



US00D512316S

(12) **United States Design Patent** (10) **Patent No.:** **US D512,316 S**
Illenberger et al. (45) **Date of Patent:** **** Dec. 6, 2005**

(54) **BOTTLE NECK**

(75) Inventors: **Michael C. Illenberger**, Downers Grove, IL (US); **Richard Hofmann**, Chicago, IL (US); **Greg McMurray**, Des Plaines, IL (US)

(73) Assignee: **Magenta Corporation**, Chicago, IL (US)

(**) Term: **14 Years**

(21) Appl. No.: **29/203,273**

(22) Filed: **Apr. 9, 2004**

Related U.S. Application Data

(63) Continuation of application No. 29/200,480, filed on Feb. 27, 2004, now Pat. No. Des. 498,144.

(51) **LOC (8) Cl.** **09-01**

(52) **U.S. Cl.** **D9/516**

(58) **Field of Search** D9/300, 505, 516, D9/522, 529, 530, 541-545, 549, 552-553, 565-566, 571-575; D28/4, 7, 76; 215/282-284, 396, 398, 400, 12.1-12.2, 13.1, 296, 298; 222/206, 214-215

(56) **References Cited**

U.S. PATENT DOCUMENTS

- D16,802 S * 7/1886 Woolf D9/505
- D18,220 S * 4/1888 Atterbury 215/382 X
- D35,165 S * 10/1901 Williams D9/544
- D76,133 S * 8/1928 Halk D9/544
- D82,259 S * 10/1930 Haupt D9/544
- D83,417 S * 2/1931 Teague D9/566
- D89,786 S * 5/1933 Nester D9/553
- D92,426 S * 6/1934 Picker D9/566
- D101,392 S * 9/1936 Oestreich D9/556
- D105,393 S * 7/1937 Mackelfresh, Jr. D7/300
- D141,023 S * 4/1945 Kunett D9/563 X
- D208,734 S * 9/1967 Du Pree D9/544 X
- D244,084 S * 4/1977 Mitchell D9/544
- D254,710 S * 4/1980 Leger D9/516
- D272,991 S * 3/1984 Thompson D9/529
- D276,792 S * 12/1984 Mansau D9/544

- D290,934 S * 7/1987 Rader D9/573
- D292,275 S * 10/1987 Windett D9/544 X
- 4,887,730 A * 12/1989 Touzani 215/381 X
- D333,619 S * 3/1993 Lemahieu D9/573
- D356,038 S * 3/1995 Biesecker D9/545 X
- D356,947 S * 4/1995 Mueller D9/300
- D362,391 S * 9/1995 Gobe D9/573
- D376,762 S * 12/1996 Fenton et al. D9/549
- D387,283 S * 12/1997 Sgariboldi D9/571 X
- D449,534 S * 10/2001 LeCoule D9/522
- D457,067 S * 5/2002 Martynov et al. D9/545 X

FOREIGN PATENT DOCUMENTS

- GB 2082553 * 7/1999
- WO DM/060934 * 8/2002

OTHER PUBLICATIONS

Duraglas Containers—Distilled Spirits . . . , Owens-Ill. Glass Co., OH, “Standard Liquor Finishes”, OIG-445 (Special Band), GCMI-1620 (Pilfer Proof Roll-On), GCMI-2800 (Comb. Cup-Cap), &GCMI-32 Constricted Cork with Bead, p. 51.*

* cited by examiner

Primary Examiner—Carol Rademaker
(74) *Attorney, Agent, or Firm*—James B. Conte

(57) **CLAIM**

The ornamental design for a bottle neck, as shown and described.

DESCRIPTION

FIG. 1 is a top, front, right perspective view of a bottle neck showing our new design;
FIG. 2 is a top plan view thereof;
FIG. 3 is a left sided elevational view thereof;
FIG. 4 is a front elevational view thereof; the rear elevational view being a mirror image; and,
FIG. 5 is a right side elevational view thereof.
The dot-dash-dot line shown in the drawings represents the boundary of the claimed design. The dashed lines shown in the drawings represent environment and form no part of the claimed design.

1 Claim, 1 Drawing Sheet

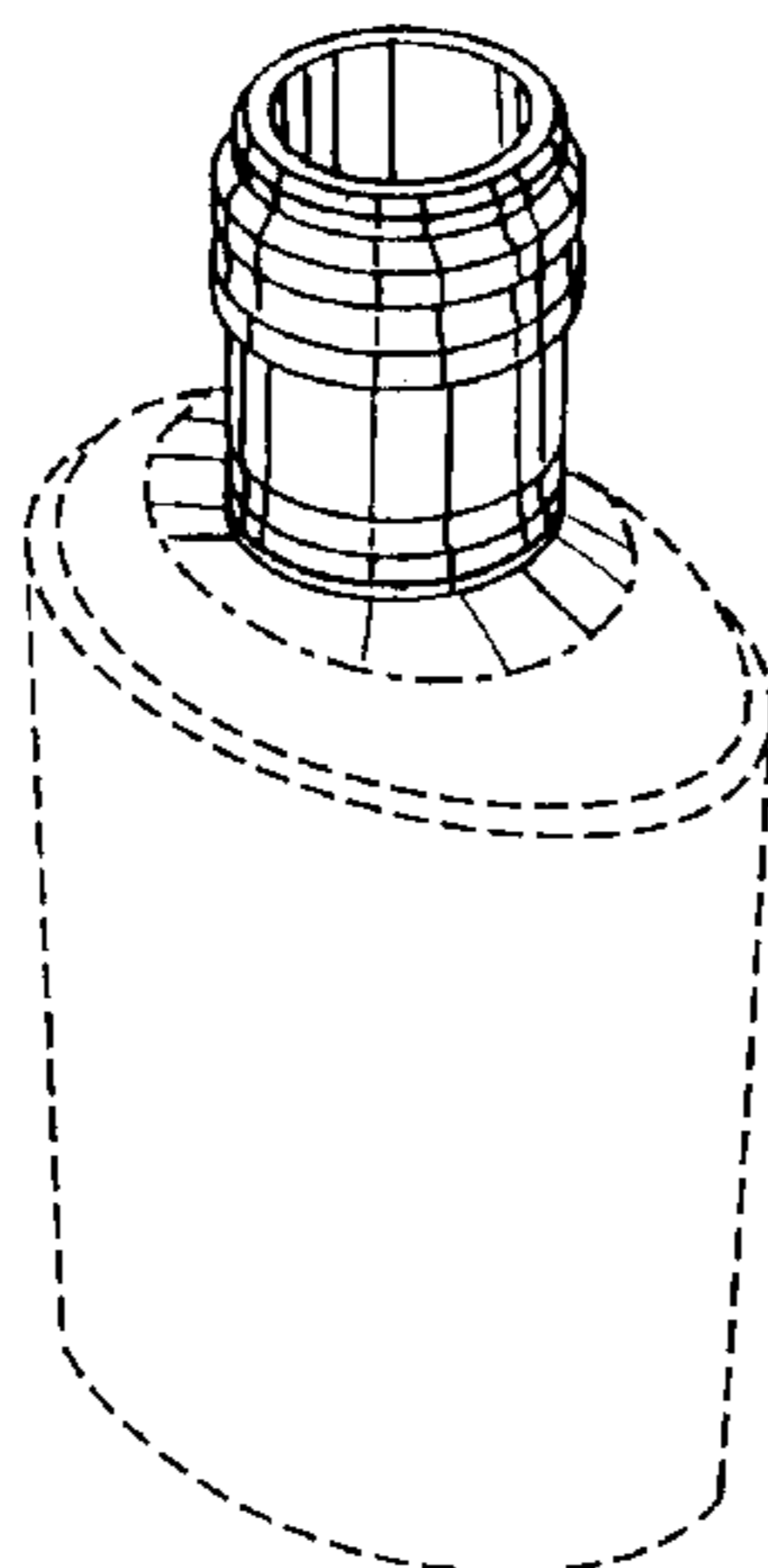


Fig. 1

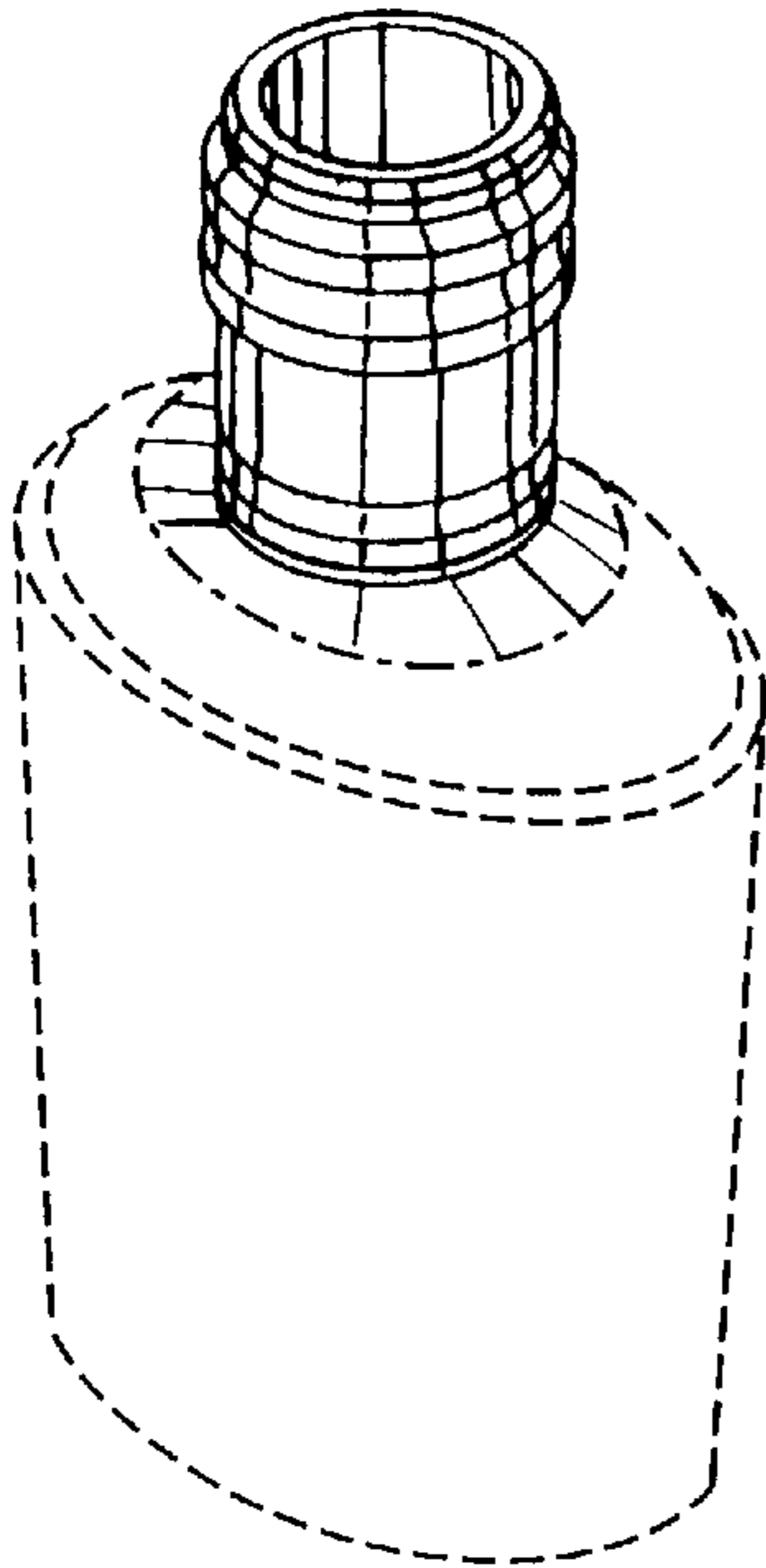


Fig. 2

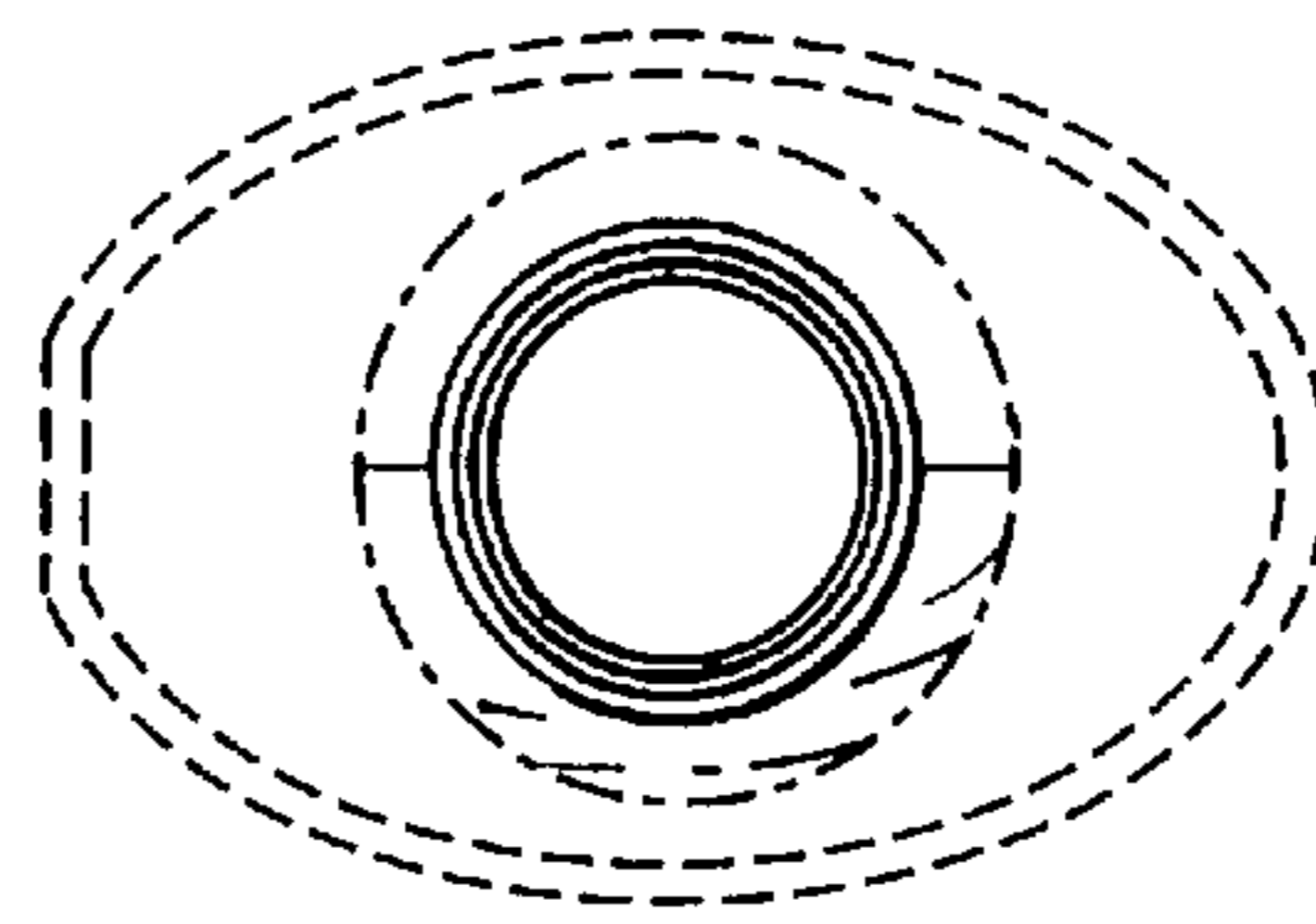


Fig. 3

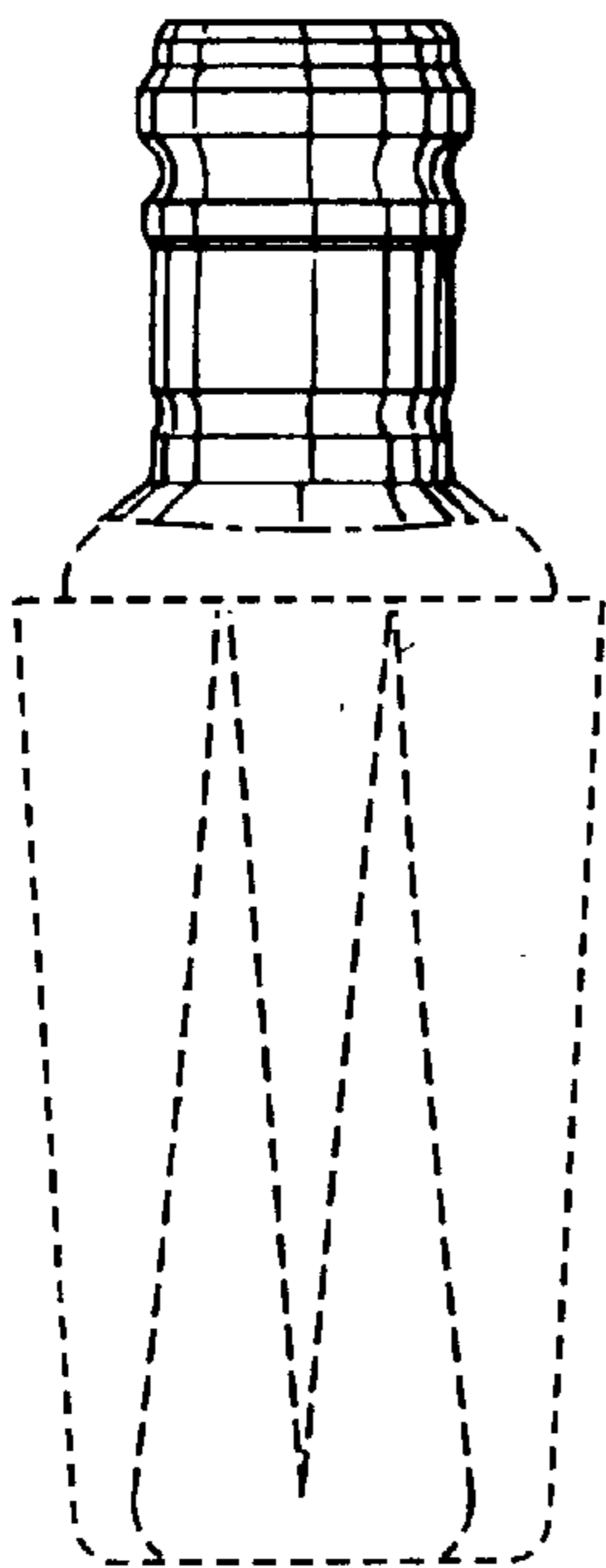


Fig. 4

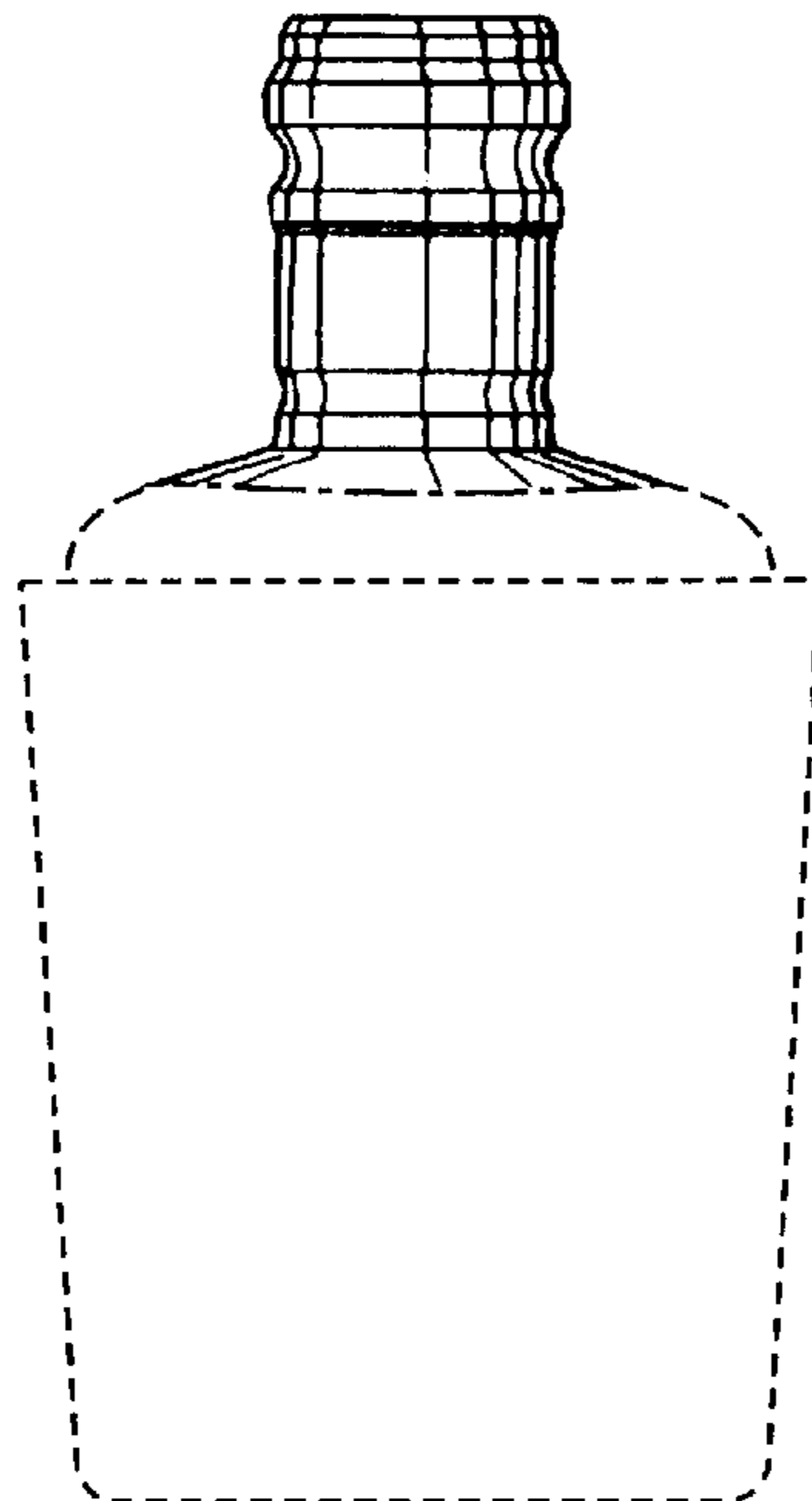


Fig. 5

