



US00D512312S

(12) **United States Design Patent** (10) **Patent No.:** **US D512,312 S**
Bretz et al. (45) **Date of Patent:** **** Dec. 6, 2005**

(54) **BOTTLE**

OTHER PUBLICATIONS

(75) Inventors: **John M. Bretz**, Crystal Lake, IL (US);
Susan L. Colten, Wilmette, IL (US);
Rachel Orland, Chicago, IL (US);
Jeffrey L. Pattee, Palatine, IL (US);
Susan Vanderwiell, Palatine, IL (US);
David Piccioli, Auburn, NH (US);
Bradley L. Allen, St. Charles, MO
(US); **Bryce Rutter**, St. Louis, MO
(US); **William Scott Portzline**,
Portland, OR (US)

“Snapple” 32 ounce Pet bottle, submitted by applicant in U.S. parent application No. 29/072,878.*

Primary Examiner—Lucy Lieberman
(74) *Attorney, Agent, or Firm*—Lars S. Johnson; James D. Ryndak

(73) Assignee: **Stokely-Van Camp, Inc.**, Chicago, IL (US)

(57) **CLAIM**

The ornamental design for a bottle, as shown and described.

(**) Term: **14 Years**

DESCRIPTION

(21) Appl. No.: **29/162,342**

(22) Filed: **Jun. 13, 2002**

(Under 37 CFR 1.47)

Related U.S. Application Data

(63) Continuation of application No. 29/072,878, filed on Jun. 4, 1997, now abandoned, which is a continuation-in-part of application No. 29/064,097, filed on Dec. 6, 1996, now abandoned.

(51) **LOC (8) Cl.** **09-01**
(52) **U.S. Cl.** **D9/500; D9/538**
(58) **Field of Search** **D9/500–505, 537,**
D9/538, 539, 540, 549–558, 434; 215/381–384,
370–375

FIG. 1 is a perspective view of a bottle showing a first embodiment of our bottle design;
FIG. 2 is a front view of the bottle depicted in FIG. 1;
FIG. 3 is a side view of the bottle depicted in FIG. 2 representing a partial rotation of the bottle about its vertical center axis from the front view depicted in FIG. 2;
FIG. 4 is another side view of the bottle depicted in FIGS. 2 and 3 representing a partial rotation of the bottle about its vertical center axis from the front view depicted in FIG. 2 and the side view depicted in FIG. 3;
FIG. 5 is another side view of the bottle depicted in FIGS. 2, 3 and 4 representing a partial rotation of the bottle about its vertical center axis from the front view depicted in FIG. 2 and the side views depicted in FIGS. 3 and 4;
FIG. 6 is a top view of the bottle depicted in FIG. 2;
FIG. 7 is a perspective view of a second embodiment of a bottle as depicted in FIG. 1;
FIG. 8 is a front view of the bottle depicted in FIG. 7;
FIG. 9 is a side view of the bottle depicted in FIG. 8 representing a partial rotation of the bottle about its vertical center axis from the front view depicted in FIG. 8;
FIG. 10 is another side view of the bottle depicted in FIGS. 8 and 9 representing a partial rotation of the bottle about its vertical center axis from the front view depicted in FIG. 8 and the side view depicted in FIG. 9;
FIG. 11 is another side view of the bottle depicted in FIGS. 8, 9 and 10 representing a partial rotation of the bottle about its vertical center axis from the front view depicted in FIG. 8 and the side views depicted in FIGS. 9 and 10; and,
FIG. 12 is a top view of the bottle depicted in FIG. 8.
The broken line environmental showing is for illustrative purposes only and does not form part of the claimed design.

(56) **References Cited**

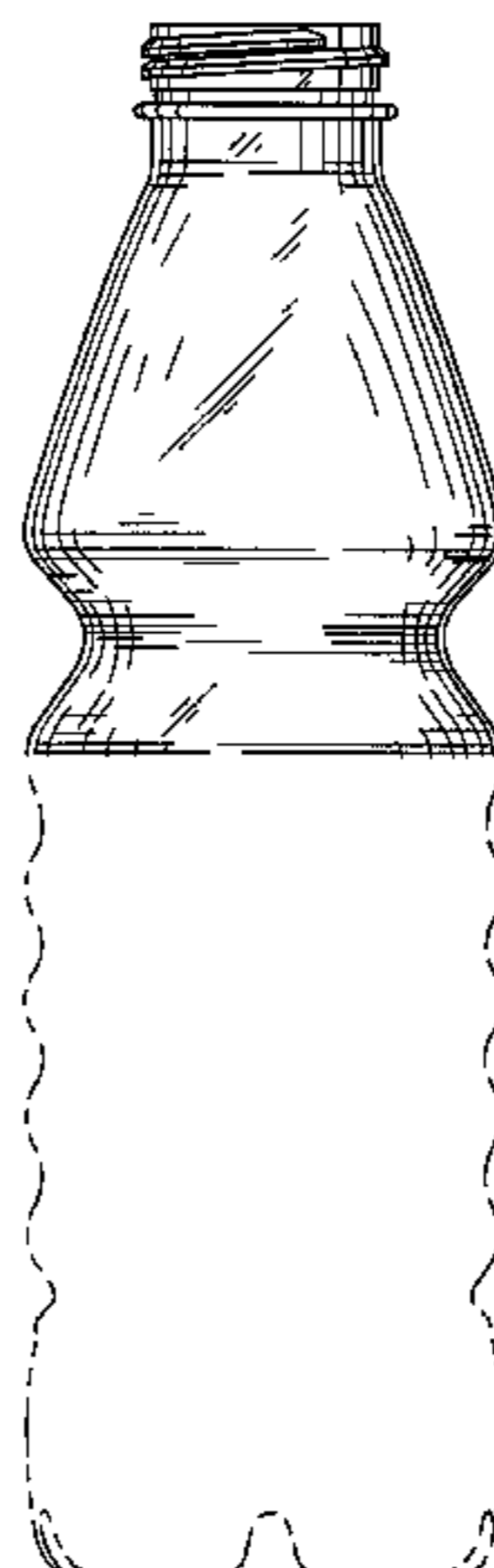
U.S. PATENT DOCUMENTS

D64,152 S 3/1924 Sweeney
(Continued)

FOREIGN PATENT DOCUMENTS

JP 1009146 1/1989
(Continued)

1 Claim, 8 Drawing Sheets



U.S. PATENT DOCUMENTS

D116,861 S 9/1939 Mas
 D159,616 S 8/1950 Hoffman
 D166,542 S 4/1952 Kunett
 D183,040 S 6/1958 Du Pree
 3,331,521 A 7/1967 Paige
 D208,504 S * 9/1967 Trombley D9/502
 D214,158 S 5/1969 Pettengill
 D217,230 S 4/1970 Kissig
 D218,019 S 7/1970 Lattraye
 D235,736 S 7/1975 Strand
 D241,715 S 10/1976 Plummer
 D269,500 S 6/1983 Bit
 D270,520 S 9/1983 Strand
 D283,794 S 5/1986 Richter
 D292,269 S 10/1987 Jacobs et al.
 D292,374 S 10/1987 Jacobs et al.
 D292,375 S 10/1987 Jacobs et al.
 D300,511 S 4/1989 Cramer
 4,850,494 A 7/1989 Howard, Jr.
 D306,262 S 2/1990 Bit
 D315,869 S 4/1991 Collette
 5,024,341 A 6/1991 Dekerle
 D320,154 S 9/1991 Alberghini et al.
 5,141,120 A 8/1992 Brown et al.
 D334,342 S * 3/1993 Thompson D9/502
 D335,084 S 4/1993 Snyder
 D344,457 S 2/1994 Prevot et al.
 D345,693 S 4/1994 Edstrom
 5,303,834 A 4/1994 Krishnakumar et al.
 D348,606 S 7/1994 Edstrom
 5,337,909 A 8/1994 Vaillencourt
 5,341,946 A 8/1994 Vaillencourt et al.
 D352,245 S * 11/1994 Krishnakumar et al. D9/538
 5,385,250 A 1/1995 Pasquale
 D370,178 S 5/1996 Petre et al.
 D372,091 S 7/1996 McCallister et al.
 D374,147 S 10/1996 Lillelund et al.
 D379,150 S 5/1997 Richardson
 D379,151 S 5/1997 Stevens
 D379,224 S 5/1997 McCallister et al.

D379,306 S 5/1997 Peykoff
 5,632,397 A 5/1997 Fandoux et al.
 D379,760 S 6/1997 Zogg
 D379,762 S 6/1997 Zogg
 5,635,229 A 6/1997 Ray
 D382,806 S 8/1997 Wilson et al.
 5,746,339 A 5/1998 Petre et al.
 5,759,653 A 6/1998 Collette et al.
 D396,413 S 7/1998 Duboff
 D396,640 S 8/1998 Conrad et al.
 D397,297 S 8/1998 Yang
 D397,614 S 9/1998 Krishnakumar et al.
 D397,941 S 9/1998 Lauth
 D398,538 S 9/1998 Fuquen et al.
 D398,539 S 9/1998 Guislain
 D399,424 S 10/1998 Young
 D401,860 S 12/1998 Mentasi Granelli
 D403,587 S 1/1999 Thornley et al.
 D404,306 S 1/1999 Steinke
 D407,649 S 4/1999 McCallister et al.
 D411,453 S 6/1999 Piccioli et al.
 5,908,128 A 6/1999 Krishnakumar et al.
 D419,882 S 2/2000 Bretz et al.
 D420,592 S 2/2000 Bretz et al.

FOREIGN PATENT DOCUMENTS

PH 5553 2/1993

OTHER PUBLICATIONS

“Gatorade Gripper” bottle, exhibited to public Jun. 29, 1996, submitted by applicant in U.S. parent application No. 29/072,878.*
 24 ounce E.D.G.E.(Ergonomic/Worm) bottle, exhibited to public Dec. 9, 1996, submitted by applicant in U.S. parent application No. 29/072,878.*
 Picture of Gatorade “The Gripper” bottle, shown to consumers Jun. 29, 1996.
 Pictures of 24 oz. E.D.G.E. (Ergonomic/Worm) Bottles, exhibited to consumers Dec. 9, 1996.

* cited by examiner

Fig. 1

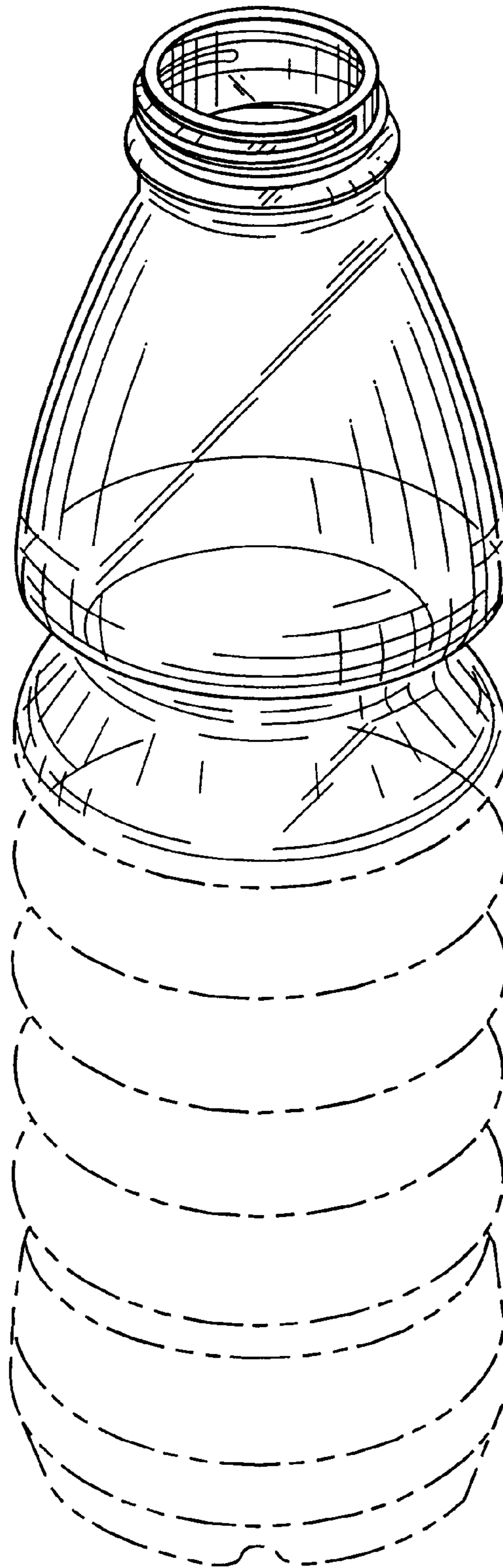


Fig. 2

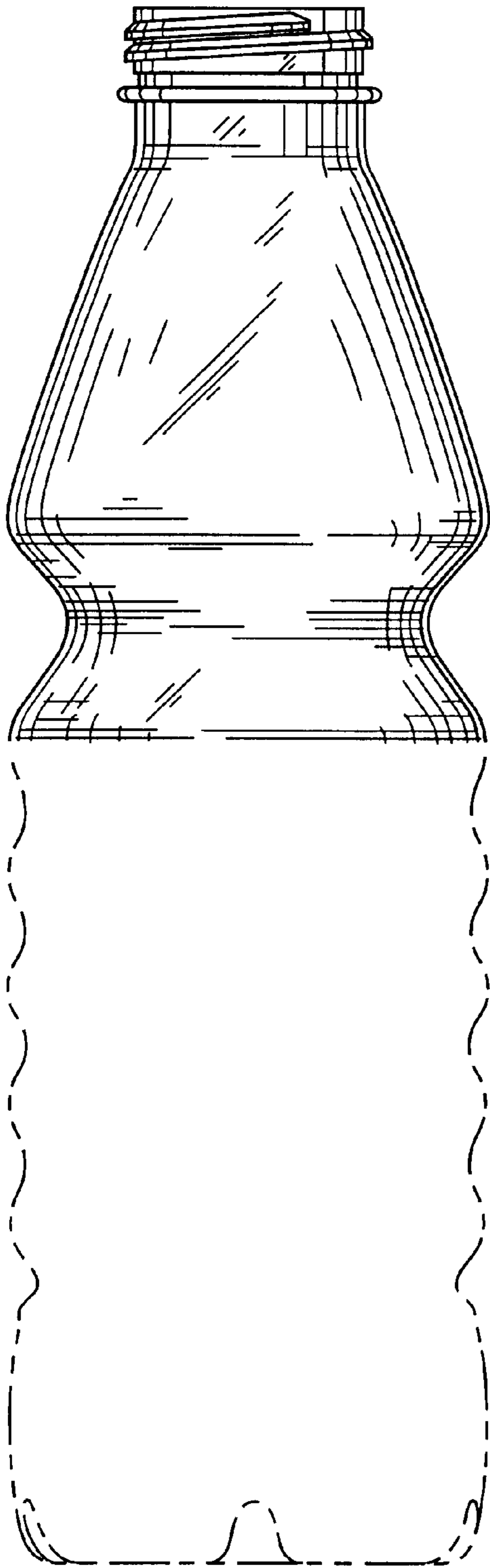


Fig. 6

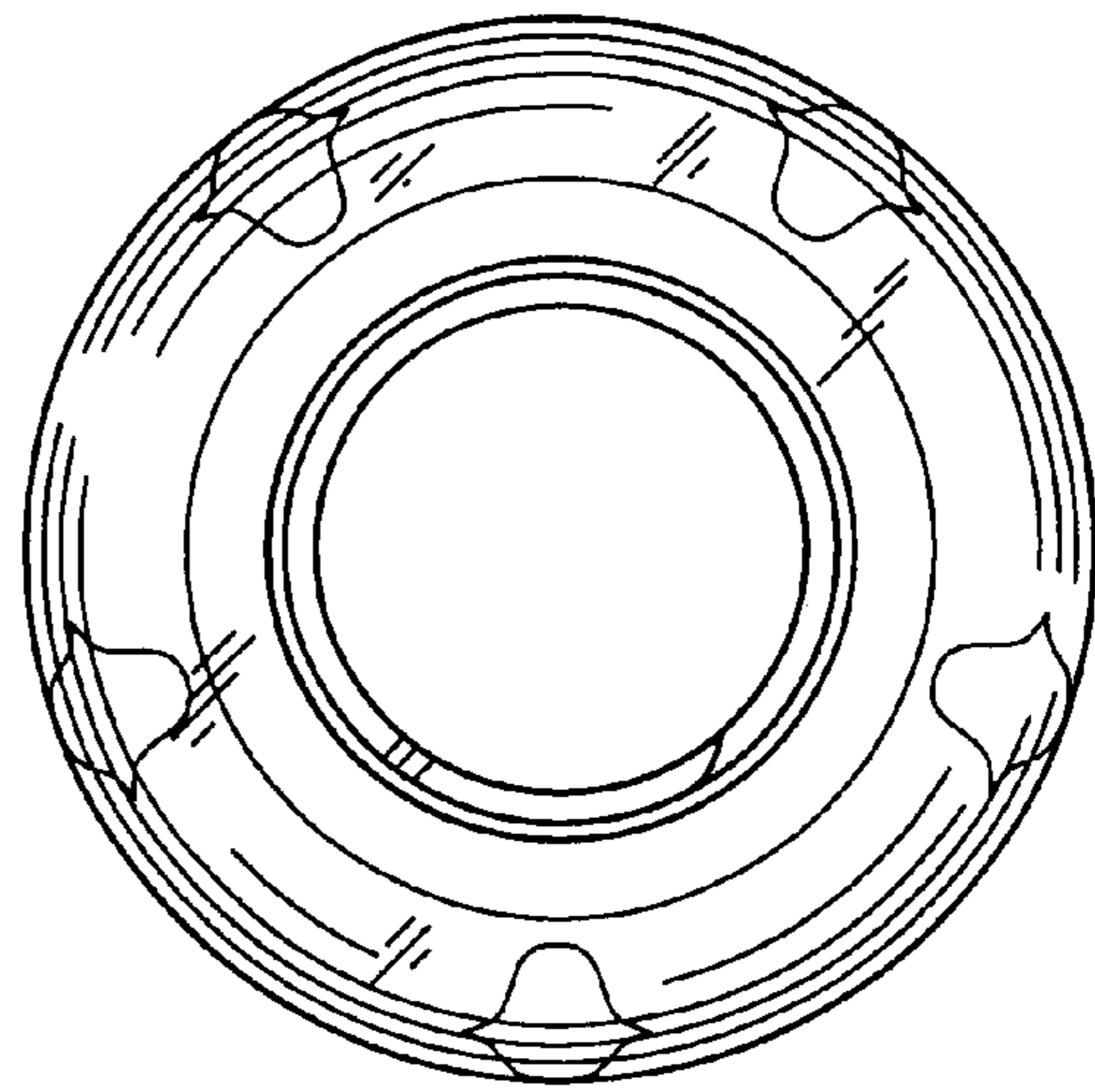


Fig. 3

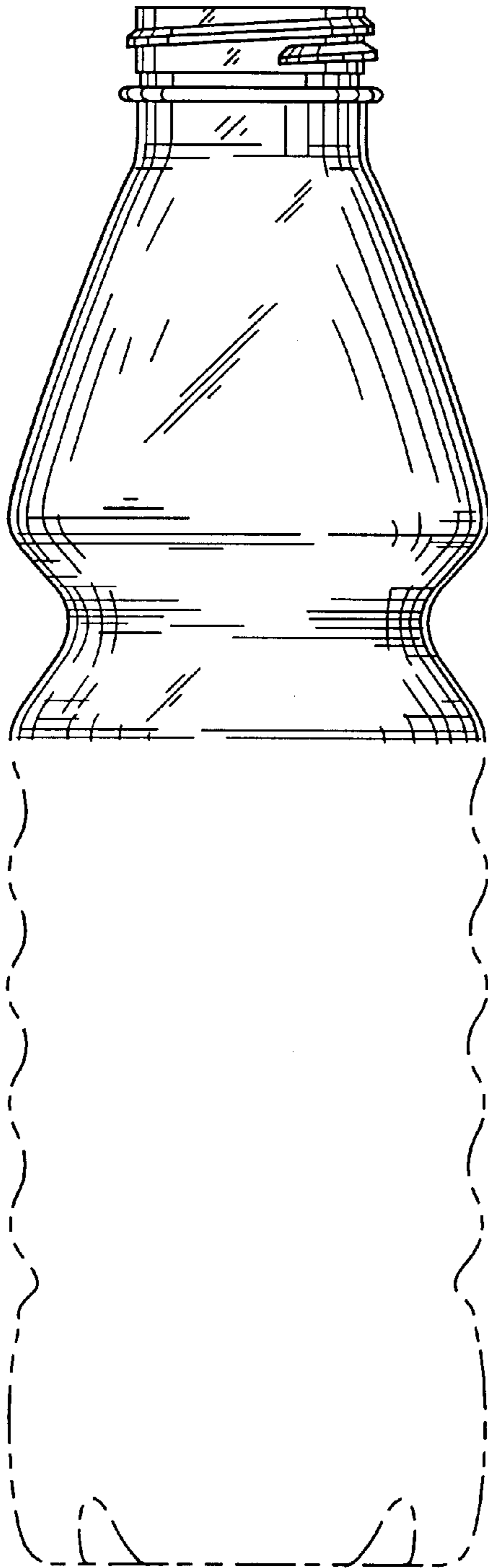


Fig. 4

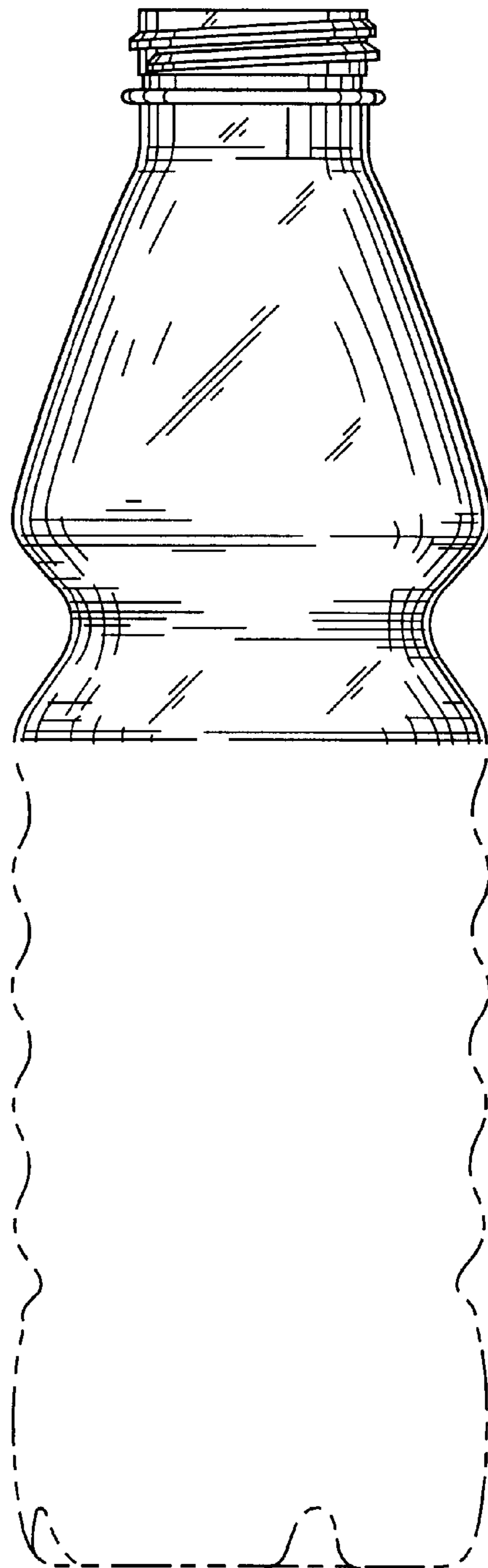


Fig. 5

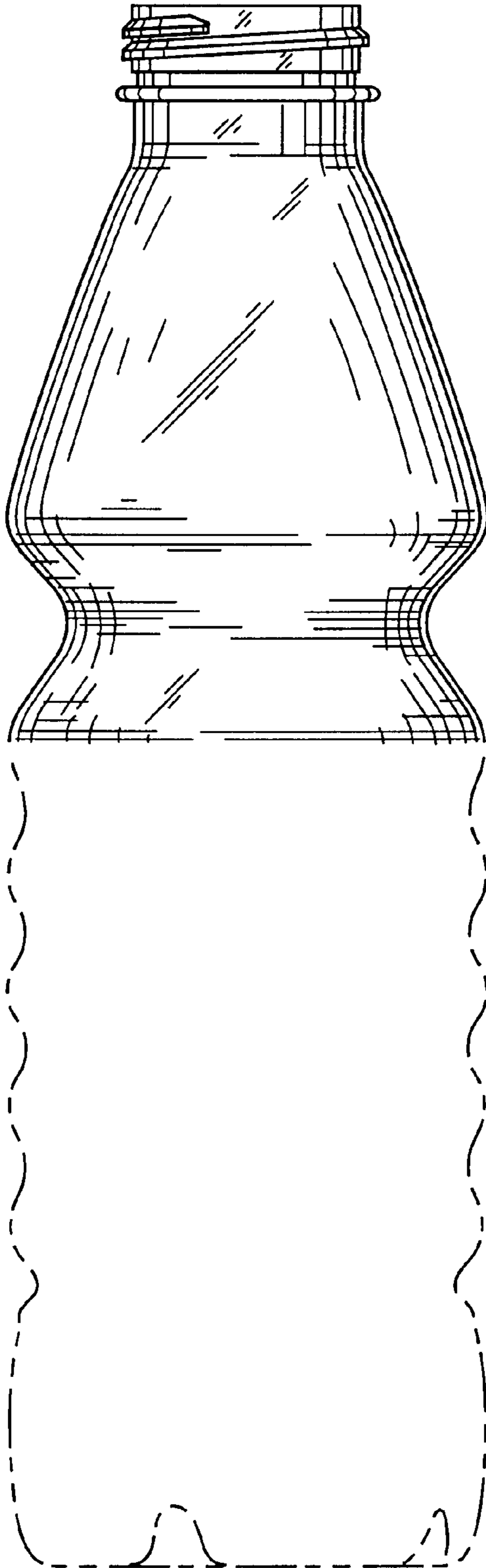


Fig. 7

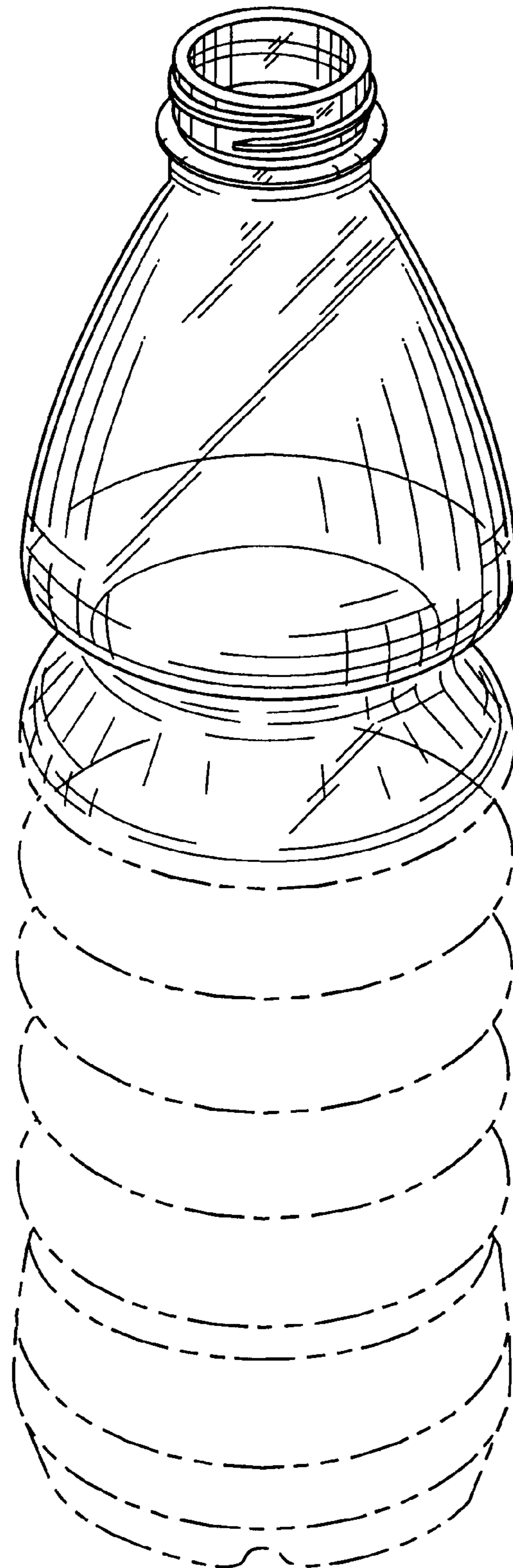


Fig. 8

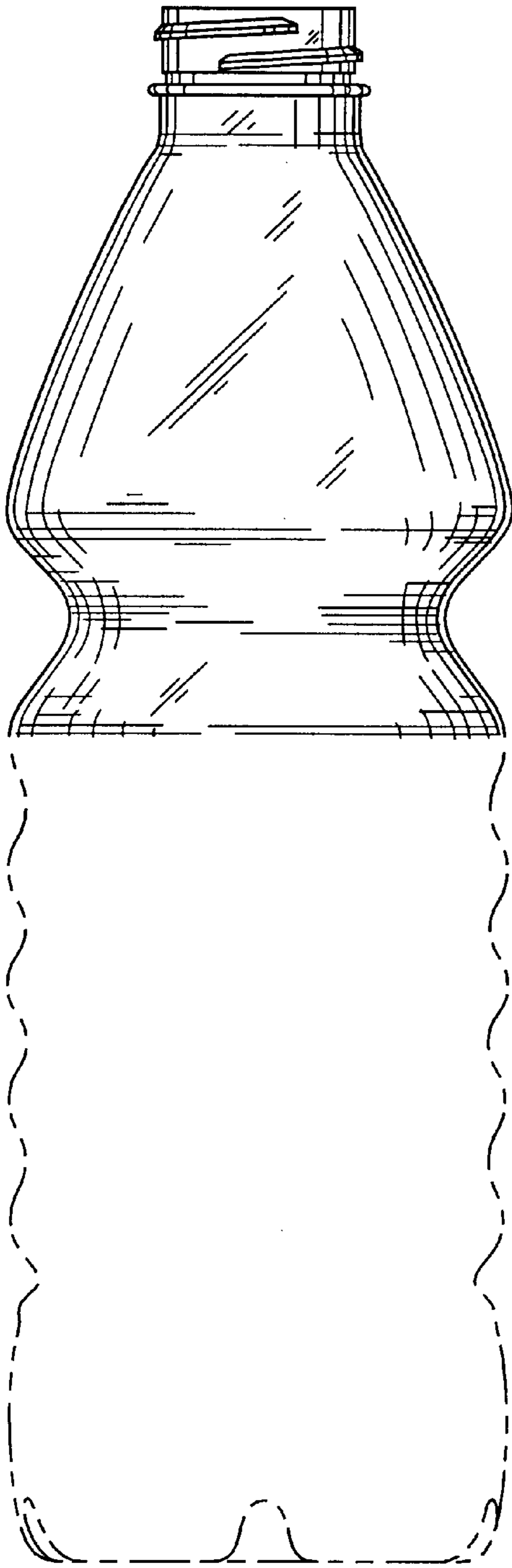


Fig. 12

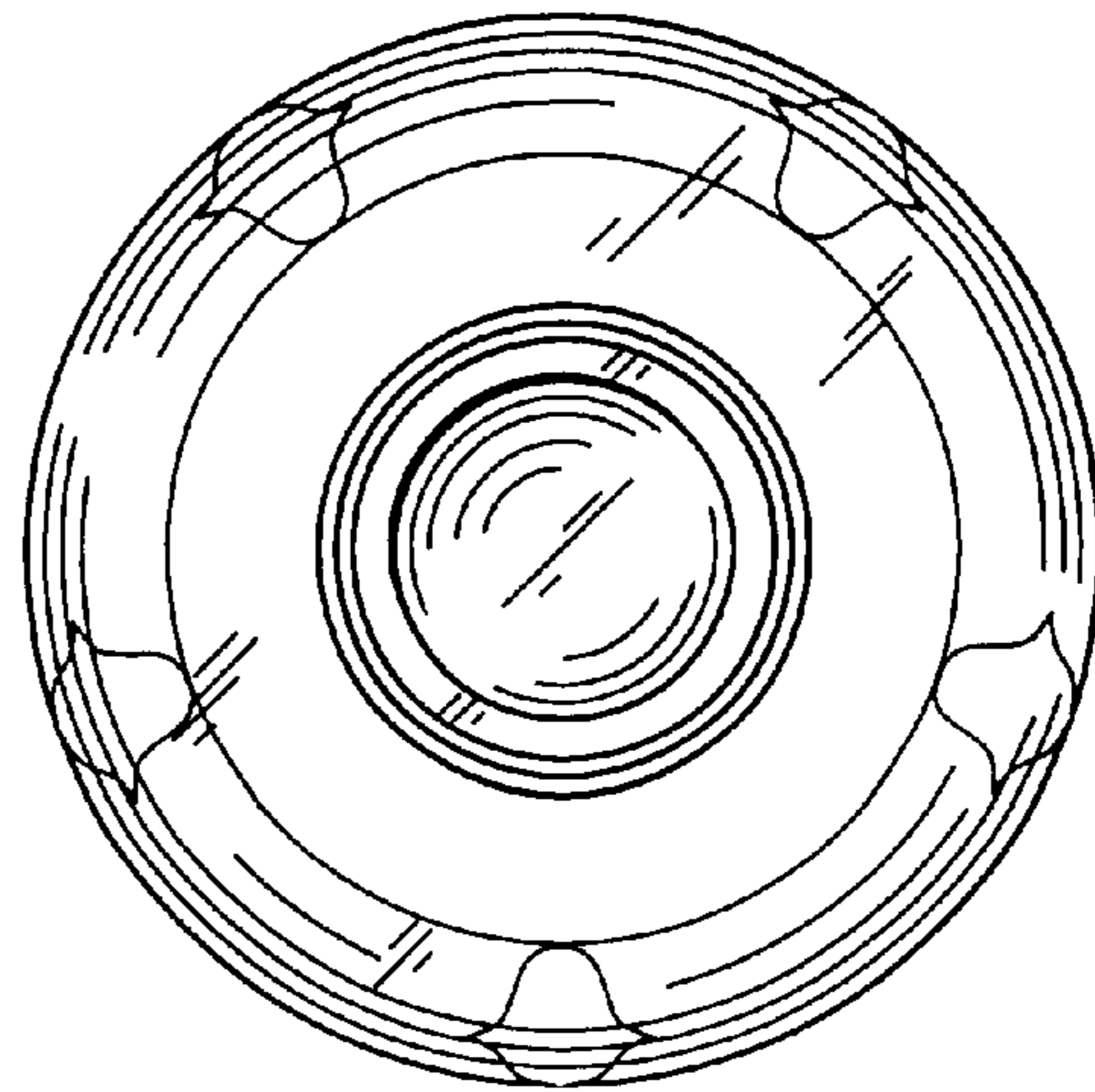


Fig. 9

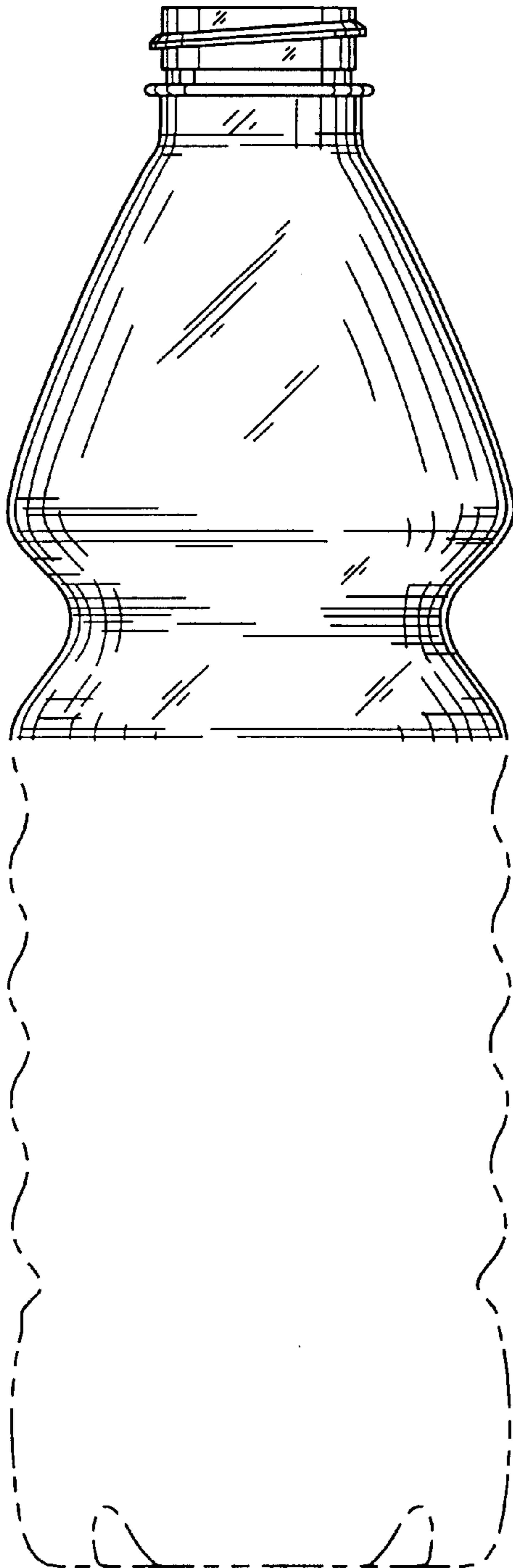


Fig. 10

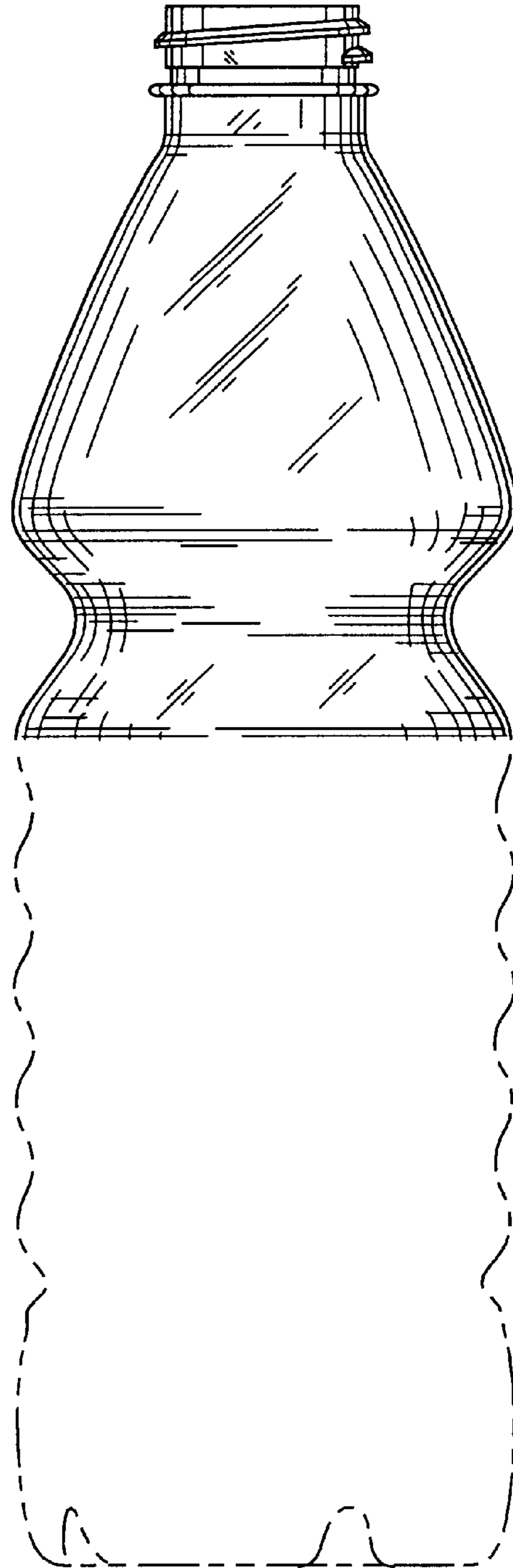


Fig. 11

