



US00D512310S

(12) **United States Design Patent** (10) **Patent No.:** **US D512,310 S**
Hite (45) **Date of Patent:** **** Dec. 6, 2005**

(54) **SNOW DOME COVER FOR A BOTTLE AND SNOW DOME COVER AND BOTTLE COMBINATION**

(75) Inventor: **Laura Hite**, Irvine, CA (US)

(73) Assignee: **Cosrich Group, Inc.**, Bloomfield, NJ (US)

(**) Term: **14 Years**

(21) Appl. No.: **29/183,810**

(22) Filed: **Jun. 16, 2003**

(51) **LOC (8) Cl.** **09-07**

(52) **U.S. Cl.** **D9/454; D9/436**

(58) **Field of Search** 215/200, 228; 220/521; D9/689, 688, 680, 516, 418, 434, 435, 436, 441, 444, 445, 451, 454, 501, 517

(56) **References Cited**

U.S. PATENT DOCUMENTS

2,548,706 A 4/1951 Corning
3,085,709 A * 4/1963 Klein 220/521

(Continued)

Primary Examiner—Robert M. Spear

Assistant Examiner—Susan Bennett Hattan

(74) *Attorney, Agent, or Firm*—Leydig, Voit & Mayer, Ltd

(57) **CLAIM**

The ornamental design for a snow dome cover for a bottle and snow dome cover and bottle combination, as shown and described.

DESCRIPTION

FIG. 1 is a perspective view of a first embodiment of a snow globe cover for a bottle cap showing my new design, the bottle being shown in phantom.

FIG. 2 is a front elevational view of the snow globe cover for a bottle cap of FIG. 1.

FIG. 3 is a rear elevational view of the snow globe cover for a bottle cap of FIG. 1.

FIG. 4 is a right side elevational view of the snow globe cover for a bottle cap of FIG. 1.

FIG. 5 is a left side elevational view of the snow globe cover for a bottle cap of FIG. 1.

FIG. 6 is a top plan view of the snow globe cover for a bottle cap of FIG. 1.

FIG. 7 is a bottom view of the snow globe cover for a bottle cap of FIG. 1.

FIG. 8 is a cross-sectional view of a snow globe cover for a bottle cap of FIG. 1, taken along line 8—8 in FIG. 6.

FIG. 9 is a cross-sectional view of a snow globe cover for a bottle cap of FIG. 1, taken along line 9—9 in FIG. 6.

FIG. 10 is a perspective view of a second embodiment of a snow globe cover for a bottle cap, the bottle being shown in phantom, the structure being the same in all respects other than the two channels in the side walls of the internal chamber of the snow globe.

FIG. 11 is an exploded perspective view of a third embodiment of a snow globe cover for a bottle cap, the bottle being shown in phantom.

FIG. 12 is a cross-sectional view of the snow globe cover for a bottle cap of FIG. 11, the cross-sectional view being the same as FIG. 8 other than the annular sleeve that grips the bottle cap.

FIG. 13 is a perspective view of the first embodiment of the snow globe in combination with a bottle.

FIG. 14 is a front elevational view of the snow globe cover and bottle combination of FIG. 13.

FIG. 15 is a rear elevational view of the snow globe cover and bottle combination of FIG. 13.

FIG. 16 is a left side elevational view of the snow globe cover and bottle combination of FIG. 13.

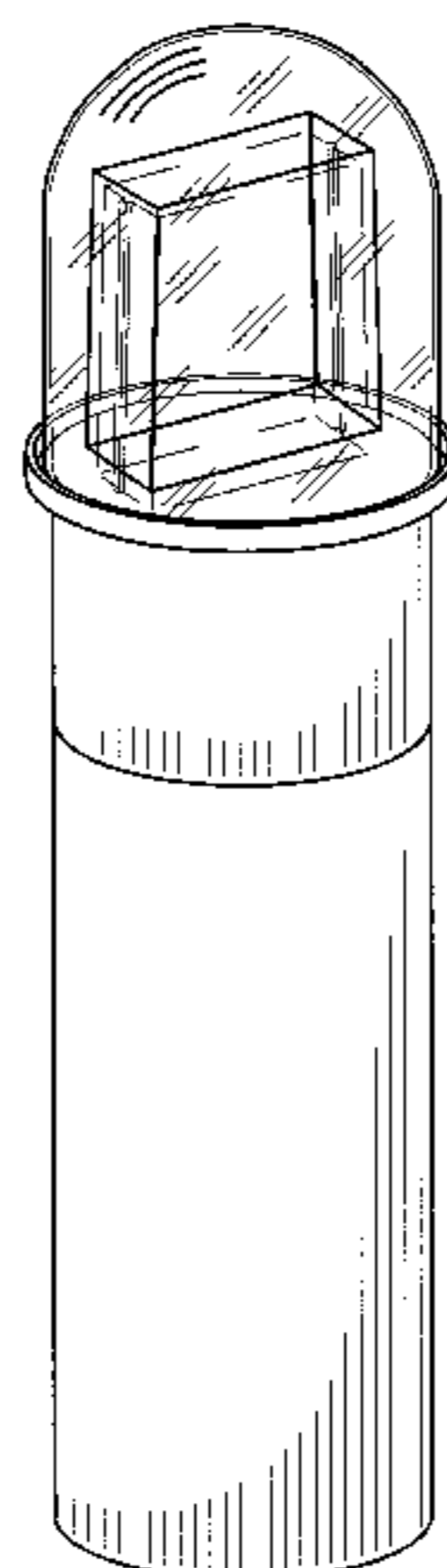
FIG. 17 is a right side elevational view of the snow globe cover and bottle combination of FIG. 13.

FIG. 18 is a top plan view of the snow globe cover and bottle combination of FIG. 13; and,

FIG. 19 is a bottom view of the snow globe cover and bottle combination of FIG. 13.

The phantom line showing of a bottle is for illustrative purposes only and forms no part of the claimed design.

1 Claim, 10 Drawing Sheets



US D512,310 S

Page 2

U.S. PATENT DOCUMENTS

D246,893 S	*	1/1978	Eron	D9/689	D378,057 S	*	2/1997	Dikowitz	D9/418
4,804,096 A	*	2/1989	Harding	215/228	D388,320 S	*	12/1997	Lamb	D9/435
D318,222 S	*	7/1991	Hsiung	D9/418	5,713,147 A		2/1998	Johnson		
D322,750 S	*	12/1991	Sommer	D9/688	D395,597 S	*	6/1998	Lamb	D9/434
5,261,848 A		11/1993	Kaplan et al.			5,853,824 A		12/1998	Liu		
D347,992 S	*	6/1994	Schmidt	D9/516	6,027,774 A		2/2000	Fine et al.		
5,442,869 A		8/1995	McDarren et al.			D475,293 S	*	6/2003	Abrams	D9/441
D369,497 S	*	5/1996	Seddon	D9/436	D498,674 S	*	11/2004	Smouha	D9/418

* cited by examiner

FIG. 1

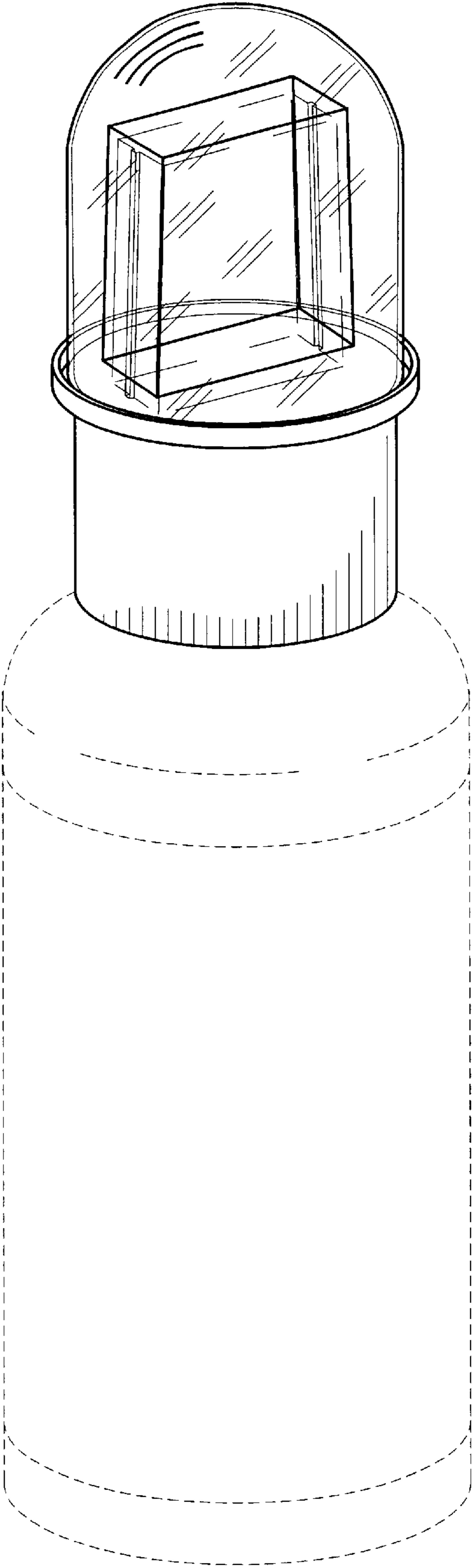


FIG. 2

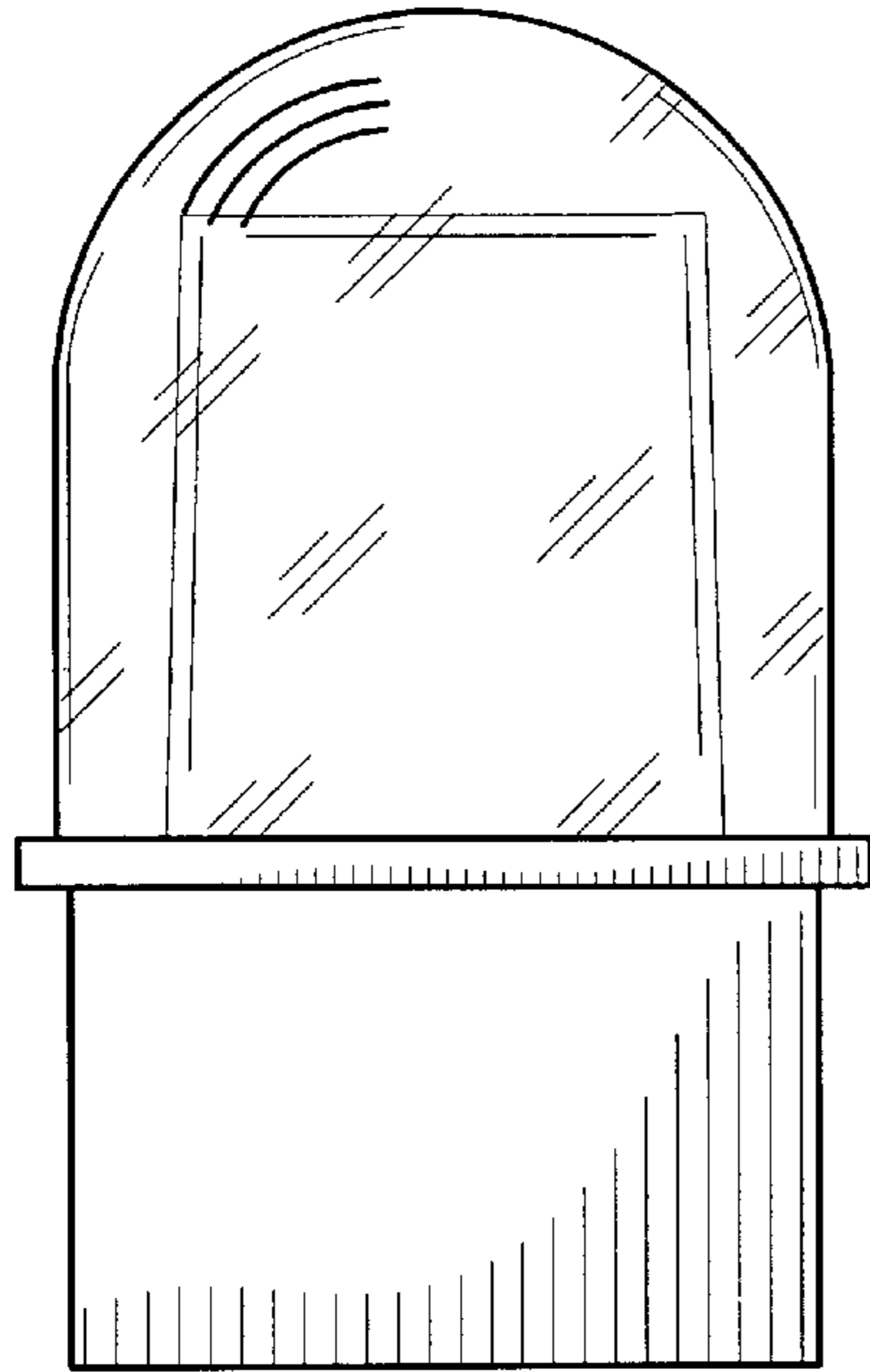


FIG. 3

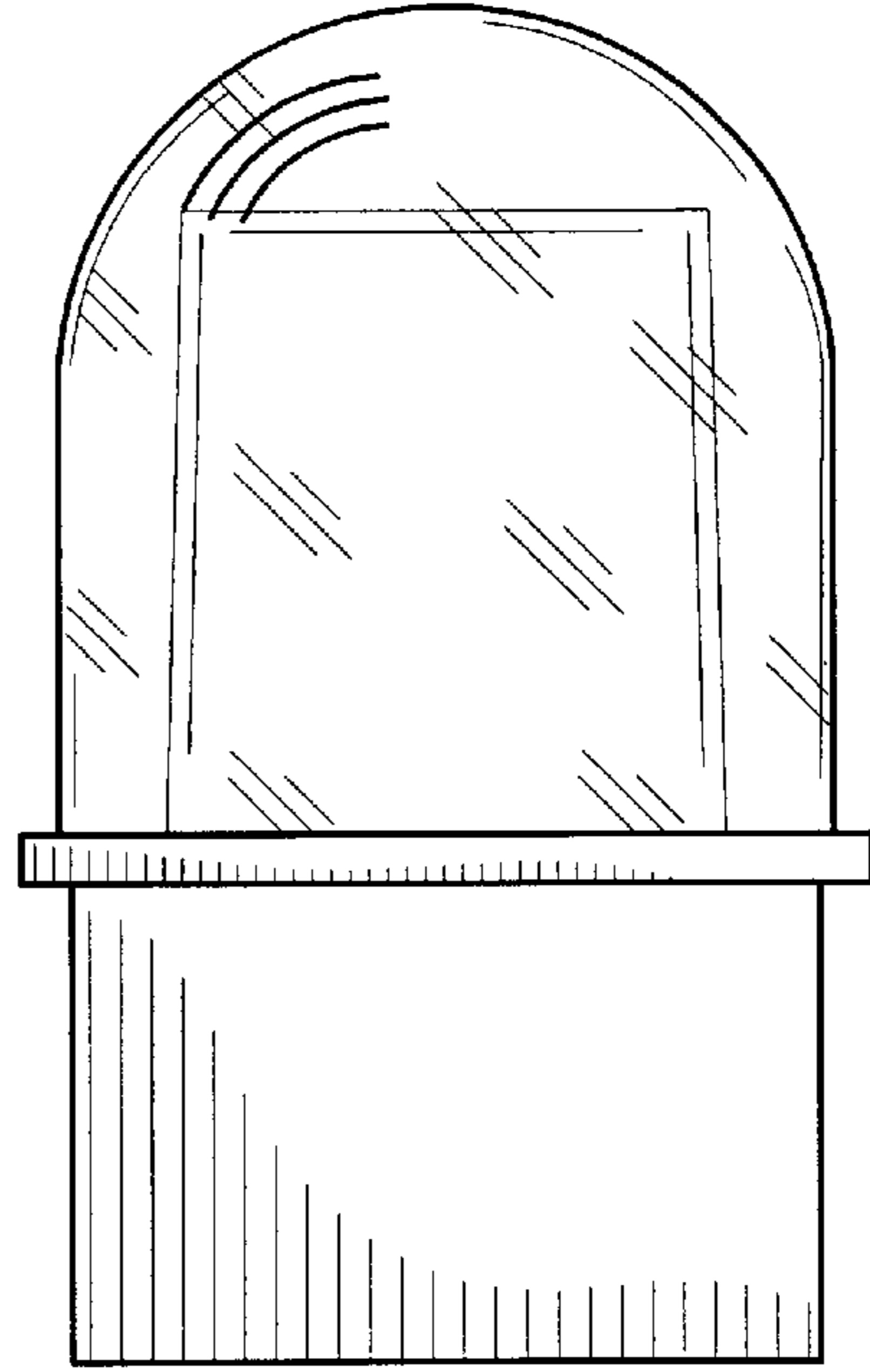


FIG. 4

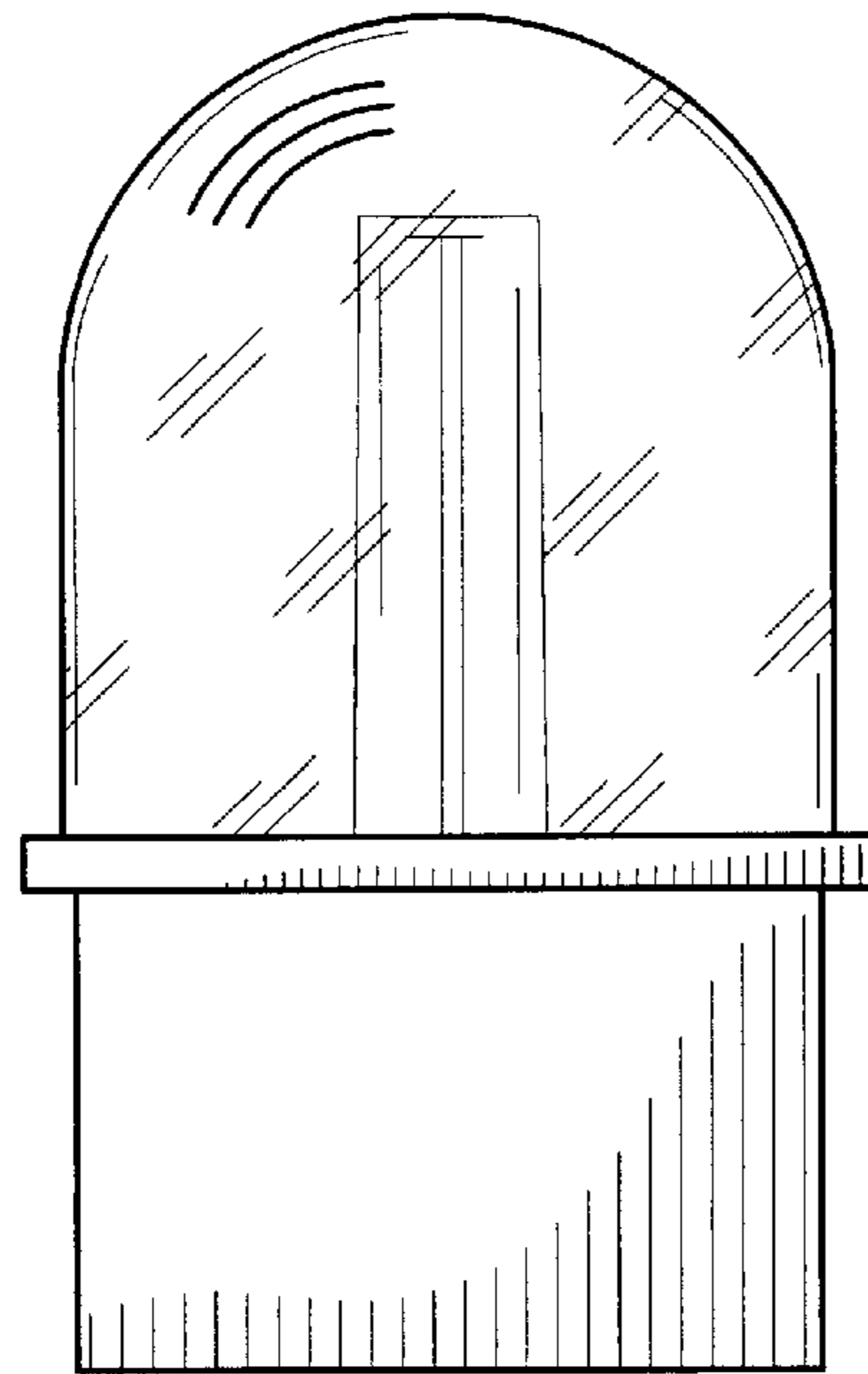


FIG. 5

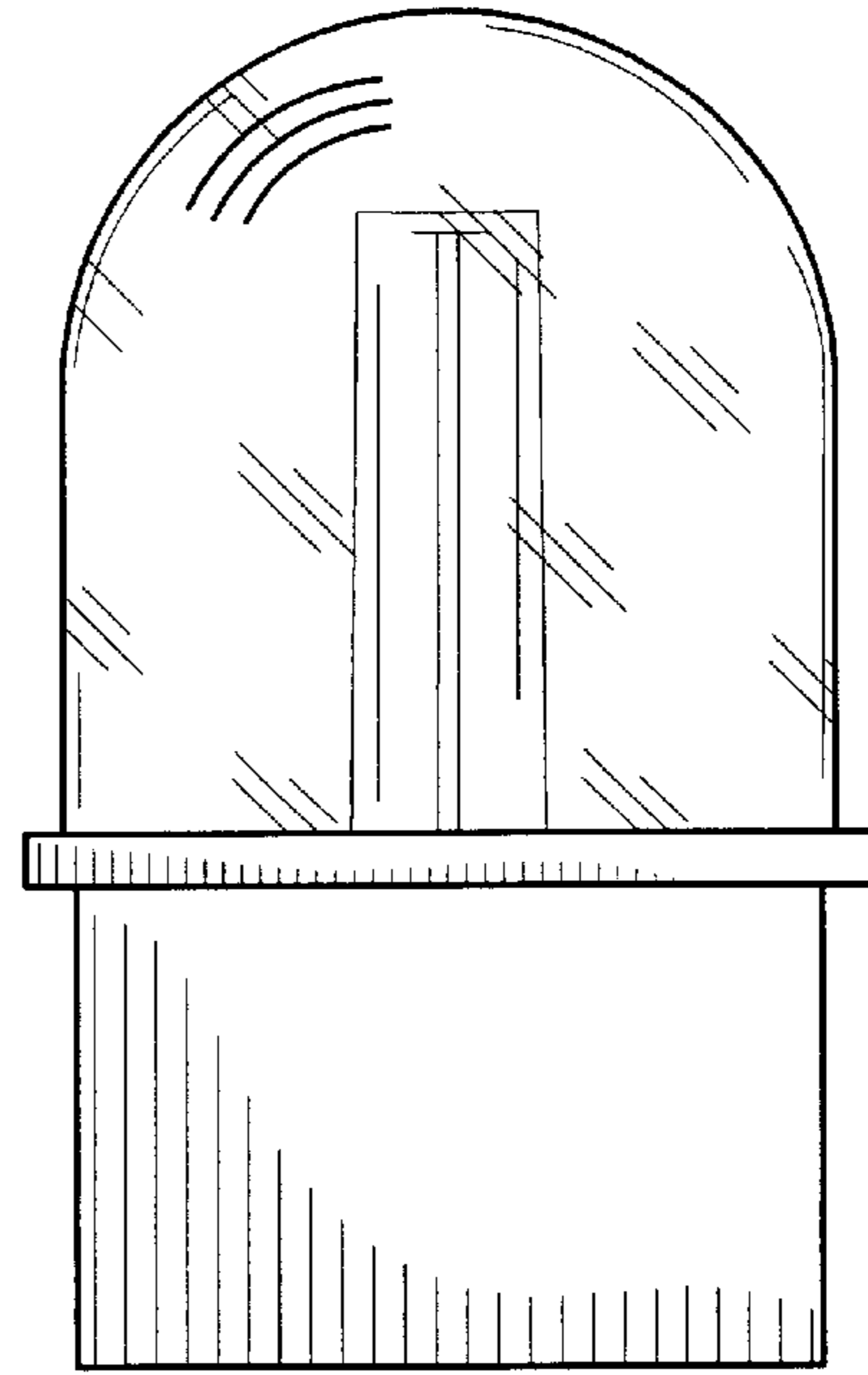


FIG. 6

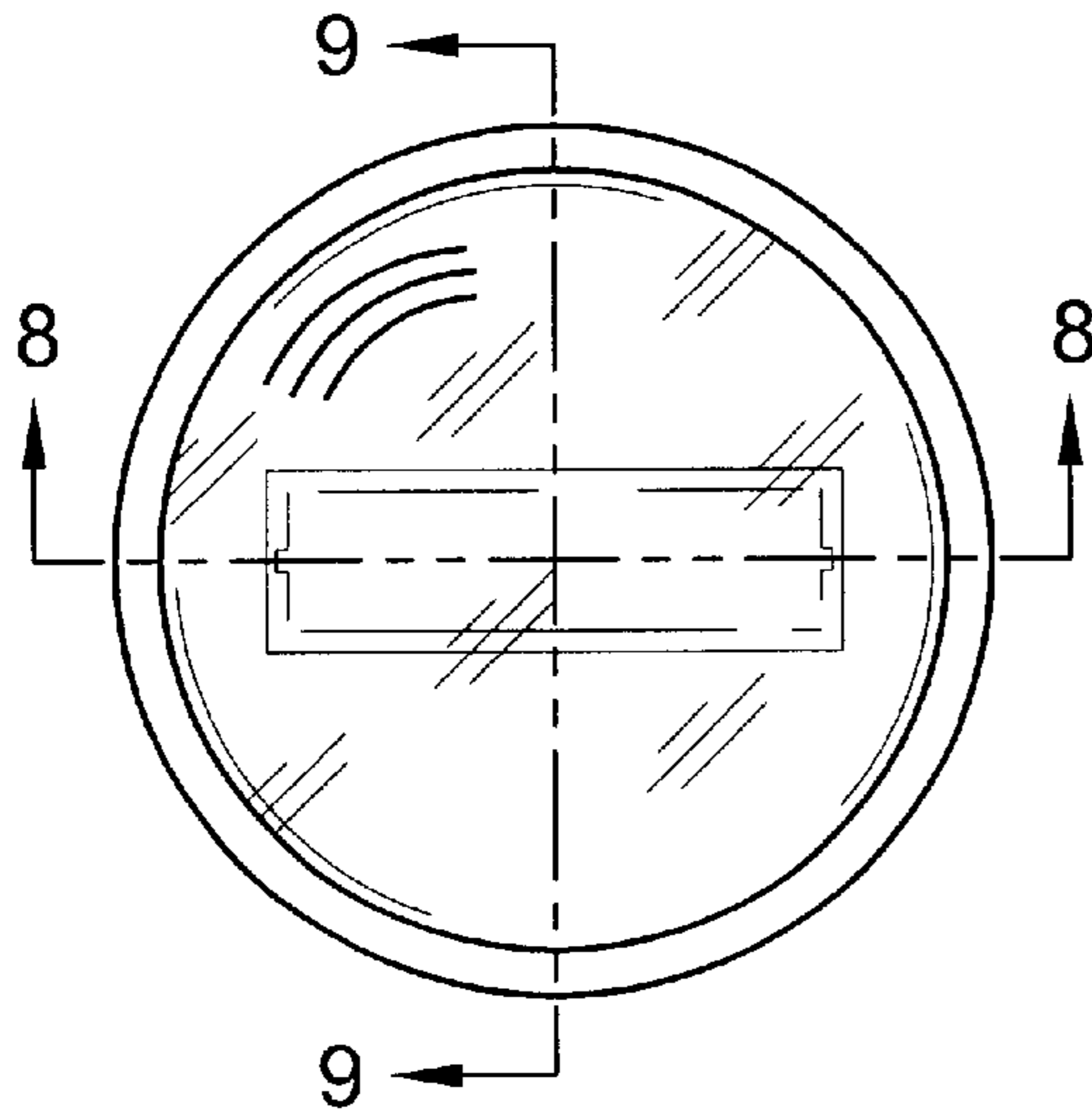


FIG. 7

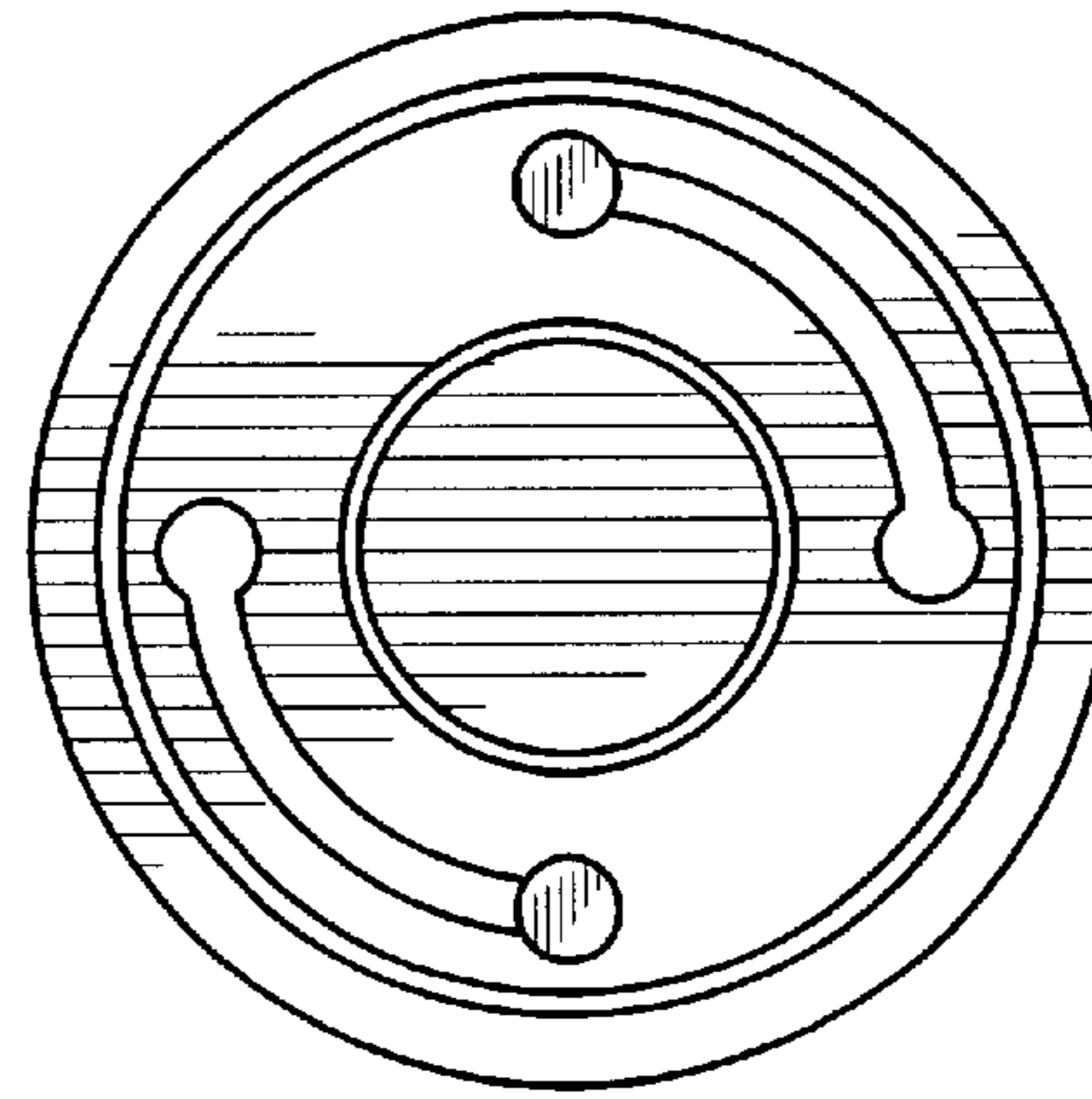


FIG. 8

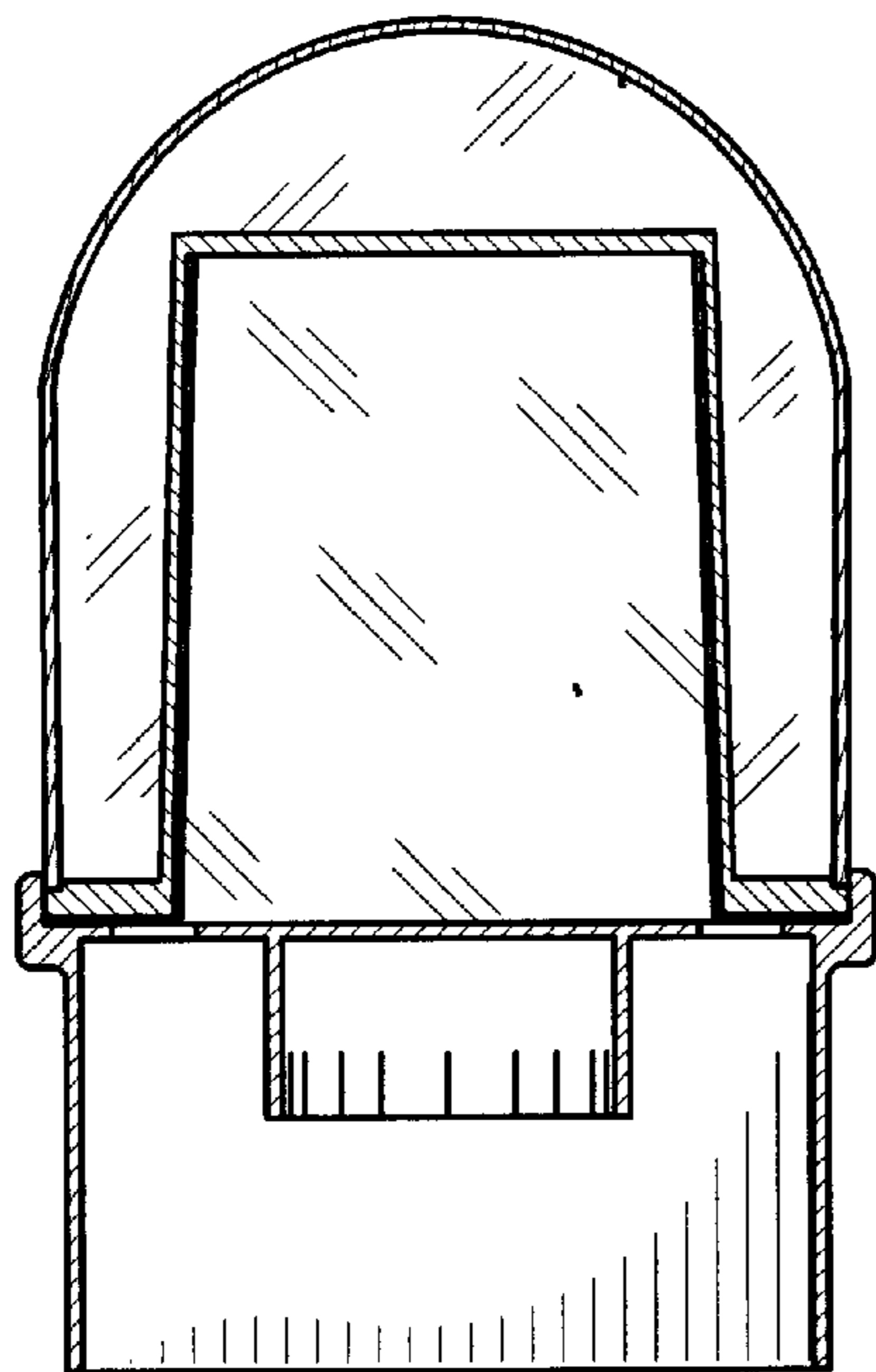


FIG. 9

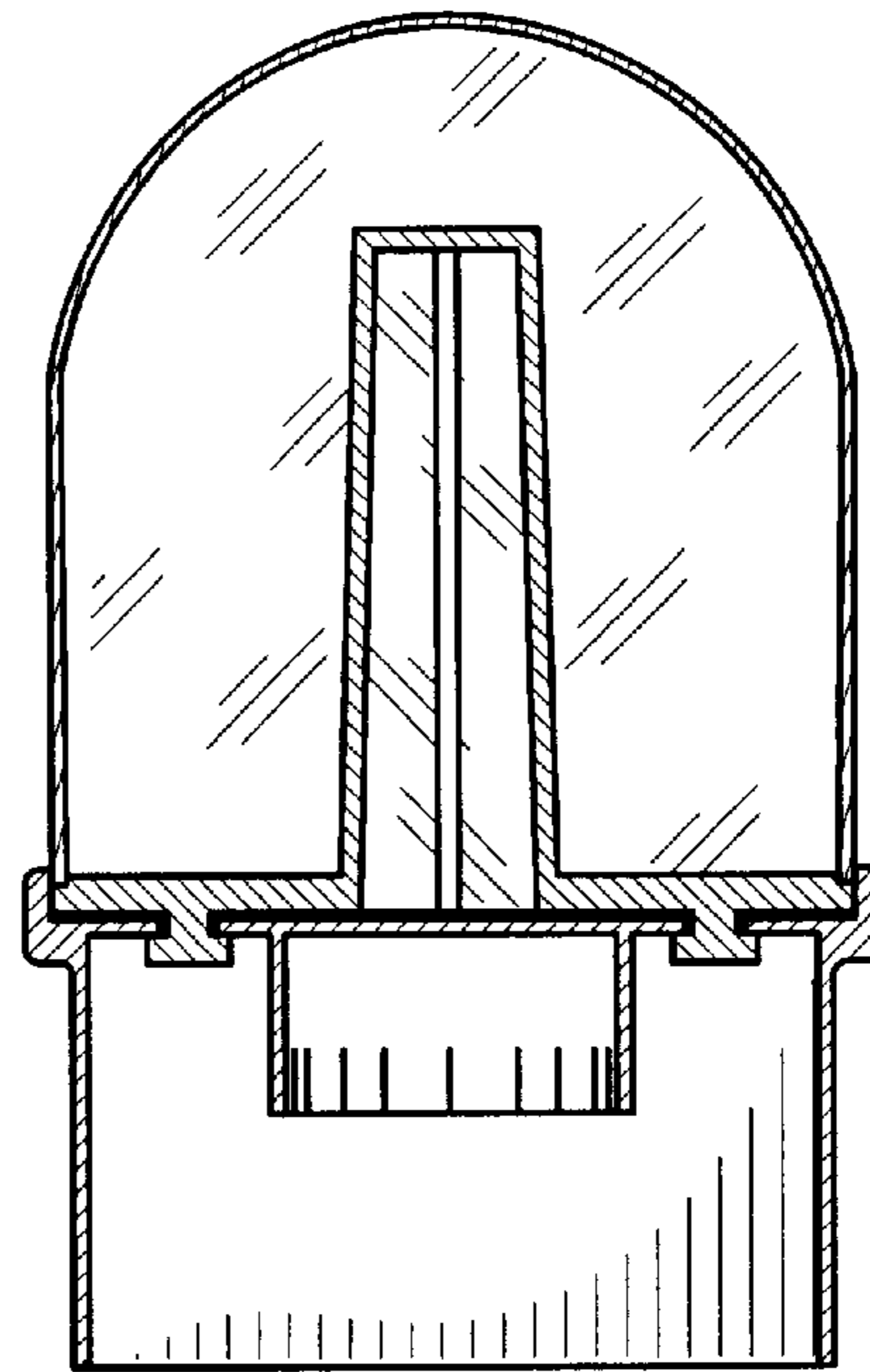


FIG. 10

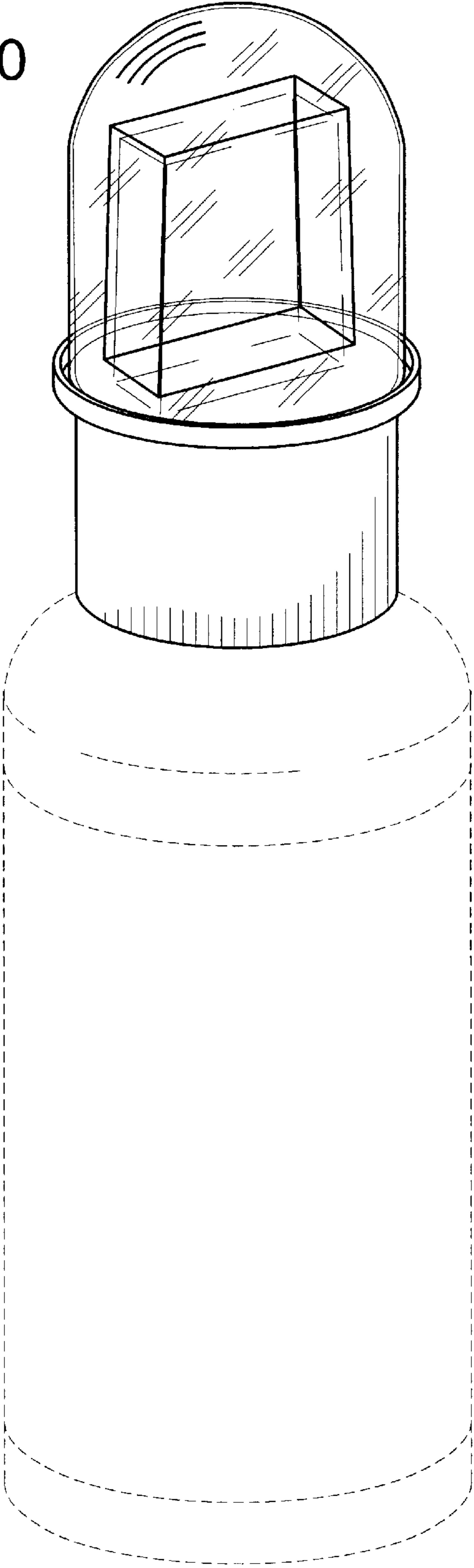


FIG. 11

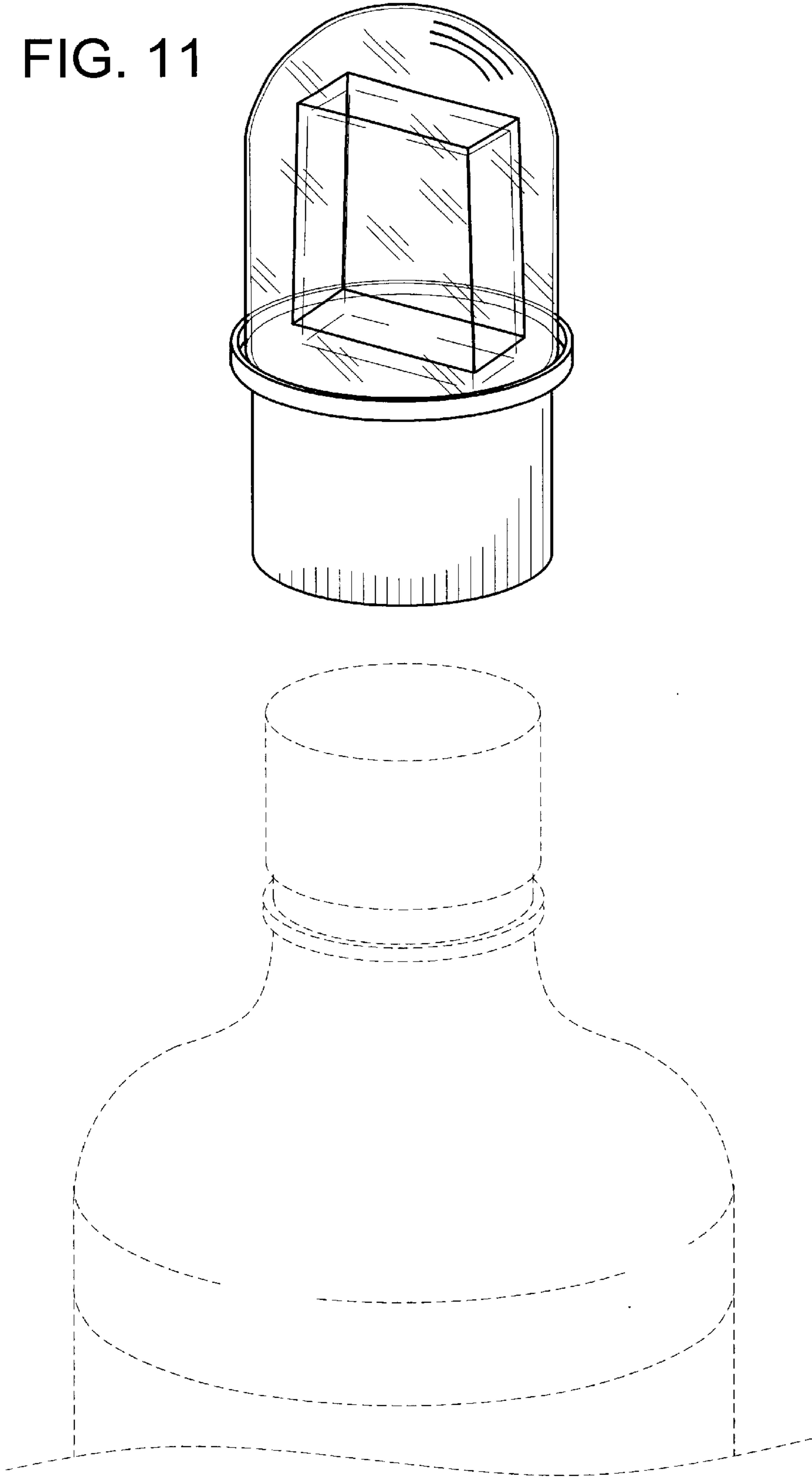


FIG. 12

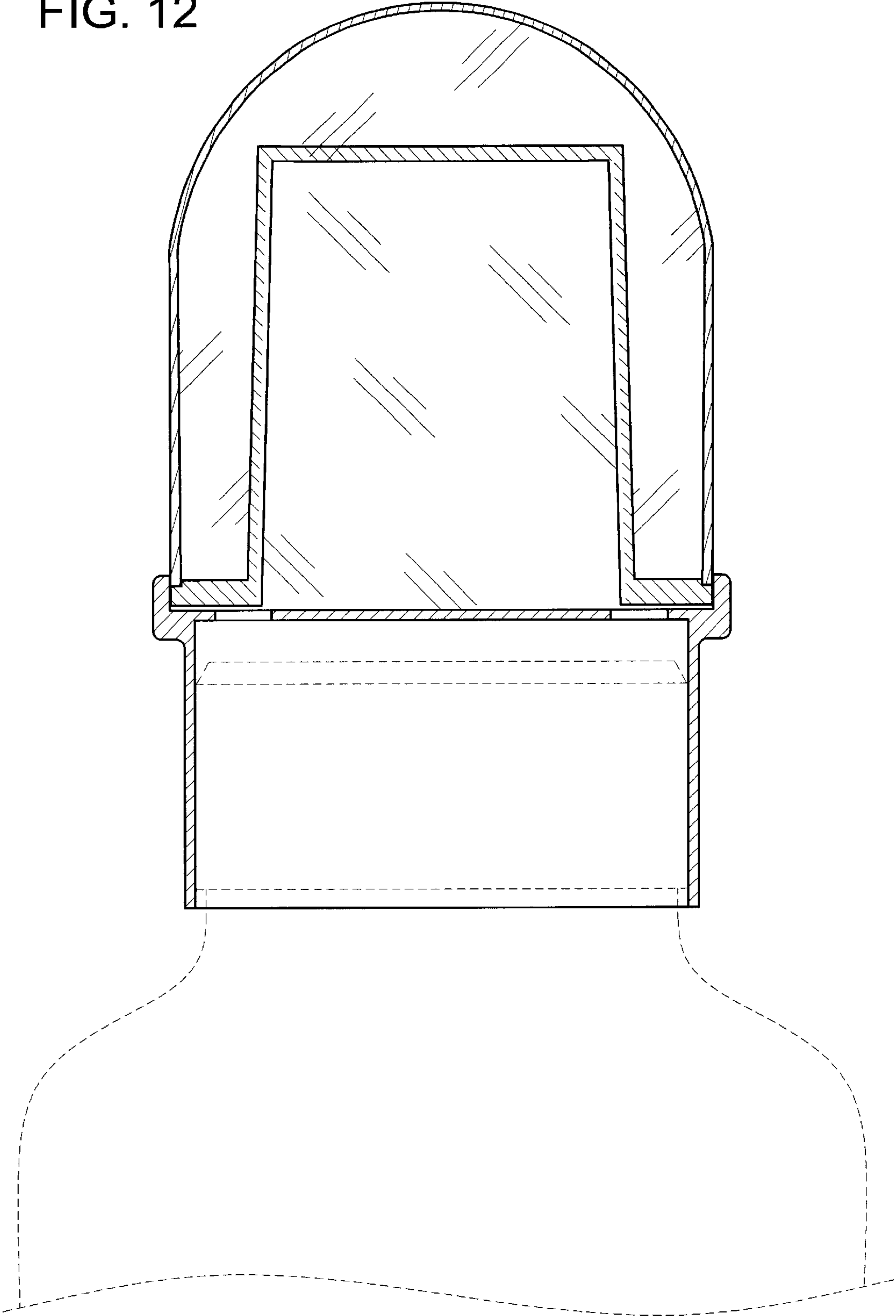


FIG. 13

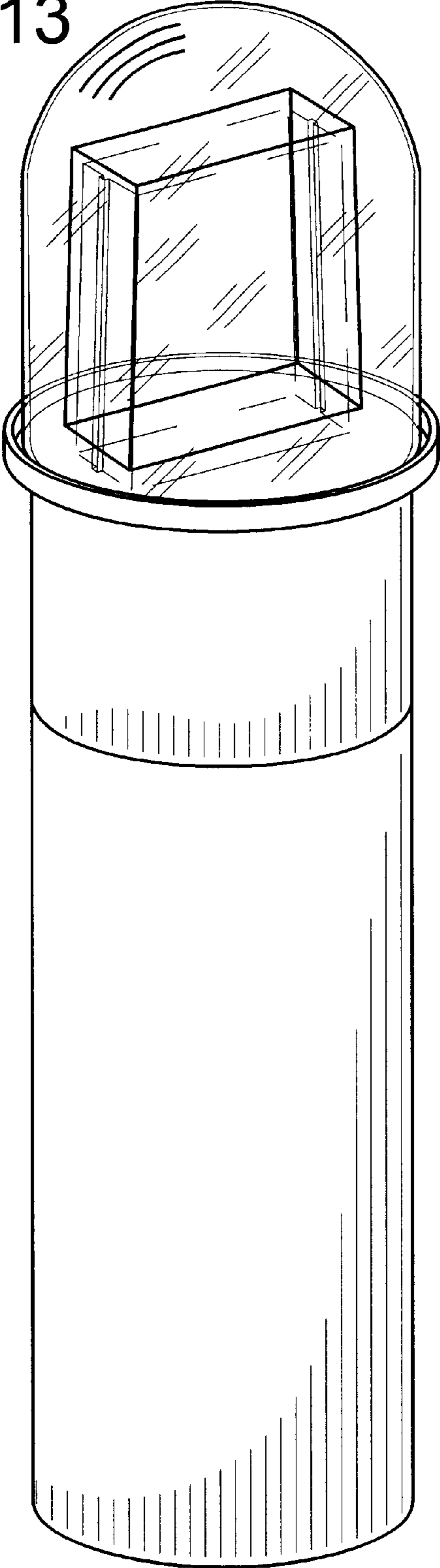


FIG.14

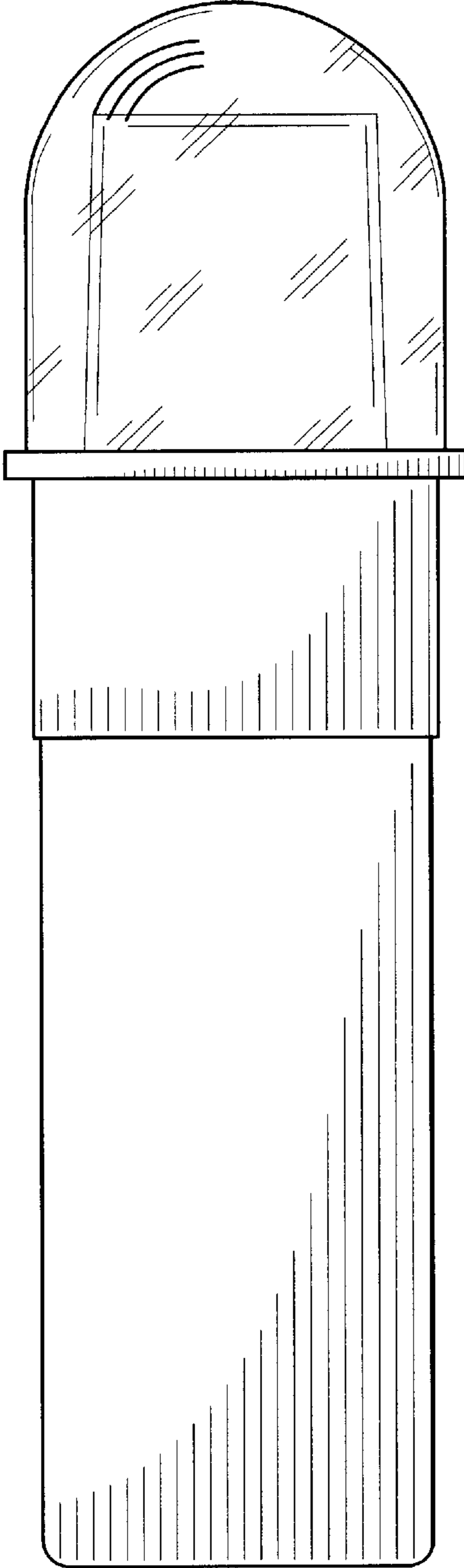


FIG. 15

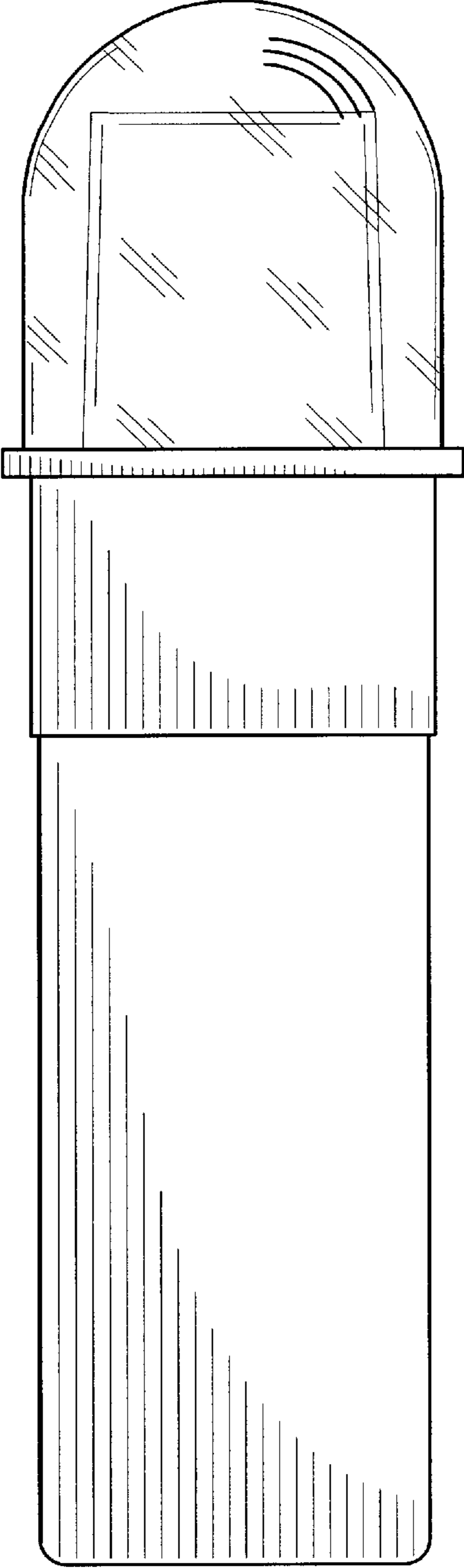


FIG. 16

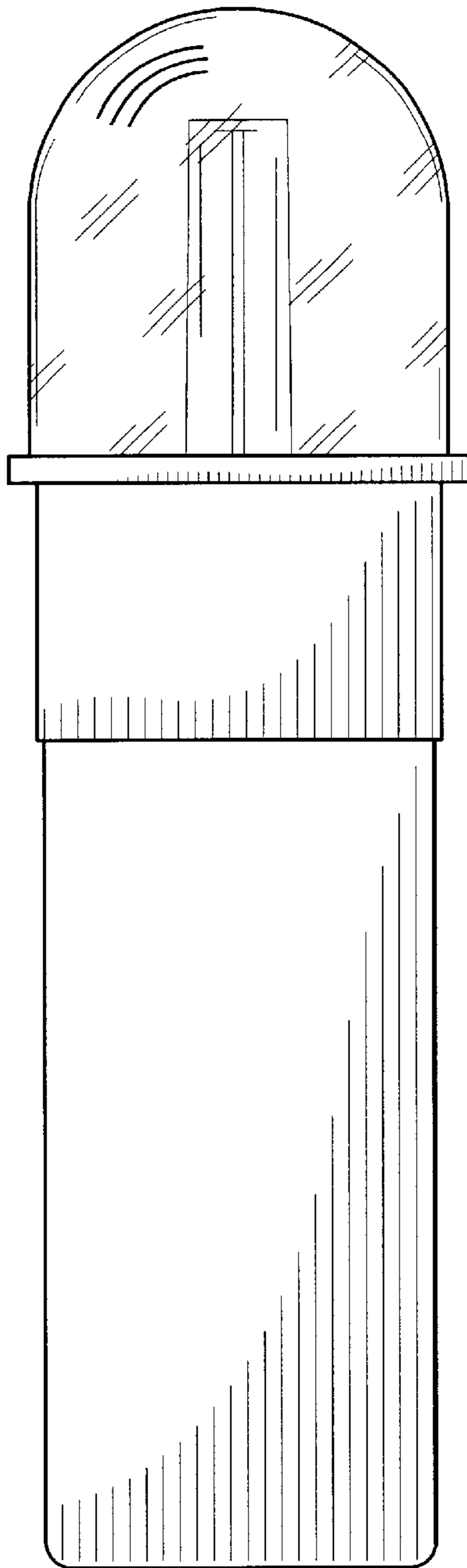


FIG. 17

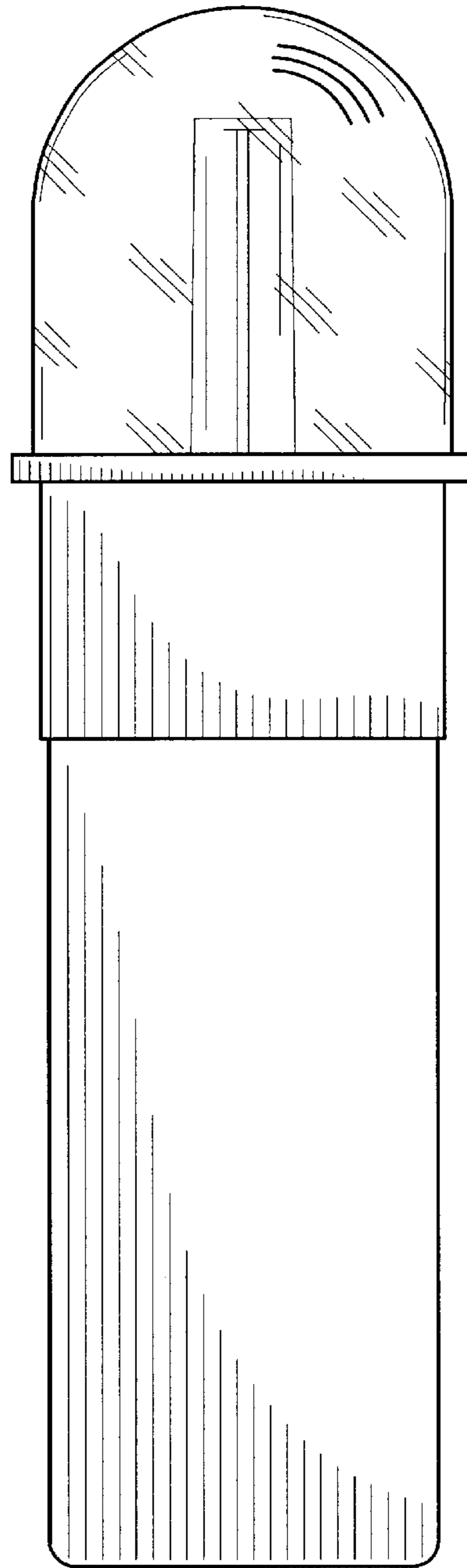


FIG. 18

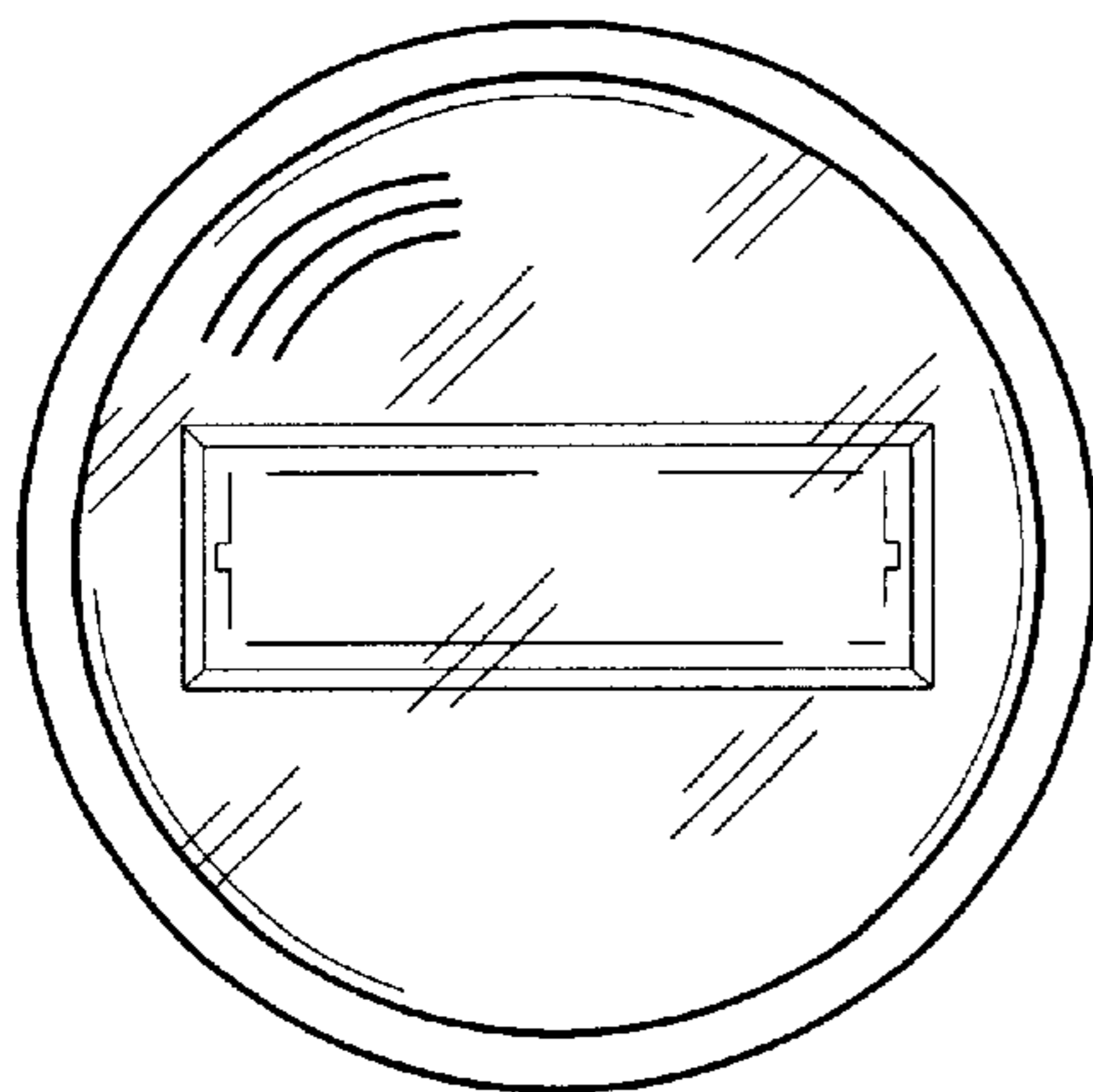


FIG. 19

