



US00D512309S

(12) **United States Design Patent**  
**Geier**

(10) **Patent No.: US D512,309 S**

(45) **Date of Patent: \*\* Dec. 6, 2005**

(54) **SPRAY CAP**

(75) **Inventor: Adalberto Geier, Calceranica al Lago (IT)**

(73) **Assignee: Coster Tecnologie Speciali S.p.A., Calceranica al Lago (IT)**

(\*\*) **Term: 14 Years**

(21) **Appl. No.: 29/220,341**

(22) **Filed: Dec. 29, 2004**

**Related U.S. Application Data**

(62) **Division of application No. 29/187,588, filed on Aug. 4, 2003.**

(51) **LOC (8) Cl. .... 09-07**

(52) **U.S. Cl. .... D9/448**

(58) **Field of Search ..... D9/448, 434-447, D9/300, 449, 418, 454; D28/7; 222/402.11-402.14, 553, 565, 402.21, 546, 153.1, 153.11; 215/277; 220/915, 212**

(56) **References Cited**

**U.S. PATENT DOCUMENTS**

D204,031 S \* 3/1966 Abplanalp ..... D9/448

D208,886 S \* 10/1967 Vuilleminot ..... D9/448  
D255,012 S \* 5/1980 Ostrowsky ..... D9/448  
D314,917 S \* 2/1991 Thompson ..... D9/448  
D325,348 S \* 4/1992 Bishop et al. .... D9/448  
D414,416 S \* 9/1999 Watkins ..... D9/448

\* cited by examiner

*Primary Examiner*—Robert M. Spear

*Assistant Examiner*—Susan Bennett Hattan

(74) *Attorney, Agent, or Firm*—Boyle Fredrickson Newholm Stein & Gratz S.C.

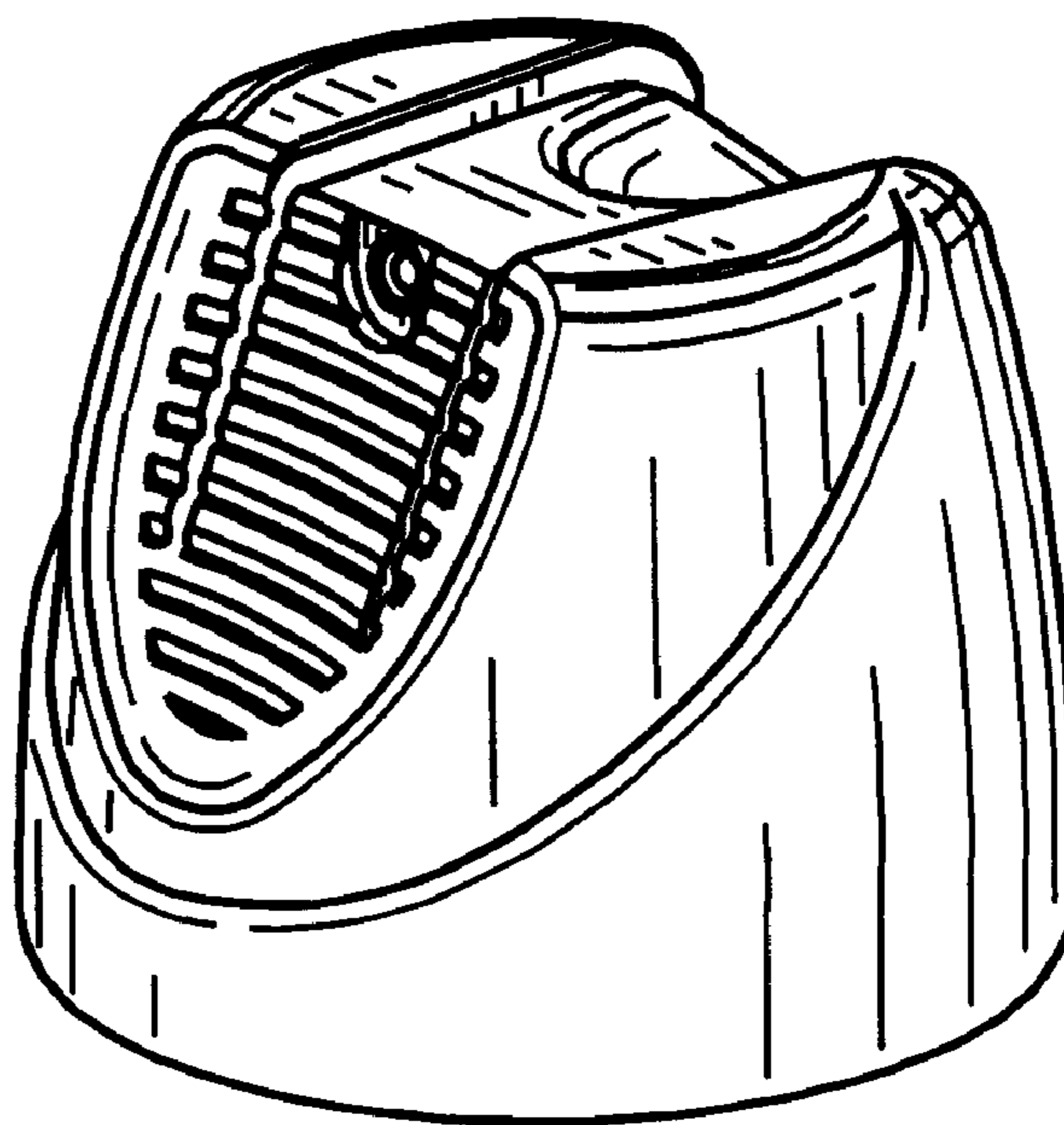
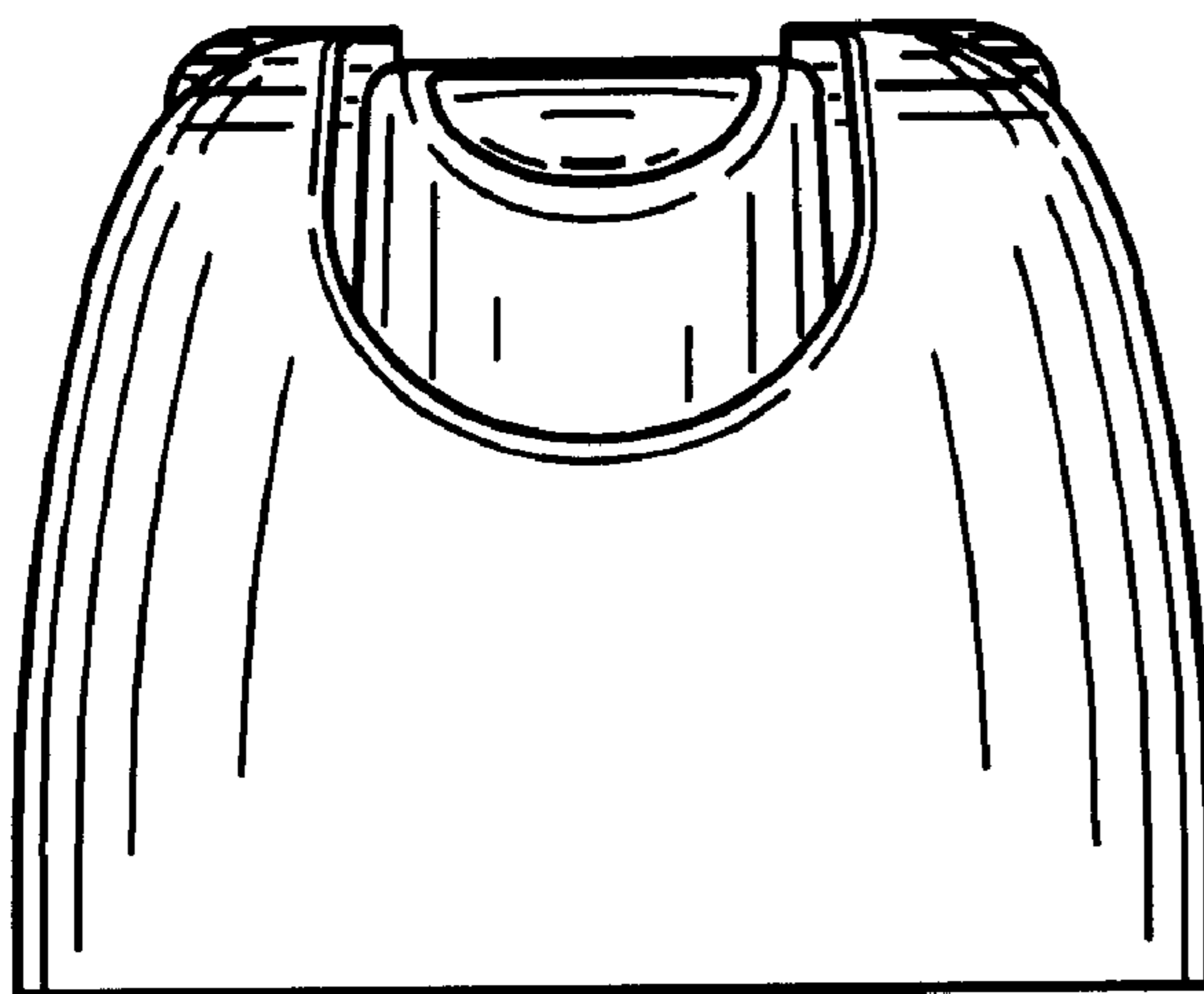
(57) **CLAIM**

The ornamental design of a spray cap, as shown and described.

**DESCRIPTION**

FIG. 1 is a rear elevational view of a spray cap in accordance with the present invention;  
FIG. 2 is a side elevational view of the spray cap of FIG. 1;  
FIG. 3 is a front elevational view of the spray cap of FIG. 1;  
FIG. 4 is a top plan view of the spray cap of FIG. 1;  
FIG. 5 is a first isometric view of the spray cap of FIG. 1; and,  
FIG. 6 is a second isometric view of the spray cap of FIG. 1.

**1 Claim, 1 Drawing Sheet**



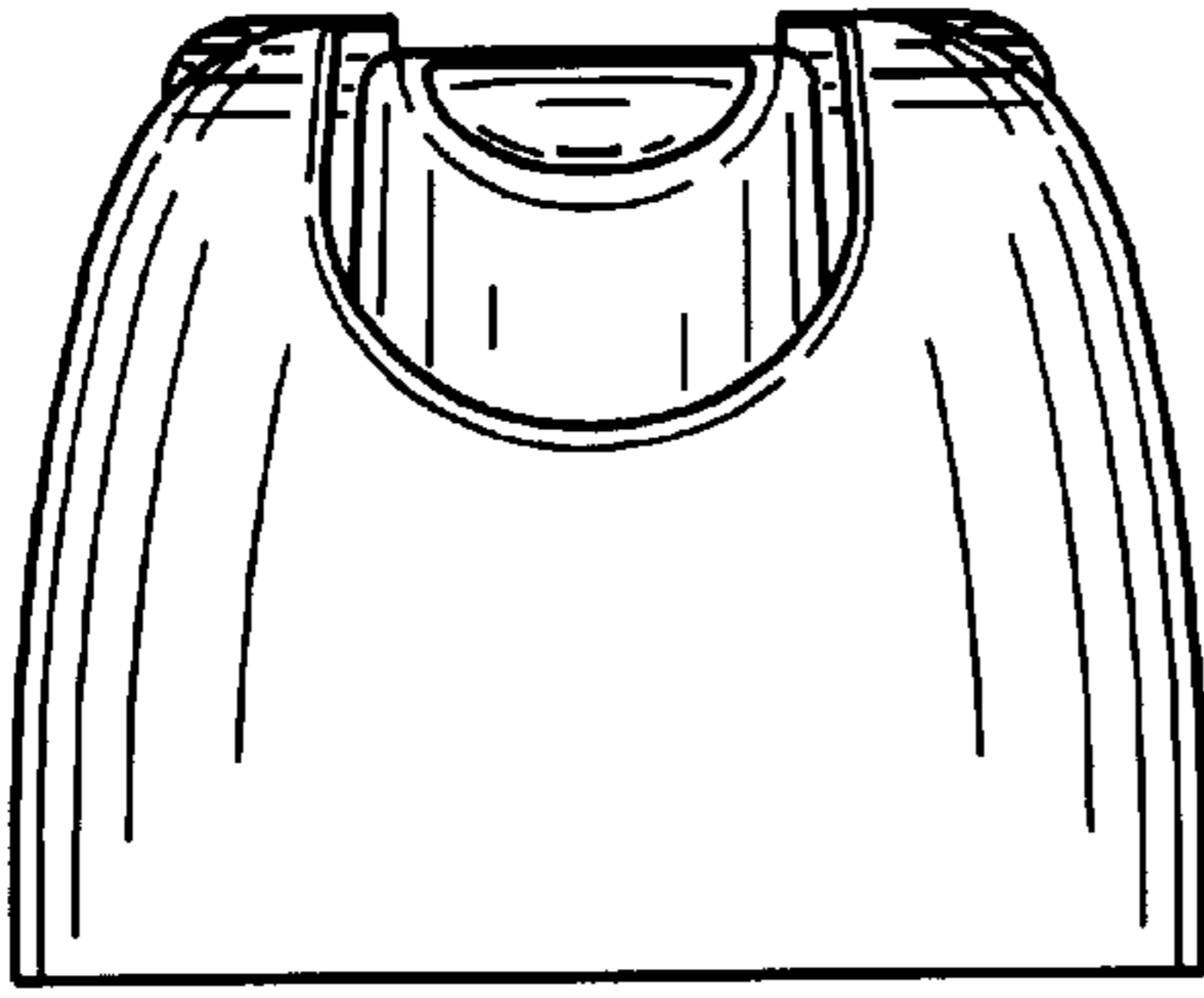


FIG. 1

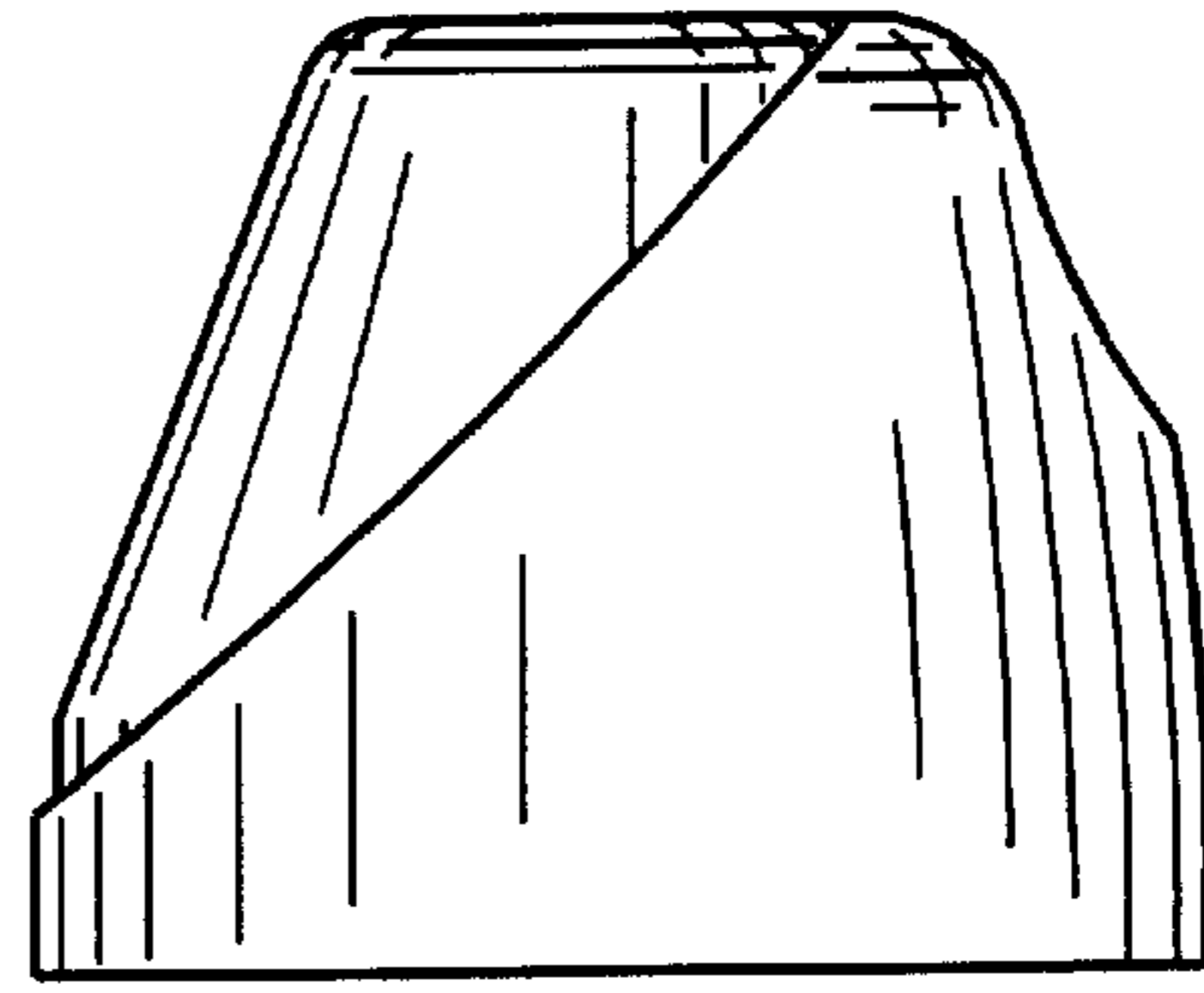


FIG. 2

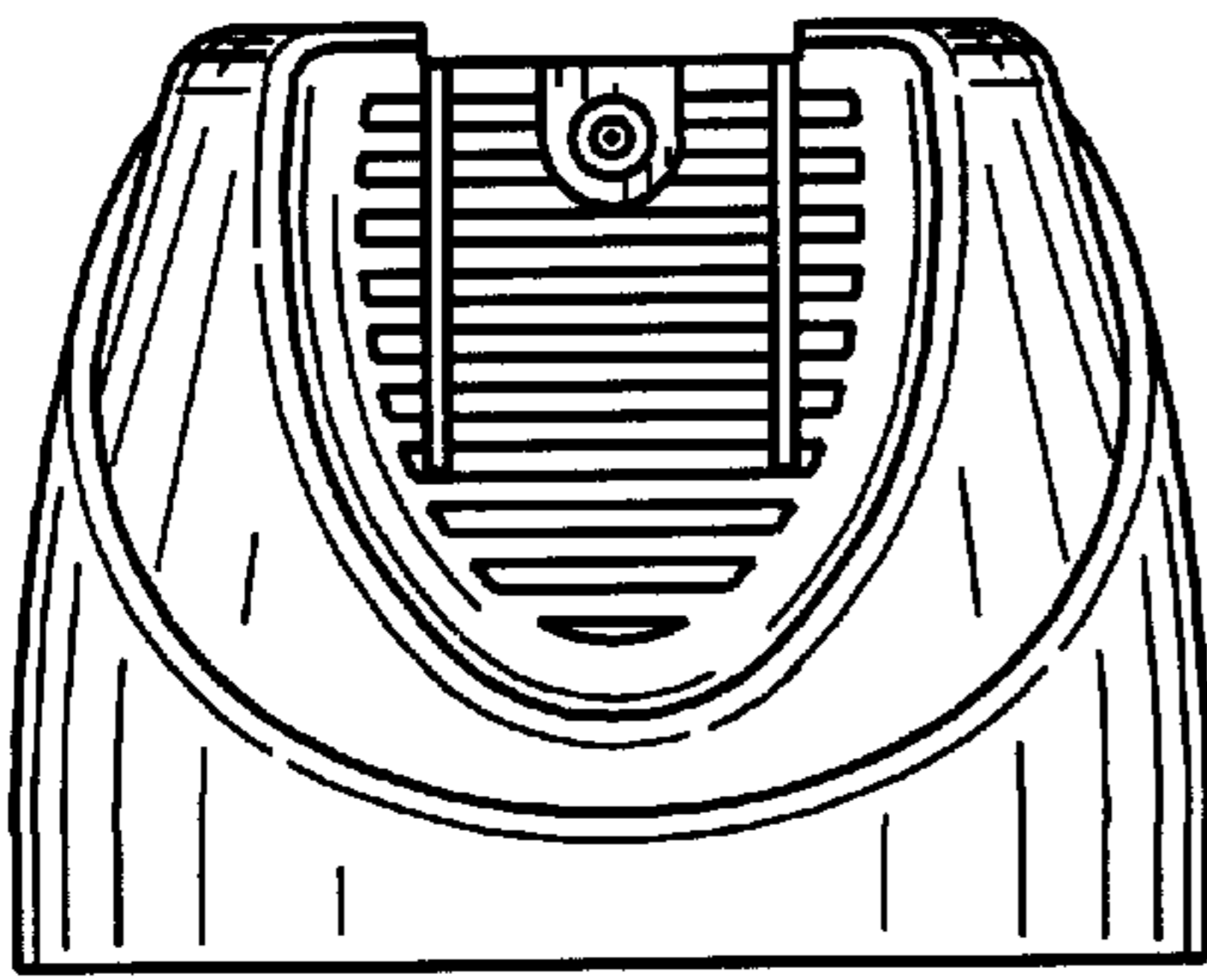


FIG. 3

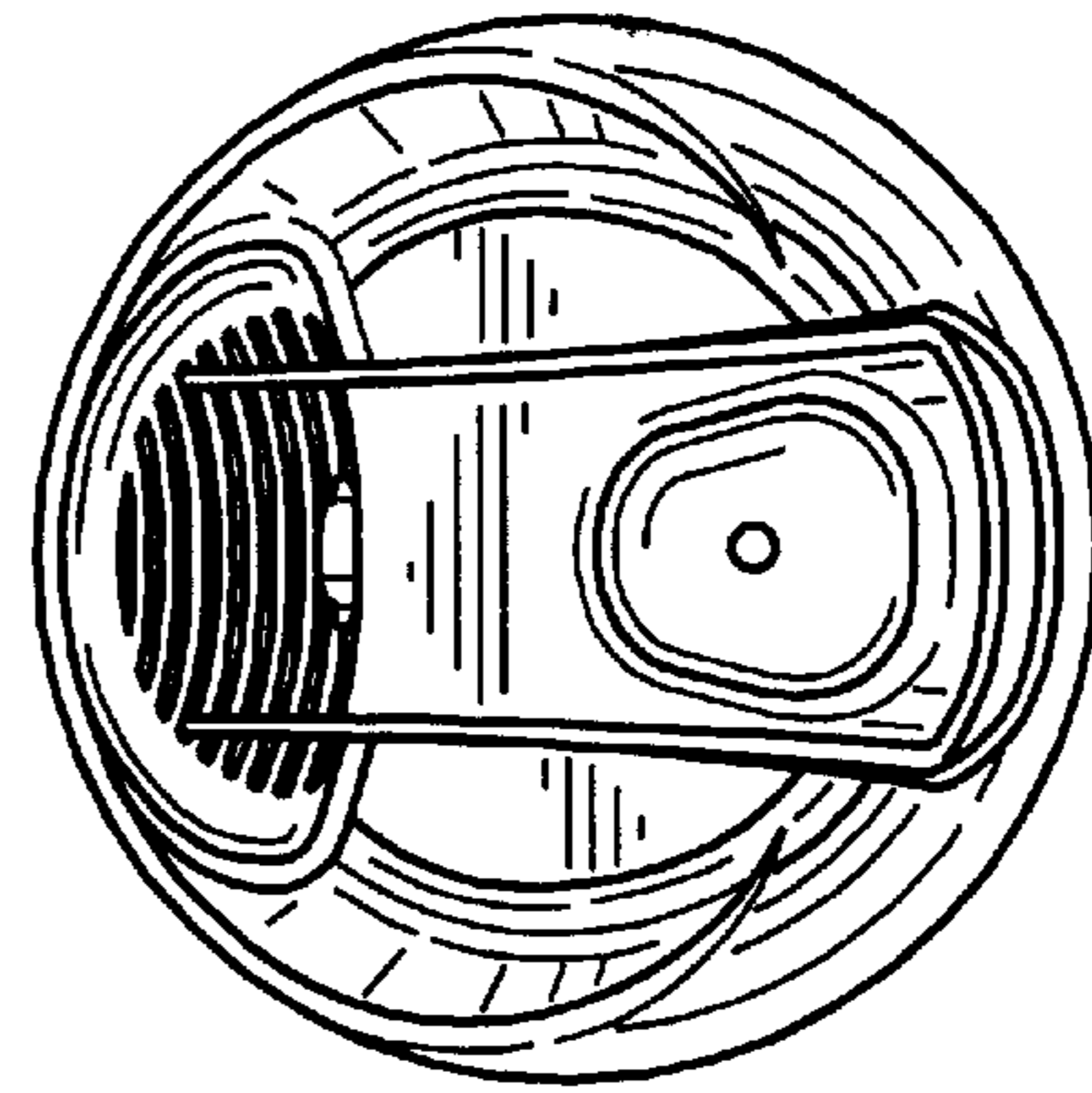


FIG. 4

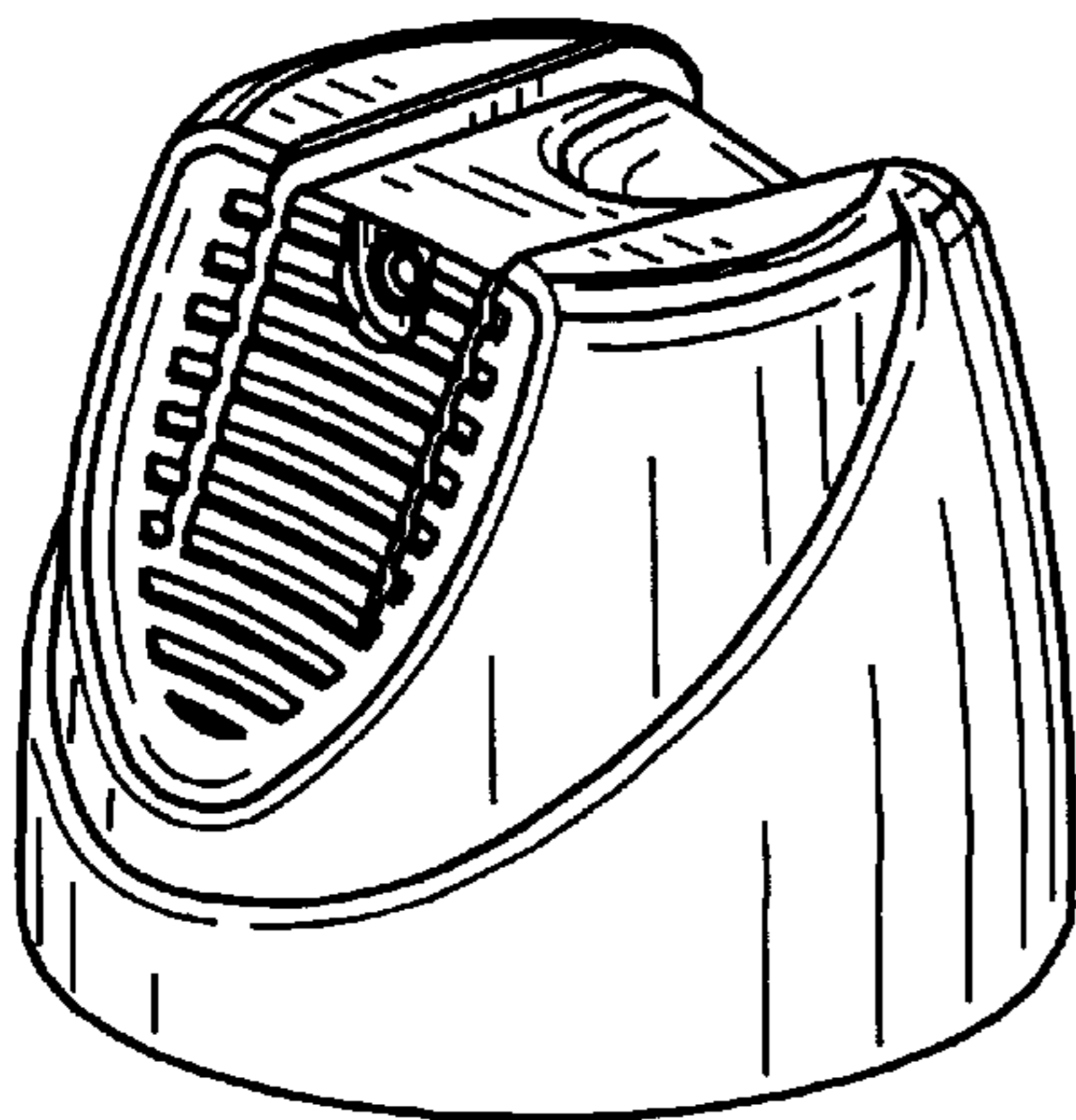


FIG. 5

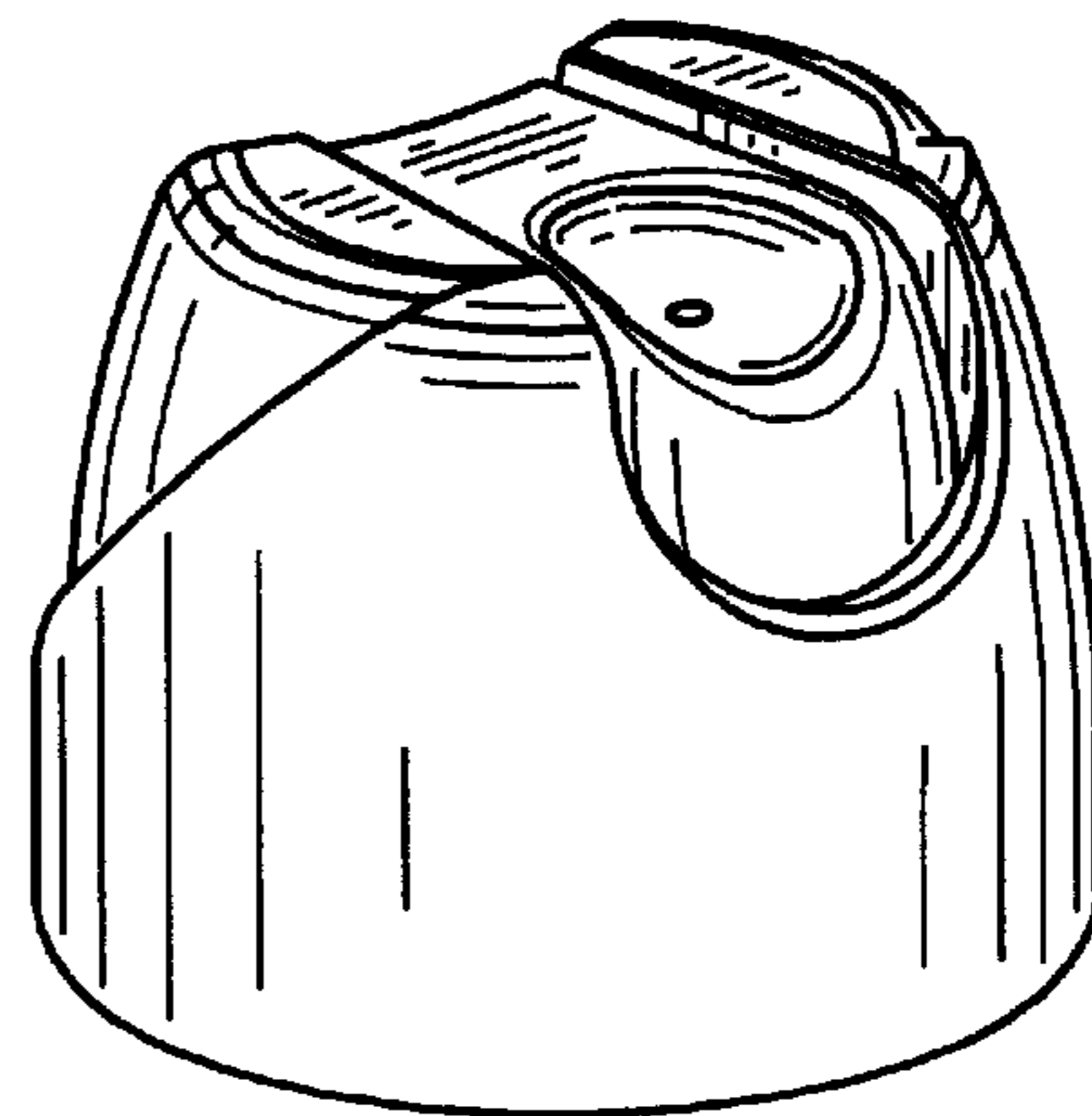


FIG. 6