



US00D512305S

(12) **United States Design Patent**
Ramirez et al.

(10) **Patent No.: US D512,305 S**
(45) **Date of Patent: ** Dec. 6, 2005**

(54) **ONE-COMPARTMENT CONTAINER**

(75) Inventors: **Richard L. Ramirez**, Lawrenceville,
GA (US); **Mark A. Bergeron**, Lithonia,
GA (US)

(73) Assignee: **Tekni-Plex, Inc.**, Somerville, NJ (US)

(**) Term: **14 Years**

(21) Appl. No.: **29/204,391**

(22) Filed: **Apr. 28, 2004**

(51) **LOC (8) Cl.** **09-07**

(52) **U.S. Cl.** **D9/425; D9/432**

(58) **Field of Search** D9/420–426, 432,
D9/414, 428; D7/629, 602; D3/273, 294;
229/406, 407, 902, 904; 206/508, 216;
426/106; 220/781–794, 674, 675, 4.21–4.24,
555, 556, 810, 836, 837, 841, 366.1, 367

(56) **References Cited**

U.S. PATENT DOCUMENTS

4,079,880	A	*	3/1978	Edwards	220/4.21
D282,245	S	*	1/1986	Yeung	D9/425
5,094,355	A	*	3/1992	Clark et al.	220/4.23
5,693,388	A	*	12/1997	Castner et al.	428/35.7
D393,204	S	*	4/1998	Goins et al.	D9/425
5,833,116	A	*	11/1998	Guillin	220/783

5,906,292	A	*	5/1999	Rider, Jr.	220/839
6,056,138	A	*	5/2000	Chen	220/4.21
D439,159	S	*	3/2001	Chen	D9/425
D466,808	S	*	12/2002	Liu et al.	D9/425
D468,637	S	*	1/2003	Chou	D9/425

* cited by examiner

Primary Examiner—Prabhakar Deshmukh

(74) *Attorney, Agent, or Firm*—Pitney Hardin LLP

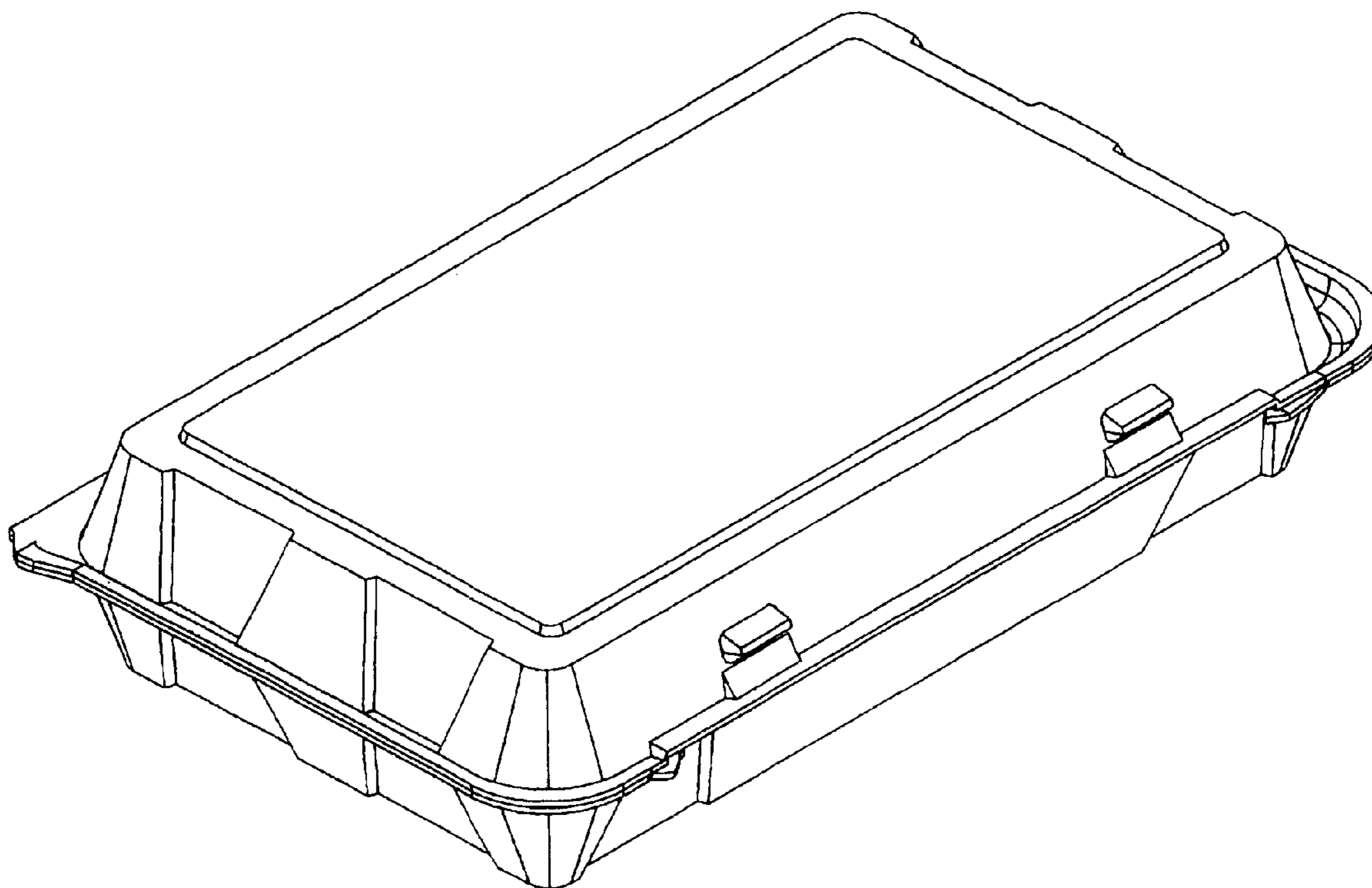
(57) **CLAIM**

The ornamental design for a one-compartment container, as shown and described.

DESCRIPTION

FIG. 1 is a top plan view of a one-compartment container according to our new design;
 FIG. 2 is a front elevational view thereof;
 FIG. 3 is an enlarged left-side elevational view thereof, the right-side view being a mirror image of FIG. 3;
 FIG. 4 is a rear elevational view thereof;
 FIG. 5 is a bottom plan view thereof;
 FIG. 6 is a perspective view thereof;
 FIG. 7 is a perspective view thereof in a partially opened condition; and,
 FIG. 8 is a plan view of the interior of the one-compartment container in a fully opened condition.

1 Claim, 8 Drawing Sheets



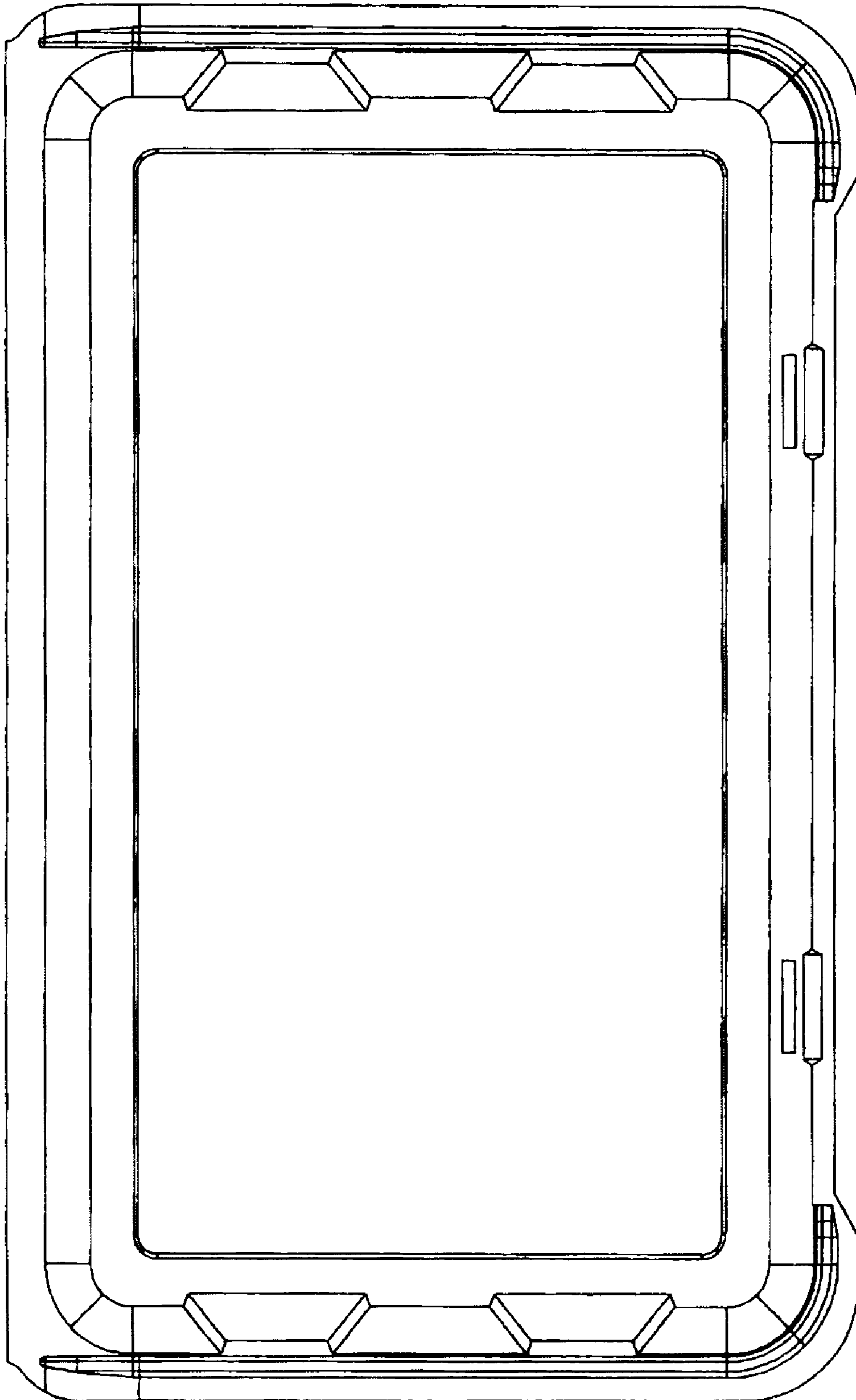


FIG. 1

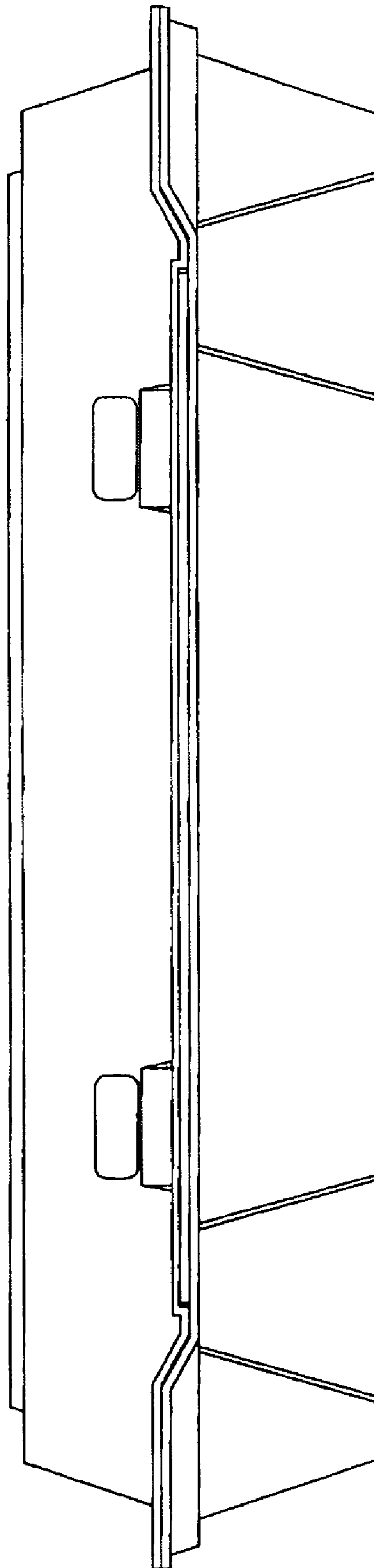


Fig. 2

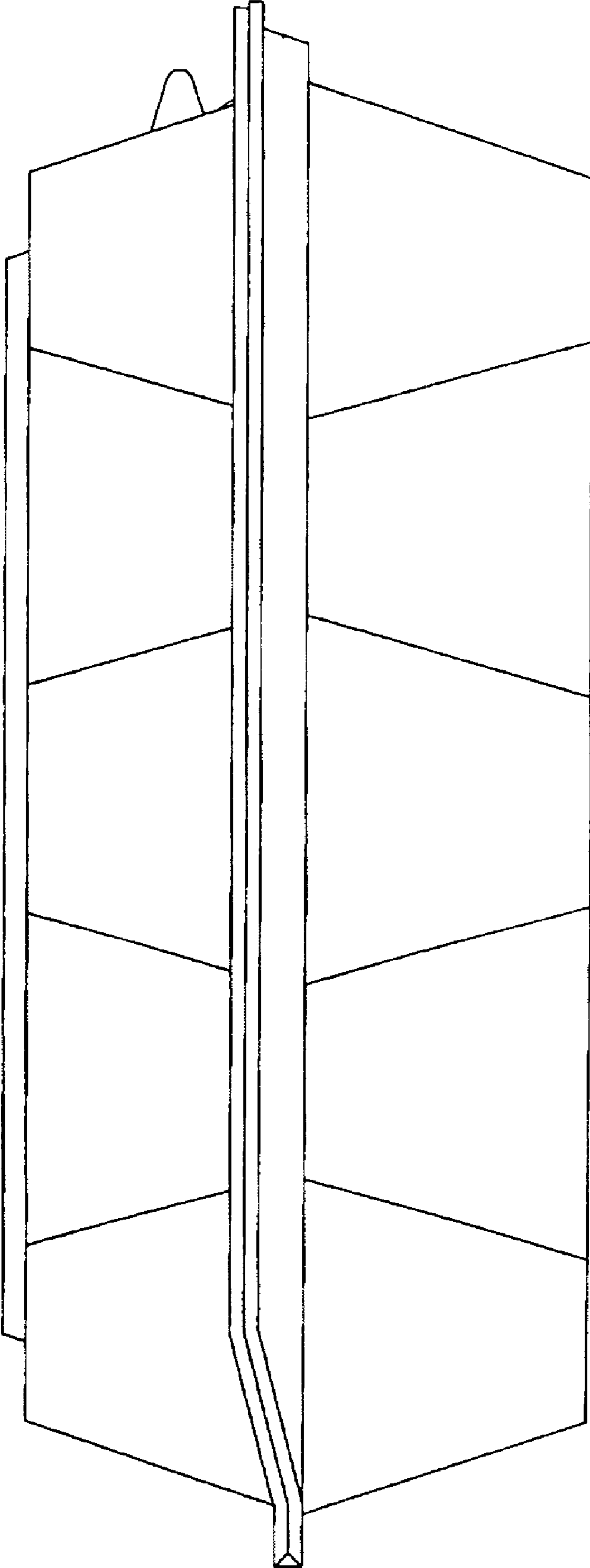


Fig. 3

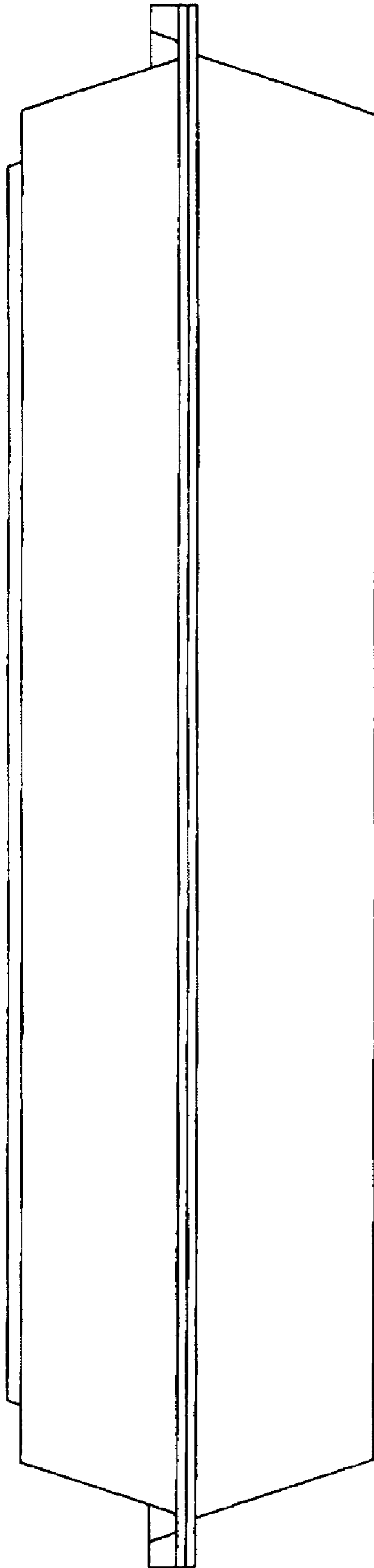


Fig. 4

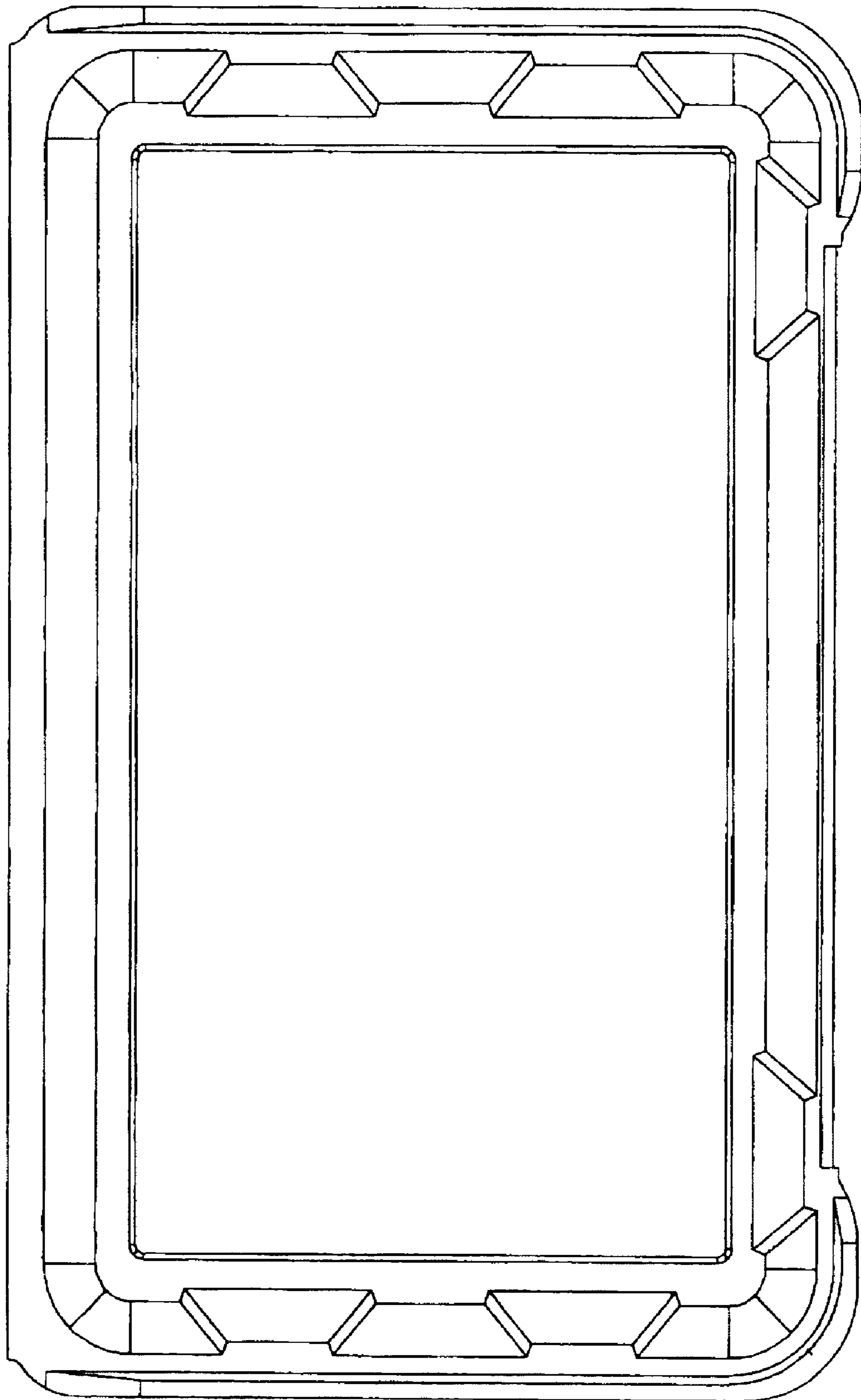


Fig. 5

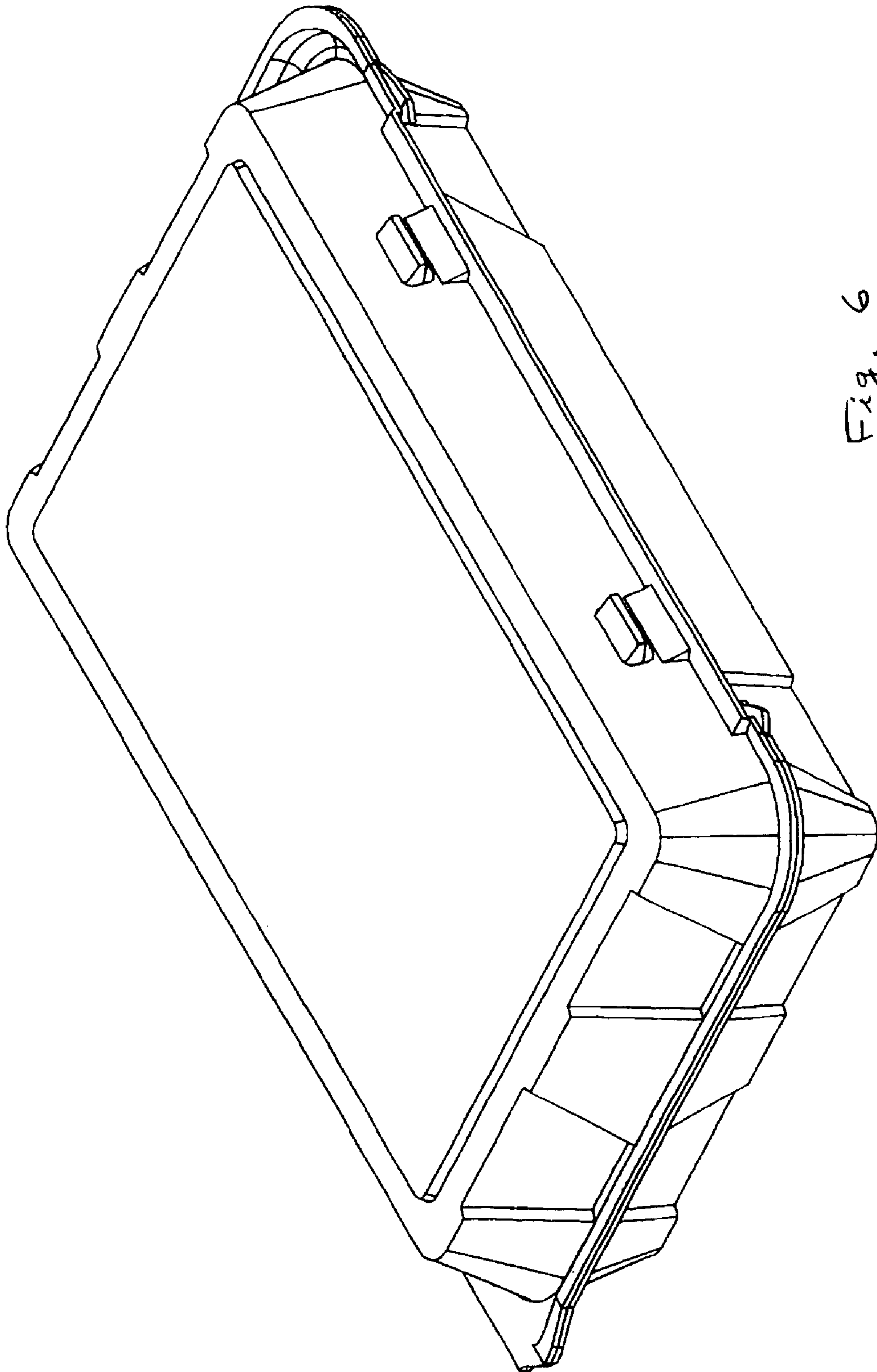


Fig. 6

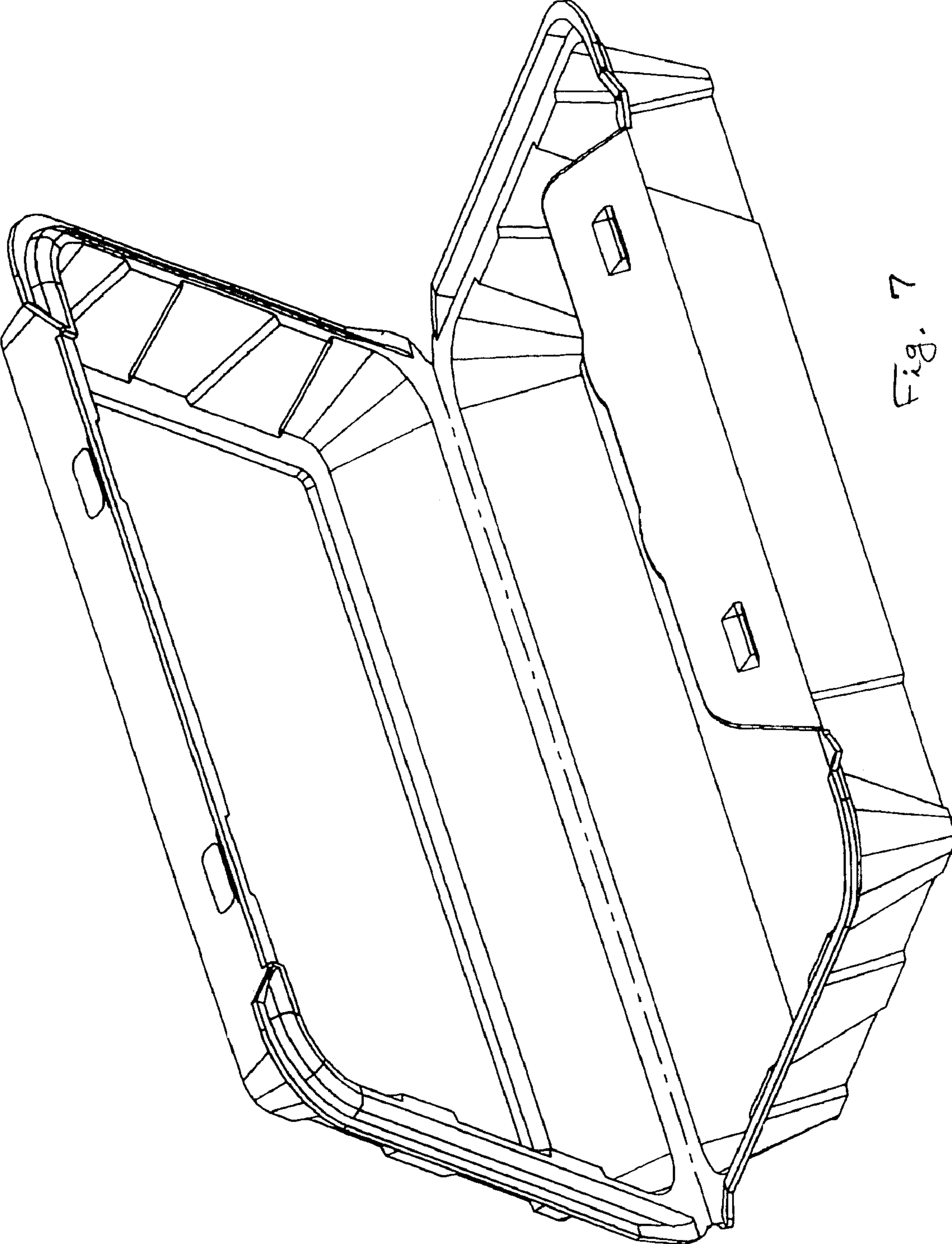


Fig. 7

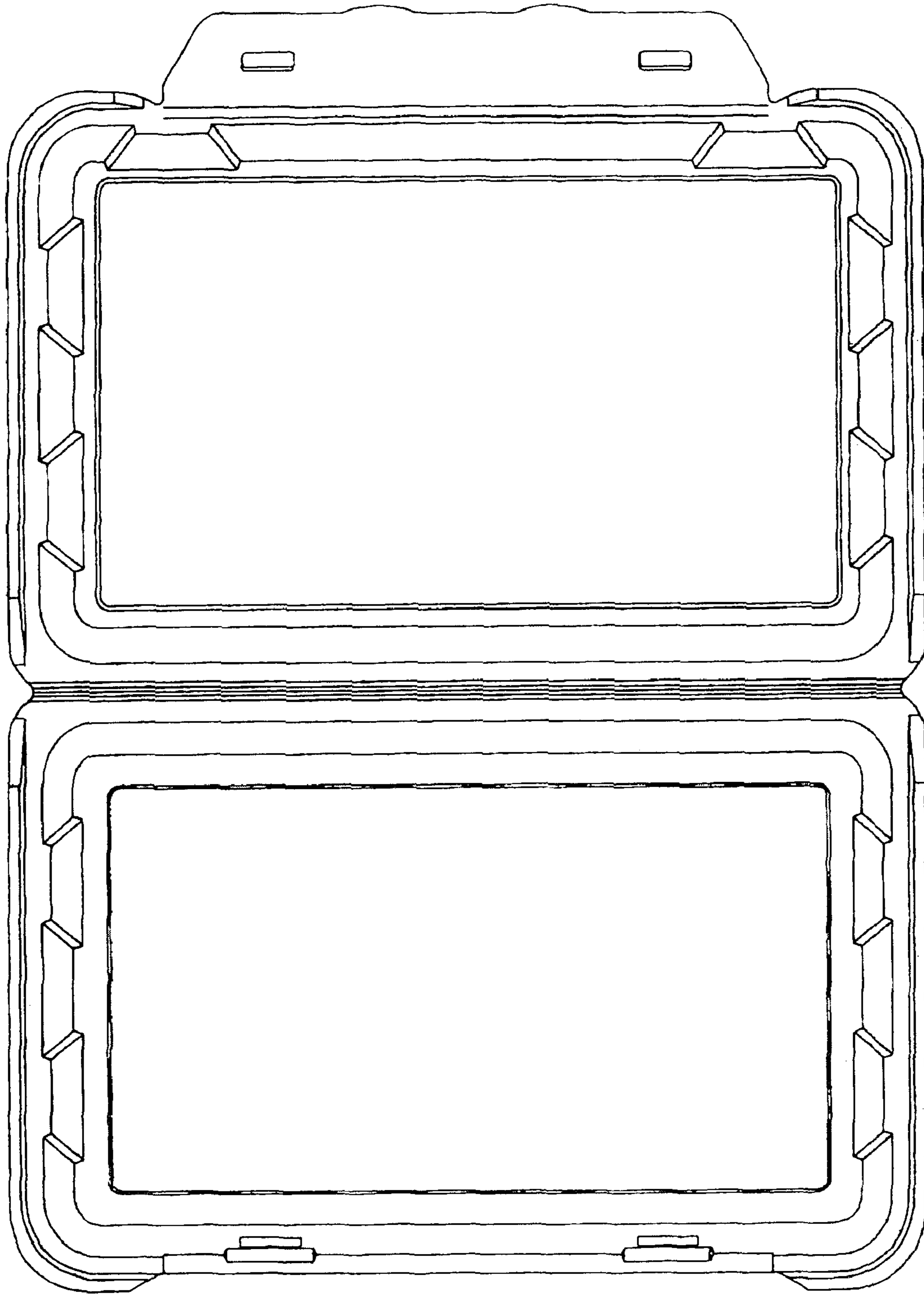


Fig. 8