



US00D512304S

(12) **United States Design Patent**  
**Aldridge**

(10) **Patent No.: US D512,304 S**

(45) **Date of Patent: \*\* Dec. 6, 2005**

(54) **GUM SLAB PRODUCT PACKAGE**

(75) **Inventor: Allen S. Aldridge**, South Orange, NJ  
(US)

(73) **Assignee: Cadbury Adams USA LLC**,  
Parsippany, NJ (US)

(\*\*) **Term: 14 Years**

(21) **Appl. No.: 29/208,984**

(22) **Filed: Jul. 8, 2004**

(51) **LOC (8) Cl. .... 09-07**

(52) **U.S. Cl. .... D9/422**

(58) **Field of Search** ..... D9/414, 422, 432,  
D9/417, 715, 730; 206/216, 541, 800, 817,  
38; 229/124, 125.19, 125.26, 125.27, 125.32,  
125.33, 125.36, 87.07, 125.08, 904.1

(56) **References Cited**

**U.S. PATENT DOCUMENTS**

- 2,327,301 A \* 8/1943 Davis ..... 206/760
- 2,988,209 A \* 6/1961 Parrila ..... 206/362
- D250,748 S \* 1/1979 Leger ..... D9/420
- 4,637,544 A \* 1/1987 Quercetti ..... 229/117.24

- D351,104 S \* 10/1994 Kapp ..... D9/423
- D365,023 S \* 12/1995 Abrams et al. .... D9/423
- D421,568 S \* 3/2000 Ferguson et al. .... D9/414
- D471,804 S \* 3/2003 Staples ..... D9/423
- 6,644,488 B1 \* 11/2003 Coleman ..... 220/23.4

\* cited by examiner

*Primary Examiner*—Prabhakar Deshmukh

(74) *Attorney, Agent, or Firm*—Hoffmann & Baron, LLP

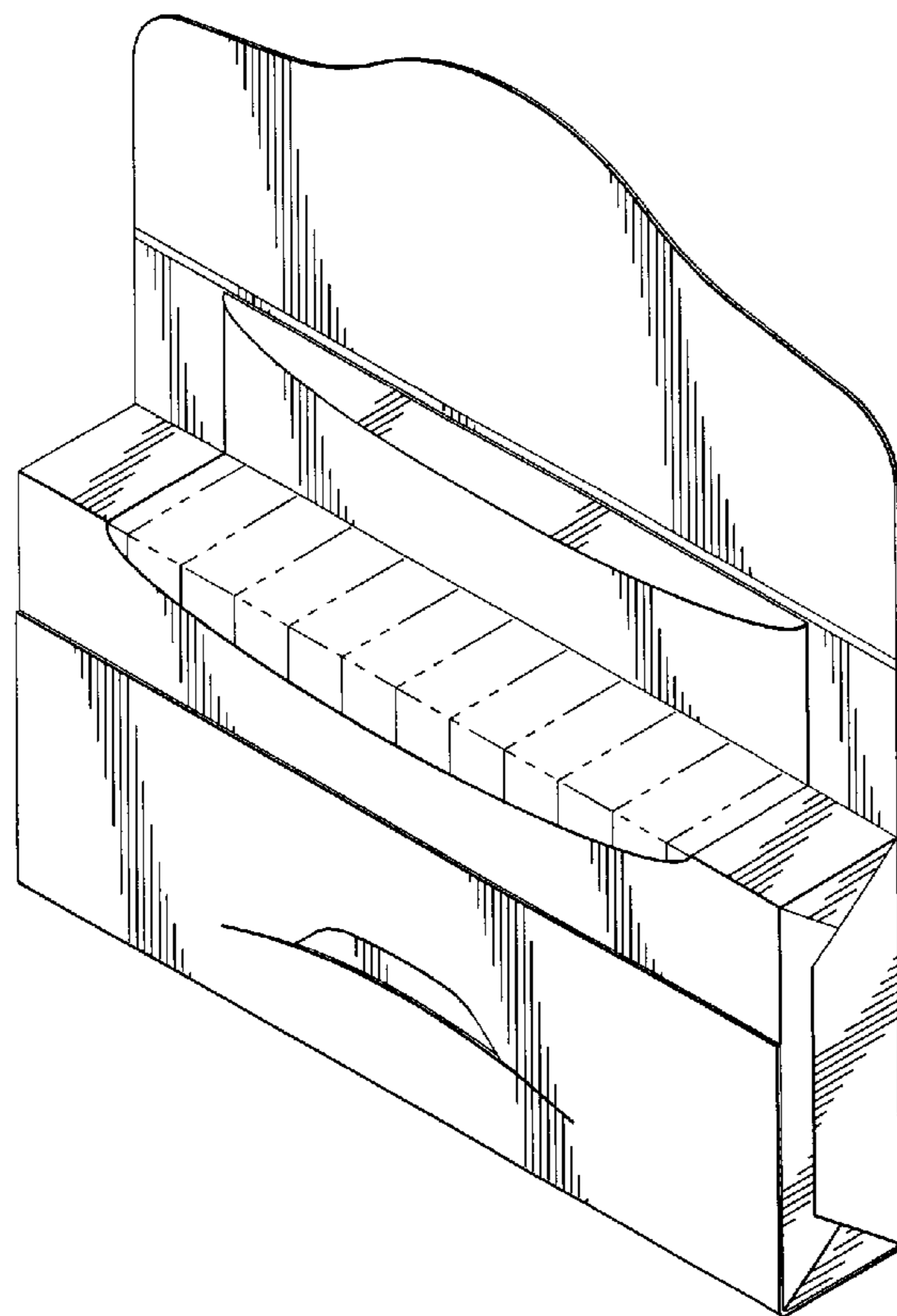
(57) **CLAIM**

The ornamental design for a gum slab product package, as shown and described.

**DESCRIPTION**

FIG. 1 is a front perspective view of a gum slab product package of my new design shown in a closed condition.  
 FIG. 2 is a front perspective view of the gum slab product package of FIG. 1 shown in the reclosed condition.  
 FIG. 3 is a rear perspective showing of the gum slab product package of FIG. 1; and,  
 FIG. 4 is a front perspective showing of the gum slab product package of FIG. 1 in the open condition with gum slabs shown in phantom and not forming part of the present design.

**1 Claim, 2 Drawing Sheets**



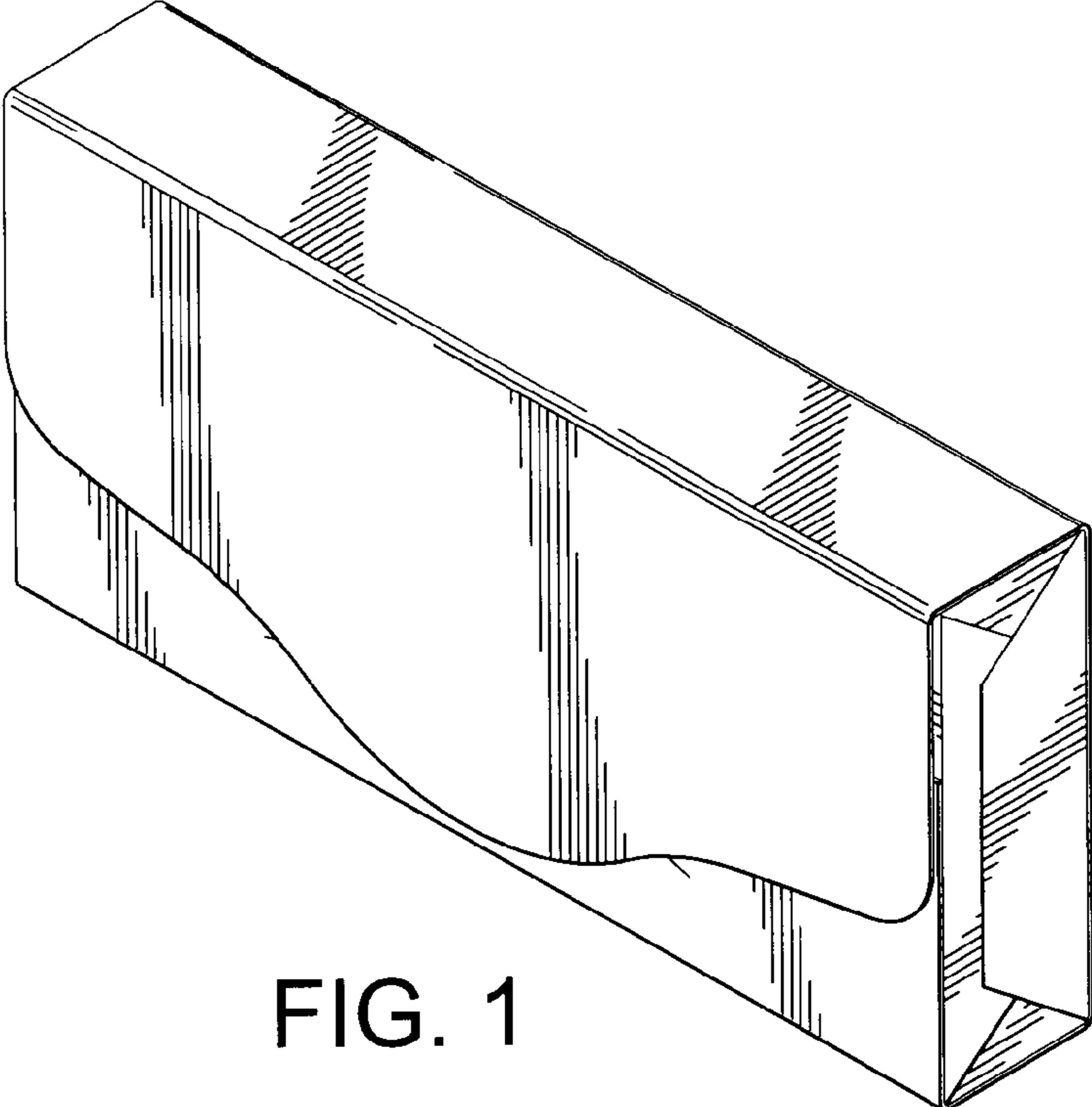


FIG. 1

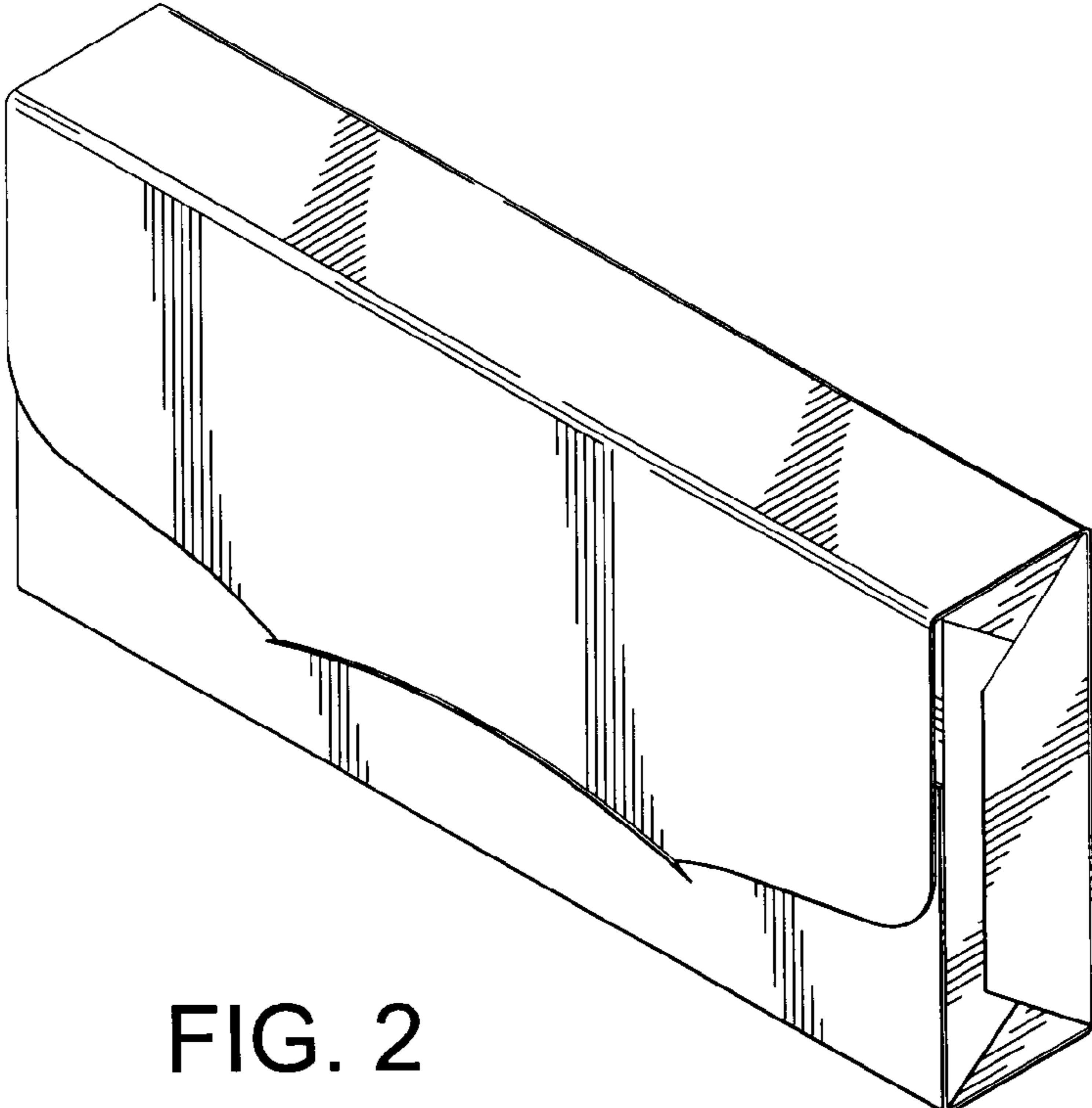


FIG. 2

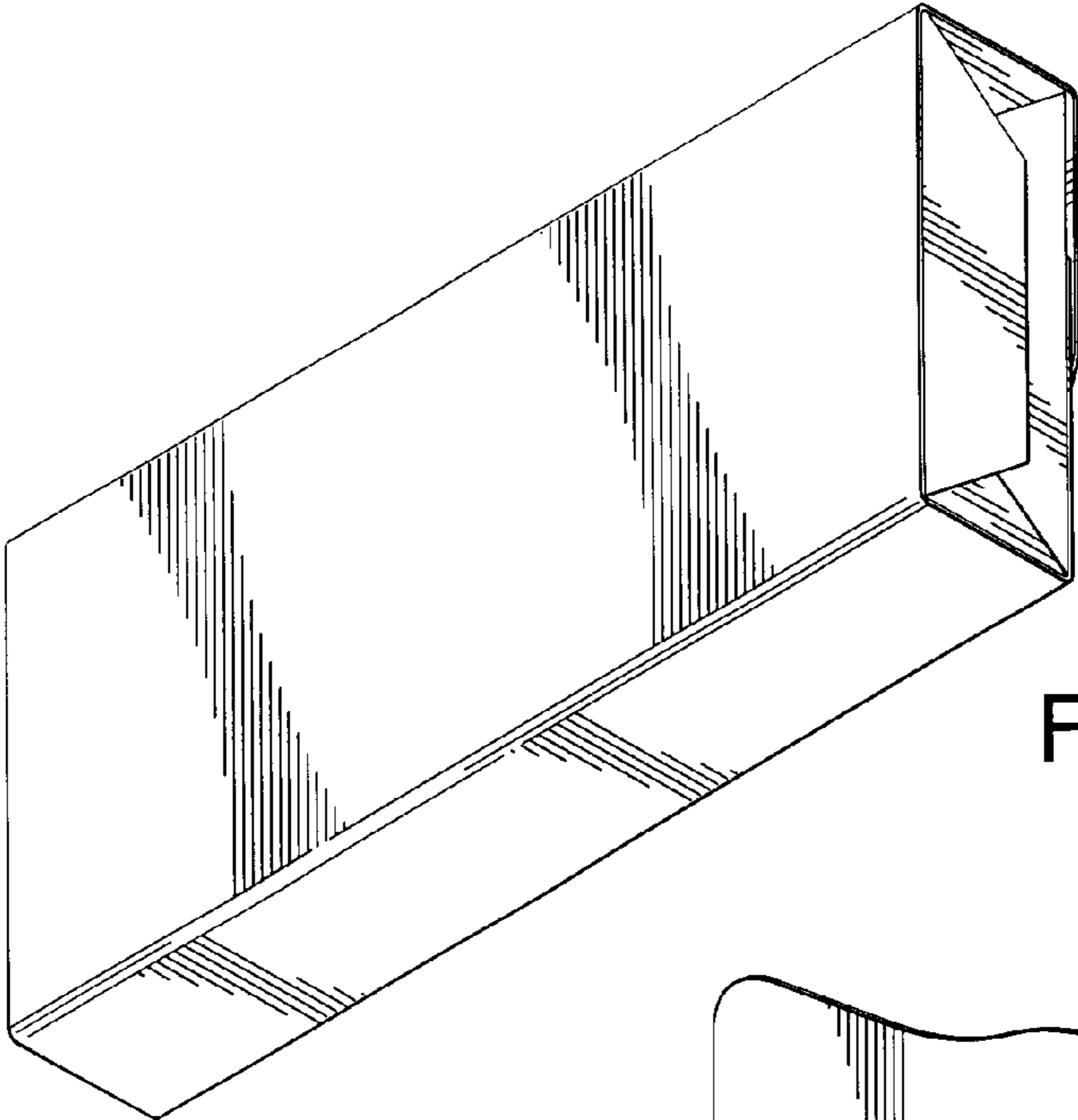


FIG. 3

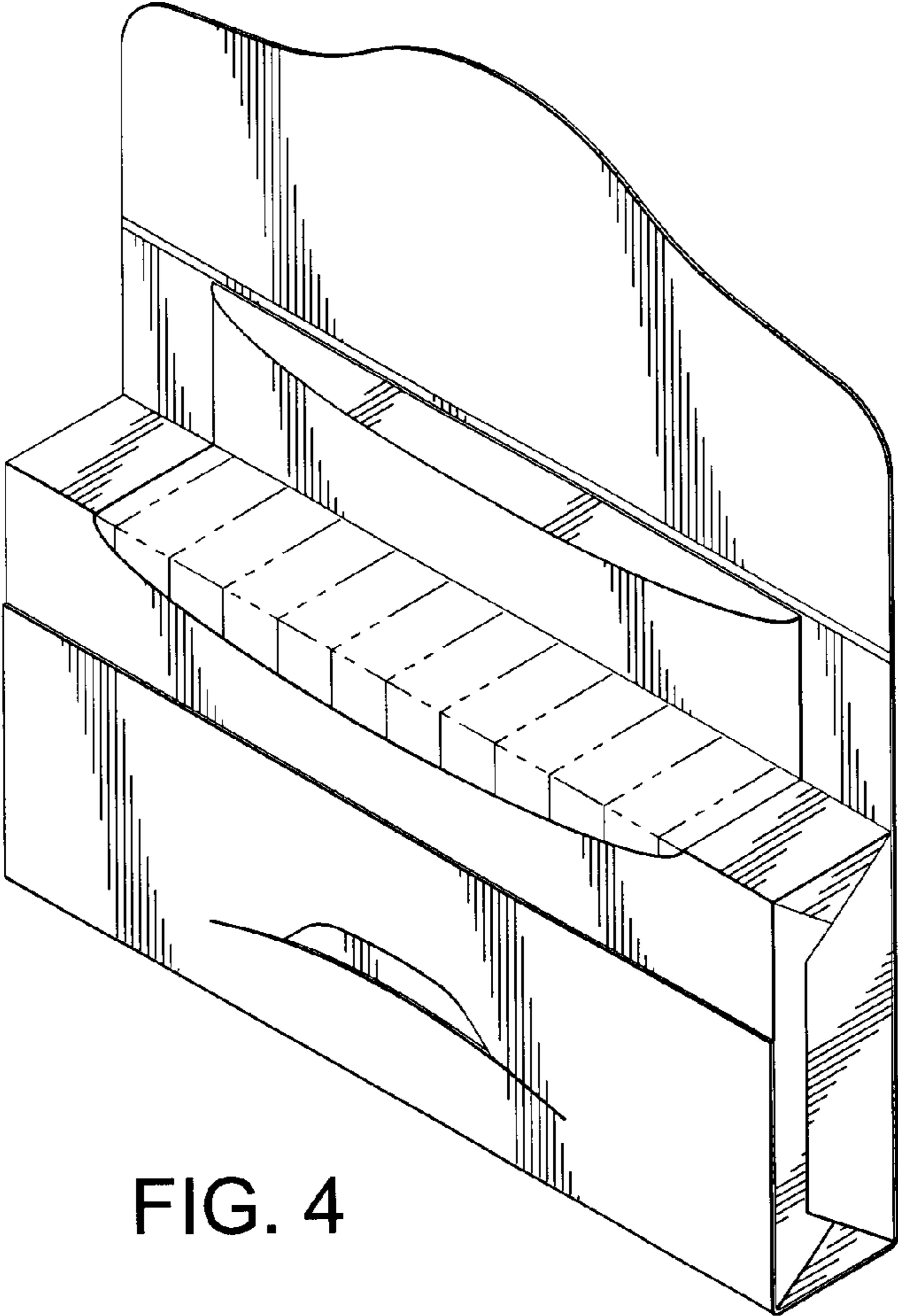


FIG. 4