



US00D512303S

(12) **United States Design Patent** (10) **Patent No.:** **US D512,303 S**
Prichard, Jr. et al. (45) **Date of Patent:** **** Dec. 6, 2005**

(54) **SNOW GUARD**

(76) Inventors: **William Jacob Prichard, Jr.**, 26086
 Wyndham Rd., Sturgis, MI (US) 49091;
Randal Lee Johnson, 25890 Mintdale
 Rd., Sturgis, MI (US) 49091

(**) **Term:** **14 Years**

(21) **Appl. No.:** **29/195,288**

(22) **Filed:** **Dec. 9, 2003**

(51) **LOC (8) Cl.** **08-99**

(52) **U.S. Cl.** **D8/499**

(58) **Field of Search** D8/499; 52/24-26,
52/98

D387,443 S 12/1997 Blankenbiller
 D397,809 S 9/1998 Nelson
 5,901,507 A * 5/1999 Smeja et al. 52/24
 D418,403 S 1/2000 Cline
 D419,863 S 2/2000 Mullane
 6,256,934 B1 7/2001 Alley
 6,318,028 B2 11/2001 Alley
 D453,678 S * 2/2002 McMullen D8/499
 6,357,184 B1 3/2002 Alley
 D455,068 S 4/2002 Mullane
 D475,613 S 6/2003 Mullane
 D499,332 S * 12/2004 Rizzo D8/499

* cited by examiner

Primary Examiner—Brian N Vinson

(57) **CLAIM**

The ornamental design of the snow guard, as shown and described.

(56) **References Cited**

U.S. PATENT DOCUMENTS

30,788 A	11/1860	Clark
3,296,750 A	1/1967	Zaleski
D254,051 S	1/1980	Zaleski
5,282,340 A	2/1994	Kline
5,343,659 A	9/1994	Zaleski
D351,989 S	11/1994	Cline
5,371,979 A	12/1994	Kwiatkowski
D360,476 S	7/1995	Smeja
D364,338 S	11/1995	Cline
D364,556 S	11/1995	Lee
5,471,799 A	12/1995	Smeja
5,522,185 A	6/1996	Cline
D372,421 S	8/1996	Kline
5,570,557 A	11/1996	Kwiatkowski
5,609,326 A	3/1997	Stearns
5,655,334 A	8/1997	Kwiatkowski
5,664,374 A	9/1997	Lee

DESCRIPTION

This snow guard is designed to prevent snow and ice from sliding off a roof.

FIG. 1 is a top view of the snow guard showing our new design;

FIG. 2 is a bottom view thereof;

FIG. 3 is a front view thereof;

FIG. 4 is a rear view thereof;

FIG. 5 is side view thereof;

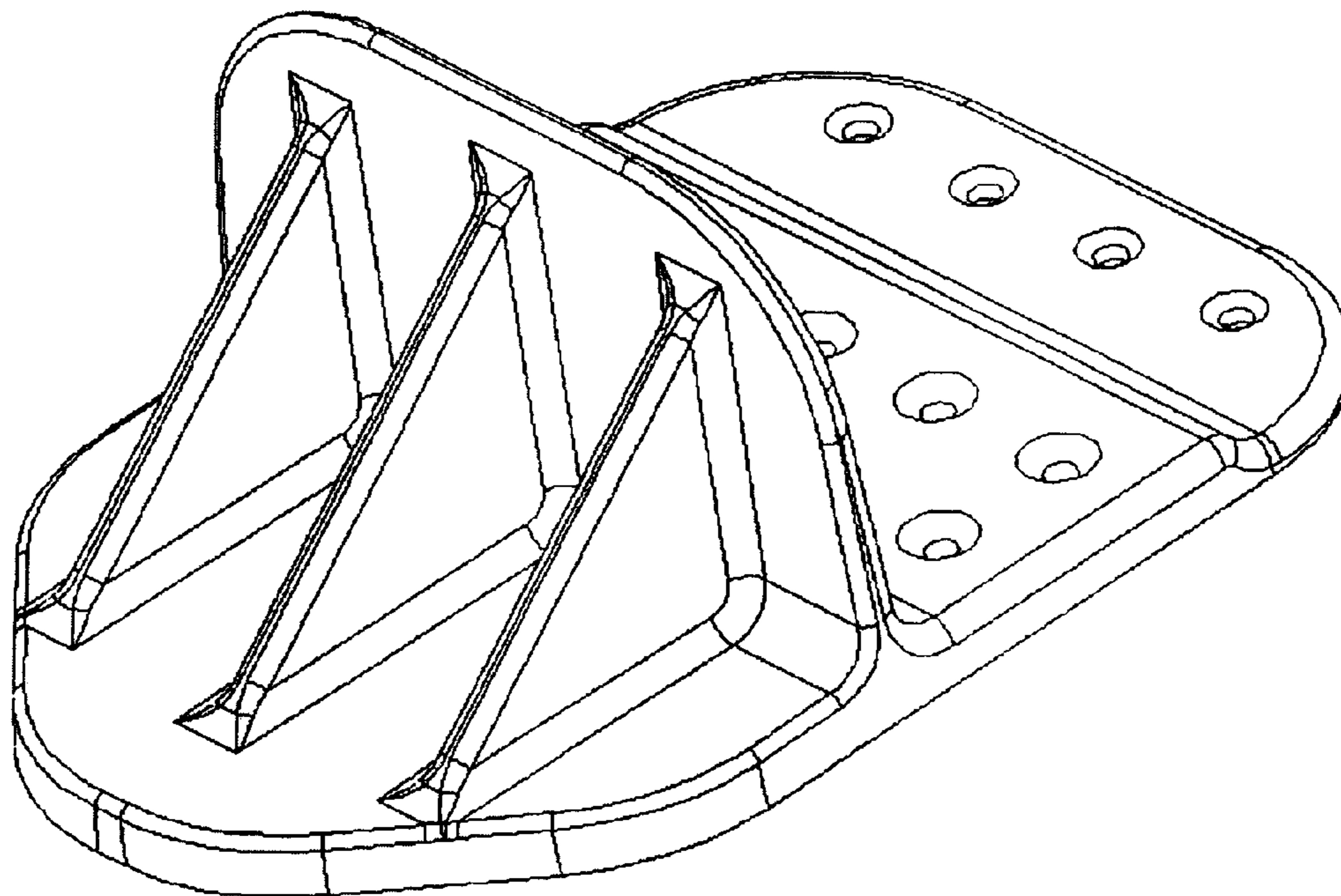
FIG. 6 is a section view thereof;

FIG. 7 is a rear perspective view thereof;

FIG. 8 is a front perspective view thereof; and,

FIG. 9 is a bottom perspective view thereof.

1 Claim, 8 Drawing Sheets



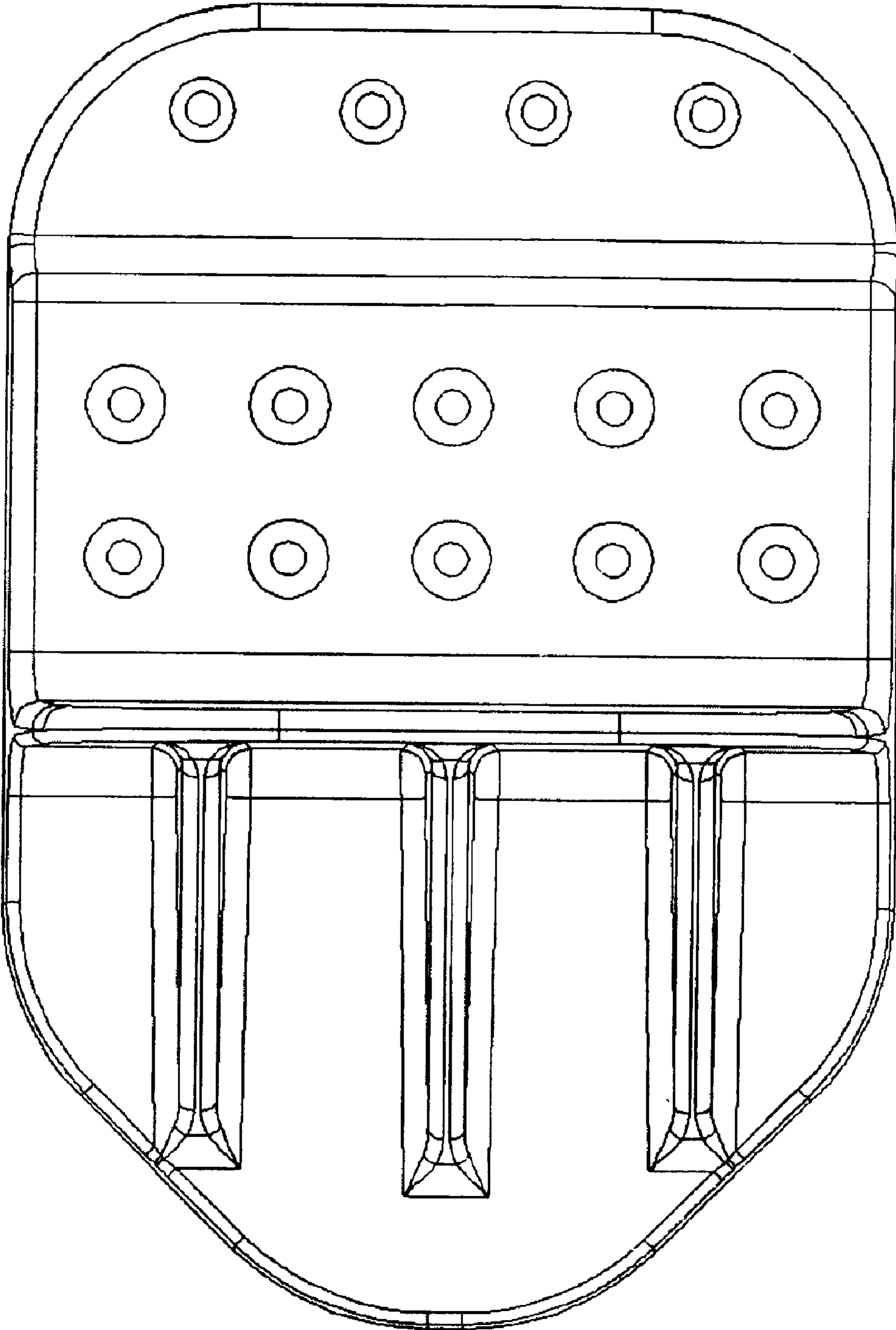


FIG. 1

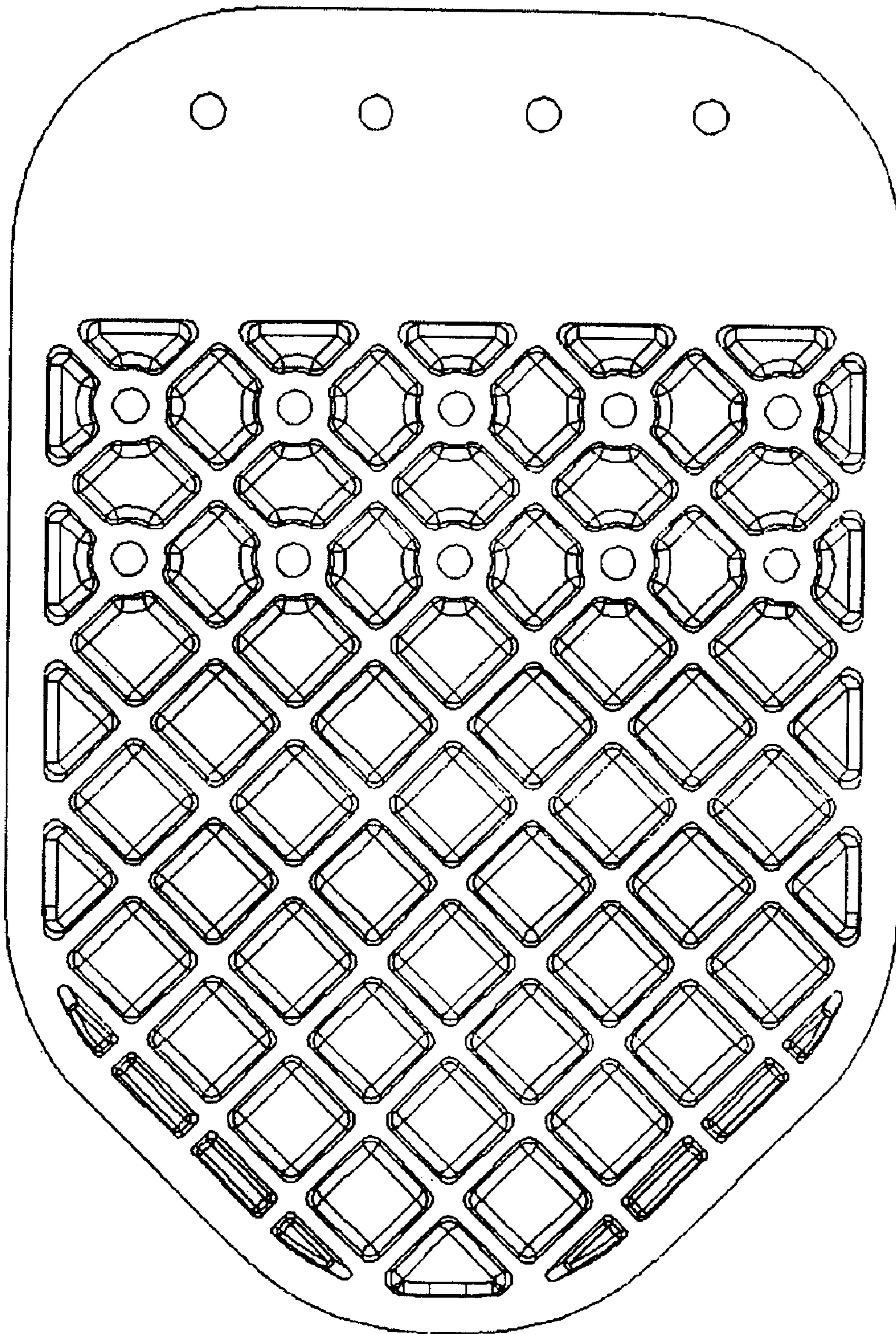


FIG. 2

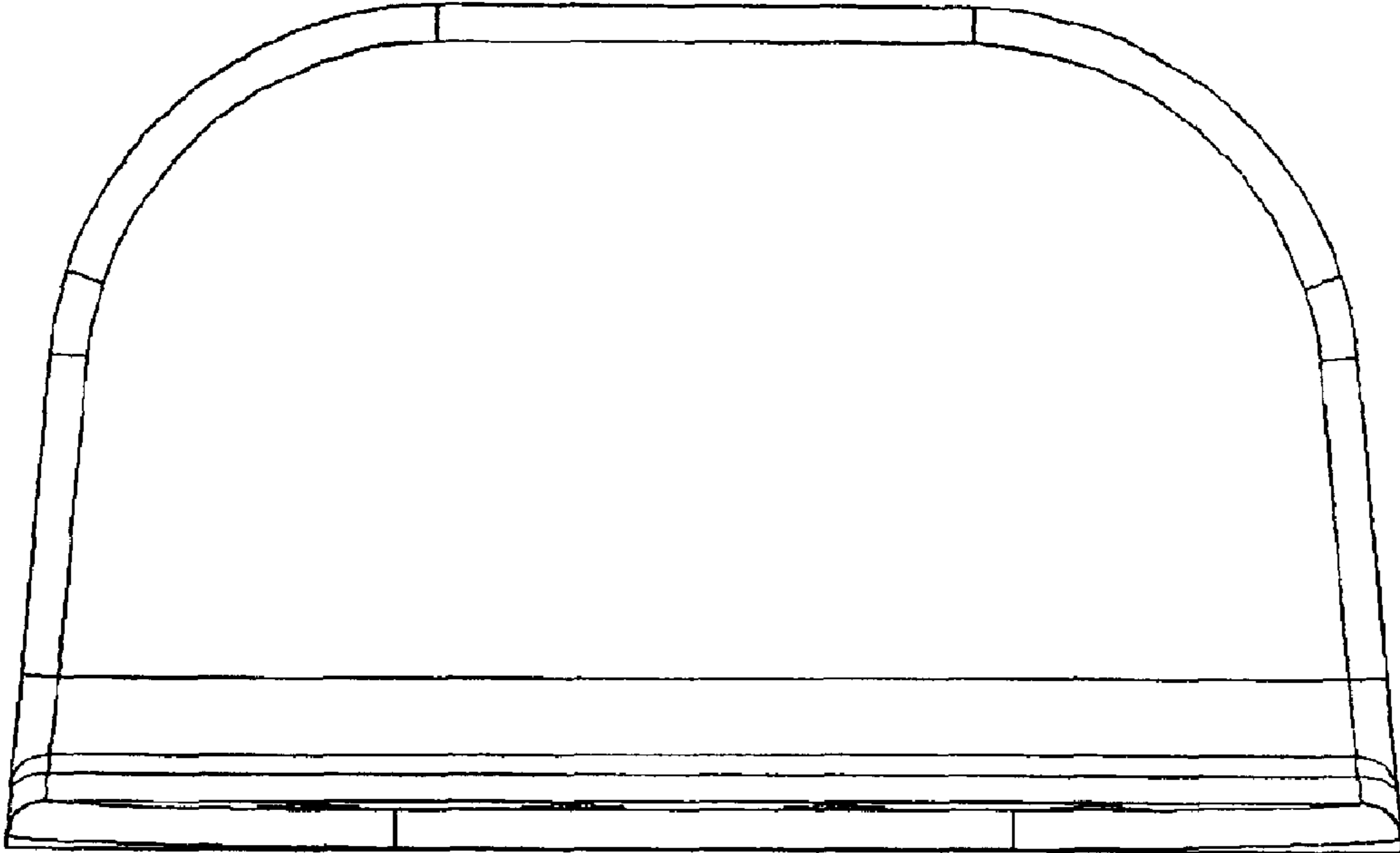


FIG. 3

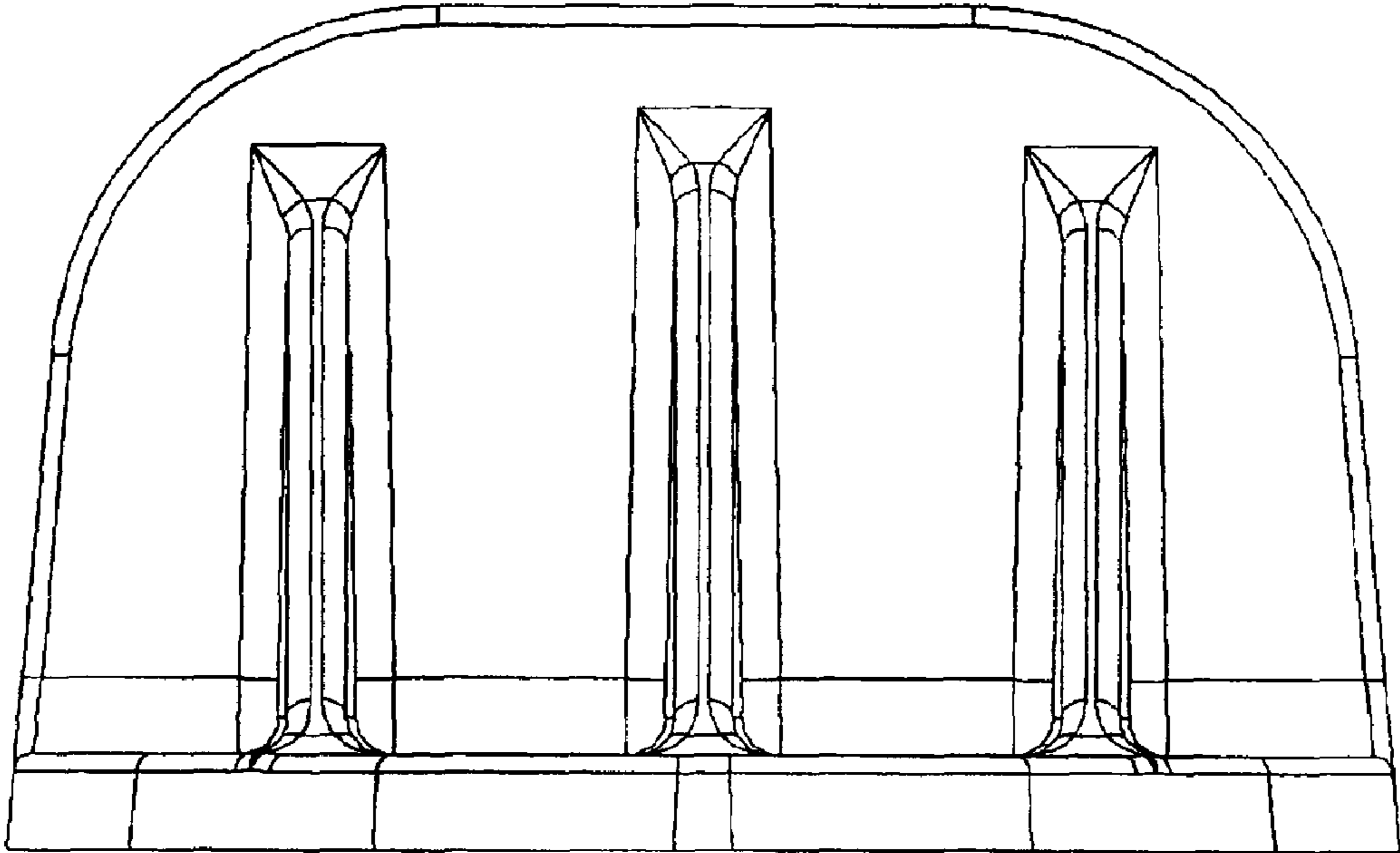


FIG. 4

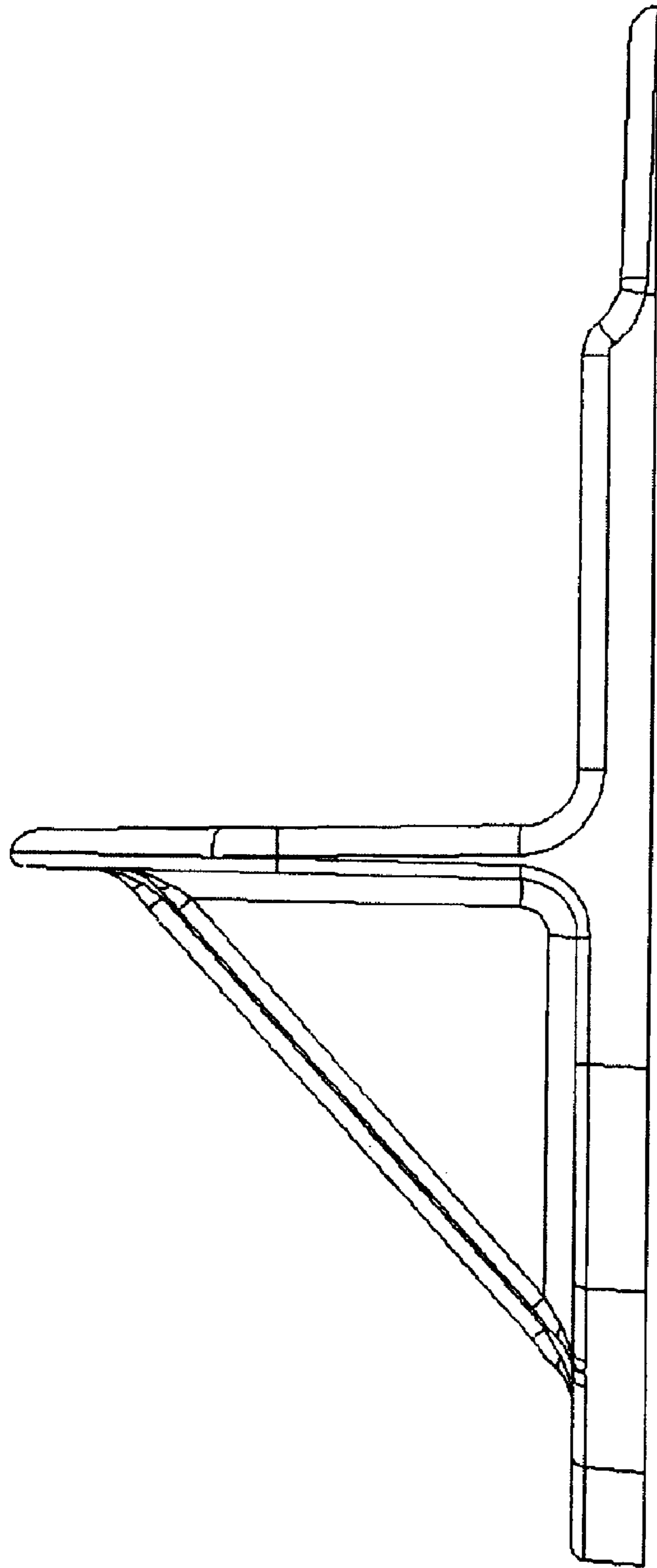


FIG. 5

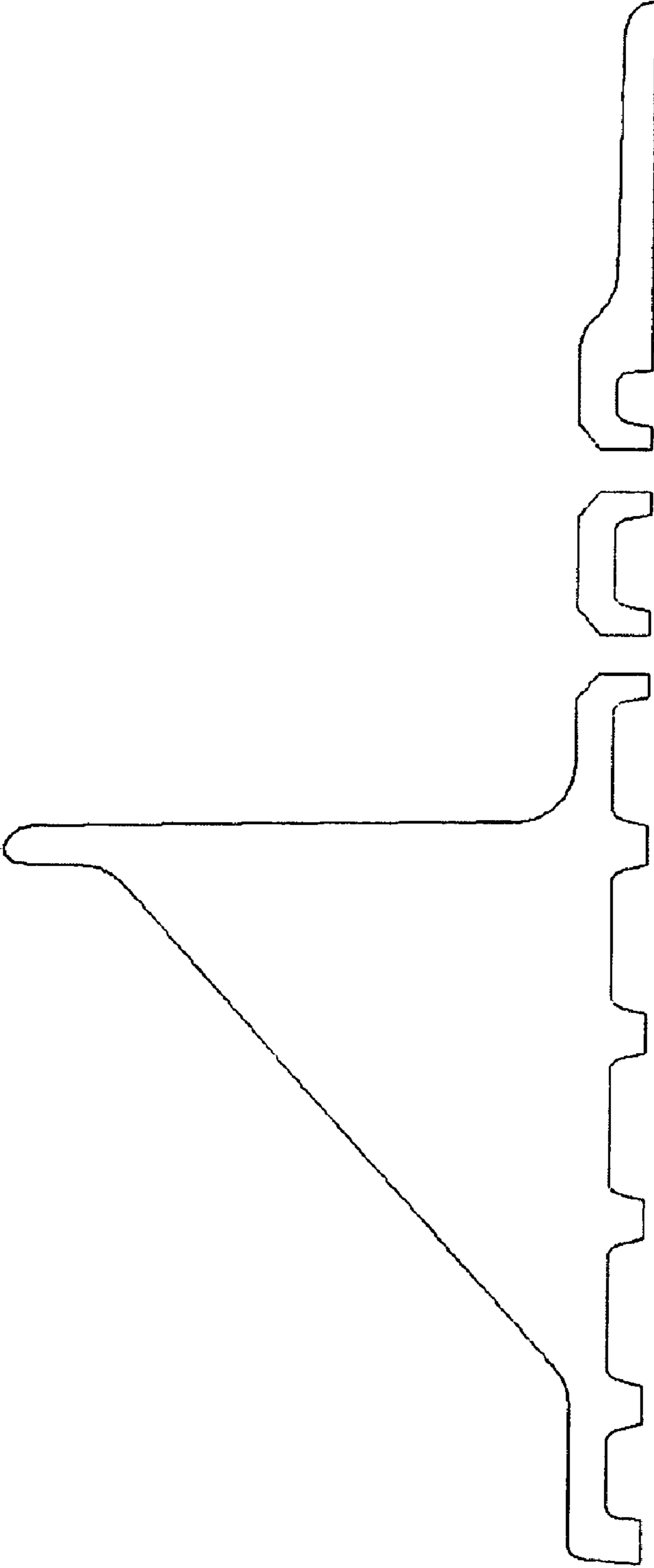


FIG. 6

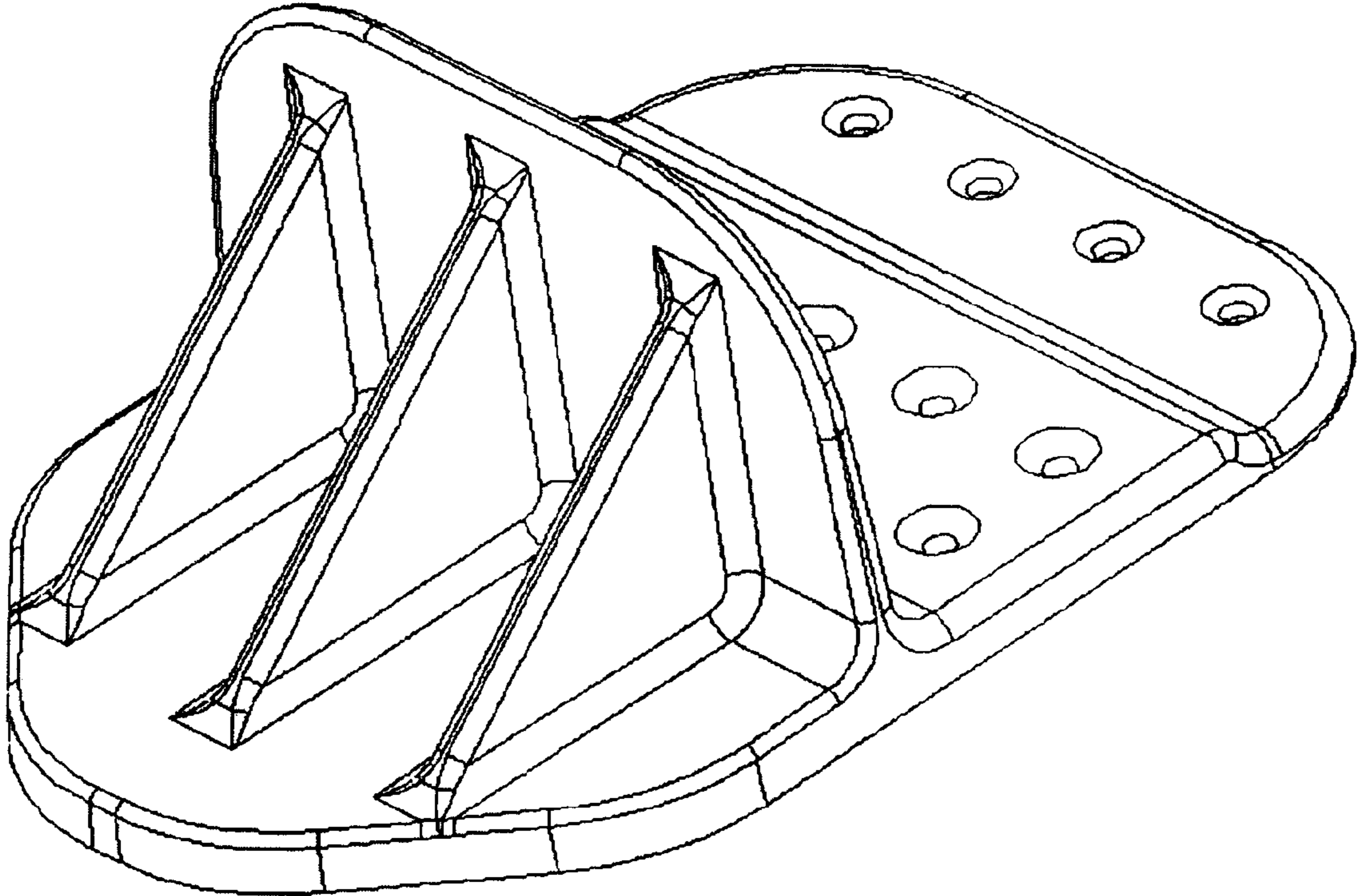


FIG. 7

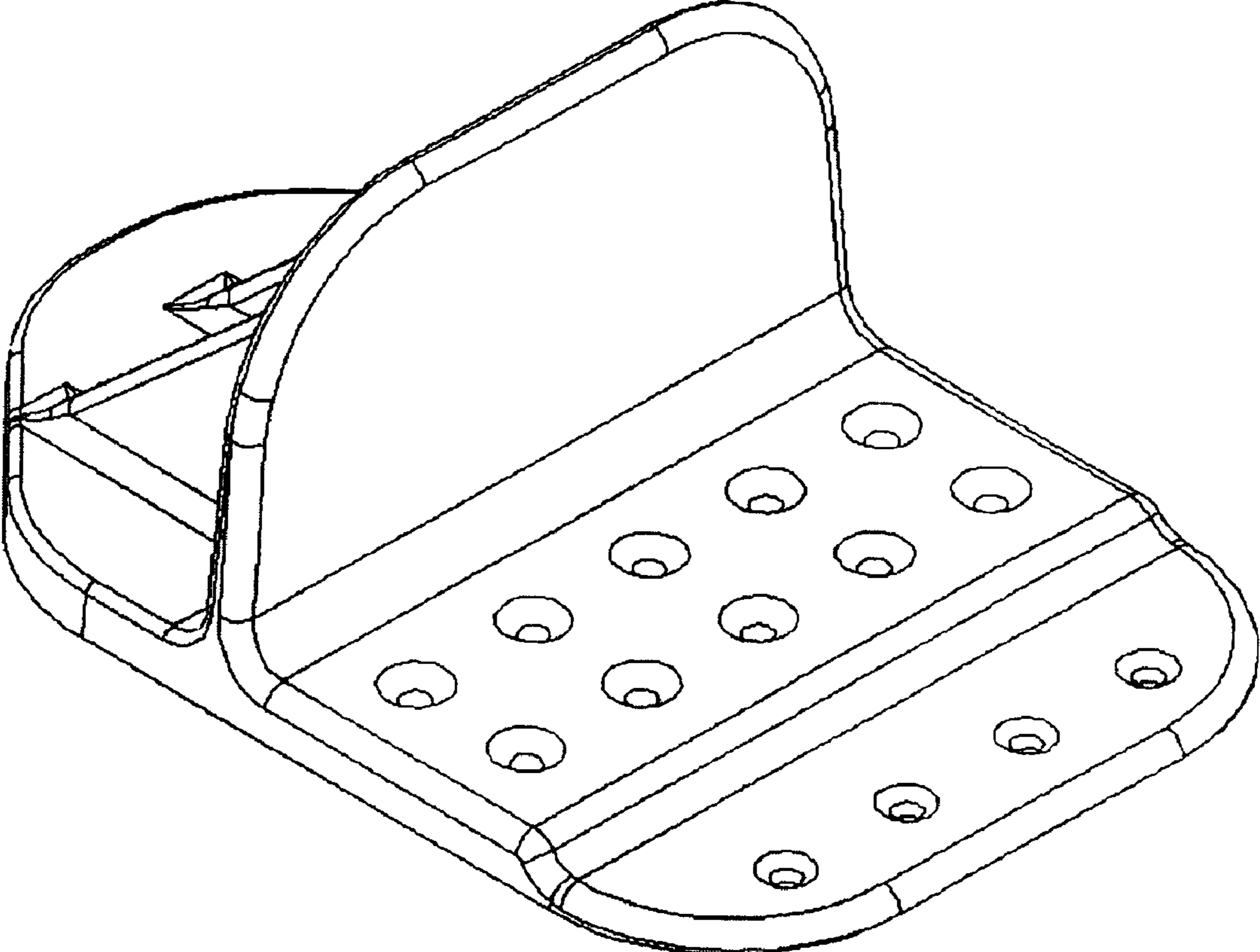


FIG. 8

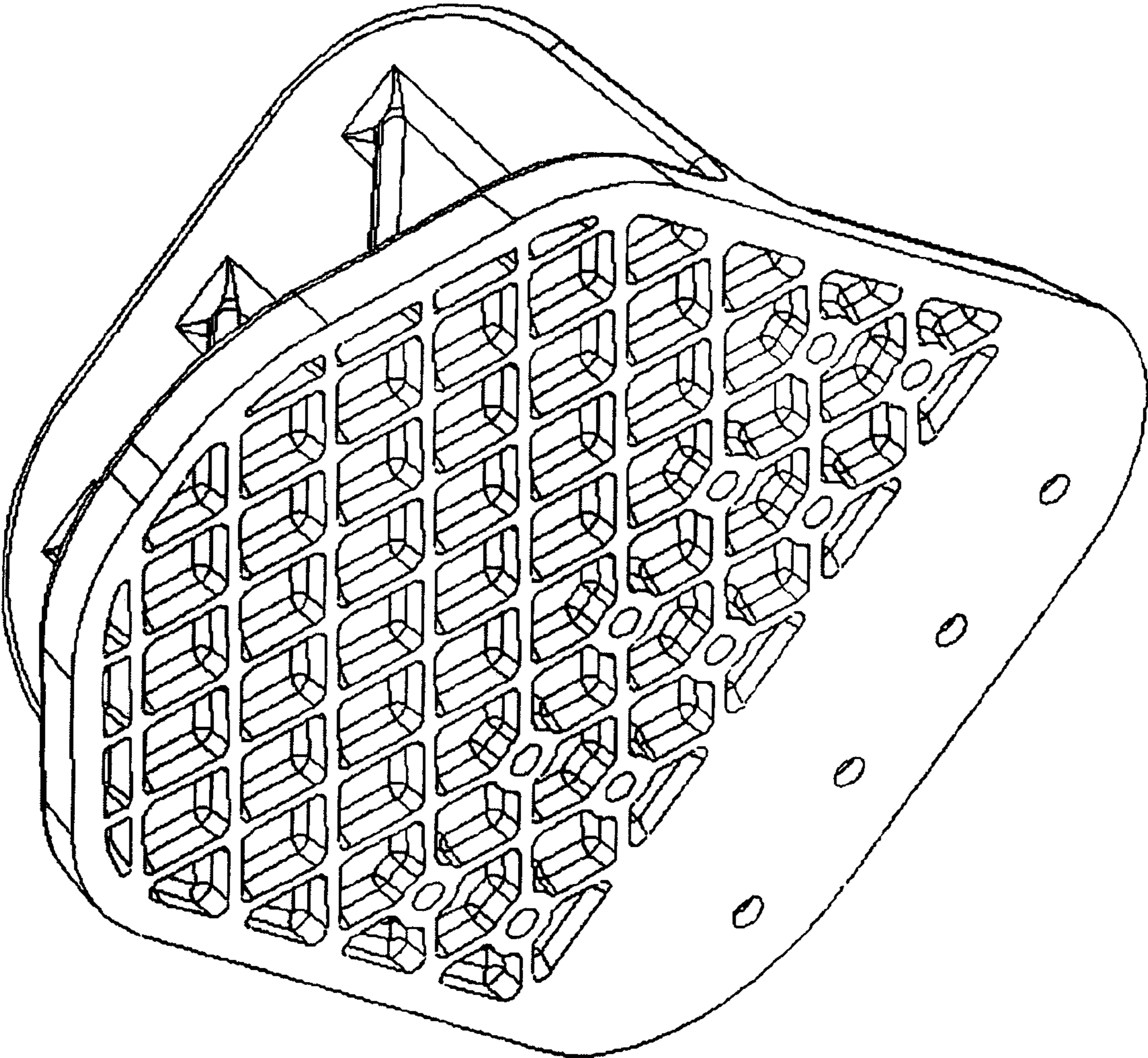


FIG. 9