



US00D512302S

(12) **United States Design Patent**
Velten

(10) **Patent No.: US D512,302 S**
(45) **Date of Patent: ** Dec. 6, 2005**

(54) **HAMMER NUT**

(75) Inventor: **Herbert Velten**, Ludwigsburg (DE)

(73) Assignee: **Bosch Rexroth Aktiengesellschaft**,
Stuttgart (DE)

(**) Term: **14 Years**

(21) Appl. No.: **29/197,202**

(22) Filed: **Jan. 12, 2004**

(30) **Foreign Application Priority Data**

Jul. 10, 2003 (DE) 4 03 04 809

(51) **LOC (8) Cl. 08-08**

(52) **U.S. Cl. D8/397**

(58) **Field of Search** D8/382, 387, 397,
D8/398, 399; 411/81, 98, 103, 106, 145,
146, 172, 179, 197, 204, 248, 337, 338,
368, 371.2, 372.5, 418, 427, 429, 430,
431, 432, 436, 437, 500, 511, 512, 14,
531, 532, 533, 535, 536, 537, 538, 542,
544, 918, 928; 70/229; 301/35.623, 111.01

(56) **References Cited**

U.S. PATENT DOCUMENTS

3,493,025 A * 2/1970 Van Huffel et al. 411/103
D322,929 S * 1/1992 Abbestam et al. D8/397
6,733,221 B2 * 5/2004 Linger 411/427
D499,010 S * 11/2004 Velten D8/387

* cited by examiner

Primary Examiner—Gary D. Watson

Assistant Examiner—T. Chase Nelson

(74) *Attorney, Agent, or Firm*—Sidley Austin Brown &
Wood, LLP

(57) **CLAIM**

The ornamental design for a hammer nut, as shown and
described.

DESCRIPTION

FIG. 1 shows a perspective view of a first embodiment of a
hammer nut according to my new design;

FIG. 2 shows a top view of the hammer nut shown in FIG. 1;

FIG. 3 shows a leftside view of the hammer nut shown in
FIG. 1 (the rightside view being the same);

FIG. 4 shows a front view of the hammer nut shown in FIG.
1 (the rear view being the same);

FIG. 5 shows a bottom view of the hammer nut shown in
FIG. 1;

FIG. 6 shows a perspective view of second embodiment of
a hammer nut according to my new design;

FIG. 7 shows a top view of the hammer nut shown in FIG.
6;

FIG. 8 shows a leftside view of the hammer nut shown in
FIG. 6 (the rightside view being the same);

FIG. 9 shows a front view of the hammer nut shown in FIG.
6 (the rear view being the same);

FIG. 10 shows a bottom view of the hammer nut shown in
FIG. 6;

FIG. 11 shows a perspective view of a third embodiment of
a hammer nut according to my new design;

FIG. 12 shows a top view of the hammer nut shown in FIG.
11;

FIG. 13 shows a leftside view of the hammer nut shown in
FIG. 11 (the rightside view being the same);

FIG. 14 shows a front view of the hammer nut shown in FIG.
11 (the rear view being the same);

FIG. 15 shows a bottom view of the hammer nut shown in
FIG. 11;

FIG. 16 shows a perspective view of a fourth embodiment of
a hammer nut according to my new design;

FIG. 17 shows a top view of the hammer nut shown in FIG.
16;

FIG. 18 shows a leftside view of the hammer nut shown in
FIG. 16 (the rightside view being the same);

FIG. 19 shows a shows a front view of the hammer nut
shown in FIG. 16 (the rear view being the same);

FIG. 20 shows a bottom view of the hammer nut shown in
FIG. 16;

FIG. 21 shows a perspective view of a fifth embodiment of
a hammer nut according to my new design;

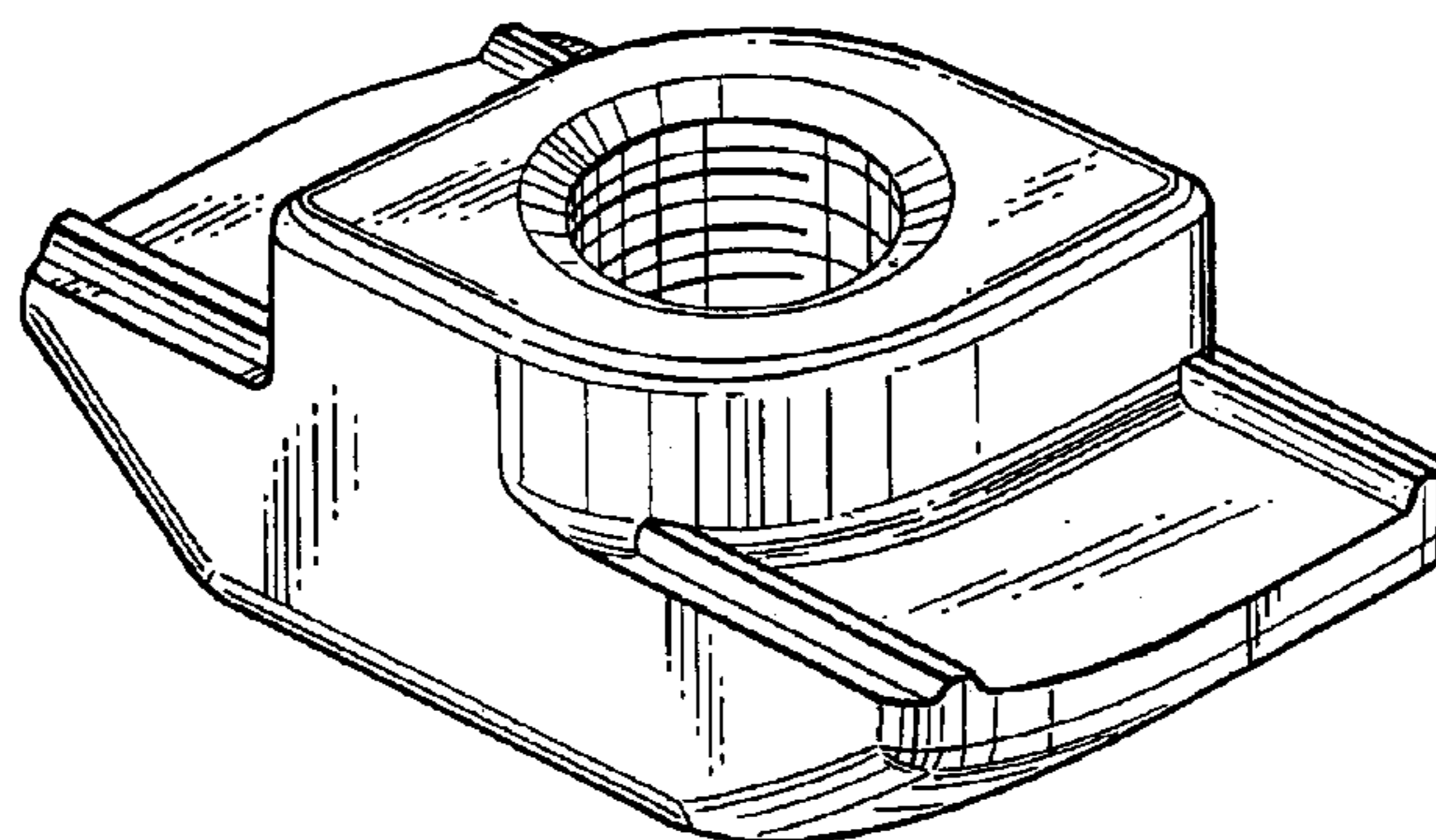
FIG. 22 shows a top view of the hammer nut shown in FIG.
21;

FIG. 23 shows a leftside view of the hammer nut shown in
FIG. 21 (the rightside view being the same);

FIG. 24 shows a front view of the hammer nut shown in FIG.
21 (the rear view being the same); and,

FIG. 25 shows a bottom view of the hammer nut shown in
FIG. 21.

1 Claim, 10 Drawing Sheets



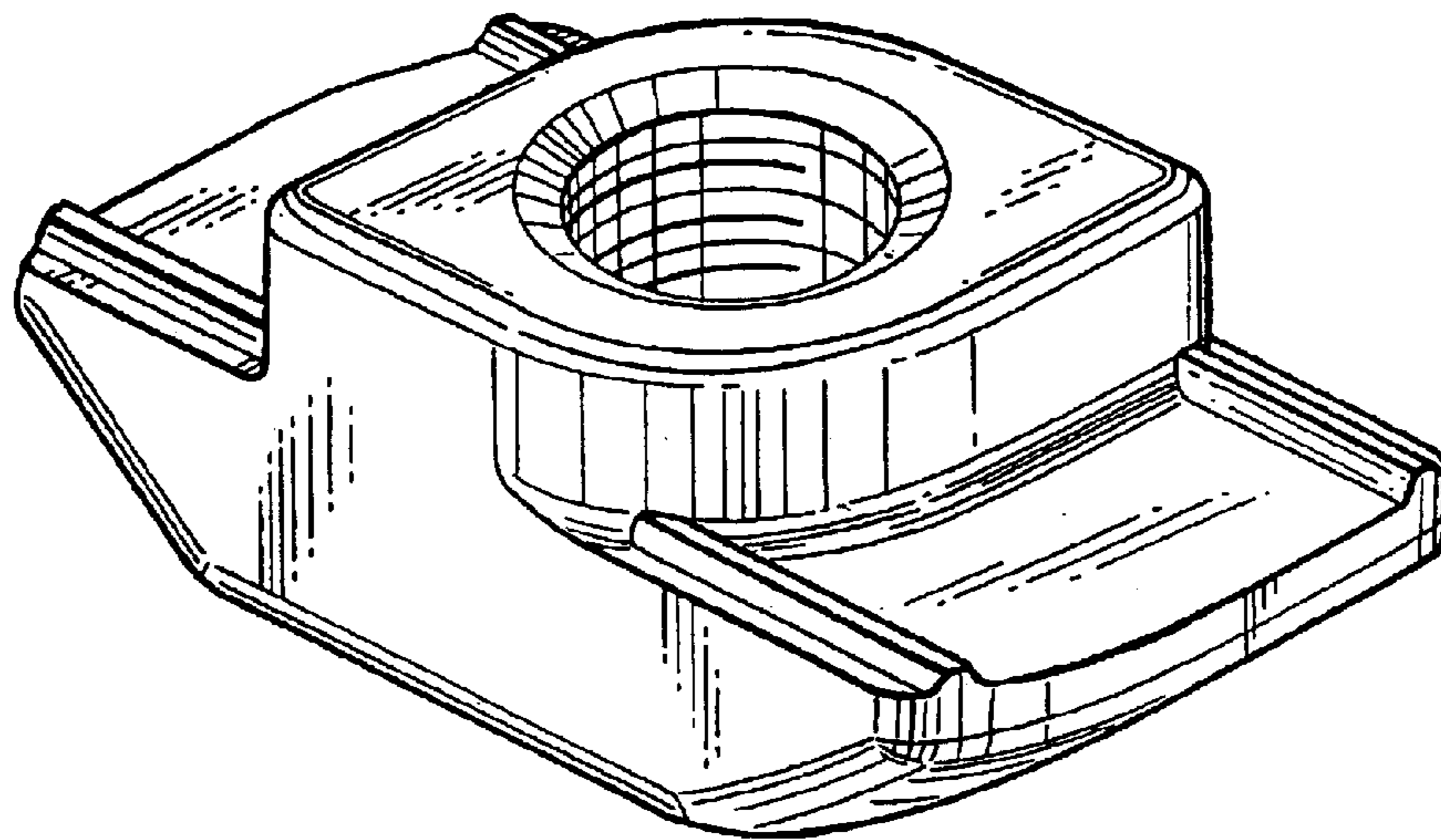


FIG. 1

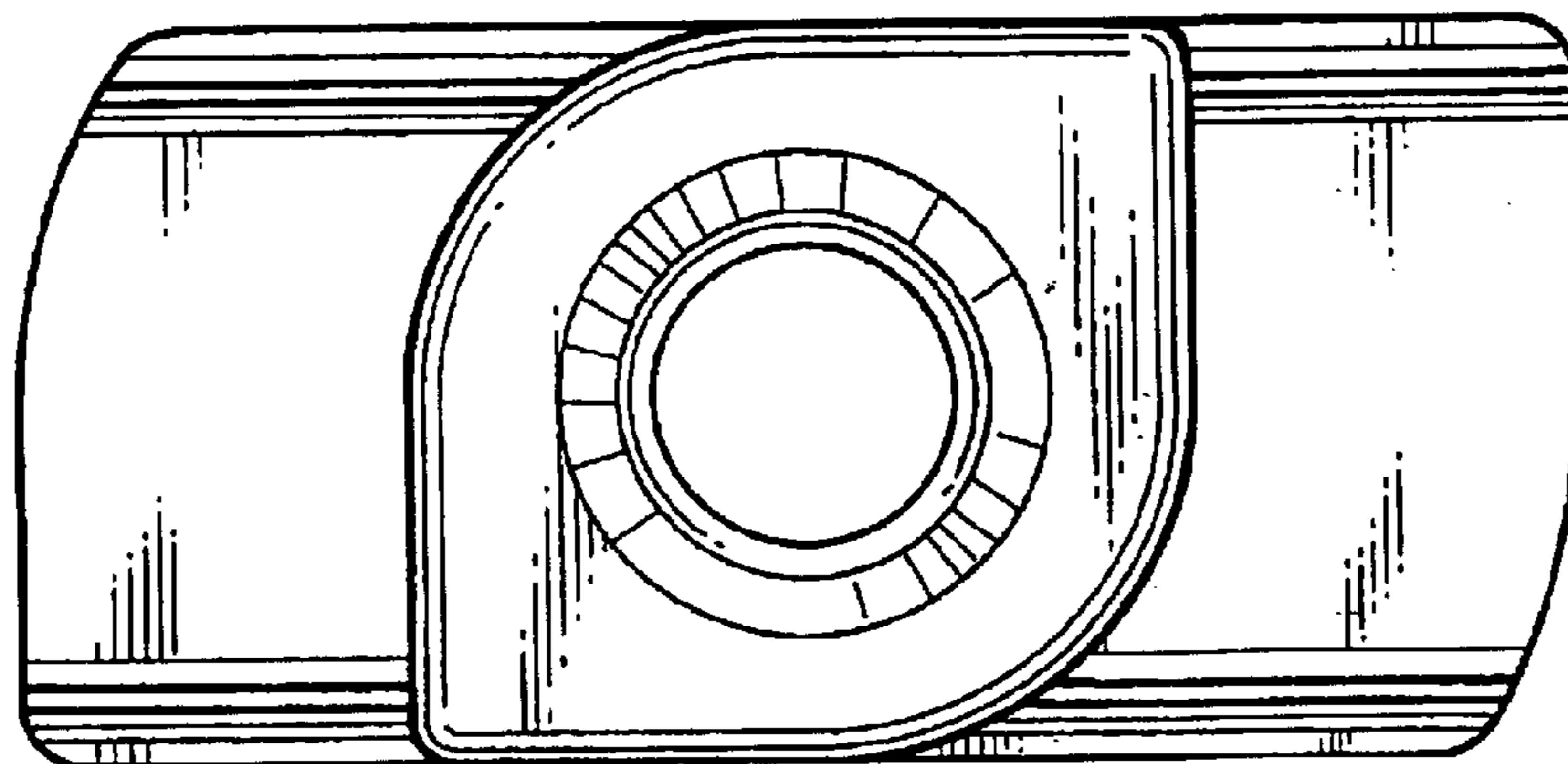


FIG. 2

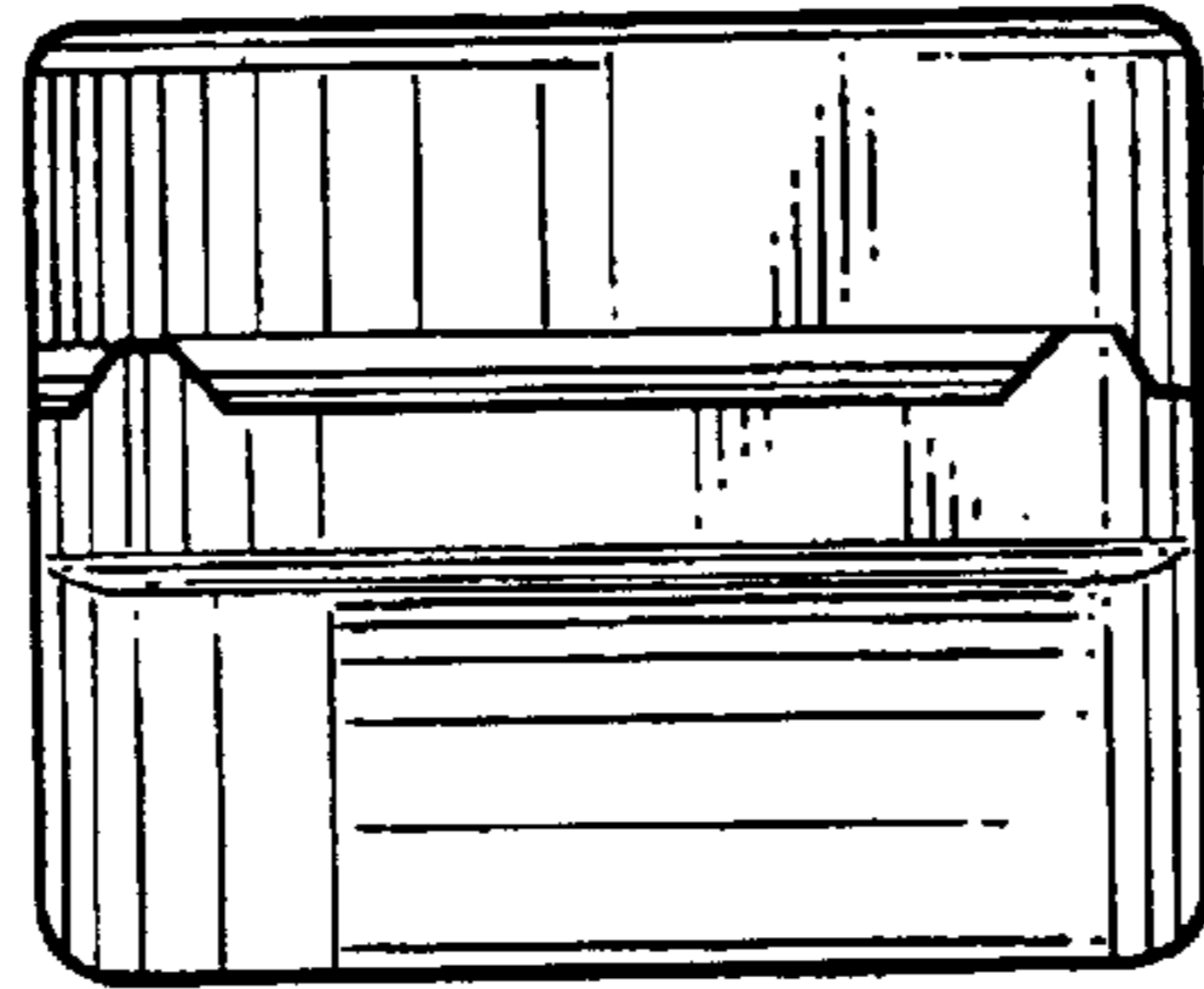


FIG. 3

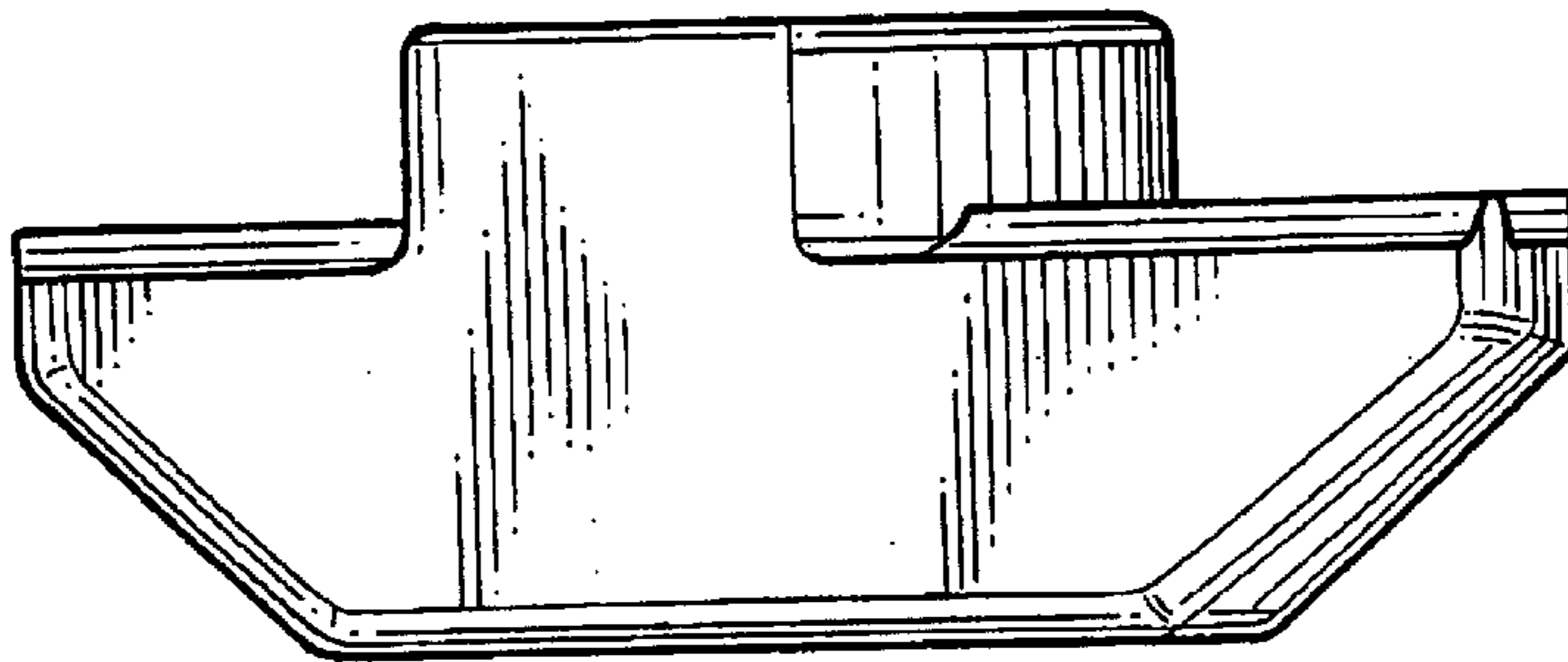


FIG. 4

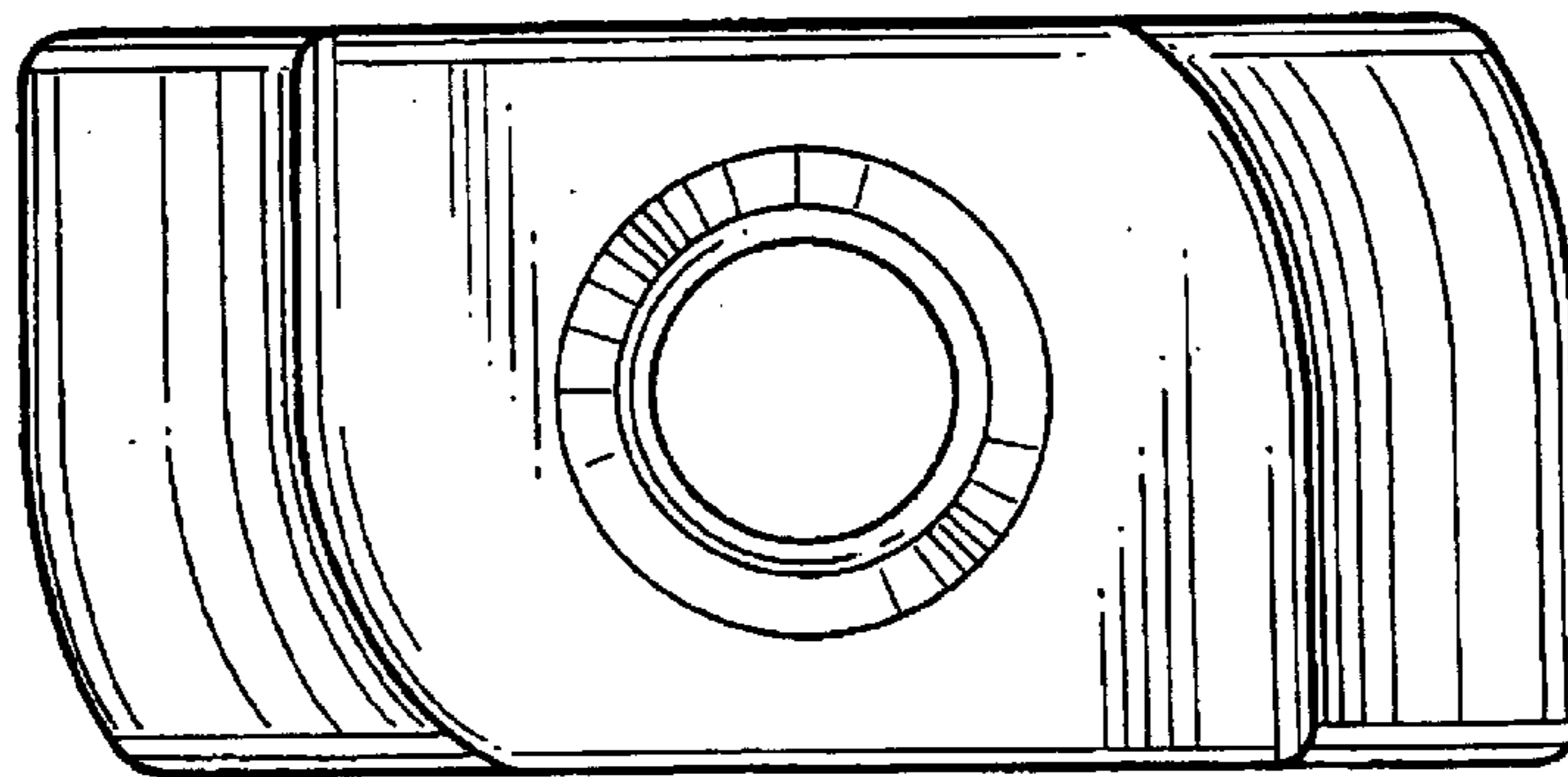


FIG. 5

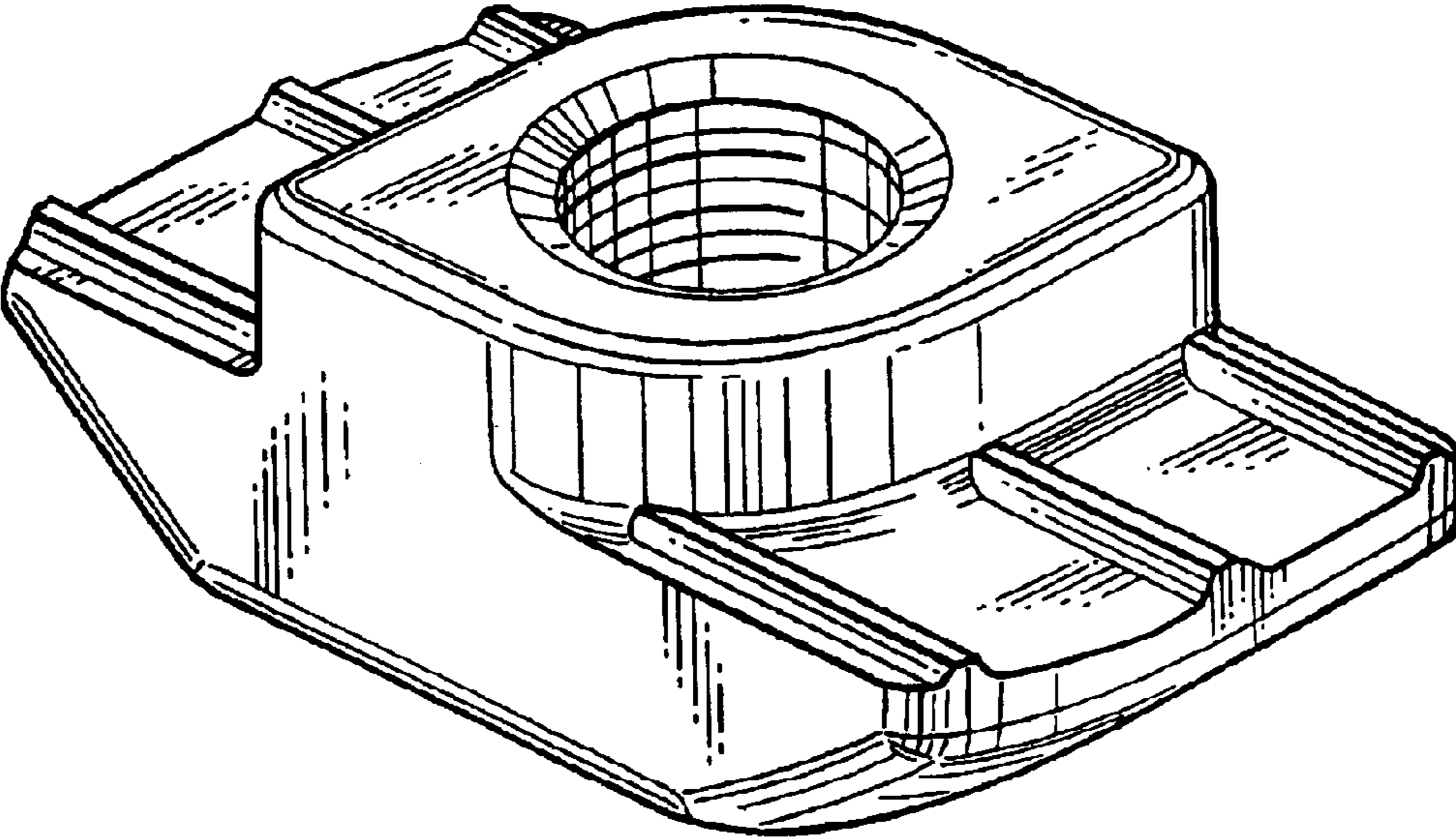


FIG. 6

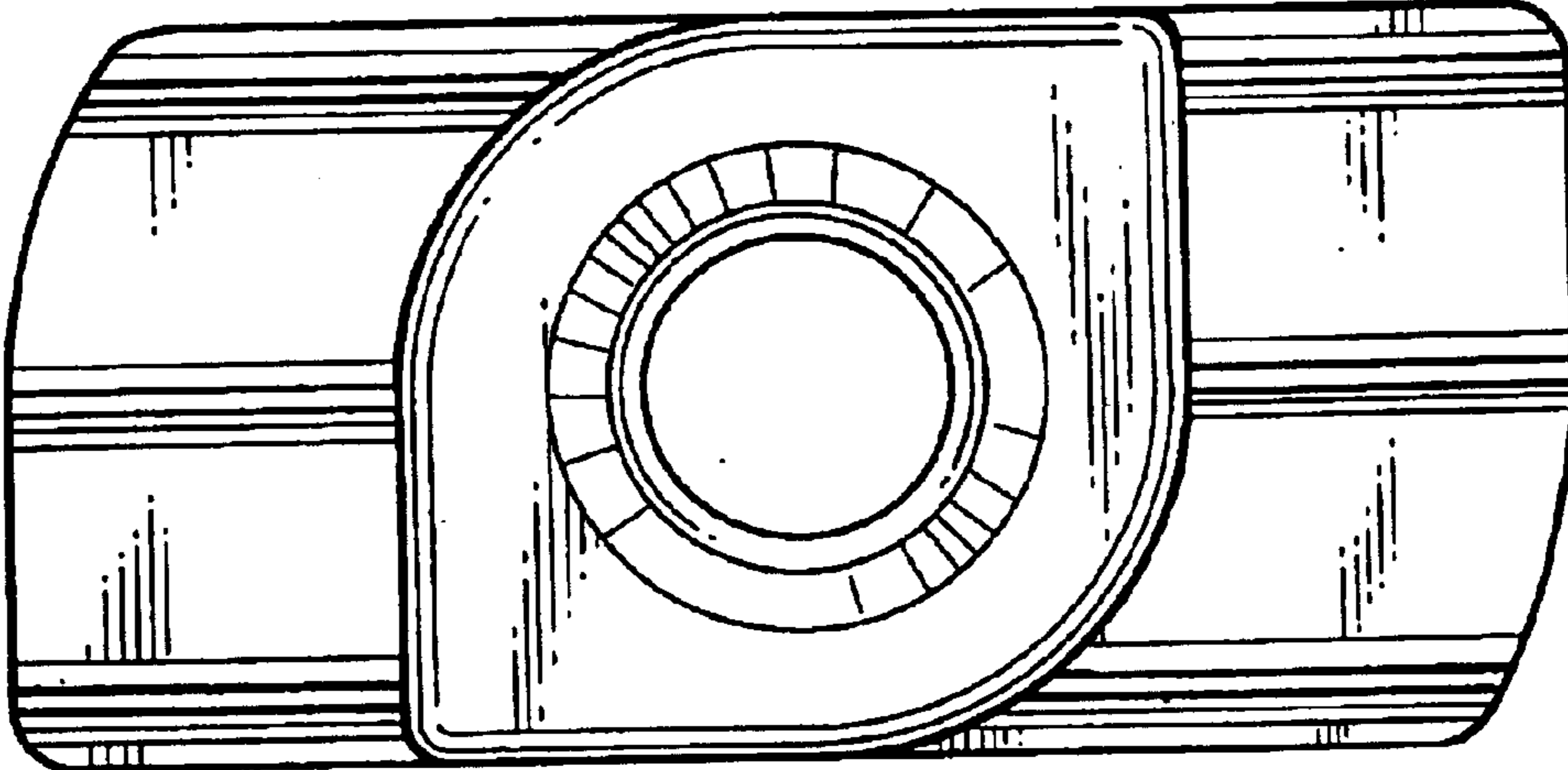


FIG. 7

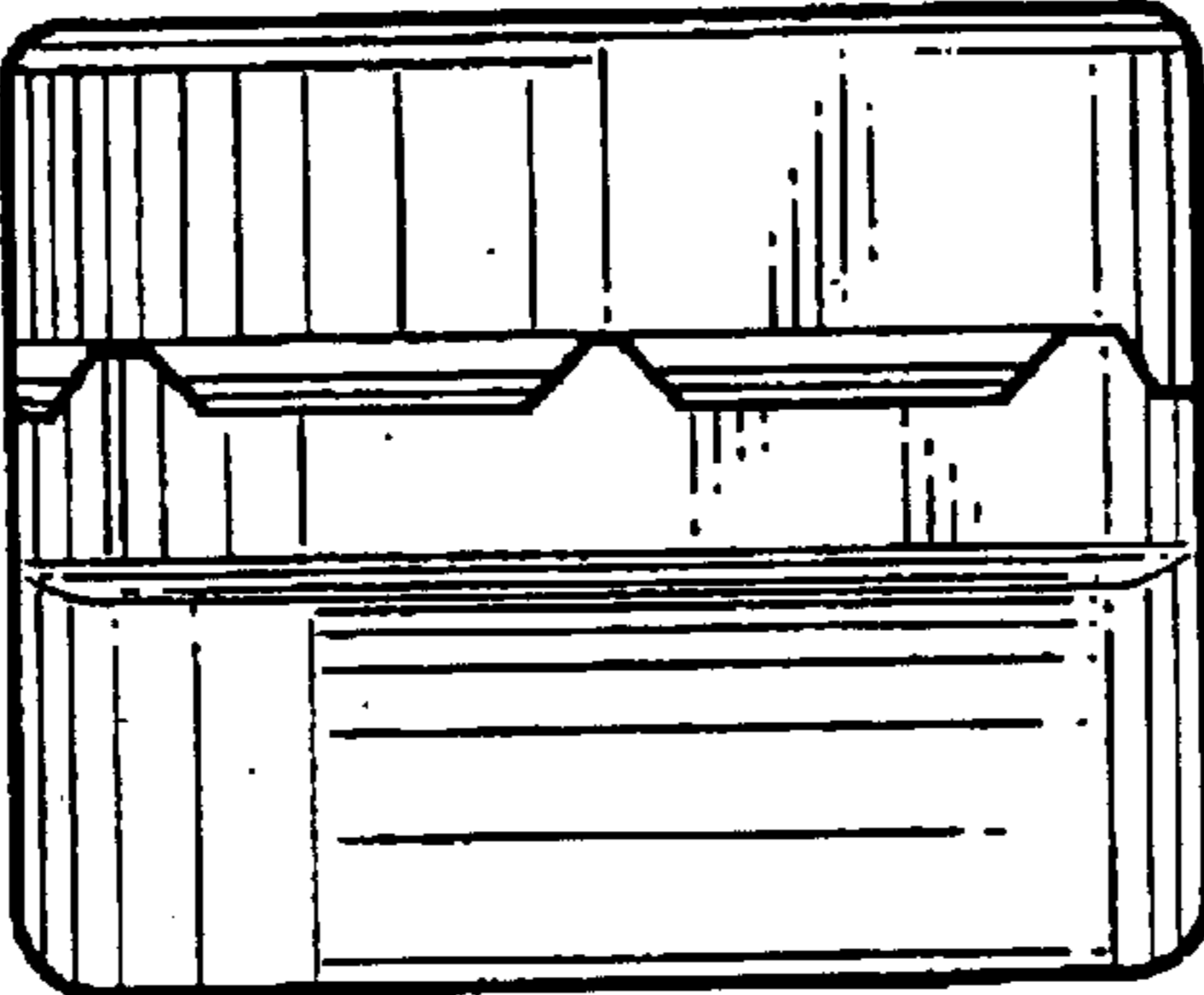


FIG. 8

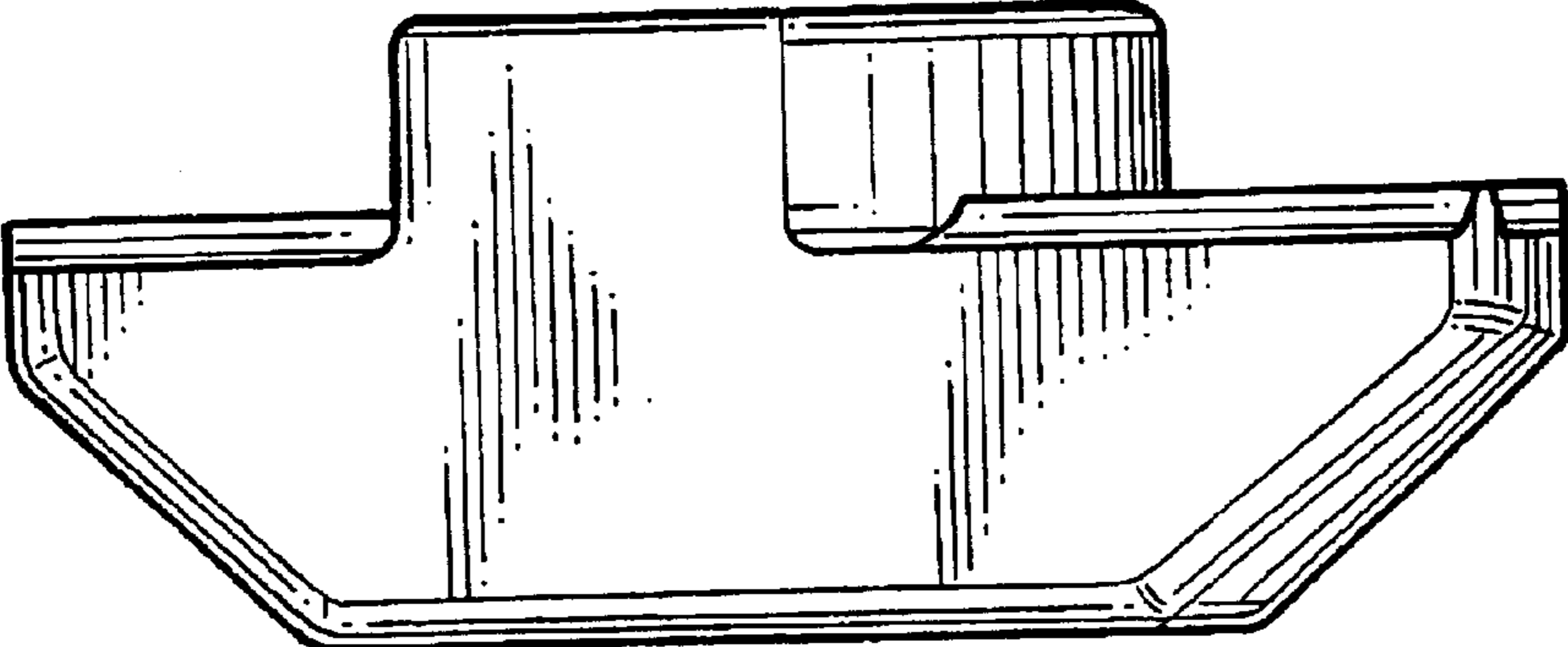


FIG. 9

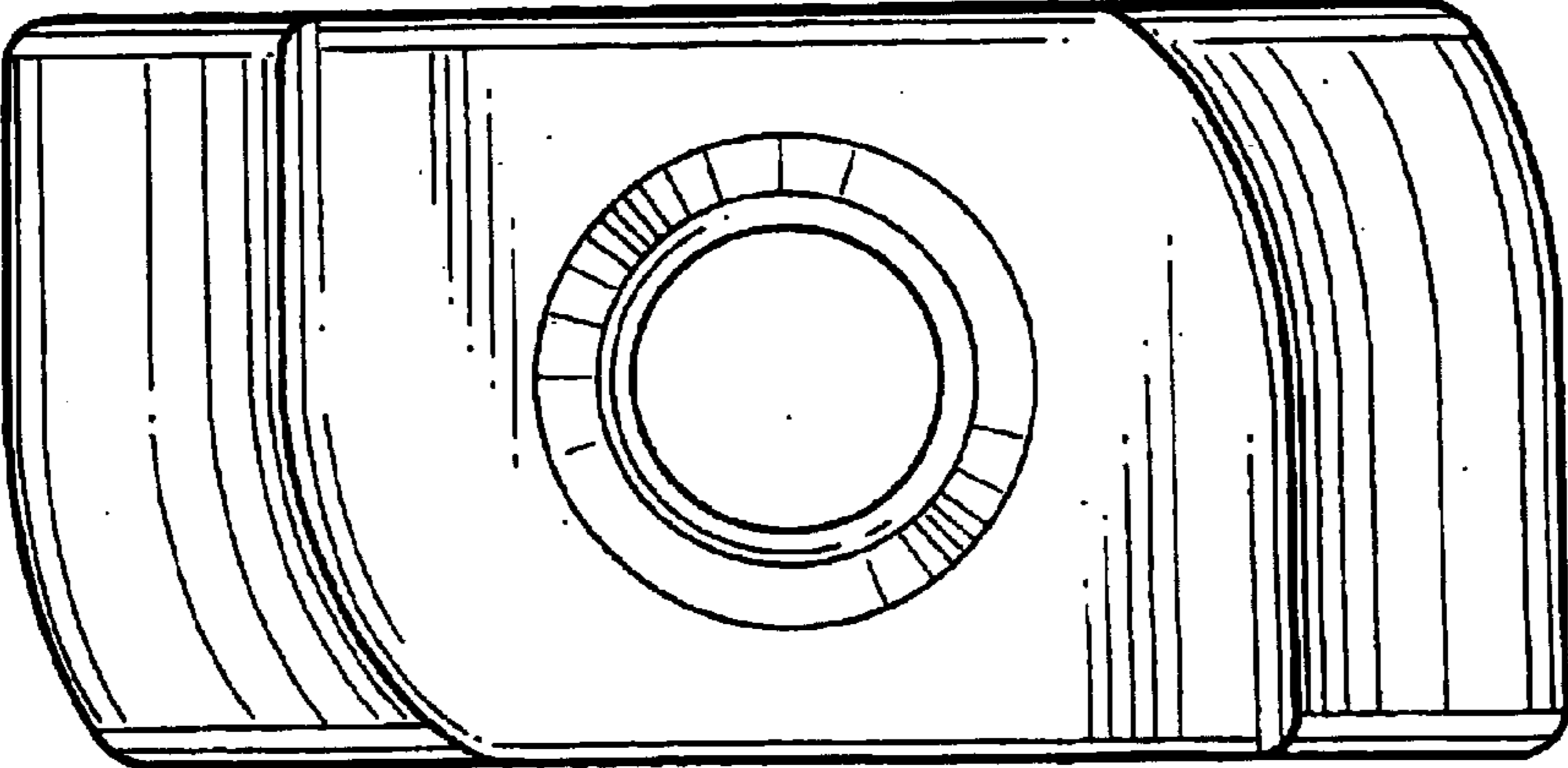


FIG. 10

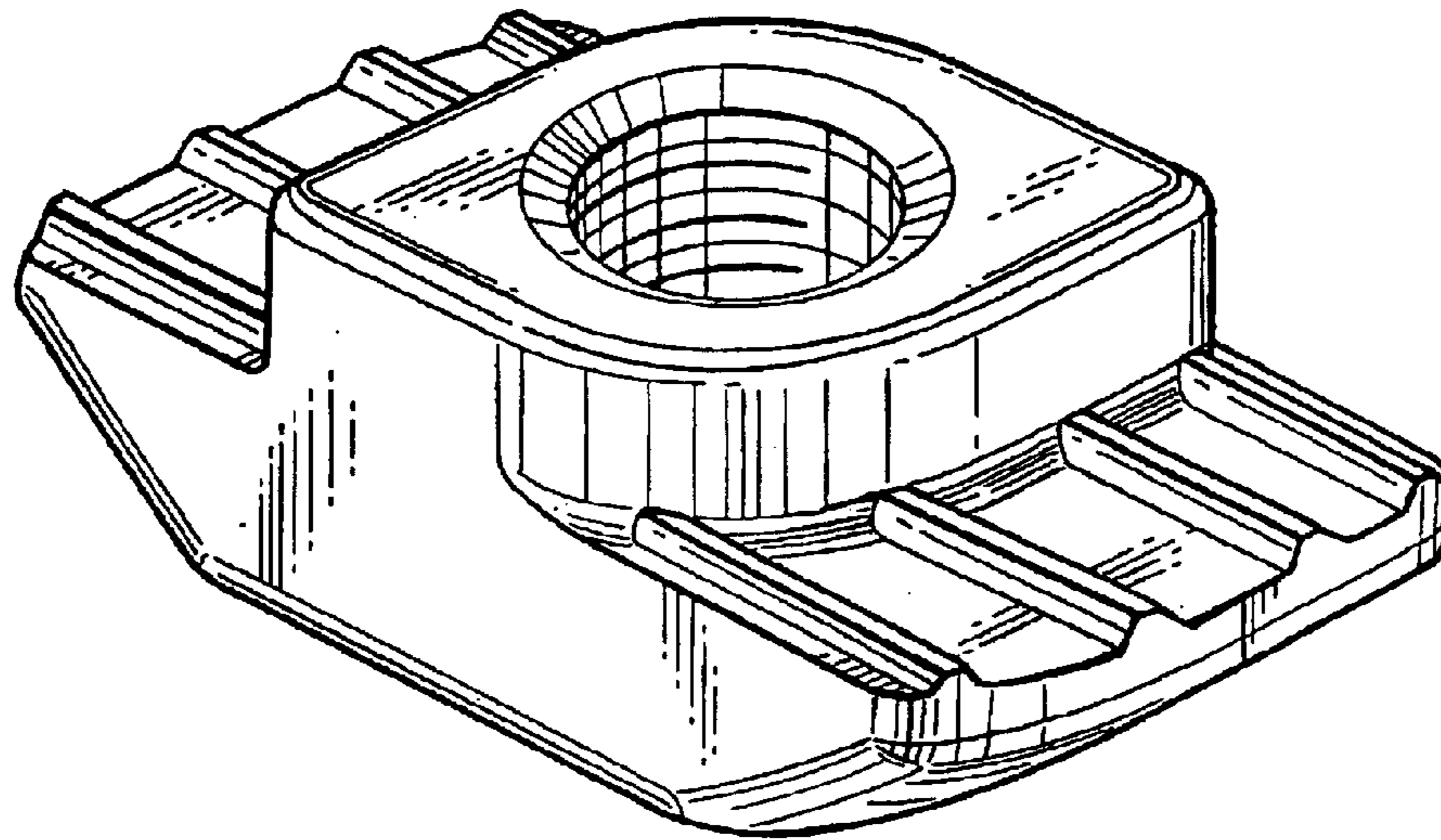


FIG. 11

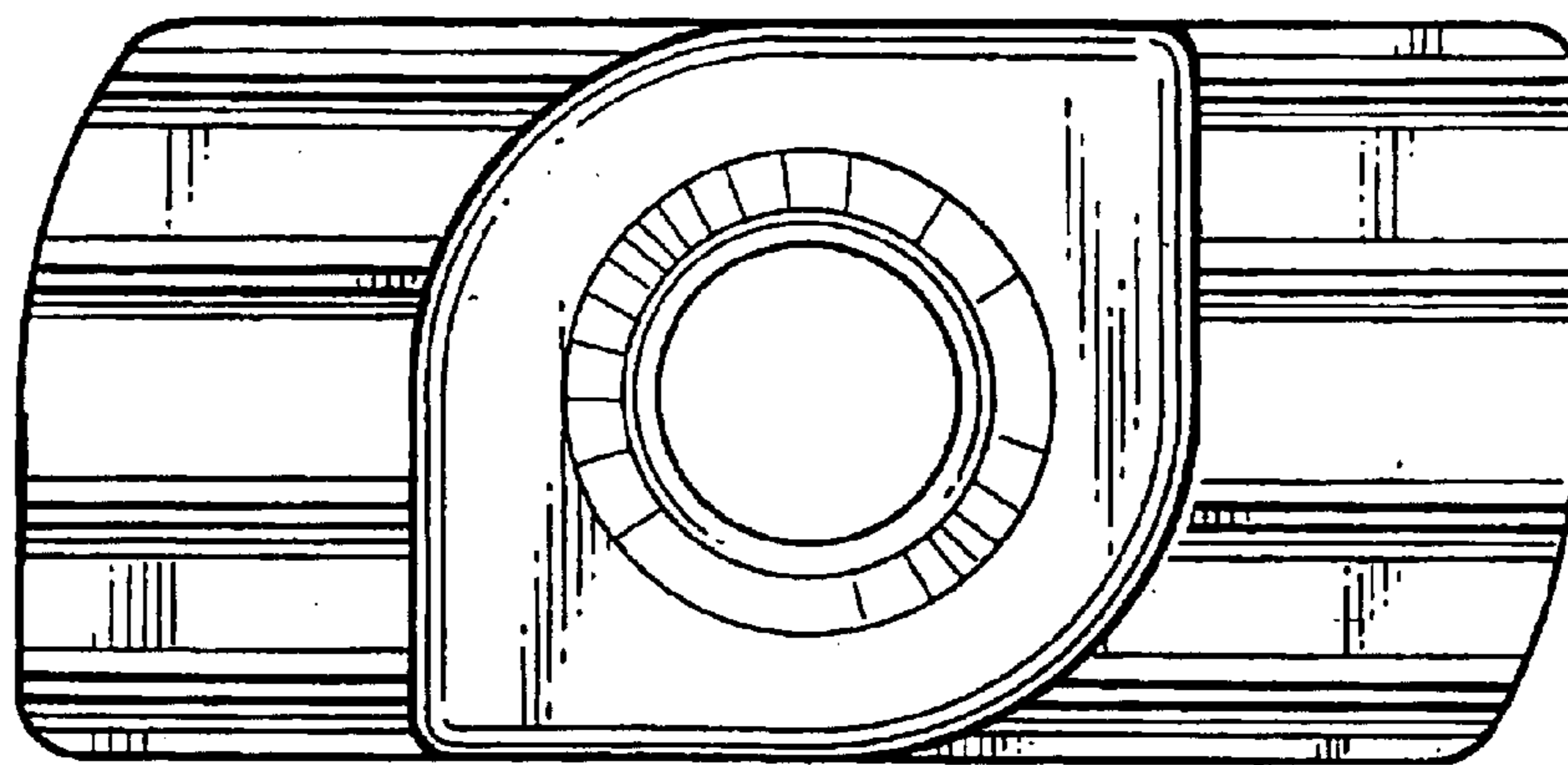


FIG. 12

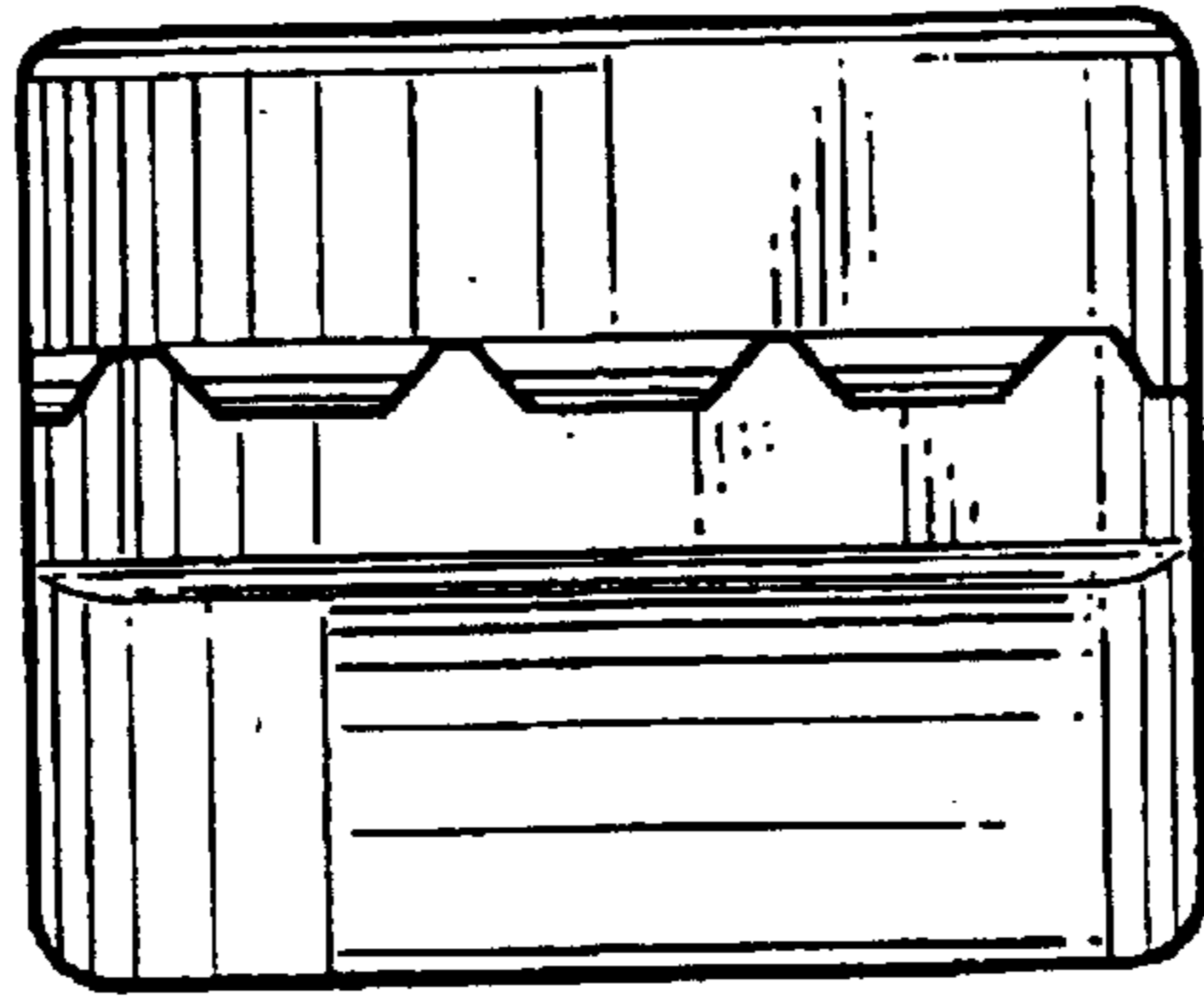


FIG.13

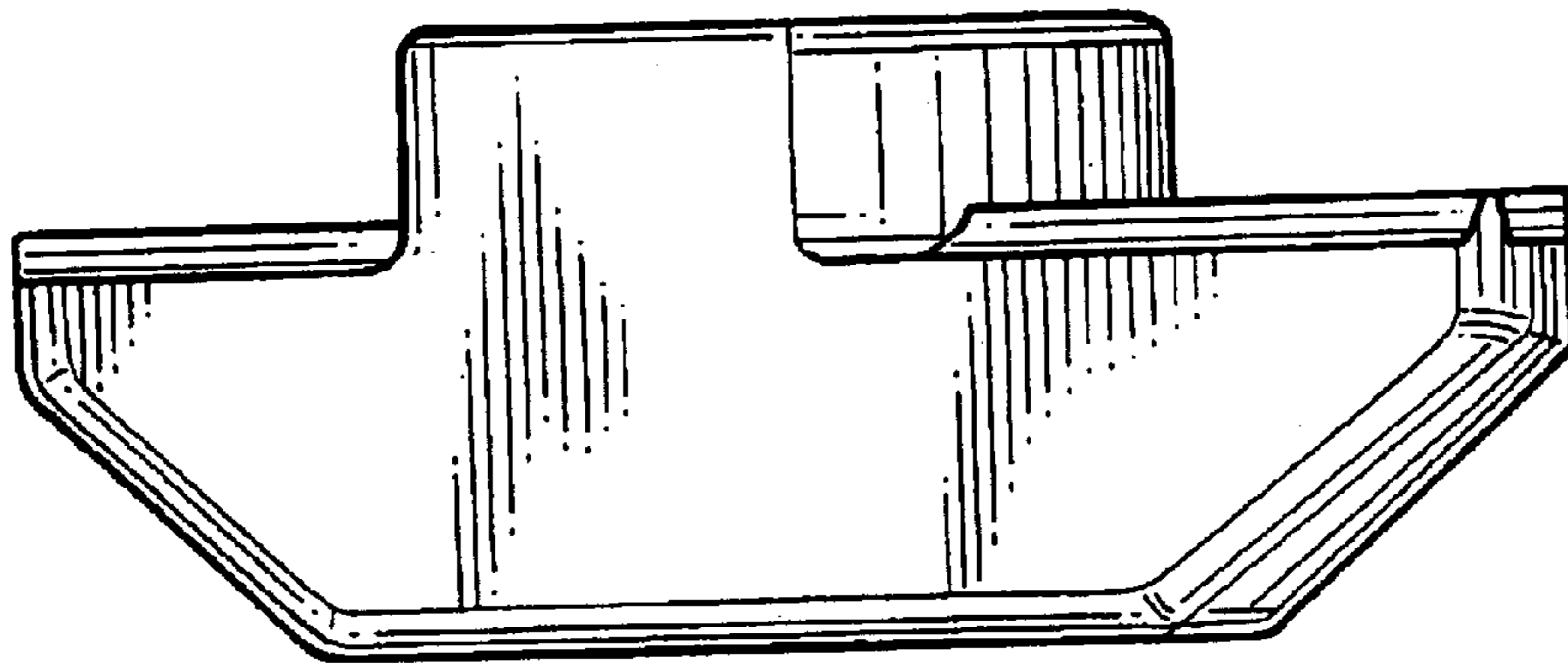


FIG.14

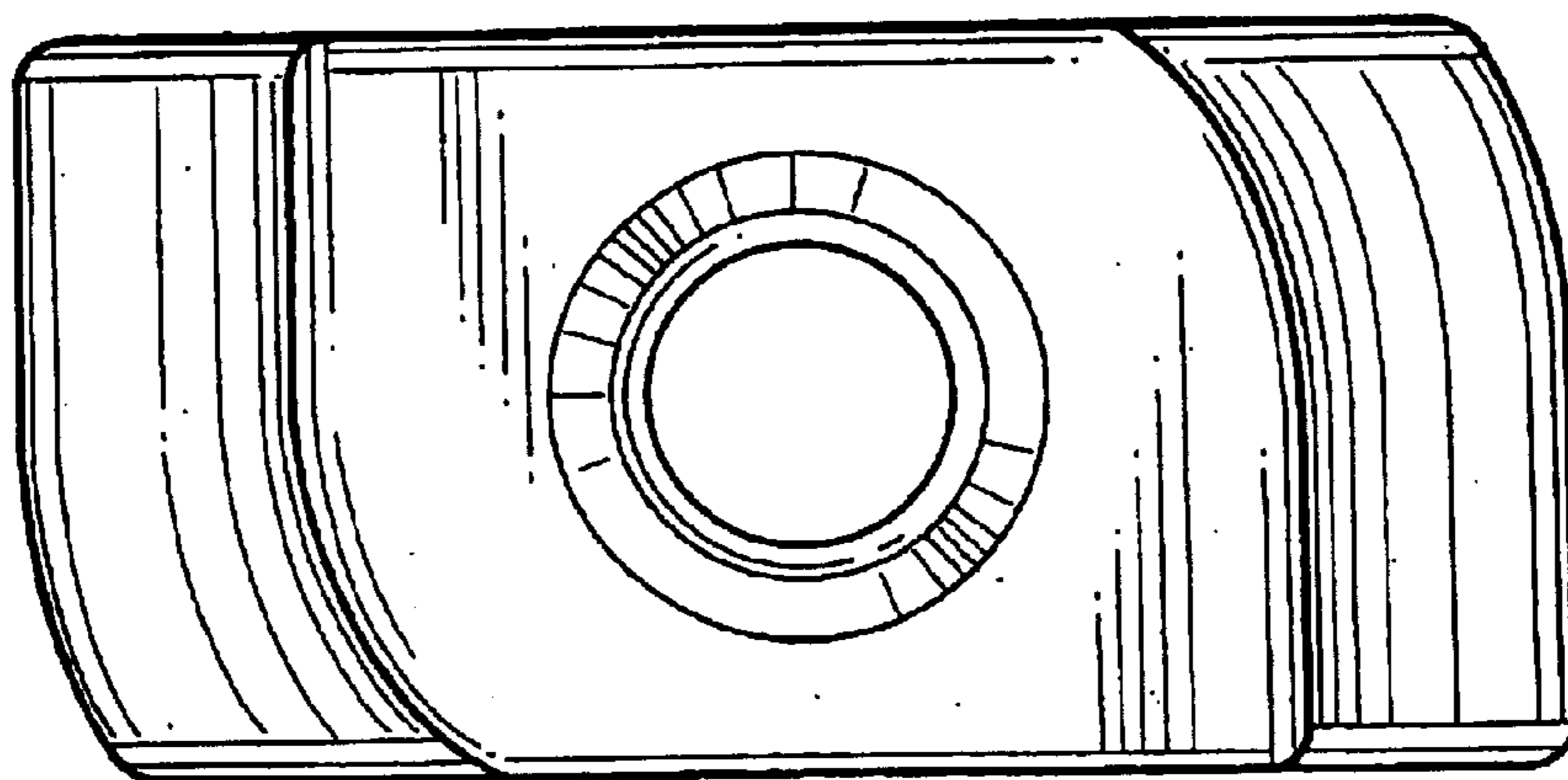


FIG.15

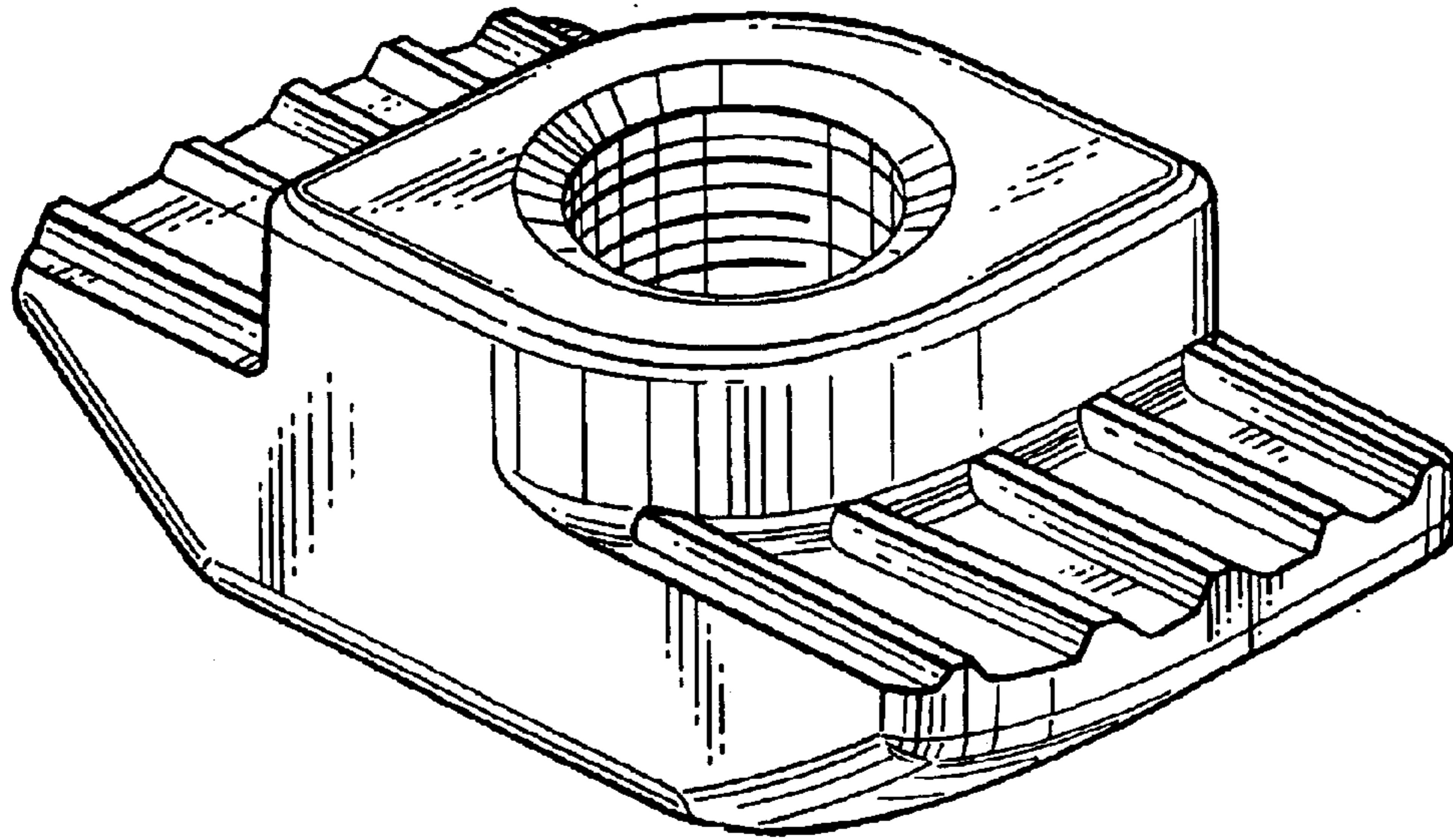


FIG. 16

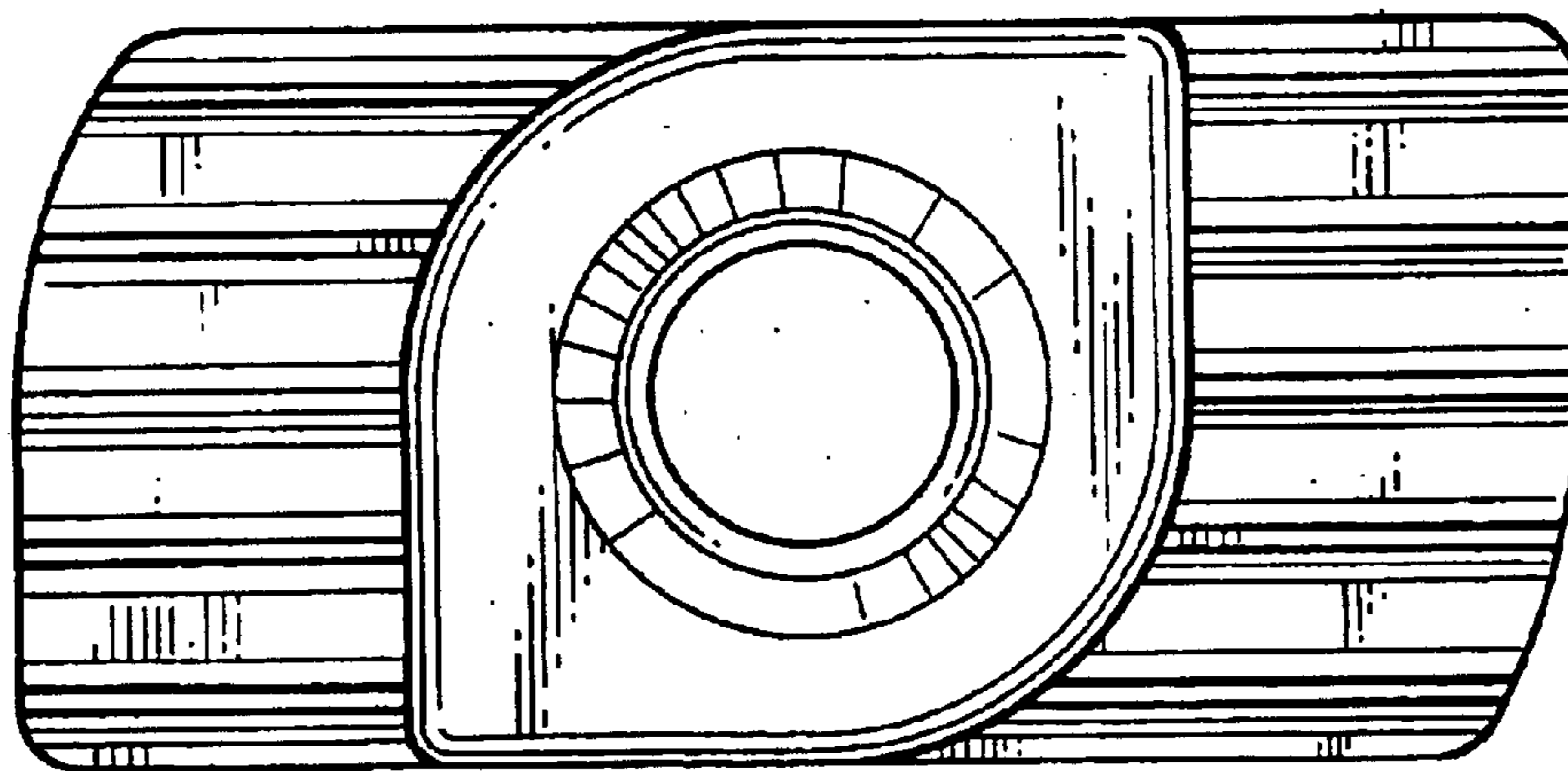


FIG. 17

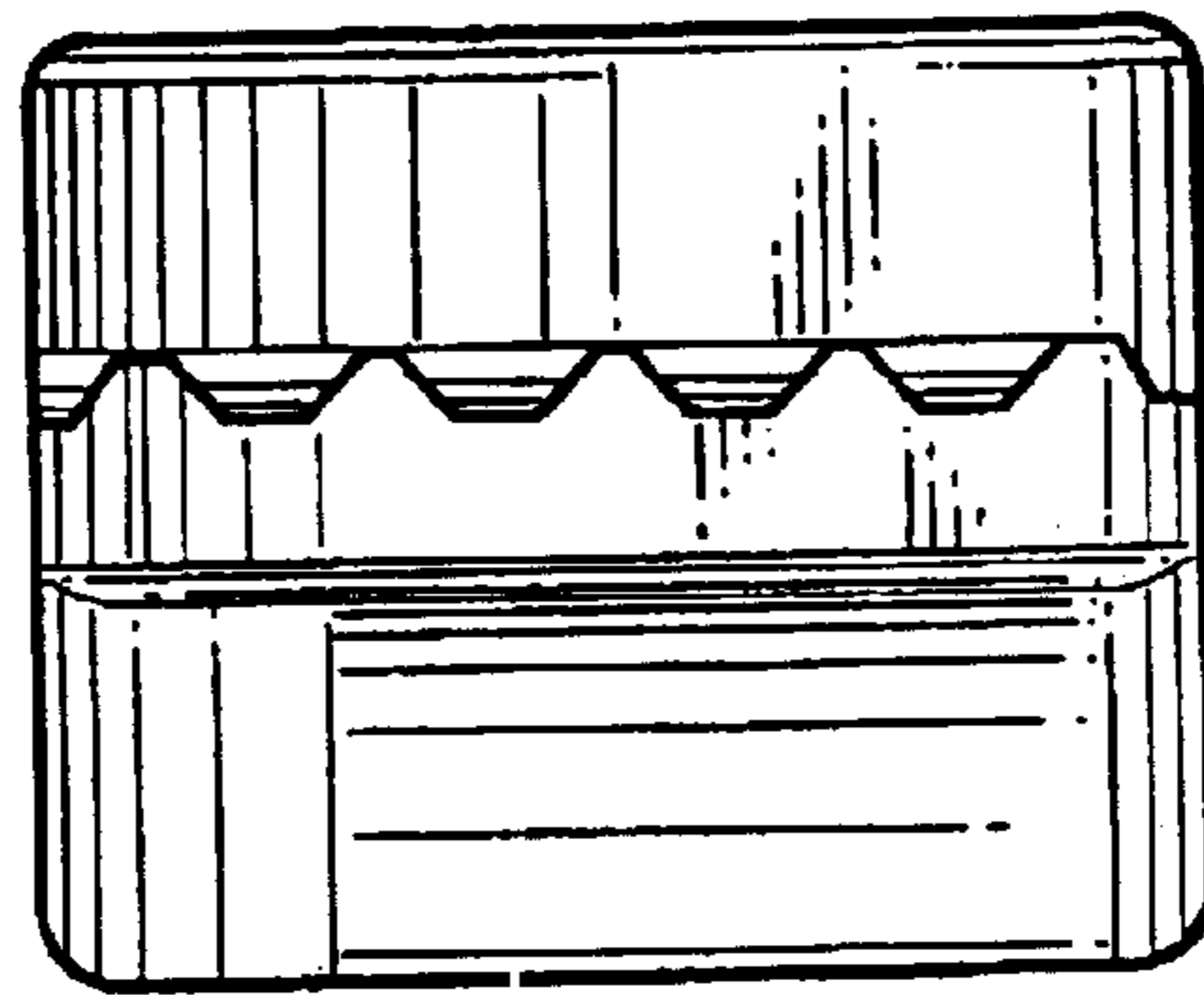


FIG. 18

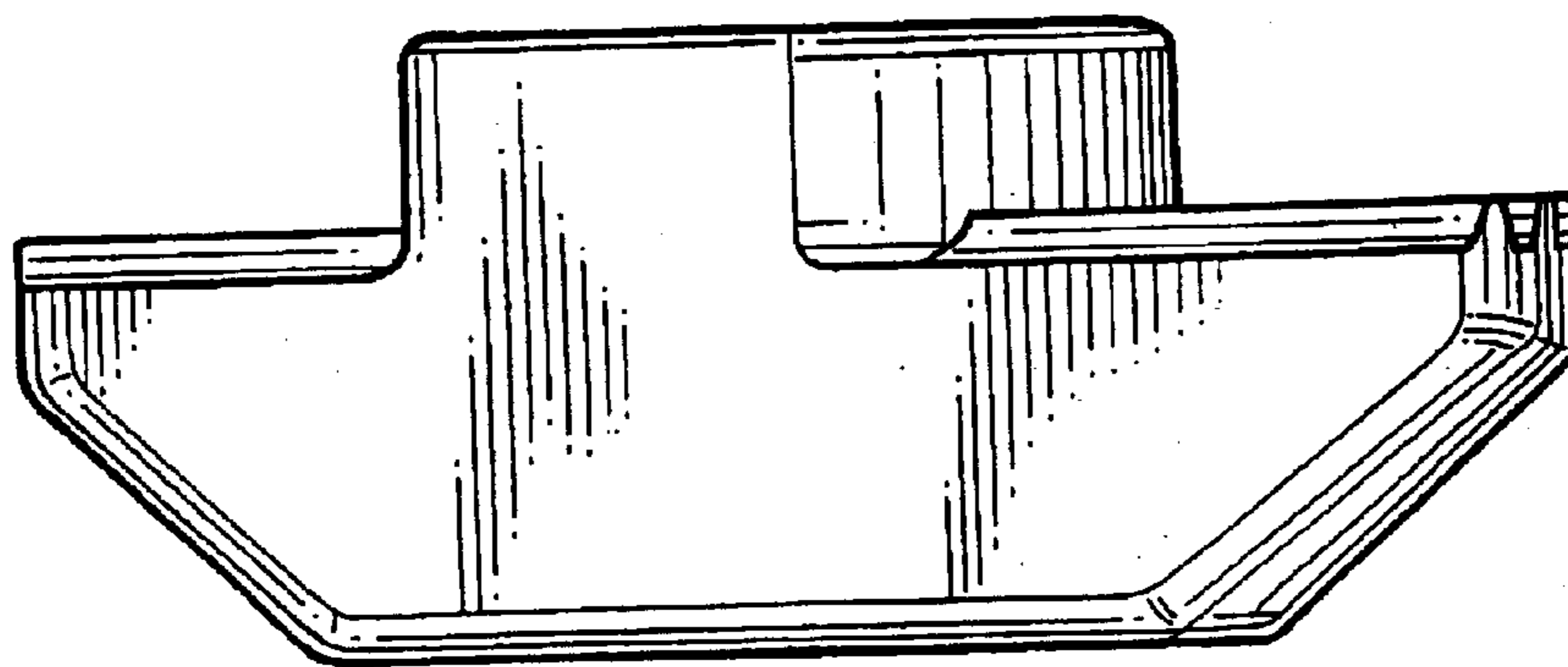


FIG. 19

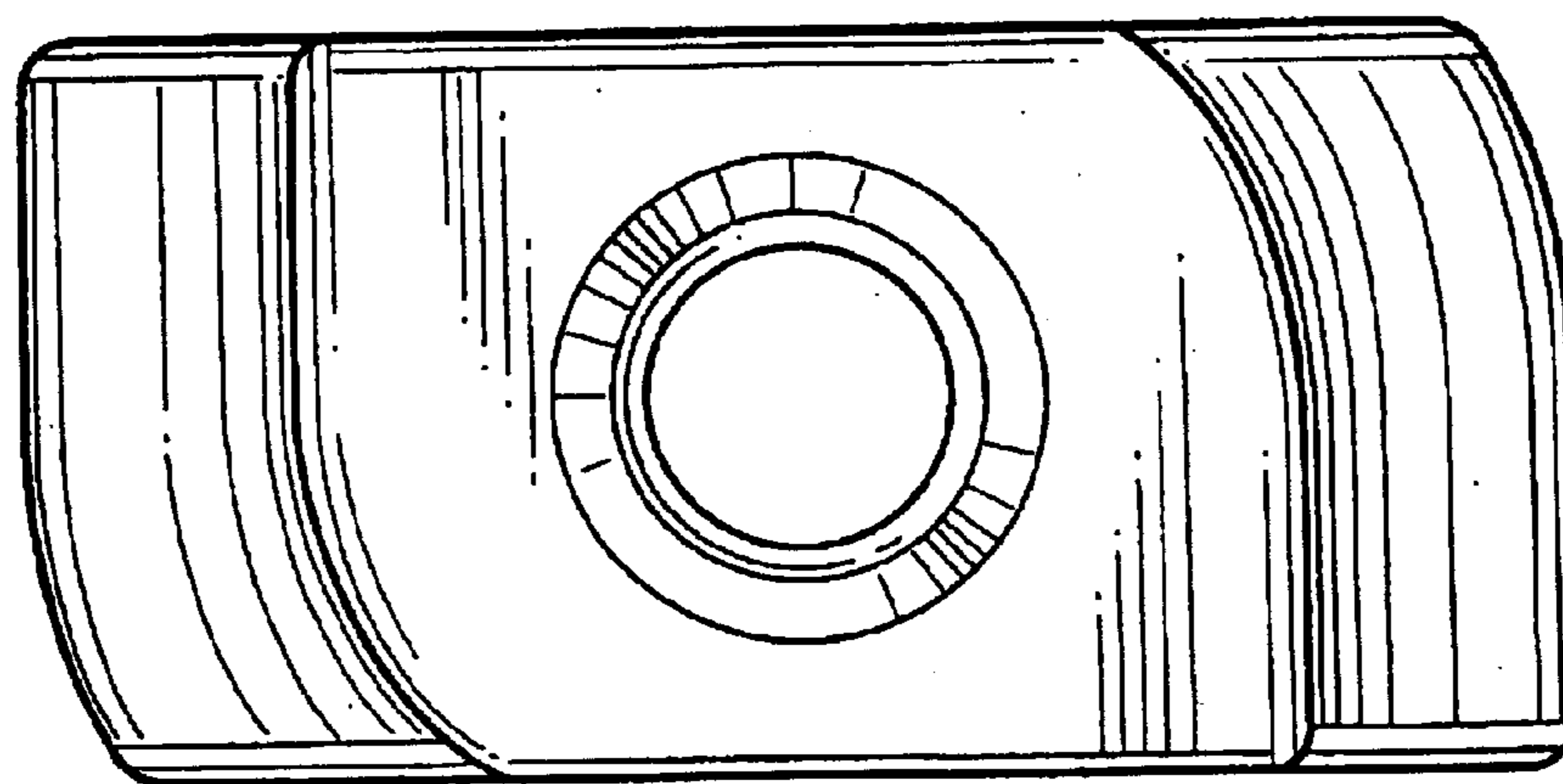


FIG. 20

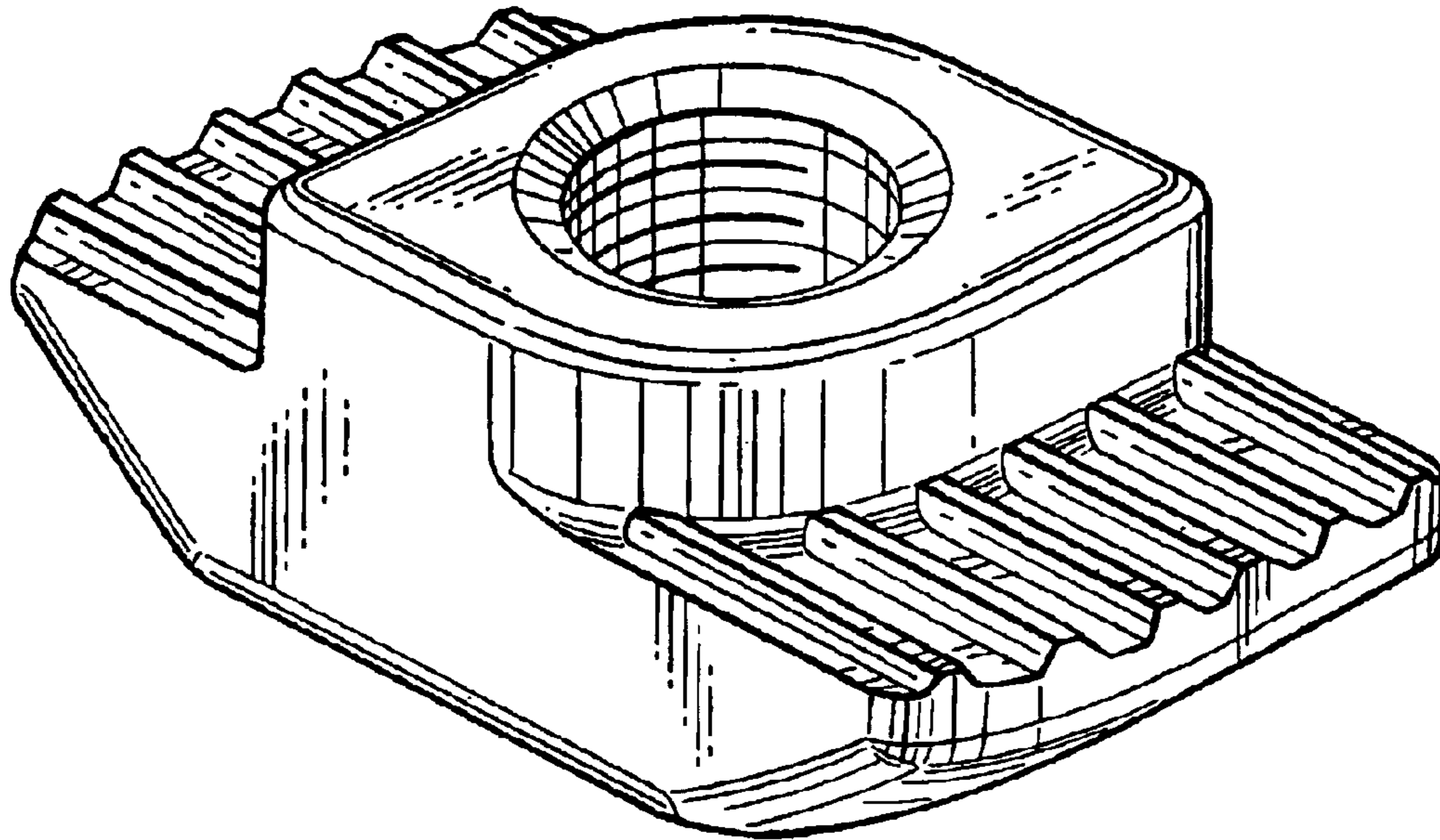


FIG. 21

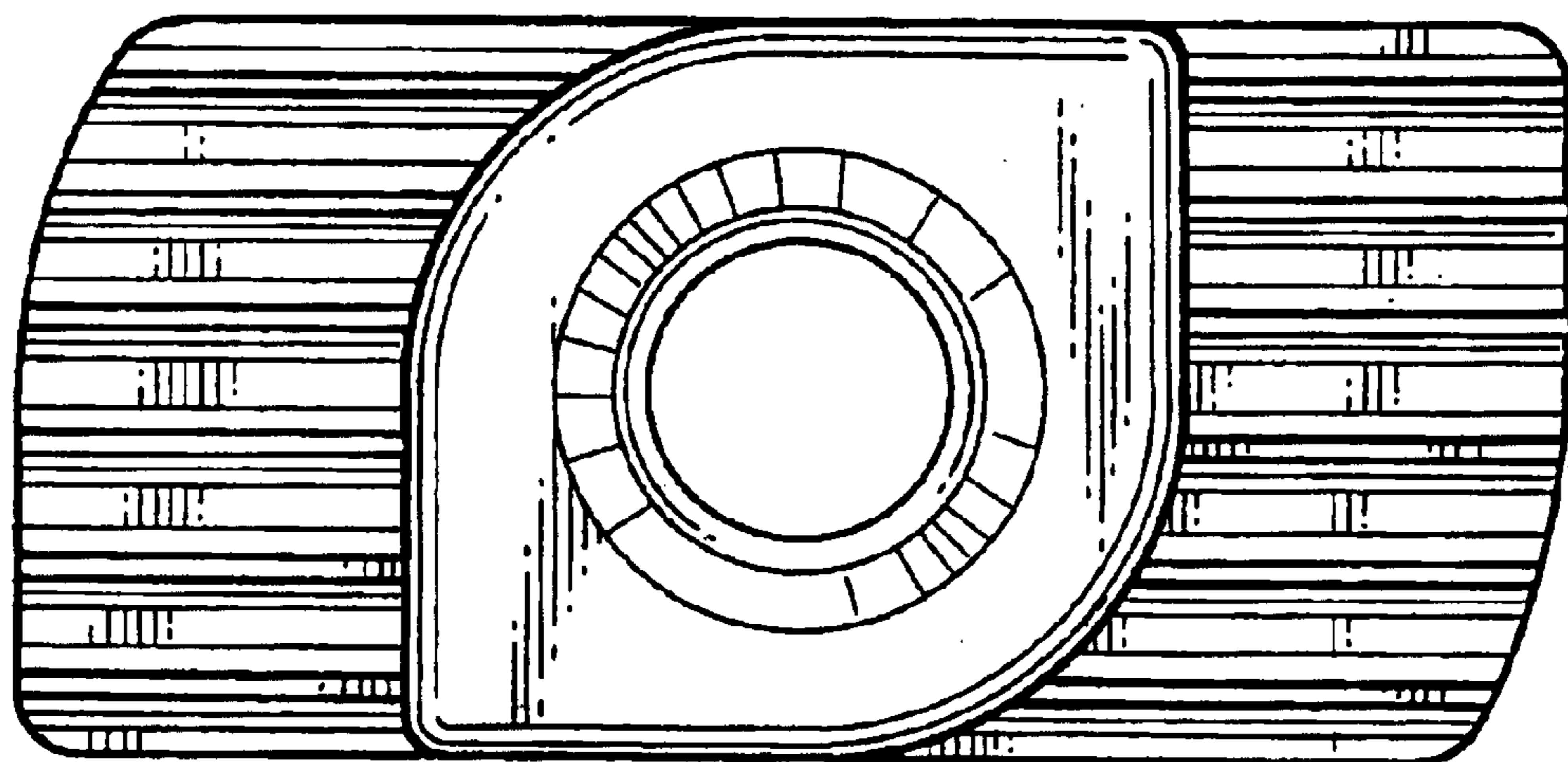


FIG. 22

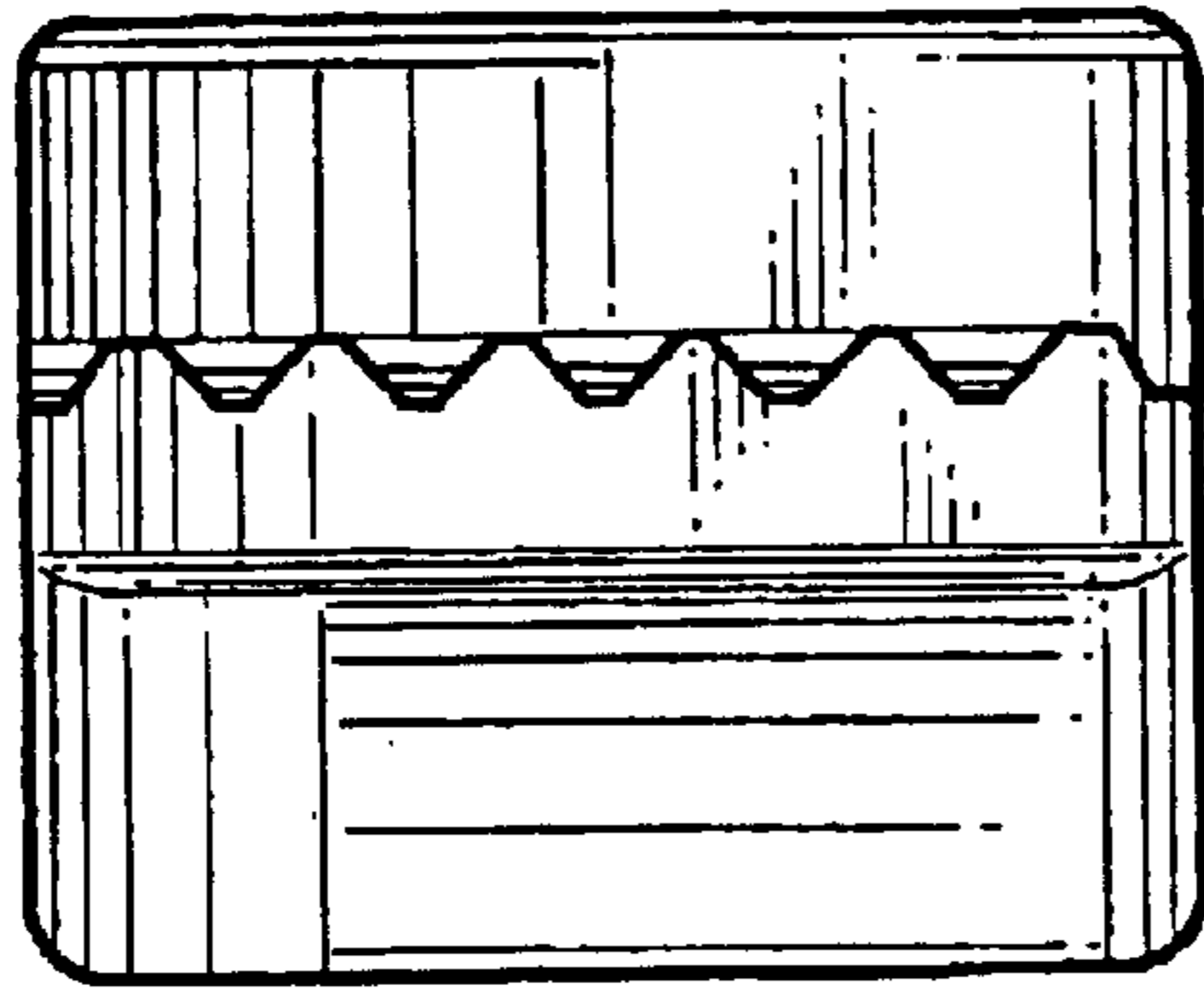


FIG. 23

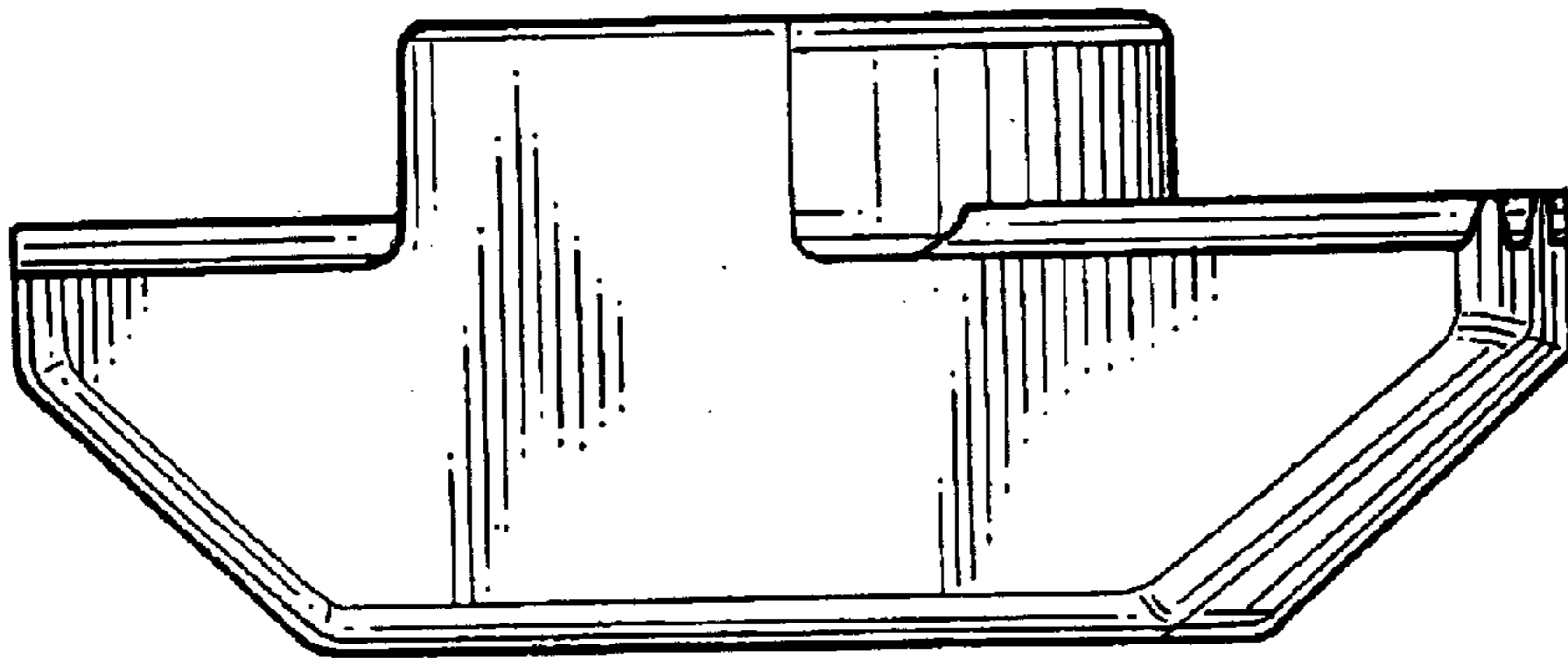


FIG. 24

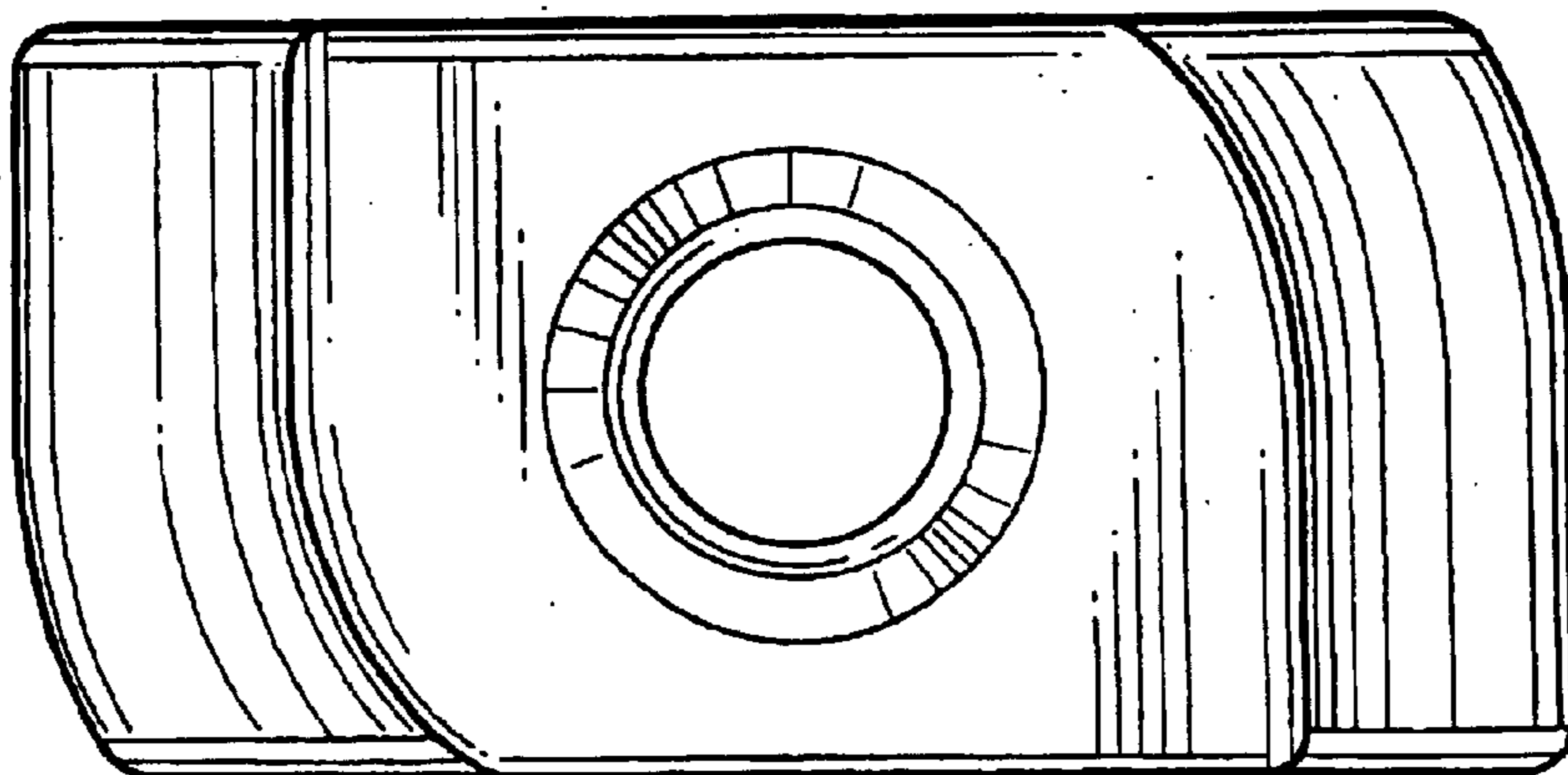


FIG. 25