



US00D512300S

(12) **United States Design Patent**
Perkins

(10) **Patent No.: US D512,300 S**
(45) **Date of Patent: ** Dec. 6, 2005**

- (54) **LOCK FOR FUEL TANKS**
- (75) Inventor: **Frederick M. Perkins**, Ft. Lauderdale, FL (US)
- (73) Assignee: **Perko, Inc.**, Miami, FL (US)
- (**) Term: **14 Years**
- (21) Appl. No.: **29/210,737**
- (22) Filed: **Aug. 6, 2004**
- (51) **LOC (8) Cl. 08-07**
- (52) **U.S. Cl. D8/331**
- (58) **Field of Search D8/330, 331, 343, D8/336, 339; 70/174-180, 242-244, 432, 202, 237; 137/383, 384, 384.2**

D268,090 S	3/1983	Shanklin	
4,481,797 A	11/1984	Milo	
4,490,996 A	1/1985	Milo	
4,527,407 A	7/1985	Shanklin	
4,633,686 A *	1/1987	Carr	70/179
4,928,506 A *	5/1990	Radziewicz	70/176
4,986,097 A	1/1991	Derman	
5,005,723 A	4/1991	Smallfoot	
5,212,971 A	5/1993	Yoon et al.	
5,392,816 A	2/1995	Hagenberg et al.	
5,400,626 A *	3/1995	Villani	70/178
D365,011 S *	12/1995	Myers	D8/331
5,515,703 A *	5/1996	Chance	70/176
D467,787 S *	12/2002	Linares	D8/331
6,698,799 B2 *	3/2004	Anderson et al.	285/139.1

* cited by examiner

Primary Examiner—Prabhakar Deshmukh
(74) *Attorney, Agent, or Firm*—Lawrence E. Laubscher, Sr.; Lawrence E. Lauscher, Jr.

(56) **References Cited**
U.S. PATENT DOCUMENTS

1,212,787 A	1/1917	Augenbrann	
1,447,260 A	3/1923	Malluk et al.	
1,485,738 A	3/1924	Taft	
1,722,527 A	7/1929	Kuhns et al.	
1,964,214 A	6/1934	Rockhill	
2,101,758 A	12/1937	Shaffer	
2,303,594 A	12/1942	Wise	
3,950,971 A	4/1976	Karls	
3,998,353 A	12/1976	Farelli	
4,317,345 A	3/1982	Hinson	
4,343,161 A *	8/1982	Gale	70/14
4,362,036 A	12/1982	Shanklin	

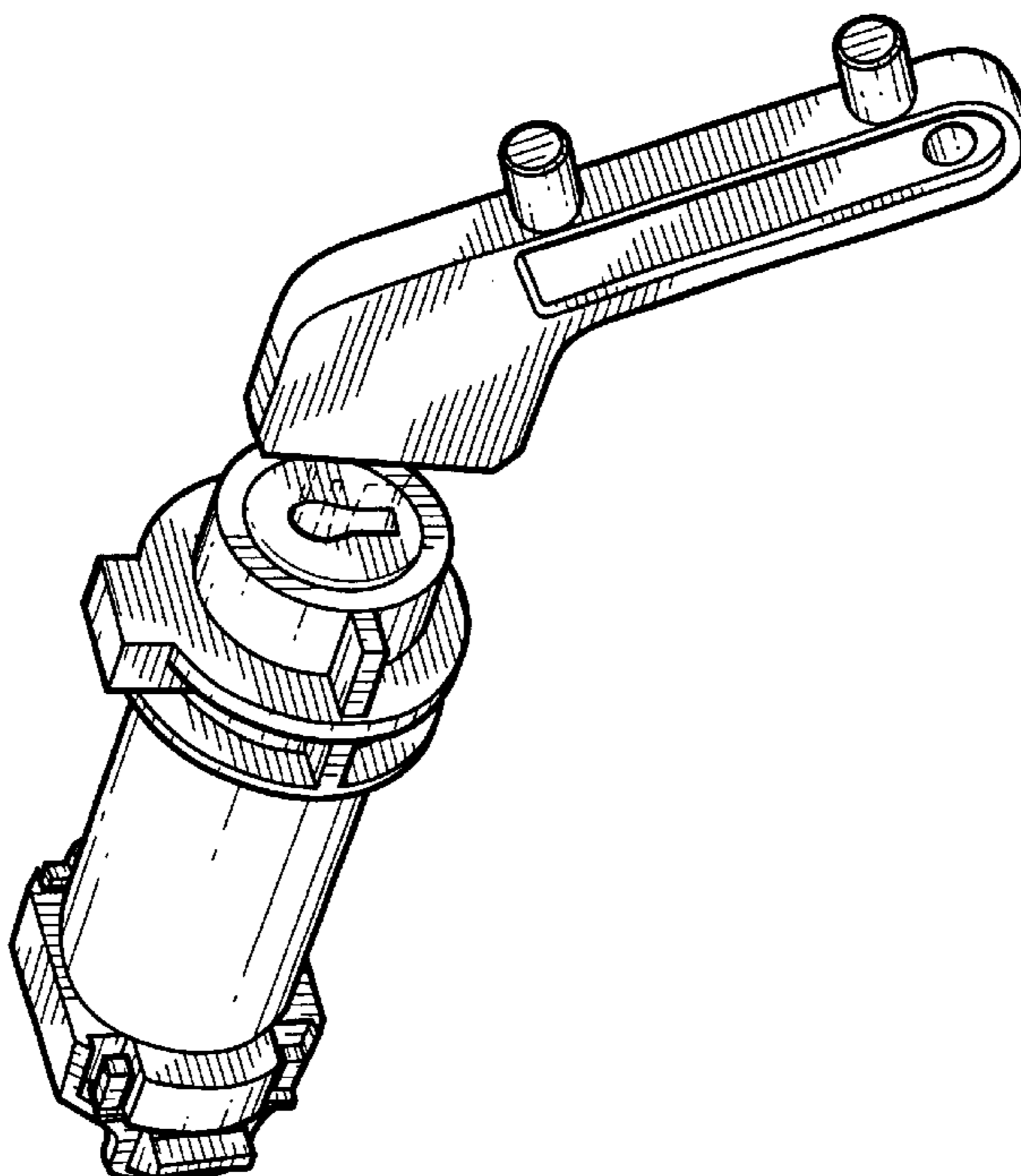
(57) **CLAIM**

The ornamental design for a lock for fuel tanks, as shown.

DESCRIPTION

FIG. 1 is a top right-side perspective view of the lock for fuel tanks;
FIG. 2 is a front elevation view of the lock for fuel tanks;
FIG. 3 is a left side elevation view of the invention;
FIG. 4 is a rear elevation view of the invention; and,
FIG. 5 is a bottom plan view of the invention.

1 Claim, 2 Drawing Sheets



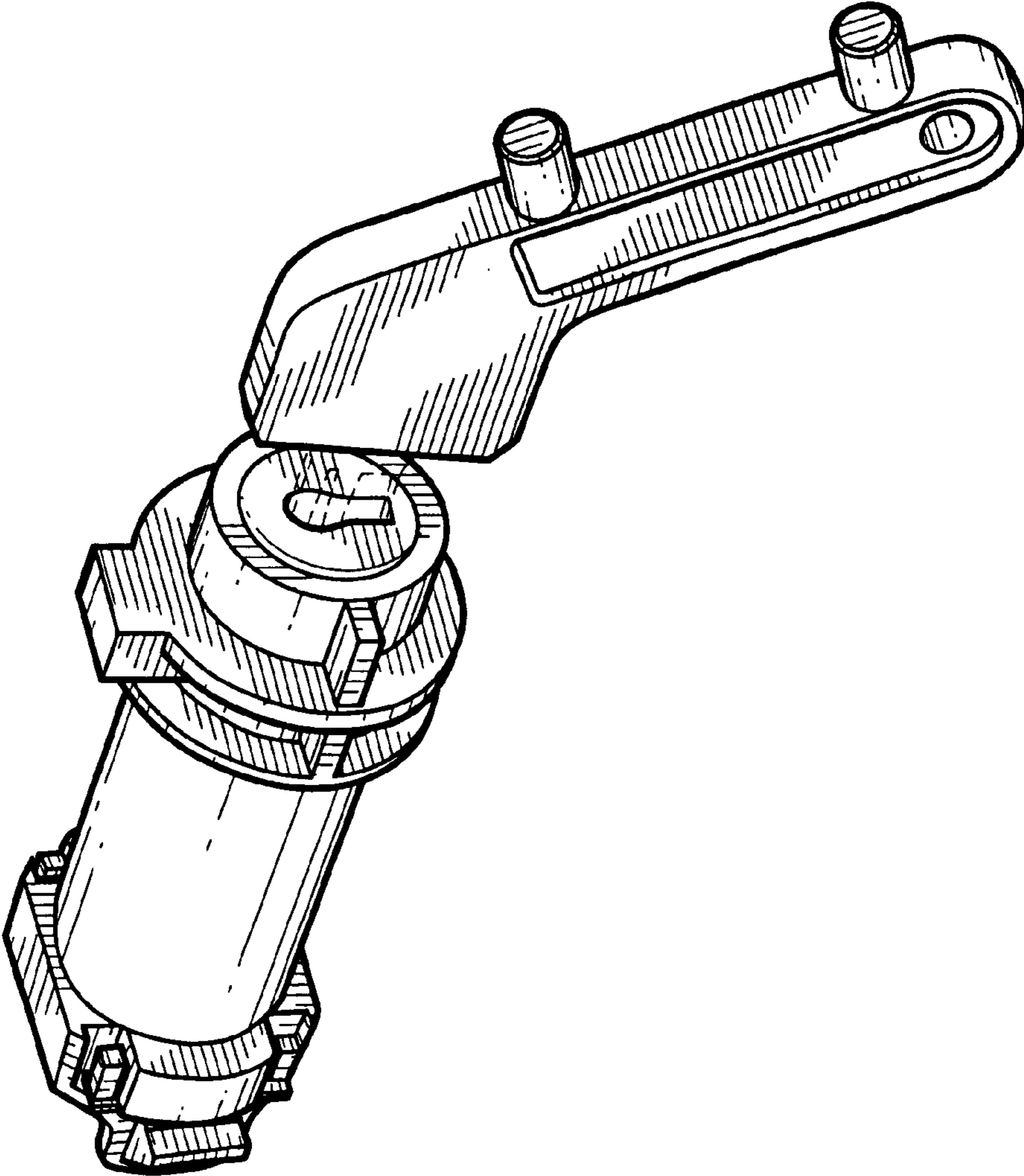


FIG. 1

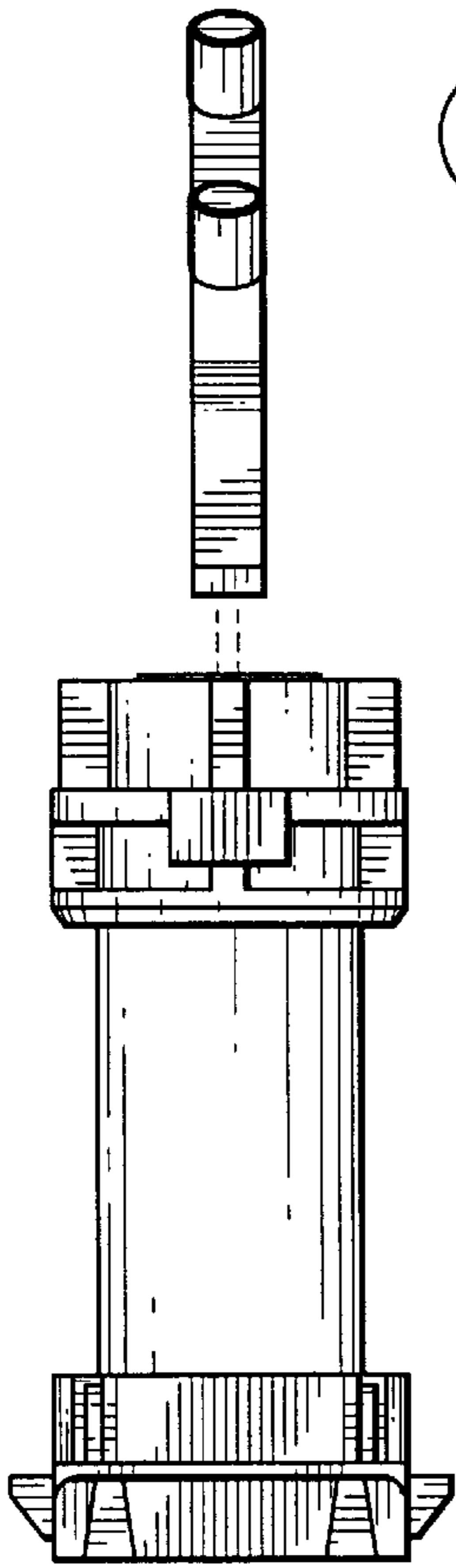


FIG. 2

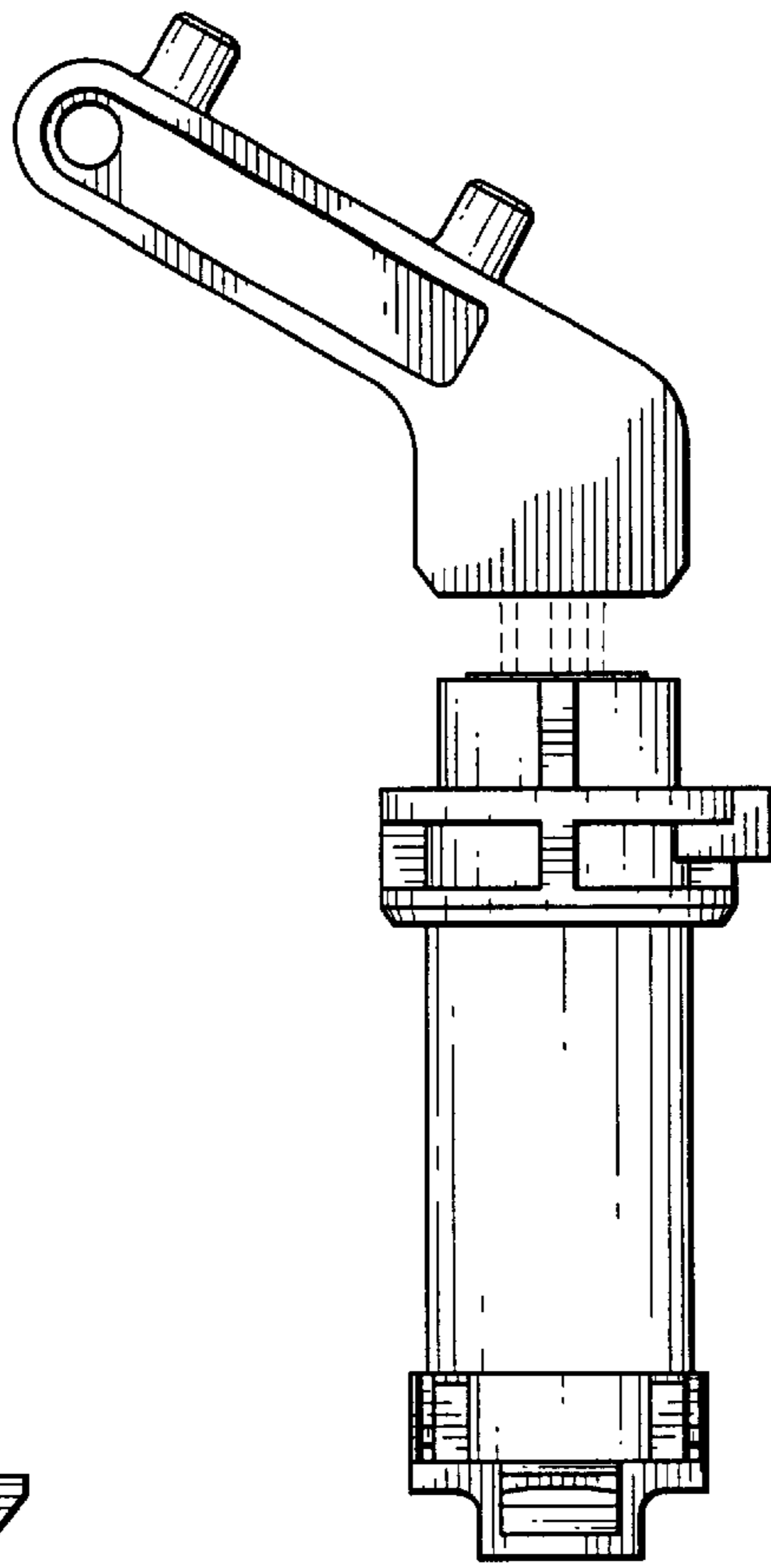


FIG. 3

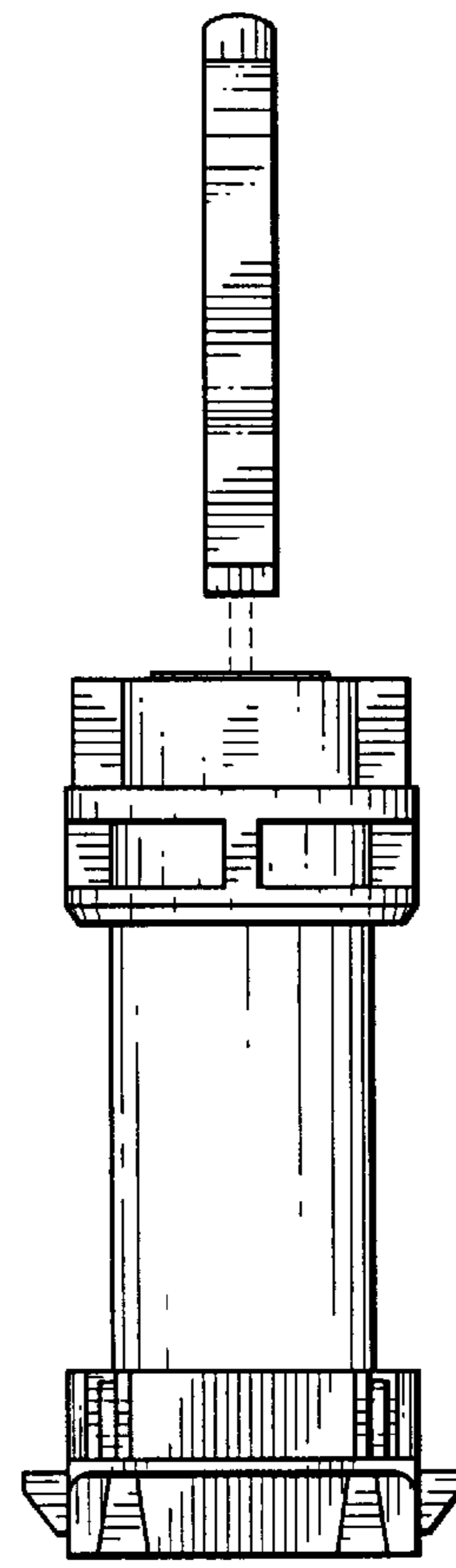


FIG. 4

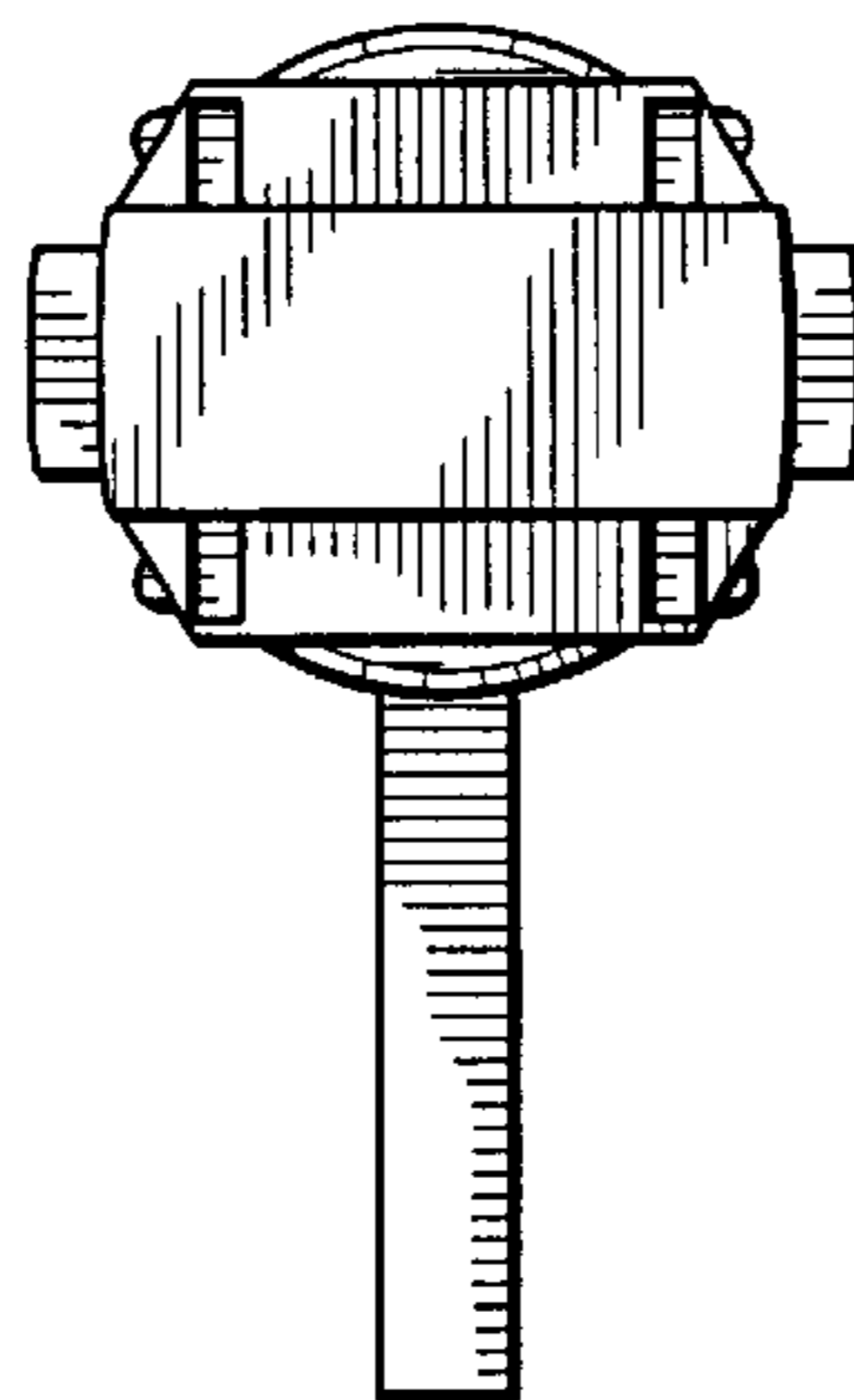


FIG. 5