



US00D512297S

(12) **United States Design Patent** (10) **Patent No.:** **US D512,297 S**  
**Metivier et al.** (45) **Date of Patent:** **\*\* Dec. 6, 2005**

(54) **ELECTRONIC LOCK SYSTEM**

(75) Inventors: **Pascal Georges Metivier**, Atlanta, GA (US); **Arnon Alexander**, Marietta, GA (US); **Jonathan P. Payne**, Lawrenceville, GA (US); **John D. Coleman**, Philadelphia, PA (US); **Peter D. Byar**, Willingboro, NJ (US)

(73) Assignee: **Onity, Inc.**, Norcross, GA (US)

(\*\*) Term: **14 Years**

(21) Appl. No.: **29/168,715**

(22) Filed: **Oct. 8, 2002**

(51) **LOC (8) Cl.** ..... **08-06**

(52) **U.S. Cl.** ..... **D8/302**

(58) **Field of Search** ..... D8/300–302, 307, D8/308, 310, 330, 350, 352; 292/336.3, 347, 356, 357; 70/207, 209, 450, 452, 277, 286, 278.1, 283, 422, 472

(56) **References Cited**

**U.S. PATENT DOCUMENTS**

D312,565 S	*	12/1990	Abraham et al.	.....	D8/301
D314,129 S	*	1/1991	Zanini	.....	D8/301
D365,976 S	*	1/1996	Chiu	.....	D8/330
D423,902 S	*	5/2000	Libby et al.	.....	D8/301
D470,033 S	*	2/2003	Fleury et al.	.....	D8/302

\* cited by examiner

*Primary Examiner*—Paula A. Greene

(74) *Attorney, Agent, or Firm*—Akin Gump Strauss Hauer & Feld, LLP

(57) **CLAIM**

The ornamental design for an electronic lock system, as shown and described.

**DESCRIPTION**

FIG. 1 is a front perspective view of an electronic lock system in accordance with a first embodiment of our new design;

FIG. 2 is a rear perspective view thereof;

FIG. 3 is a front elevational view thereof;

FIG. 4 is a rear elevational view thereof;

FIG. 5 is a right side elevational view thereof;

FIG. 6 is a left side elevational view thereof;

FIG. 7 is a top plan view thereof;

FIG. 8 is a bottom plan view thereof;

FIG. 9 is a front perspective view of an electronic lock system in accordance with a second embodiment of our new design;

FIG. 10 is a rear perspective view thereof;

FIG. 11 is a front elevational view thereof;

FIG. 12 is a rear elevational view thereof;

FIG. 13 is a right side elevational view thereof;

FIG. 14 is a left side elevational view thereof;

FIG. 15 is a top plan view thereof;

FIG. 16 is a bottom plan view thereof;

FIG. 17 is a front perspective view of an electronic lock system in accordance with a third embodiment of our new design;

FIG. 18 is a rear perspective view thereof;

FIG. 19 is a front elevational view thereof;

FIG. 20 is a rear elevational view thereof;

FIG. 21 is a right side elevational view thereof;

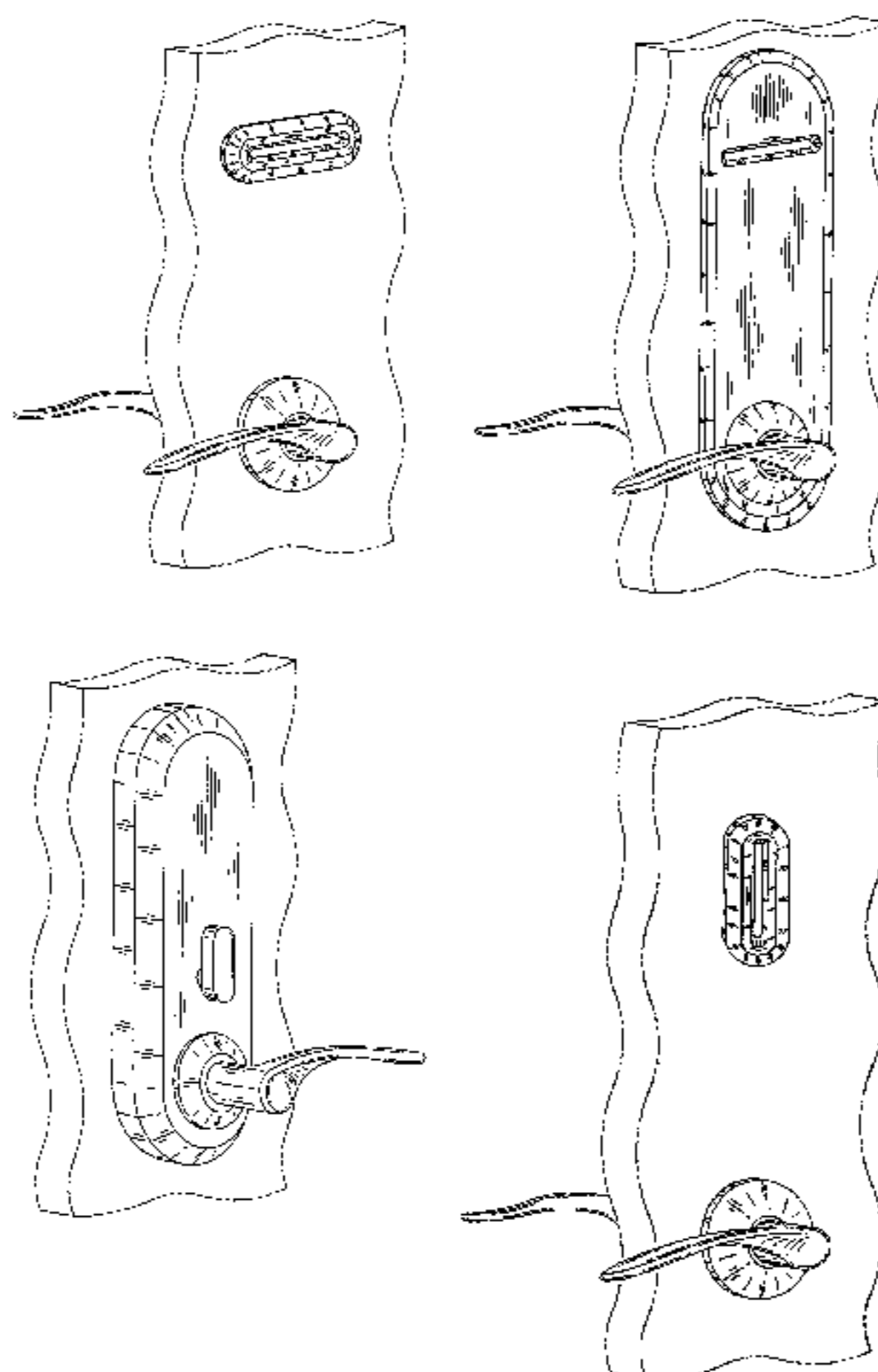
FIG. 22 is a left side elevational view thereof;

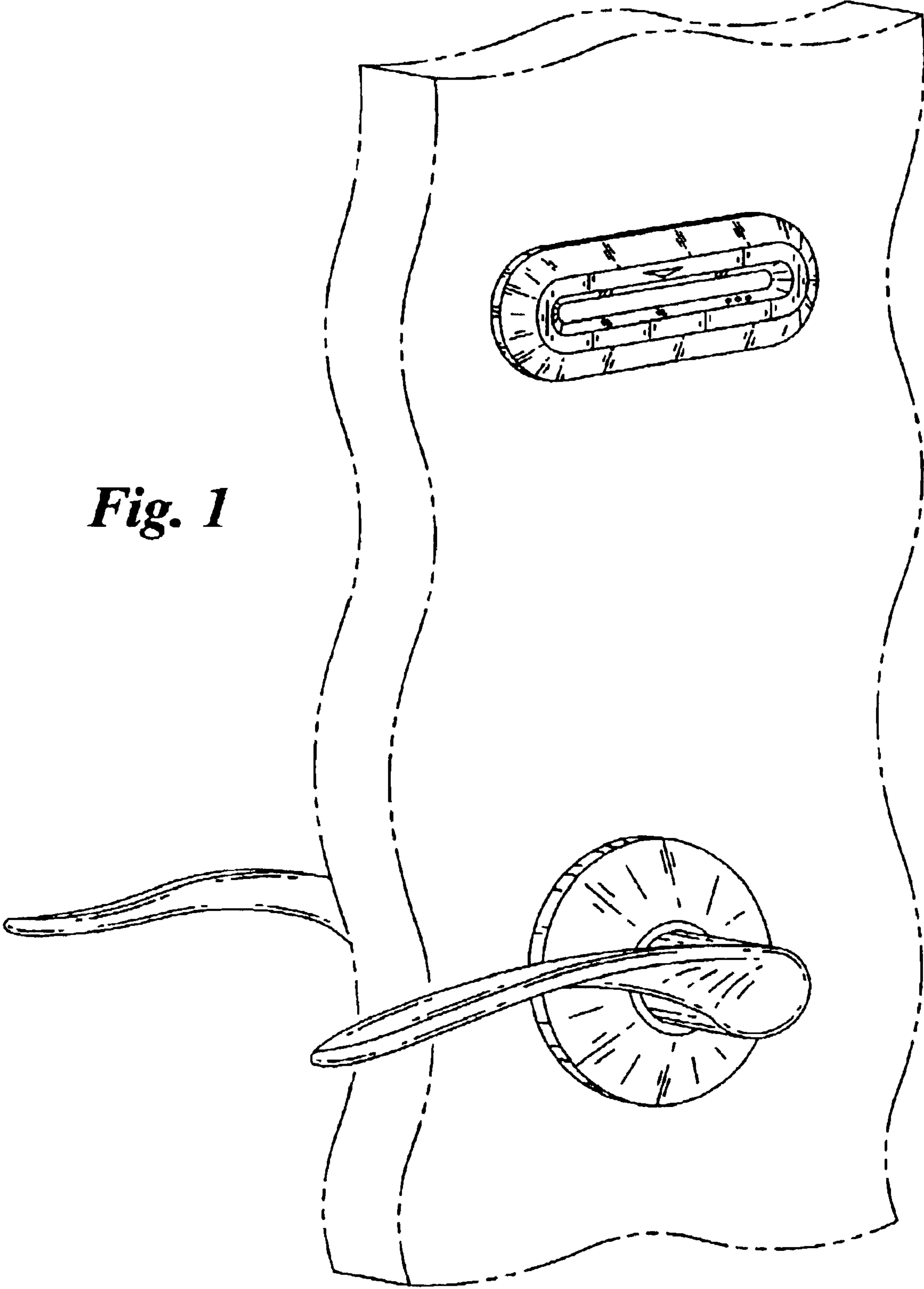
FIG. 23 is a top plan view thereof; and,

FIG. 24 is a bottom plan view thereof.

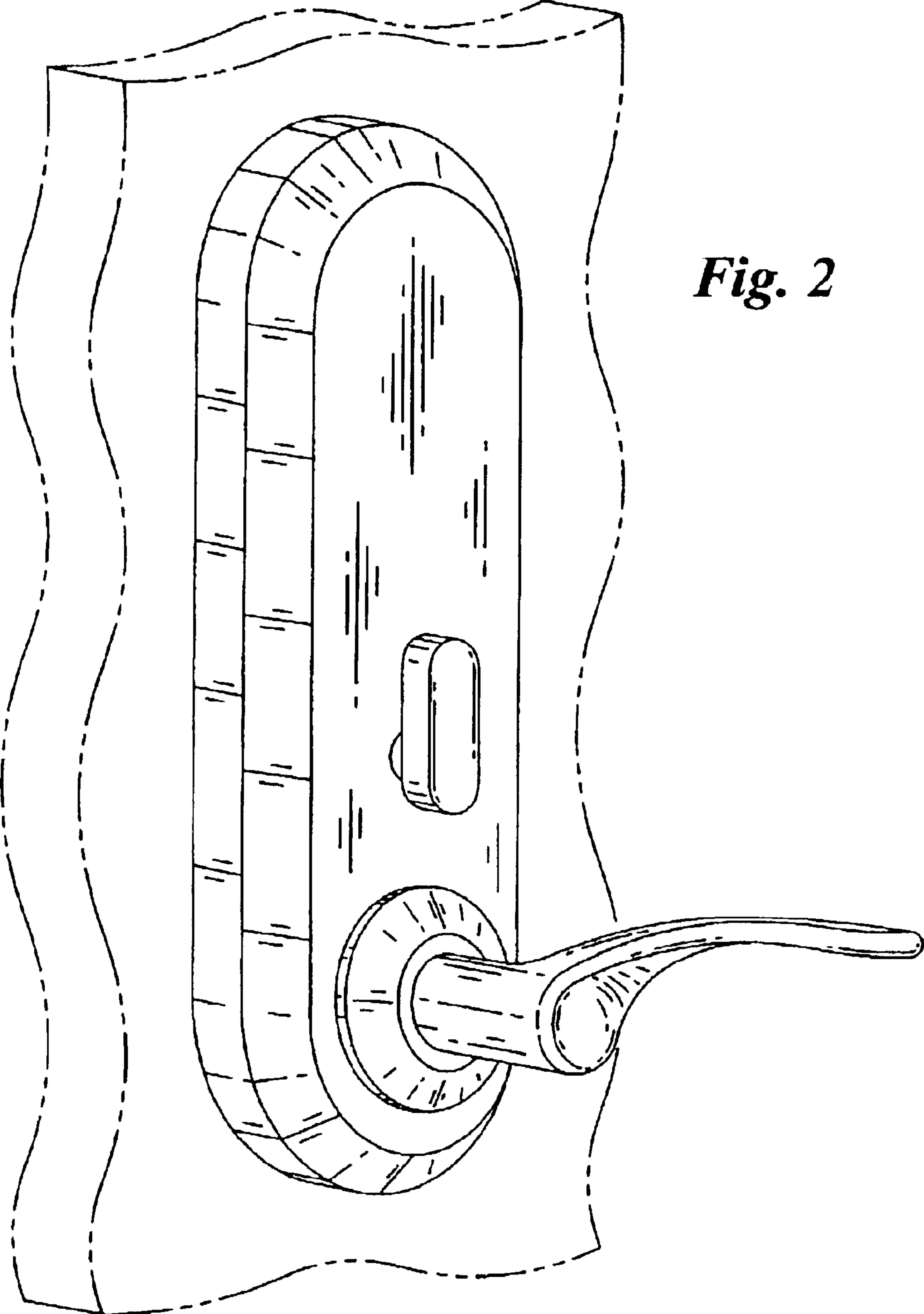
The broken lines in the figures are for illustrative purposes only and form no part of the claimed design.

**1 Claim, 21 Drawing Sheets**



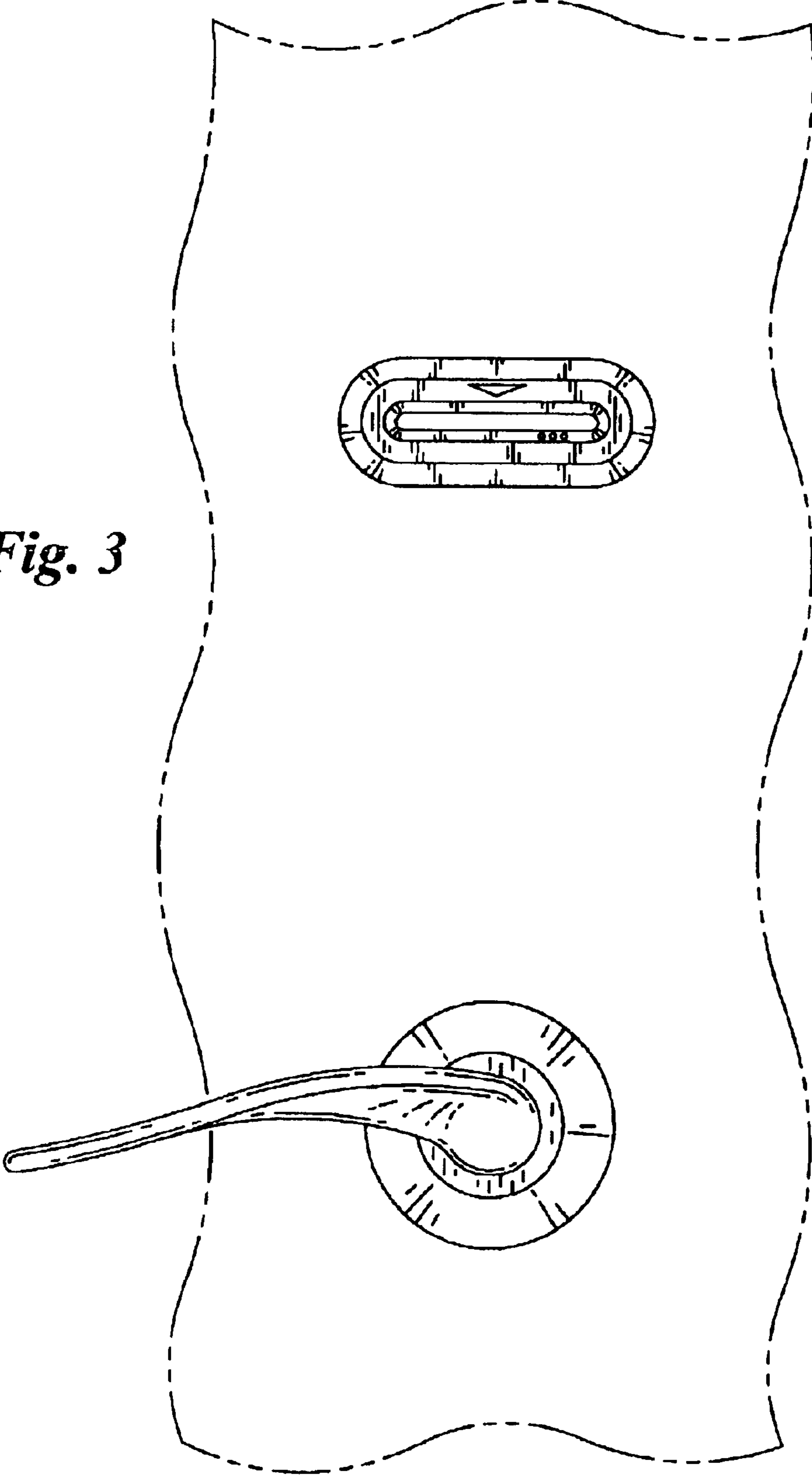


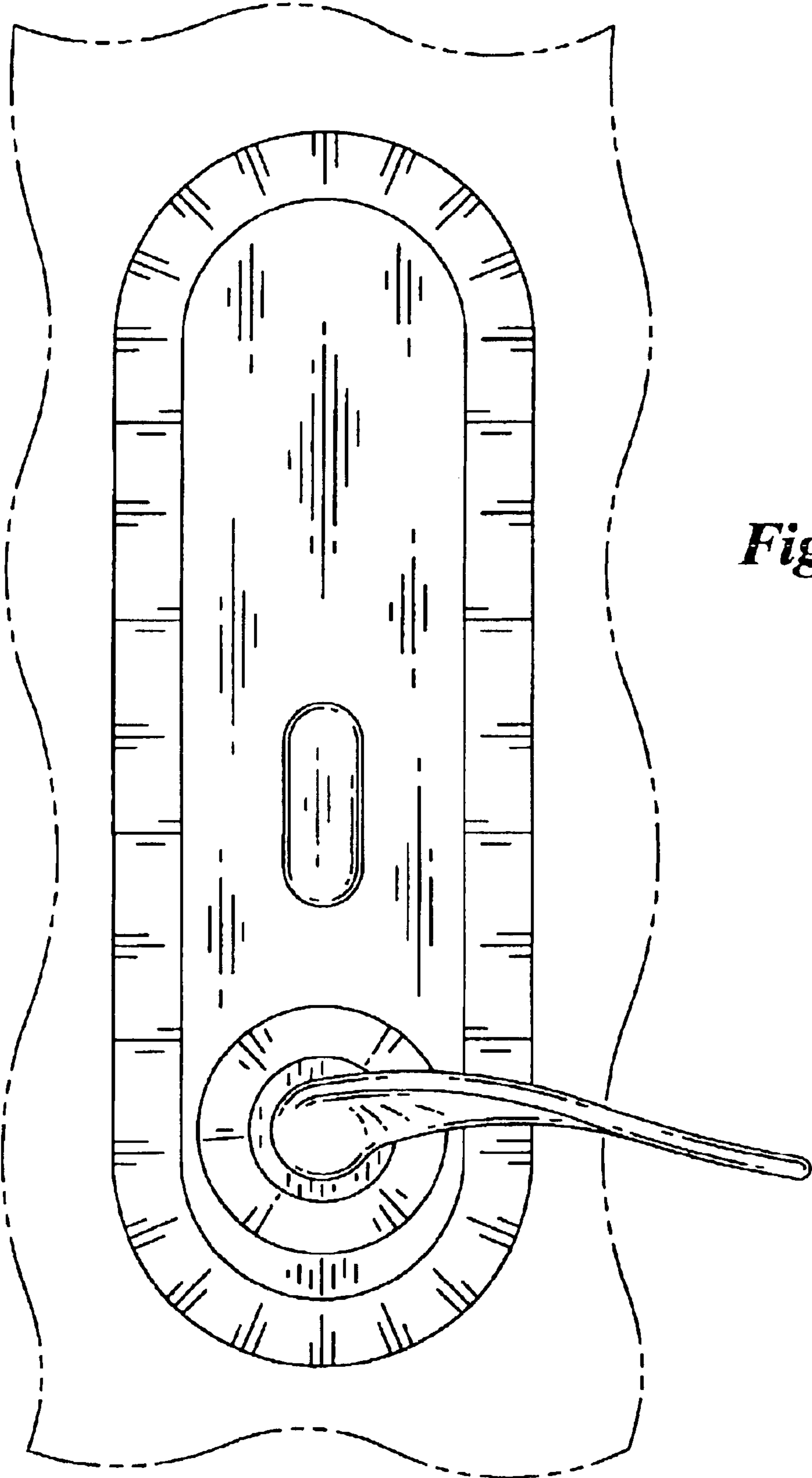
*Fig. 1*



*Fig. 2*

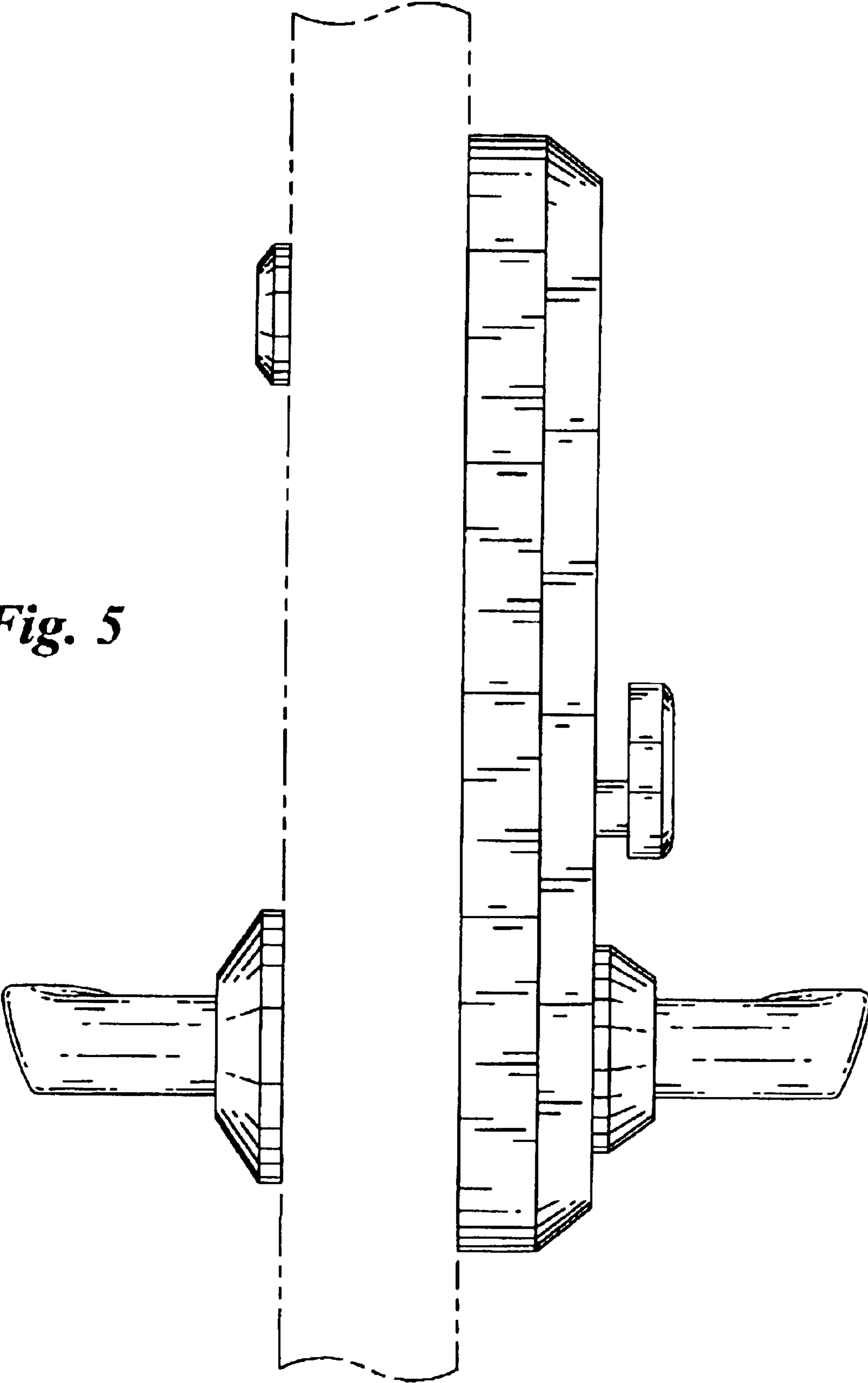
*Fig. 3*



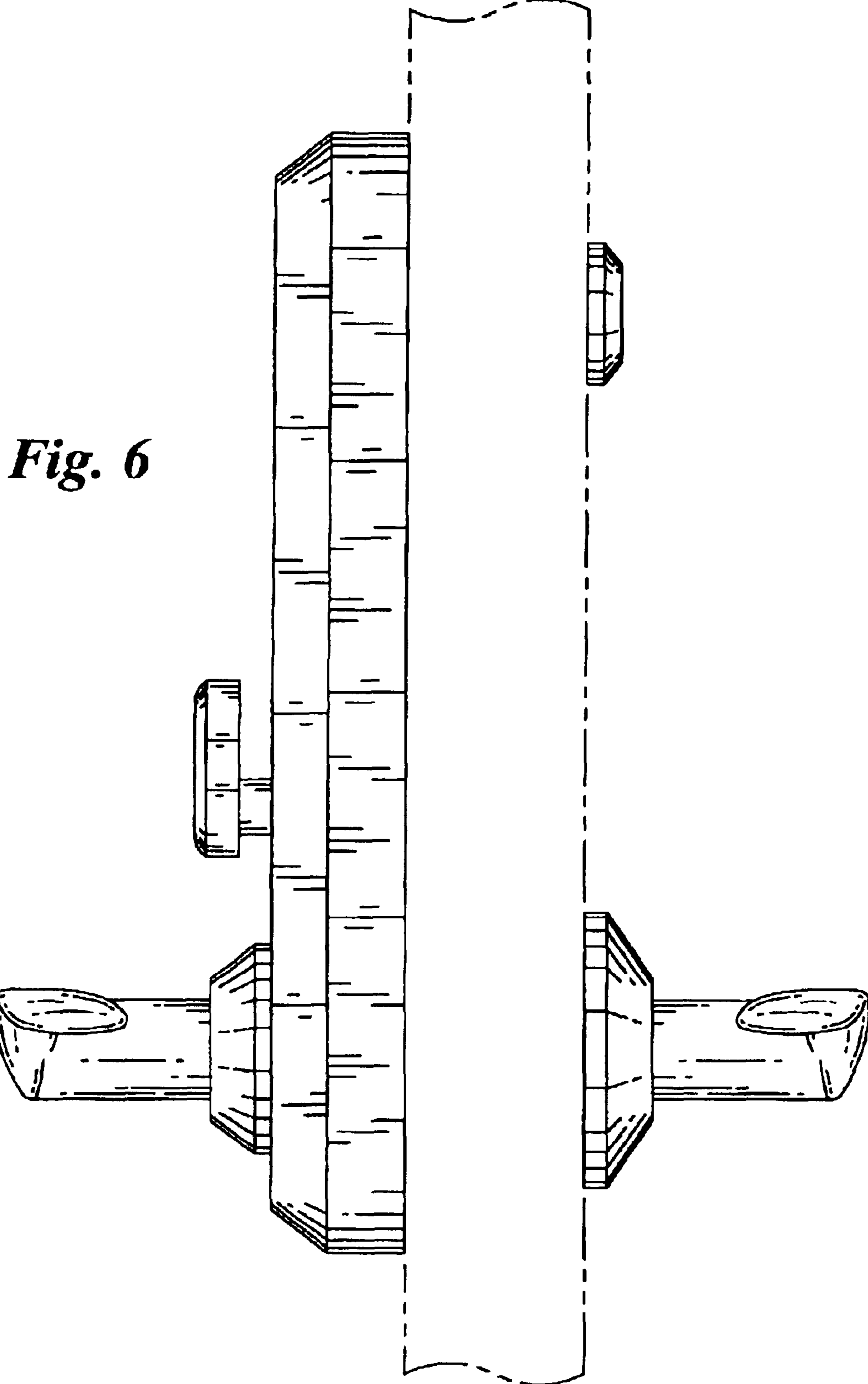


*Fig. 4*

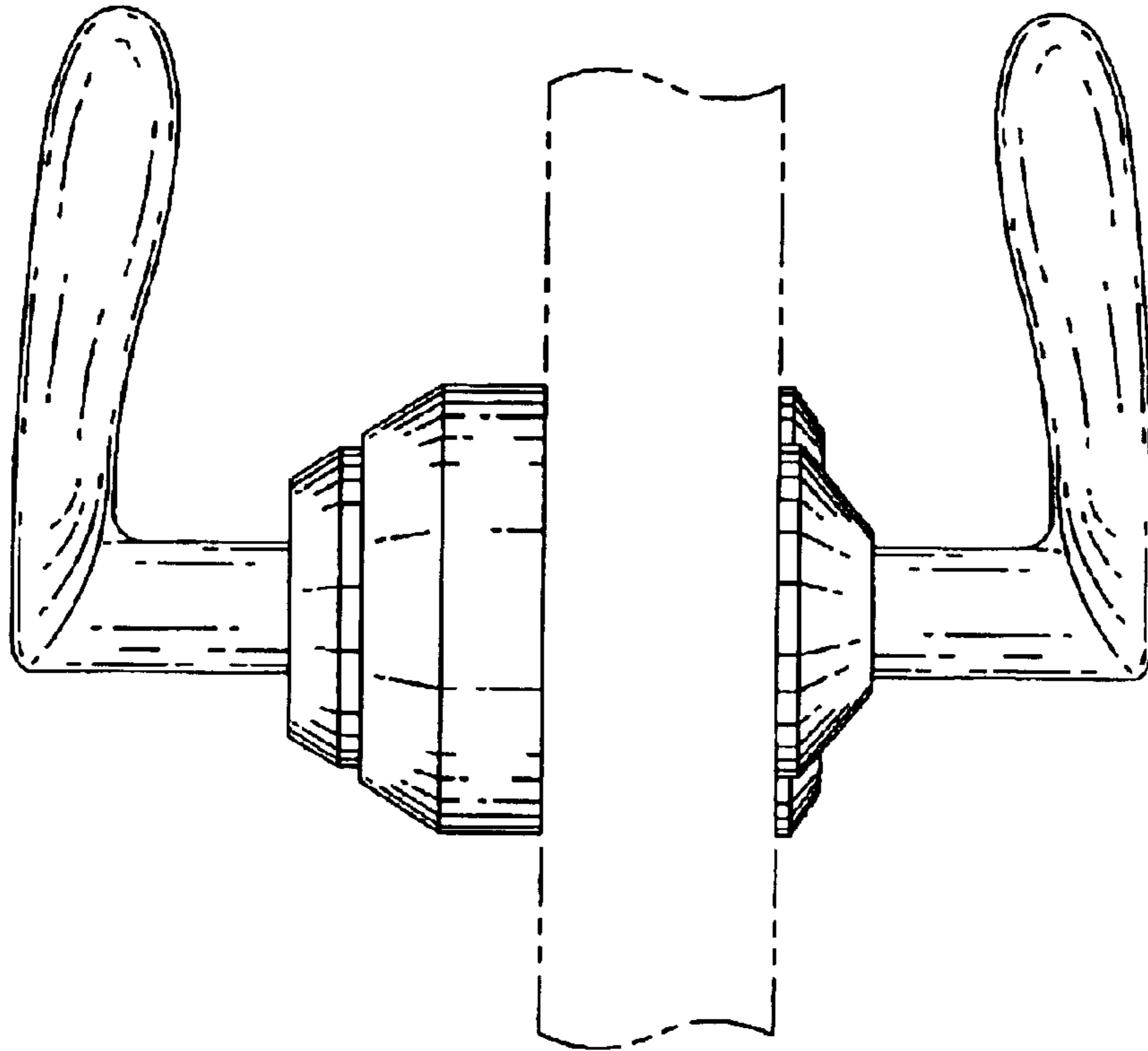
*Fig. 5*



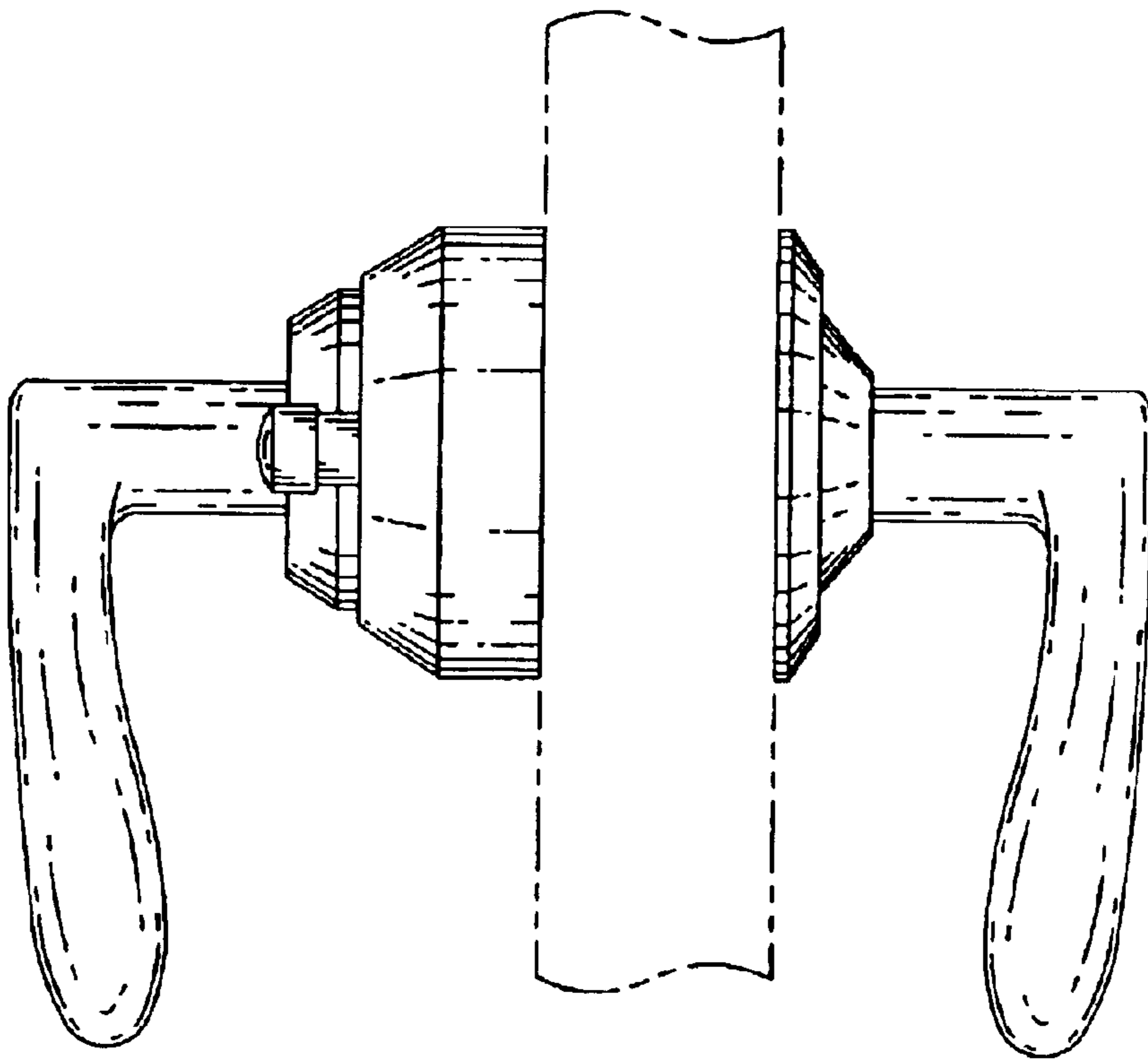




*Fig. 6*



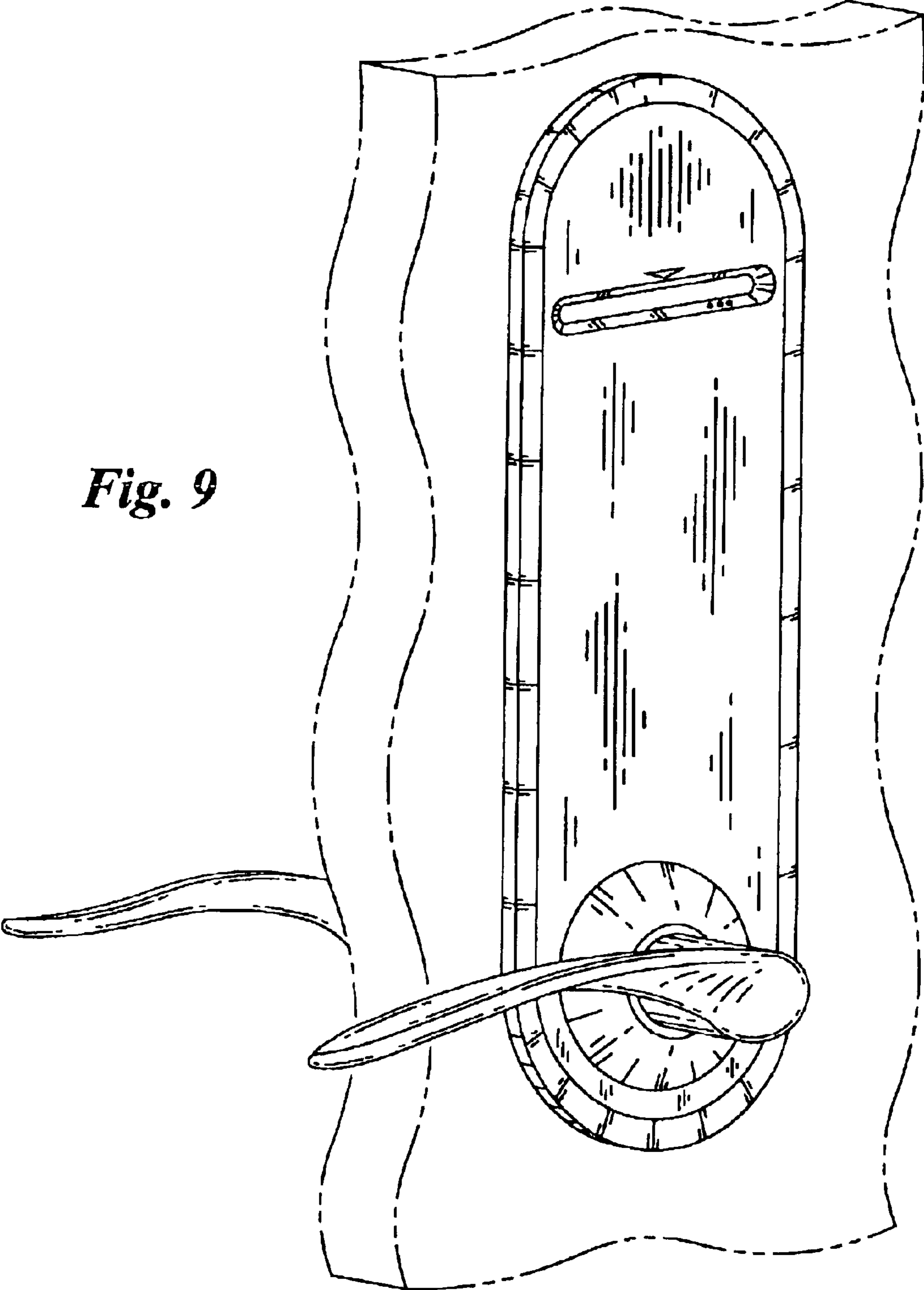
*Fig. 8*

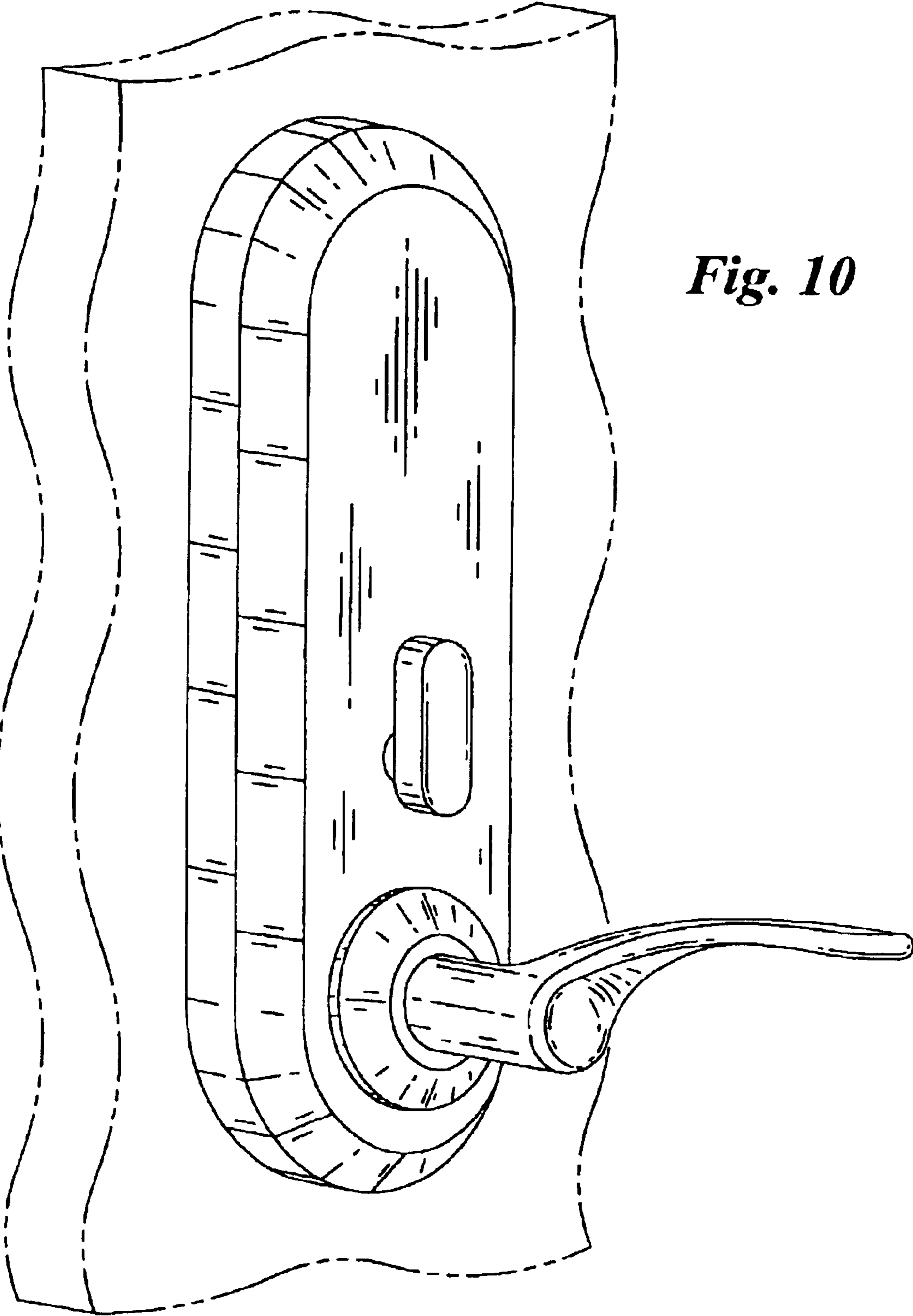


*Fig. 7*



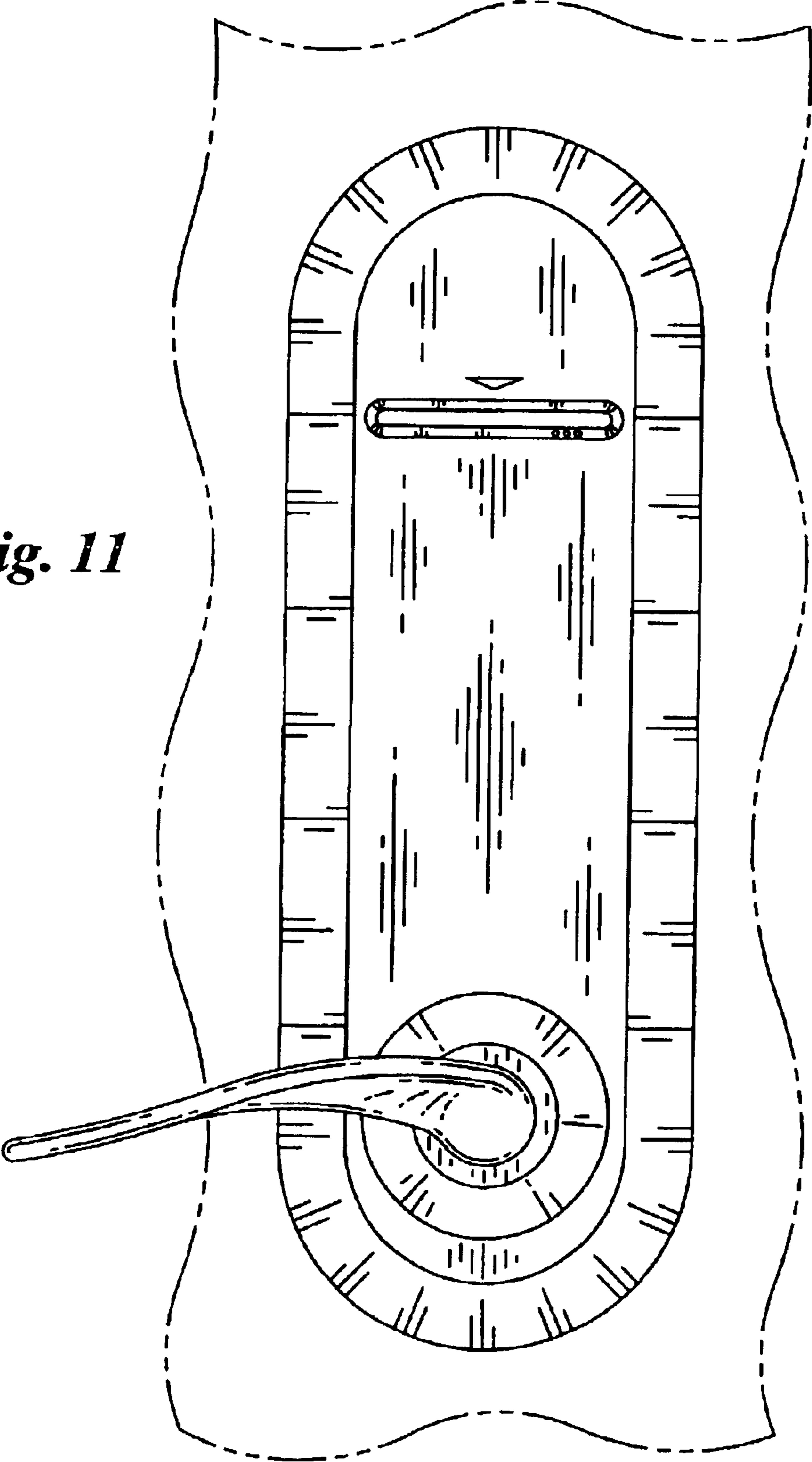
*Fig. 9*

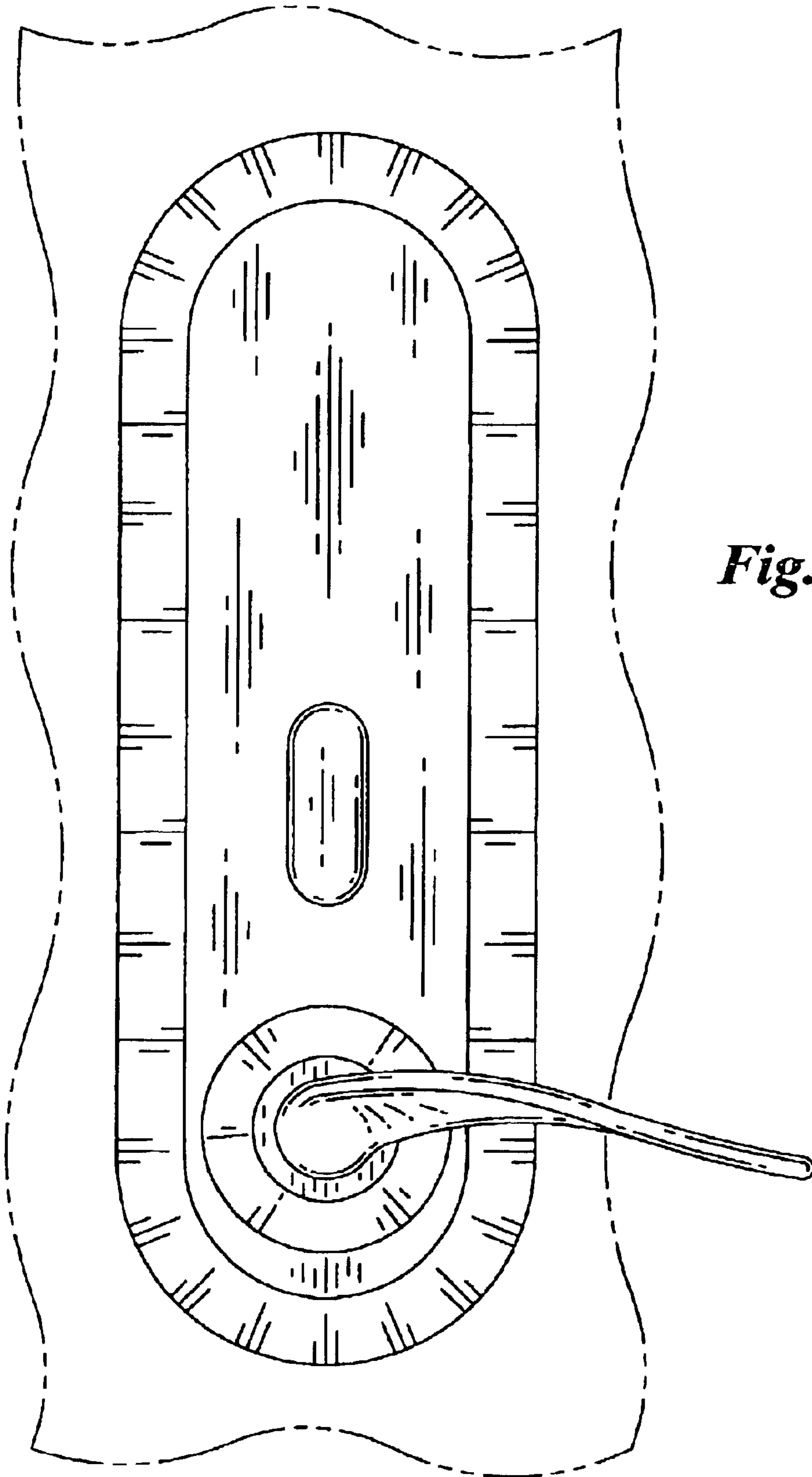




*Fig. 10*

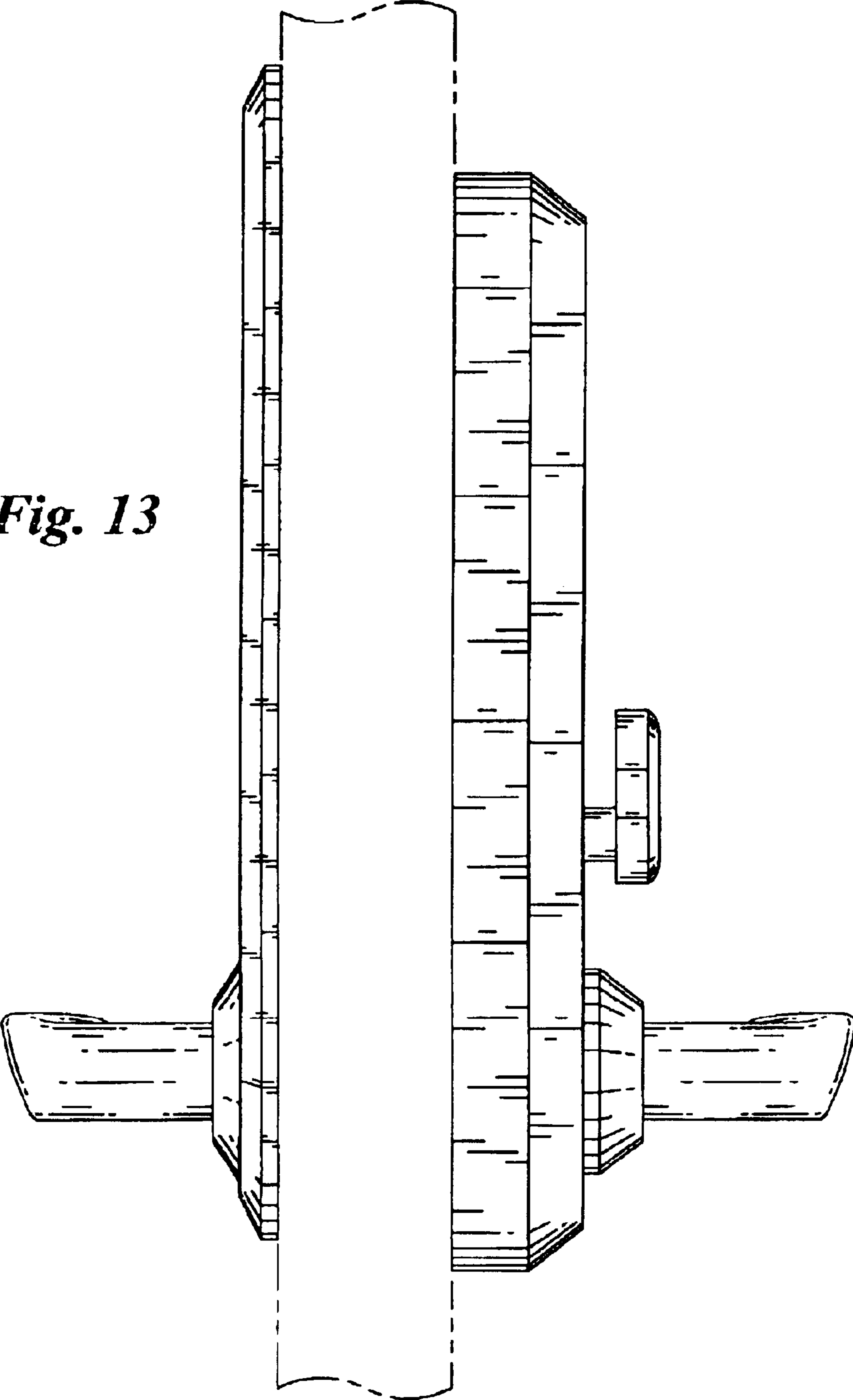
*Fig. 11*



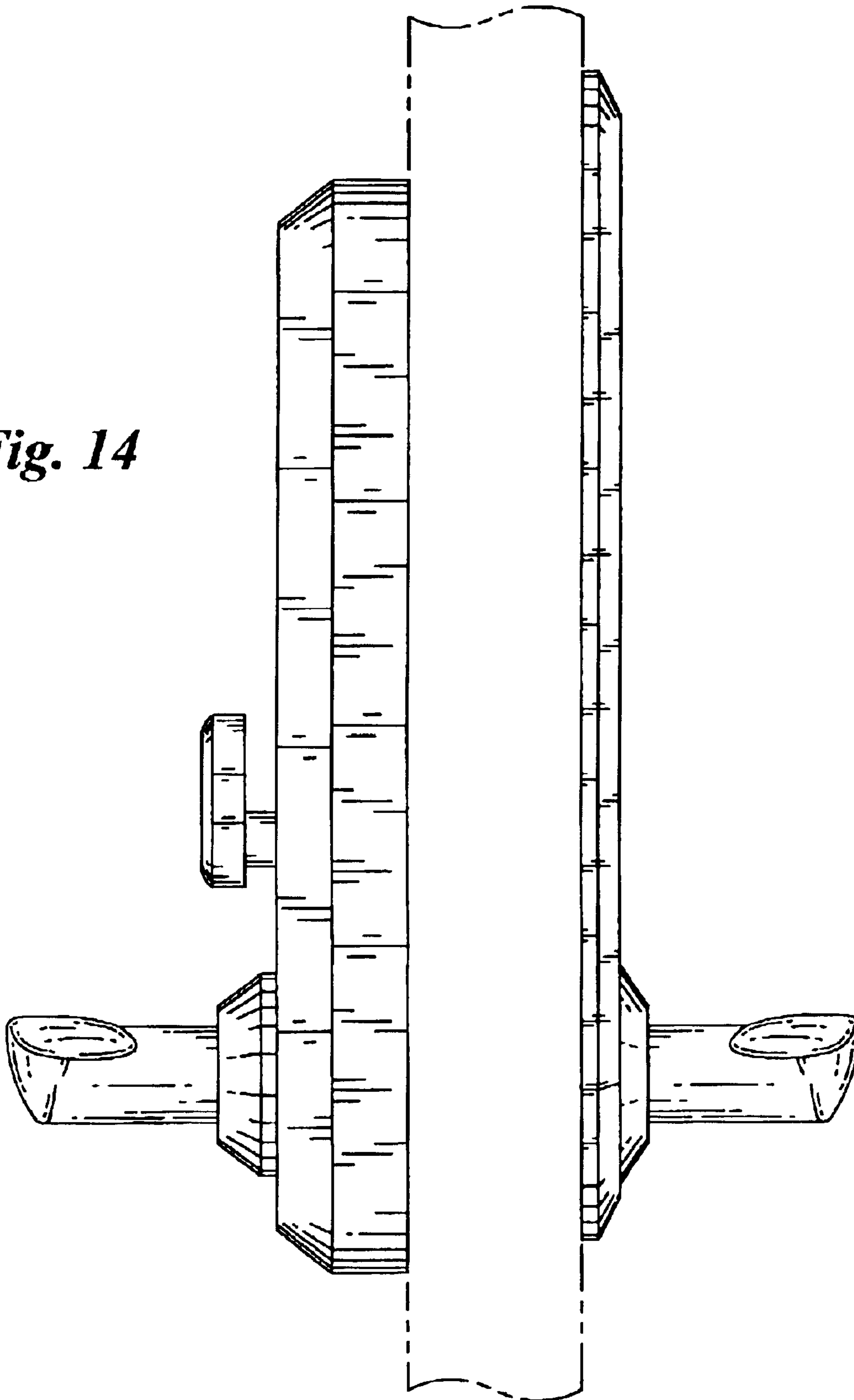


*Fig. 12*

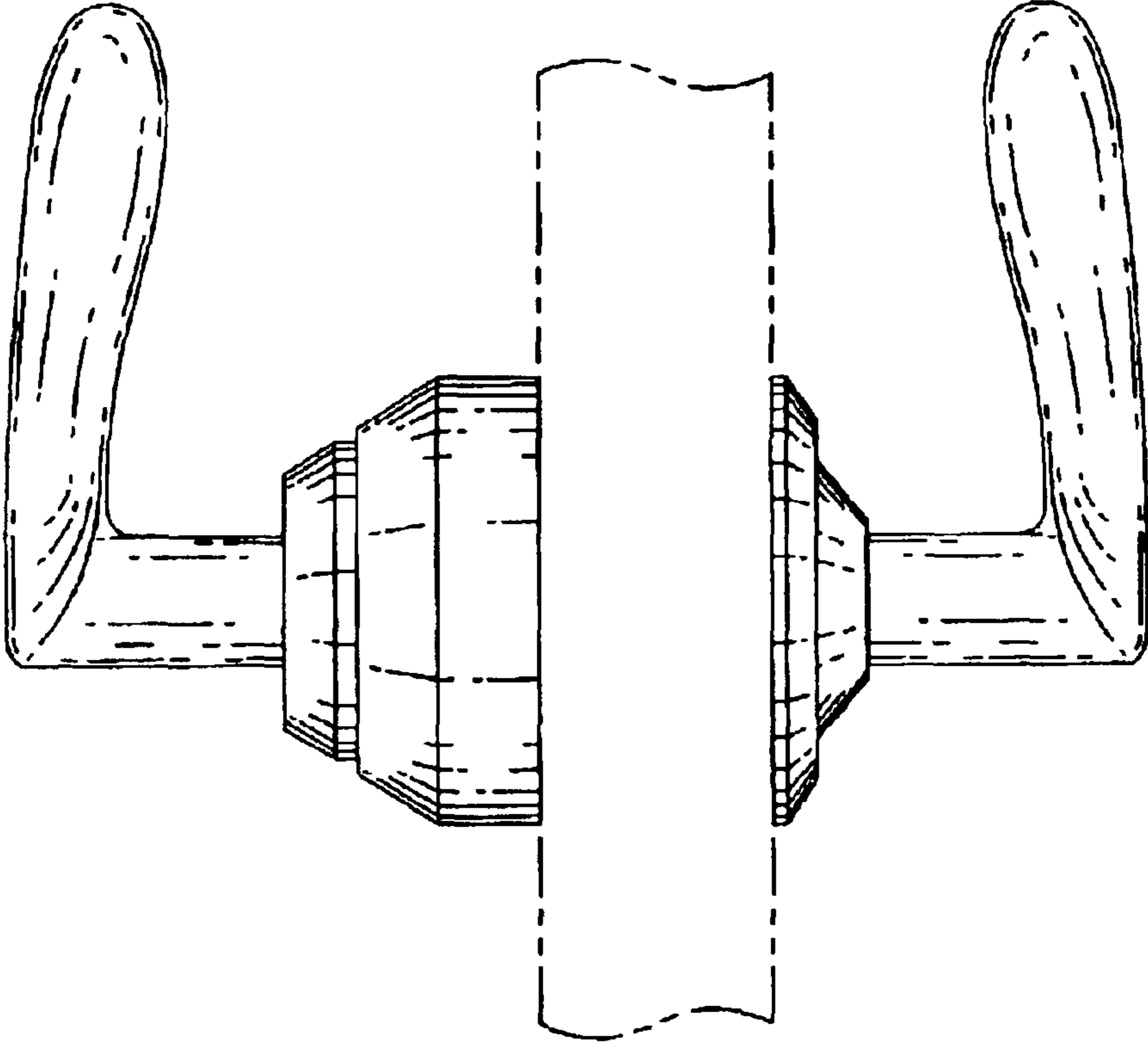
*Fig. 13*



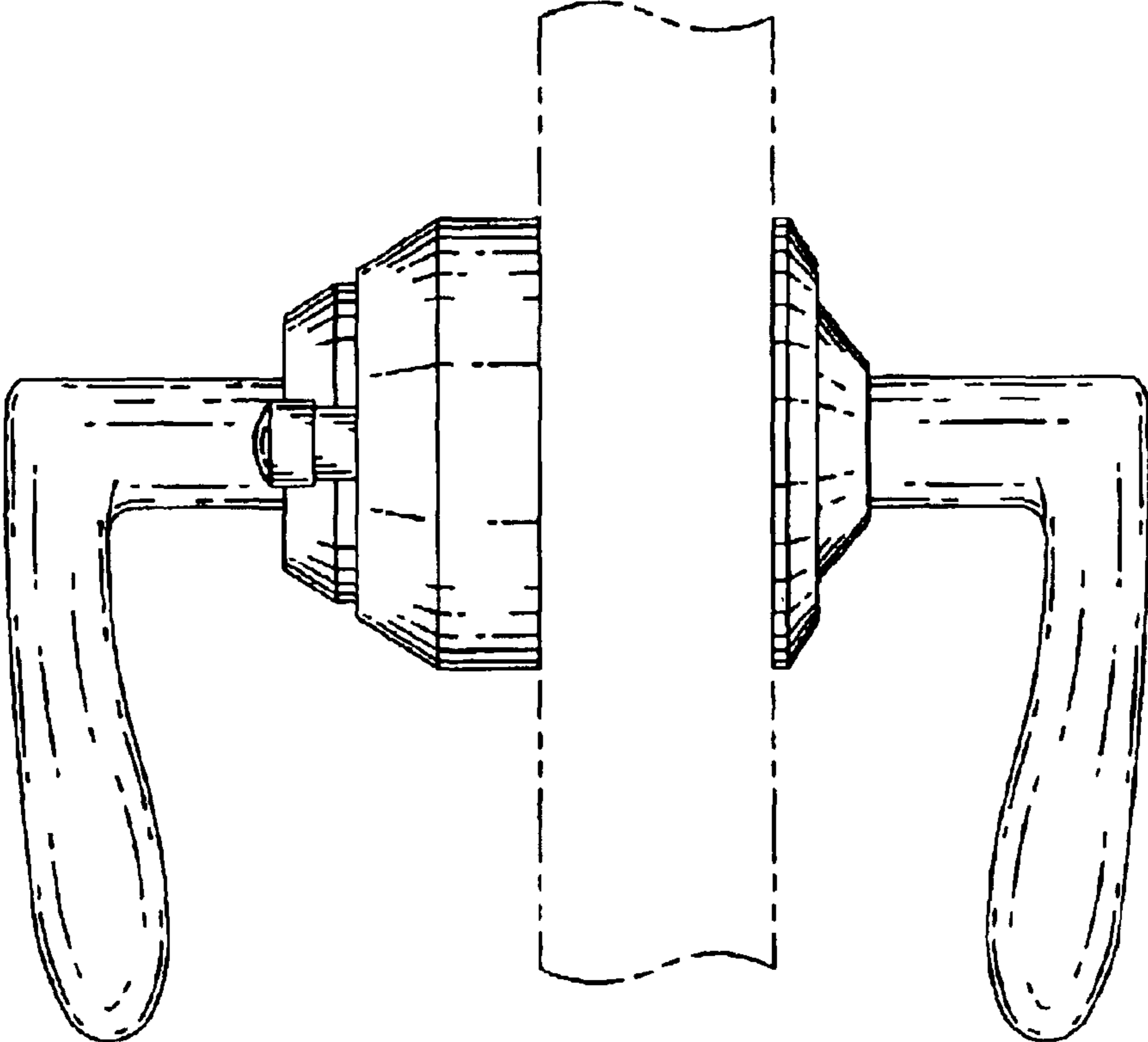
*Fig. 14*





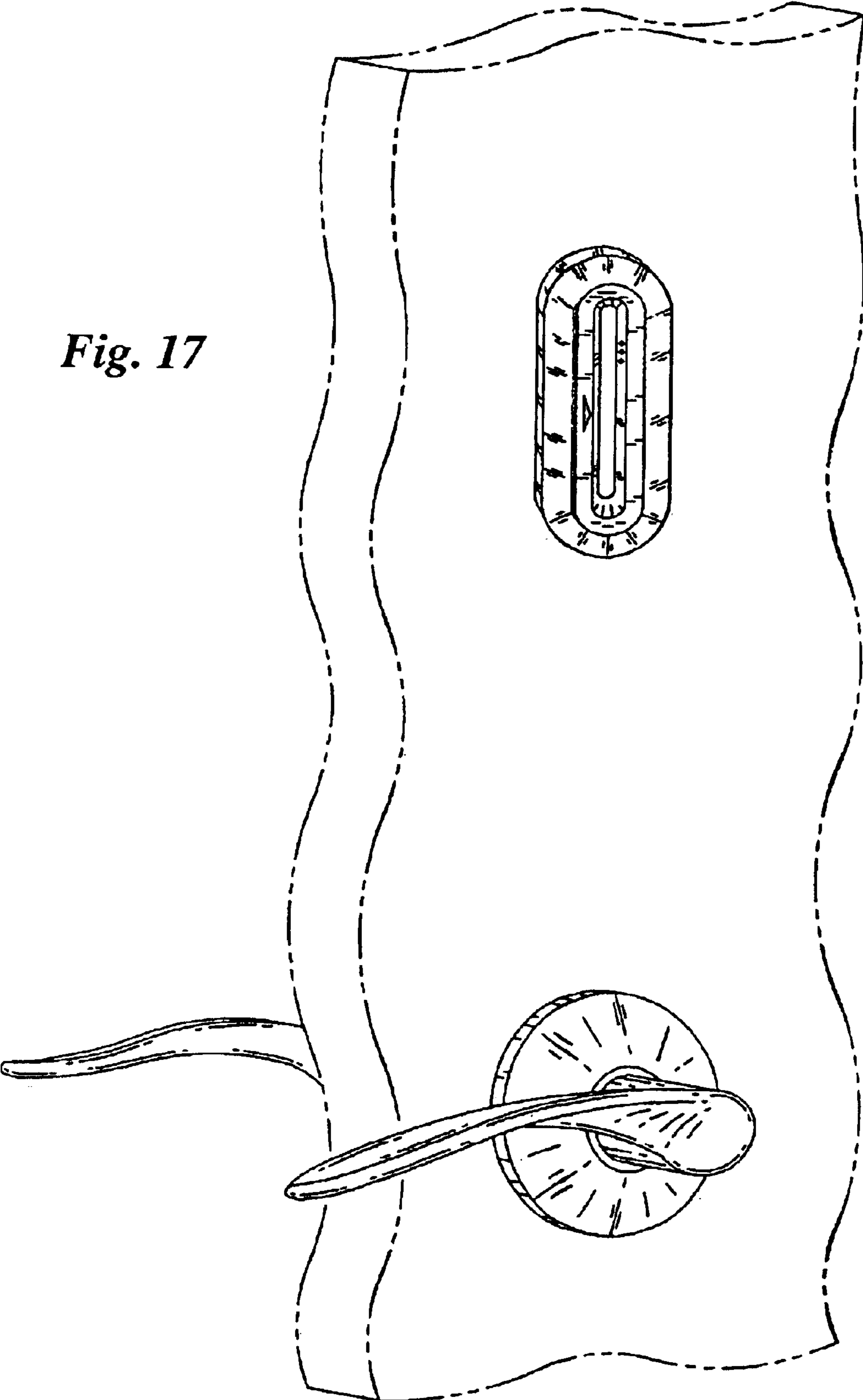


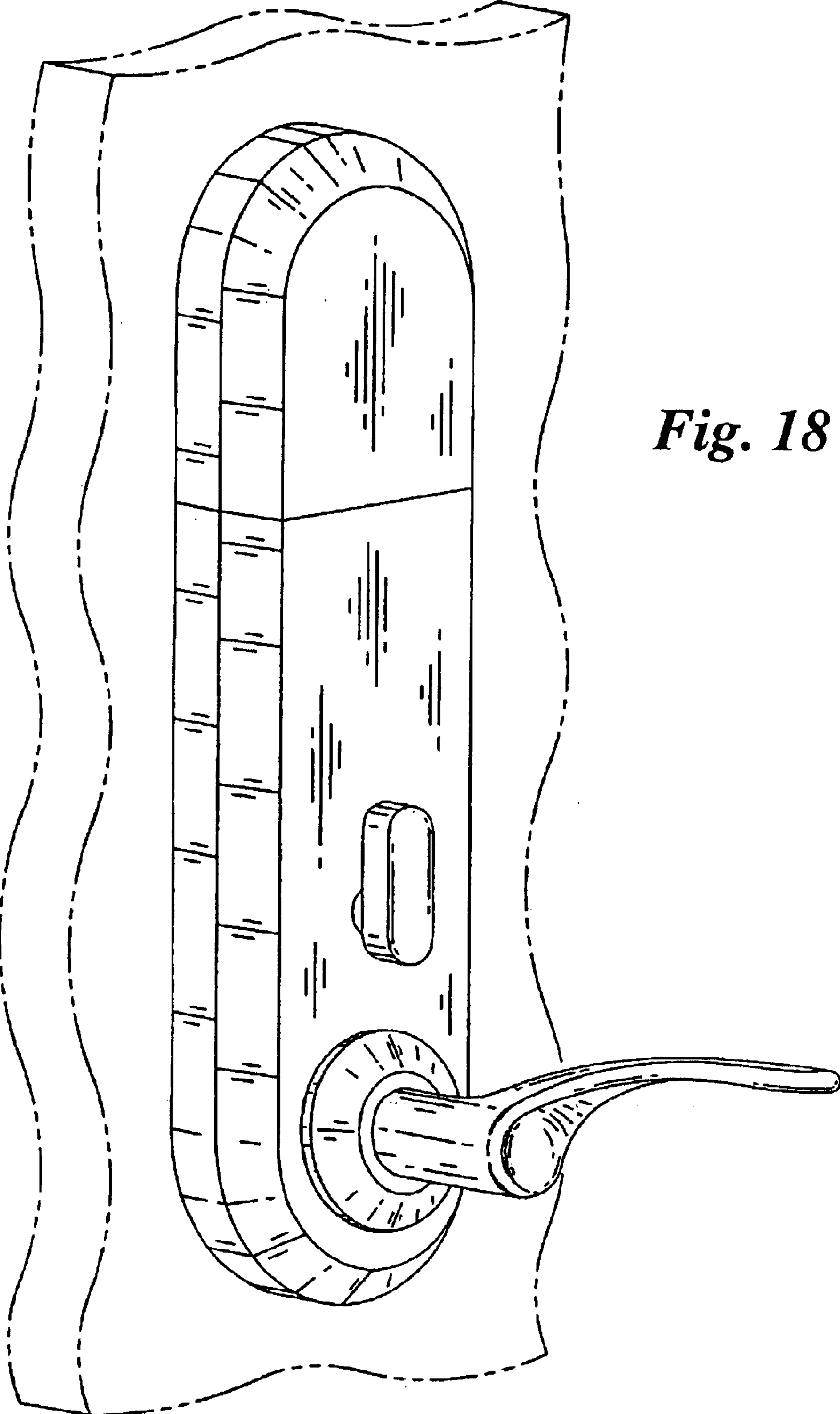
*Fig. 15*



*Fig. 16*

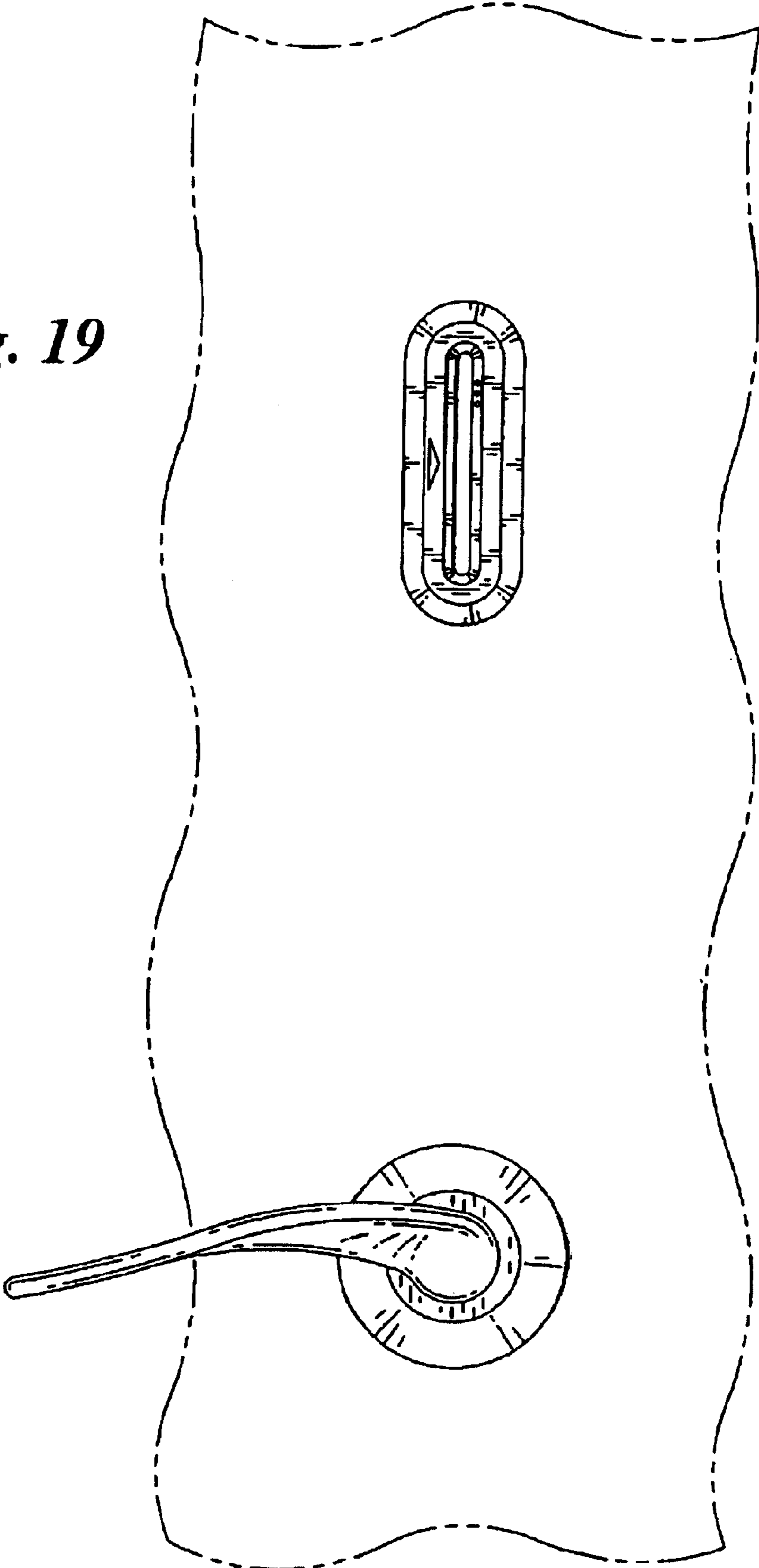
*Fig. 17*

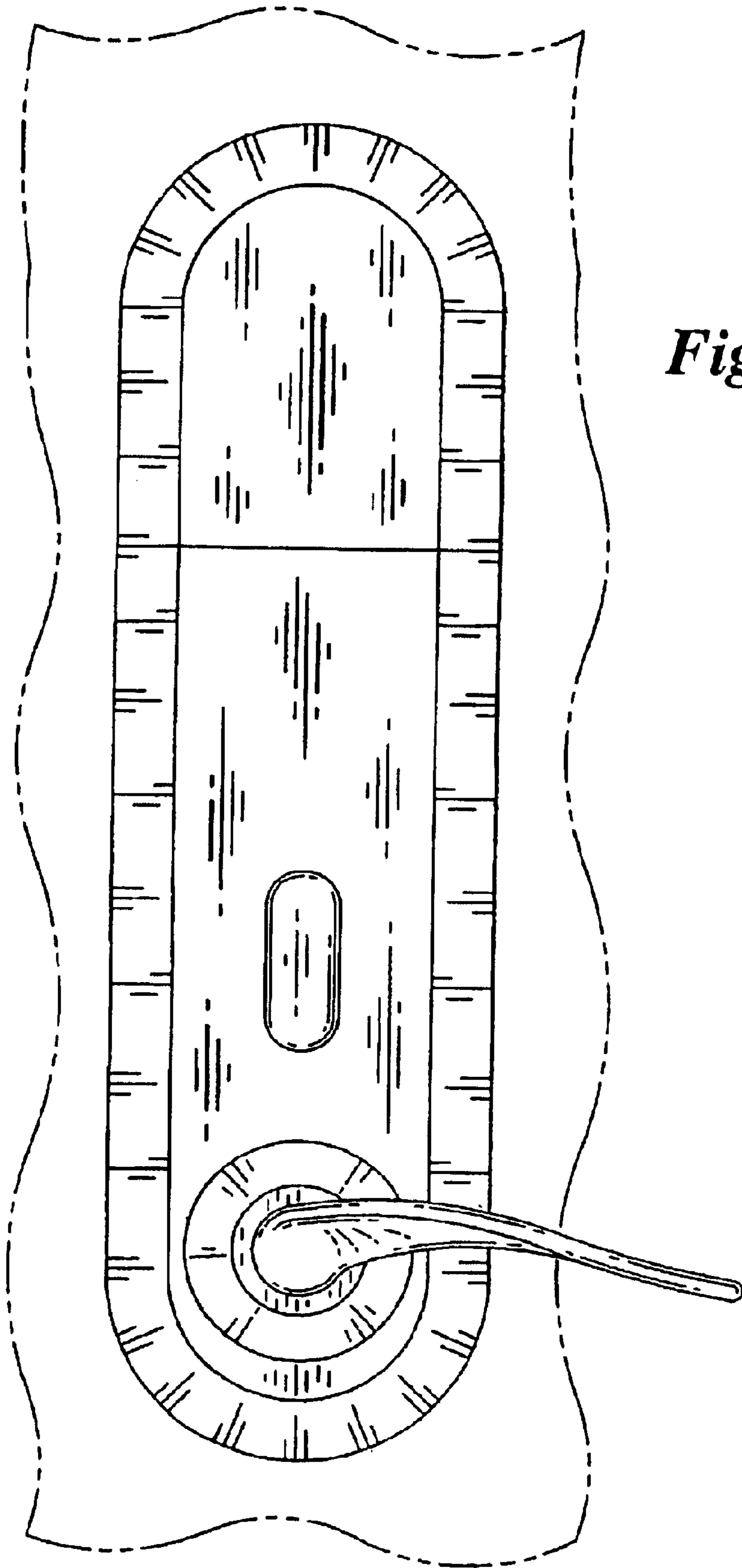




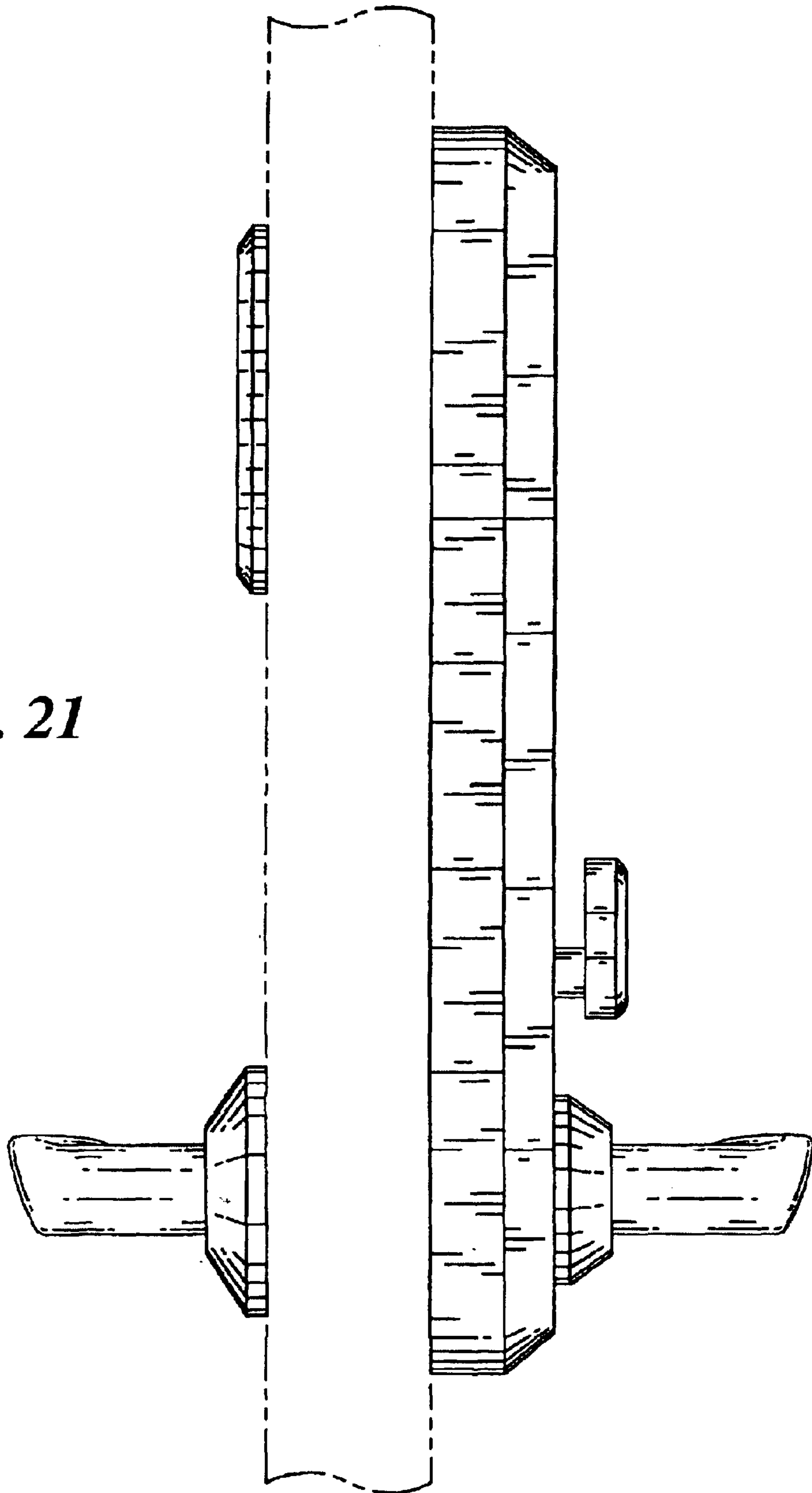
*Fig. 18*

*Fig. 19*





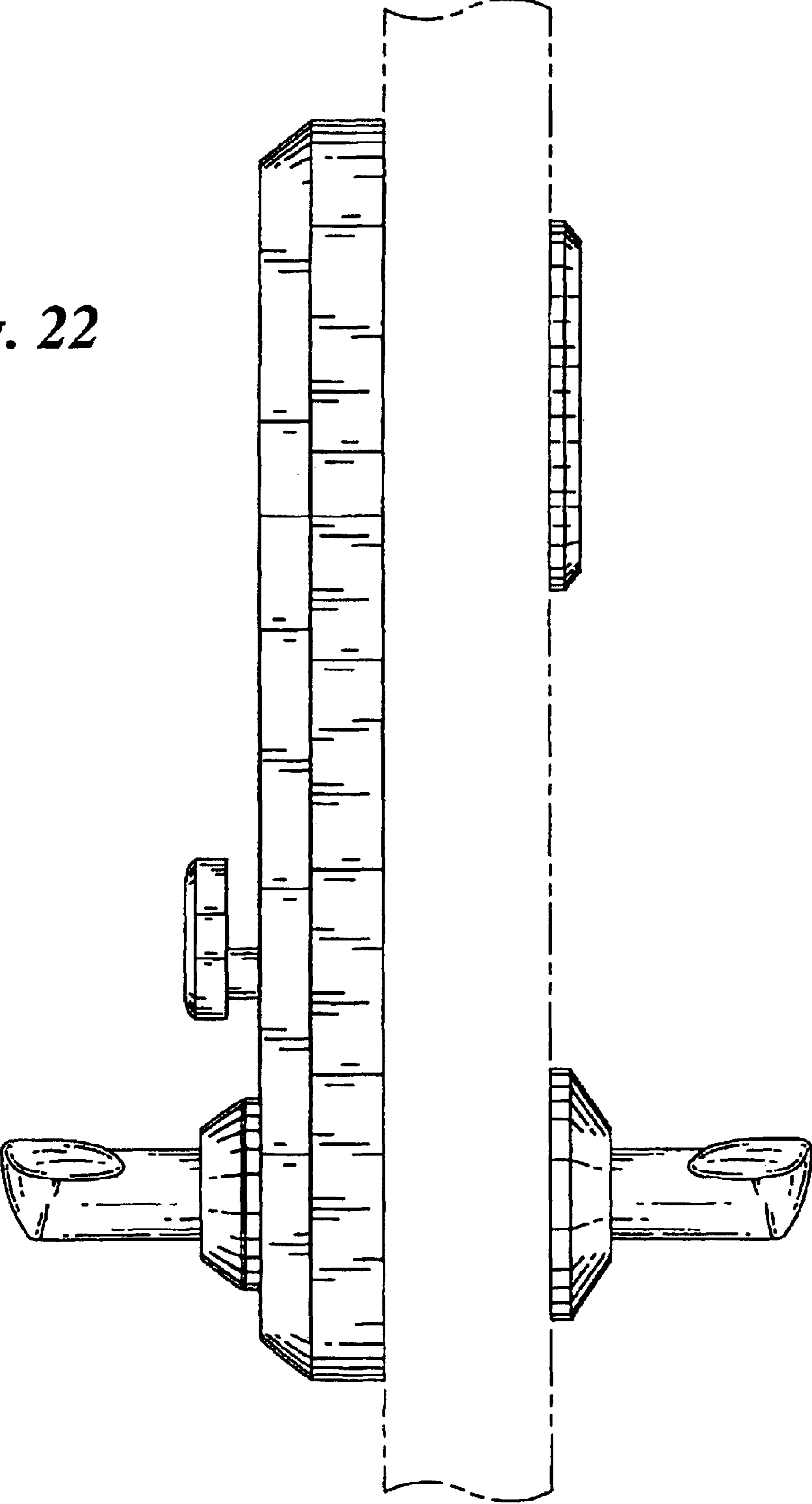
*Fig. 20*



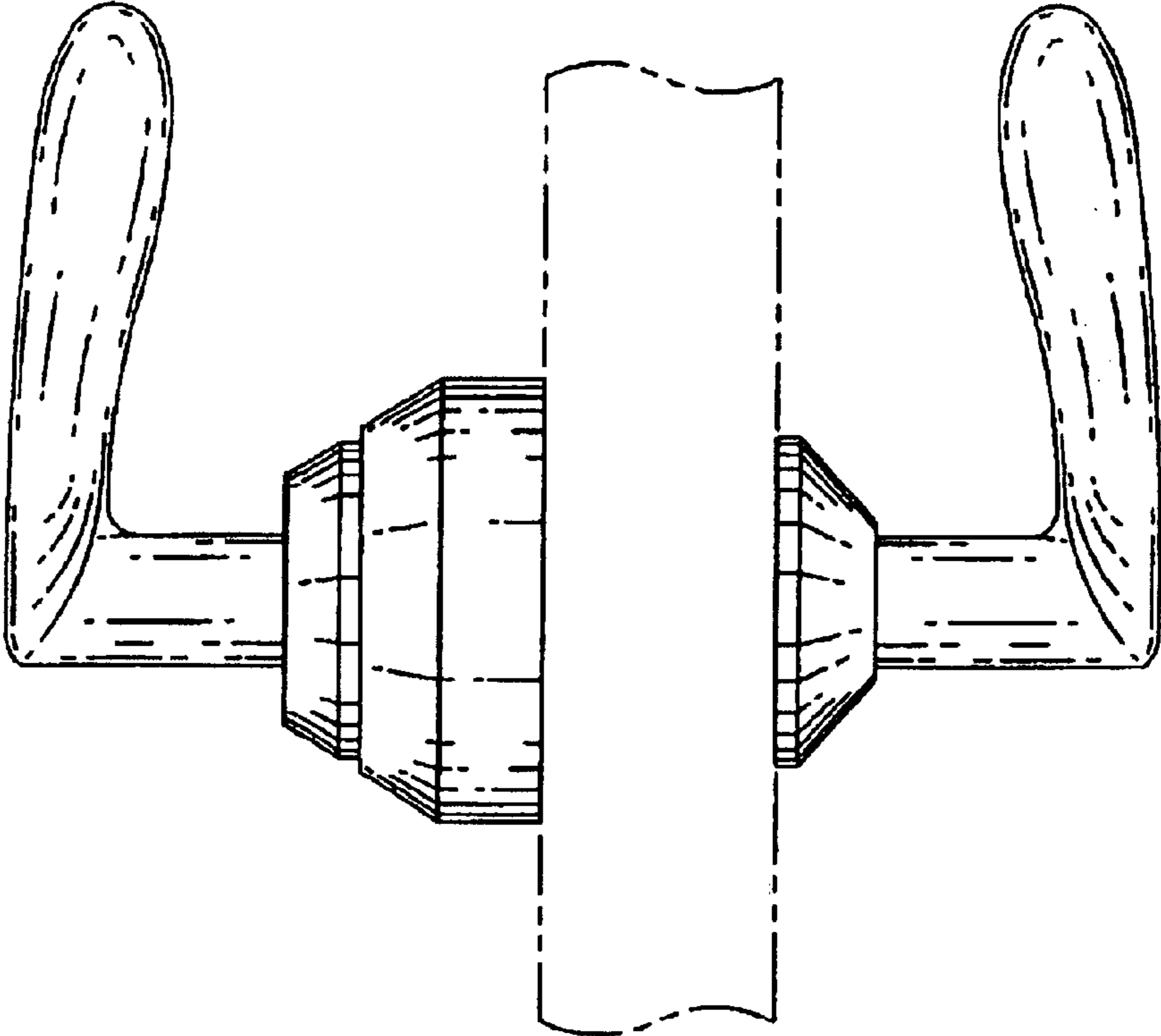
*Fig. 21*



*Fig. 22*



*Fig. 24*



*Fig. 23*

