



US00D512291S

(12) **United States Design Patent**  
Thomas et al.

(10) **Patent No.: US D512,291 S**  
(45) **Date of Patent: \*\* Dec. 6, 2005**

(54) **ROUND HEAD FRAMING NAILER**

(75) Inventors: **Benjamin J. Thomas**, Anderson, SC  
(US); **Kenneth M. Brazell**, Piedmont,  
SC (US)

(73) Assignee: **Eastway Fair Company Limited**,  
Torotola (VG)

(\*\*) Term: **14 Years**

(21) Appl. No.: **29/221,209**

(22) Filed: **Jan. 11, 2005**

(51) **LOC (8) Cl.** ..... **08-05**

(52) **U.S. Cl.** ..... **D8/69**

(58) **Field of Search** ..... D8/14.1, 61, 62,  
D8/63, 64, 65, 66, 67, 68, 69, 70; 81/57.11,  
429, 464, 465, 466, 469, 489; 173/13, 169,  
178, 213, 217; 227/8, 114, 120, 130, 136,  
142; 310/50; 408/20, 124, 125, 234, 241 R;  
451/358

(56) **References Cited**

**U.S. PATENT DOCUMENTS**

|           |    |   |         |                 |       |         |
|-----------|----|---|---------|-----------------|-------|---------|
| D338,606  | S  | * | 8/1993  | Oda             | ..... | D8/69   |
| 5,816,469 | A  | * | 10/1998 | Ohuchi          | ..... | 227/120 |
| 6,158,643 | A  | * | 12/2000 | Phillips        | ..... | 227/130 |
| D435,770  | S  | * | 1/2001  | Arai            | ..... | D8/68   |
| 6,199,739 | B1 | * | 3/2001  | Mukoyama et al. | ..... | 227/8   |
| 6,494,355 | B2 | * | 12/2002 | Adachi et al.   | ..... | 227/120 |
| 6,502,737 | B2 | * | 1/2003  | Akiba           | ..... | 227/120 |
| D477,975  | S  | * | 8/2003  | Lai             | ..... | D8/68   |

|              |    |   |         |               |       |         |
|--------------|----|---|---------|---------------|-------|---------|
| D486,048     | S  | * | 2/2004  | Hattori       | ..... | D8/68   |
| 6,726,080    | B2 | * | 4/2004  | Hamada        | ..... | 173/169 |
| D501,778     | S  | * | 2/2005  | Liang         | ..... | D8/68   |
| 6,892,921    | B2 | * | 5/2005  | Beville       | ..... | 227/130 |
| 2001/0017311 | A1 | * | 8/2001  | Hamano et al. | ..... | 227/120 |
| 2001/0030218 | A1 | * | 10/2001 | Adachi et al. | ..... | 227/120 |
| 2005/0017045 | A1 | * | 1/2005  | Beville       | ..... | 227/2   |

**FOREIGN PATENT DOCUMENTS**

|    |         |   |   |        |
|----|---------|---|---|--------|
| GB | 2080787 | S | * | 8/1998 |
| GB | 2103183 | S | * | 2/2001 |
| GB | 3006207 | S | * | 8/2002 |

\* cited by examiner

*Primary Examiner*—Gary D. Watson  
*Assistant Examiner*—T. Chase Nelson

(74) *Attorney, Agent, or Firm*—Brinks Hofer Gilson & Lione

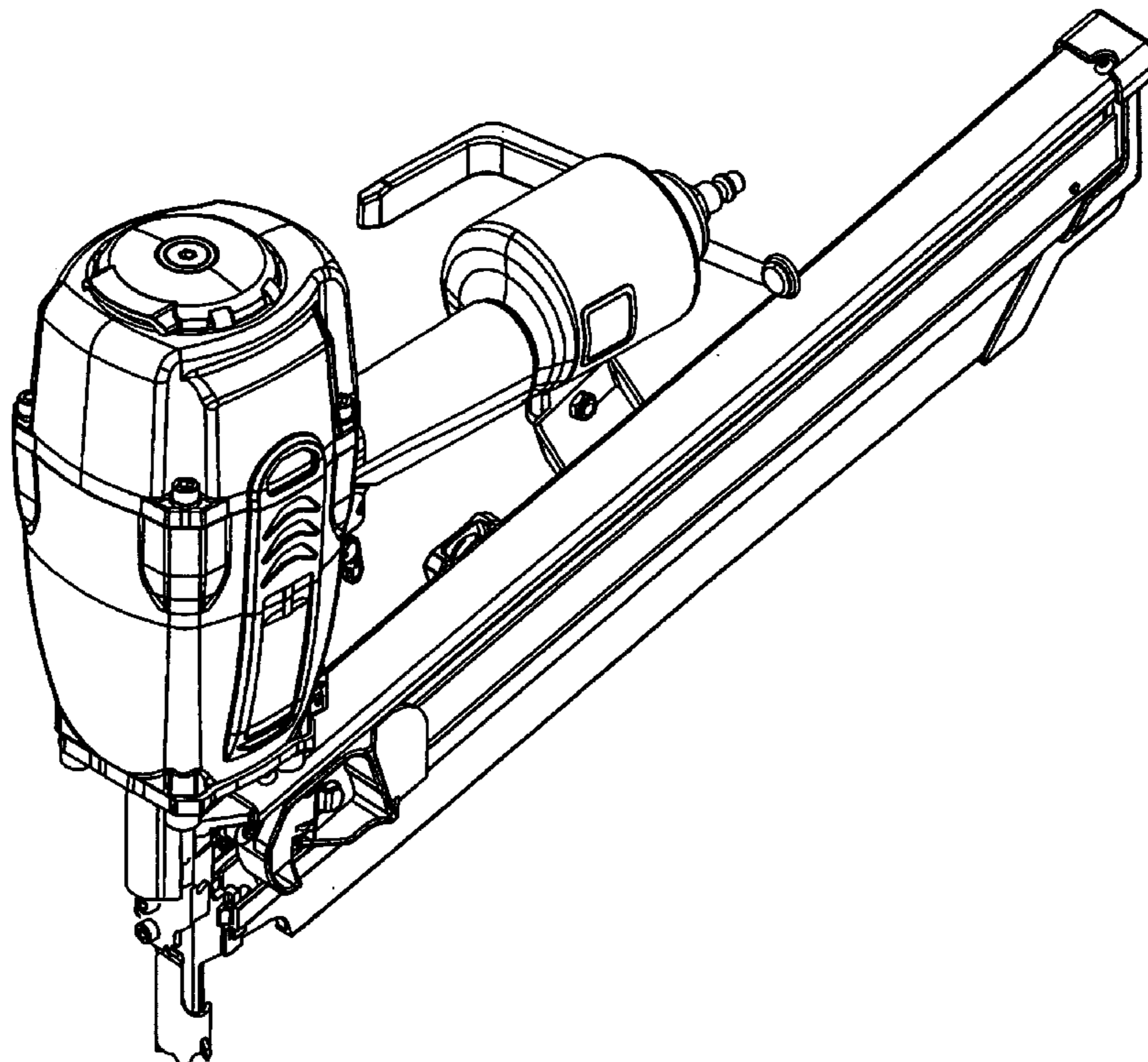
(57) **CLAIM**

The ornamental design for a round head framing nailer, as shown and described.

**DESCRIPTION**

FIG. 1 is a top perspective view of a round head framing nailer of the present invention; FIG. 2 is a first side view thereof; FIG. 3 is a second side view thereof; FIG. 4 is a top view thereof; FIG. 5 is a bottom view thereof; FIG. 6 is a rear view thereof; and, FIG. 7 is a front view thereof.

**1 Claim, 6 Drawing Sheets**



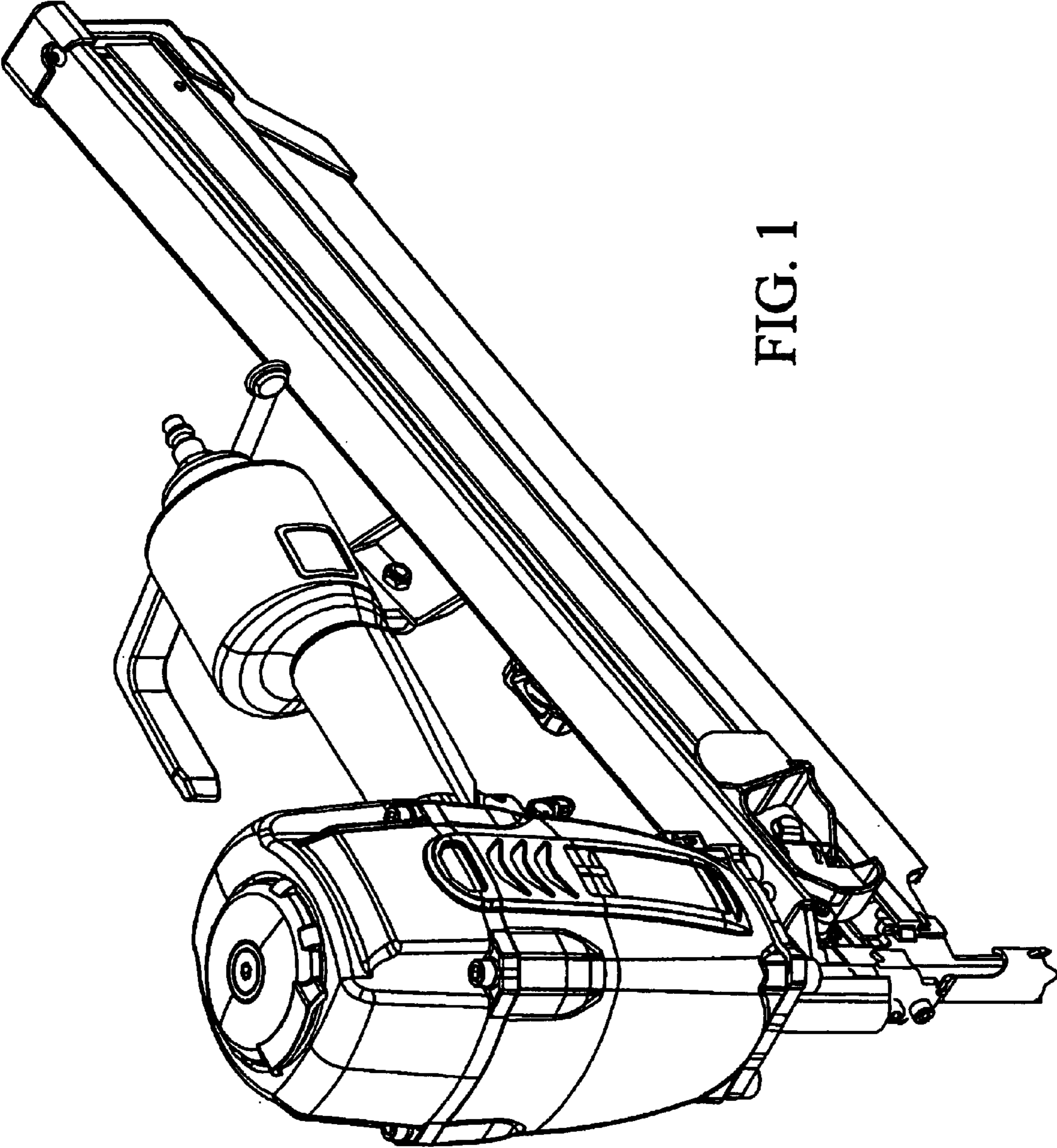


FIG. 1

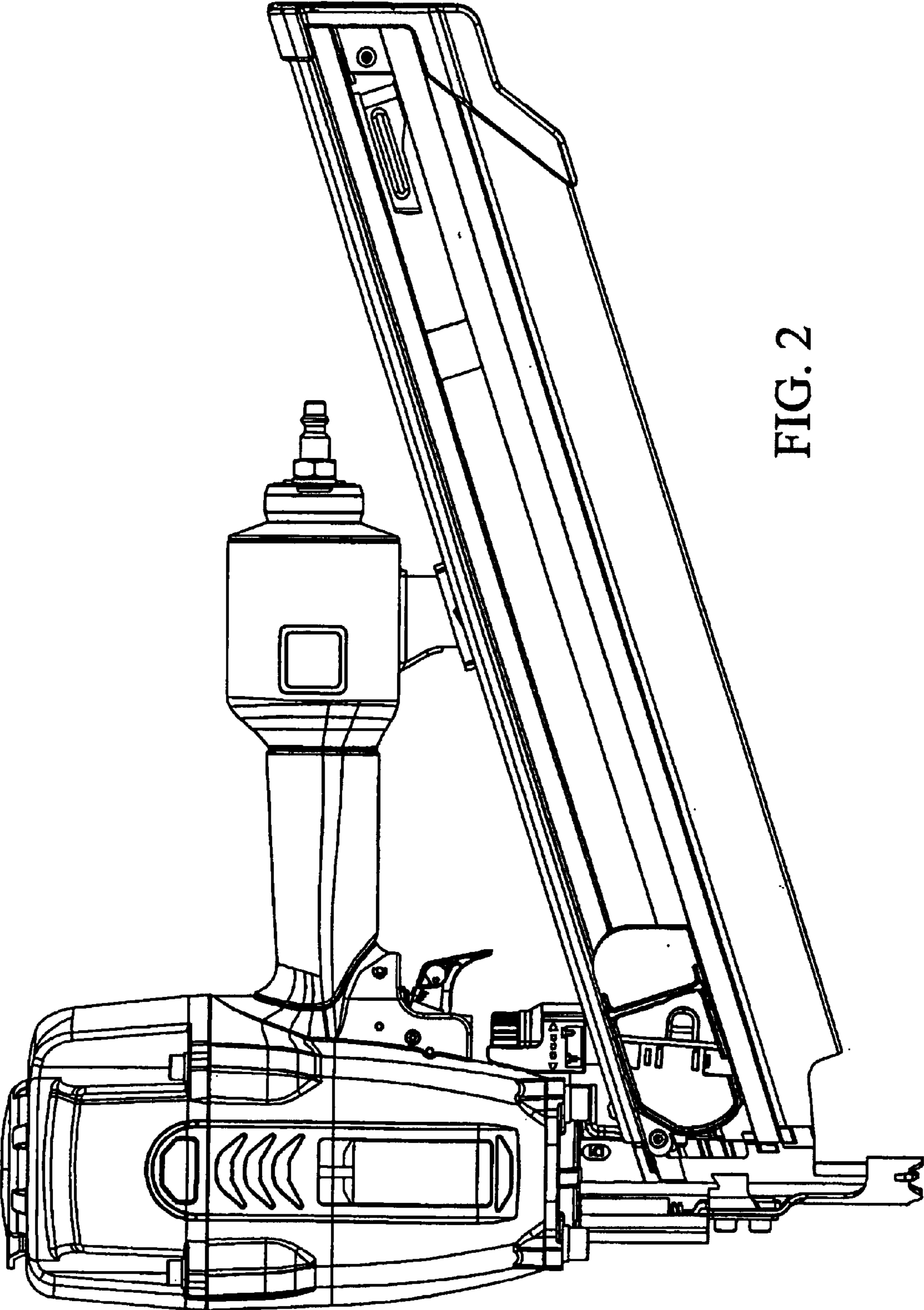


FIG. 2

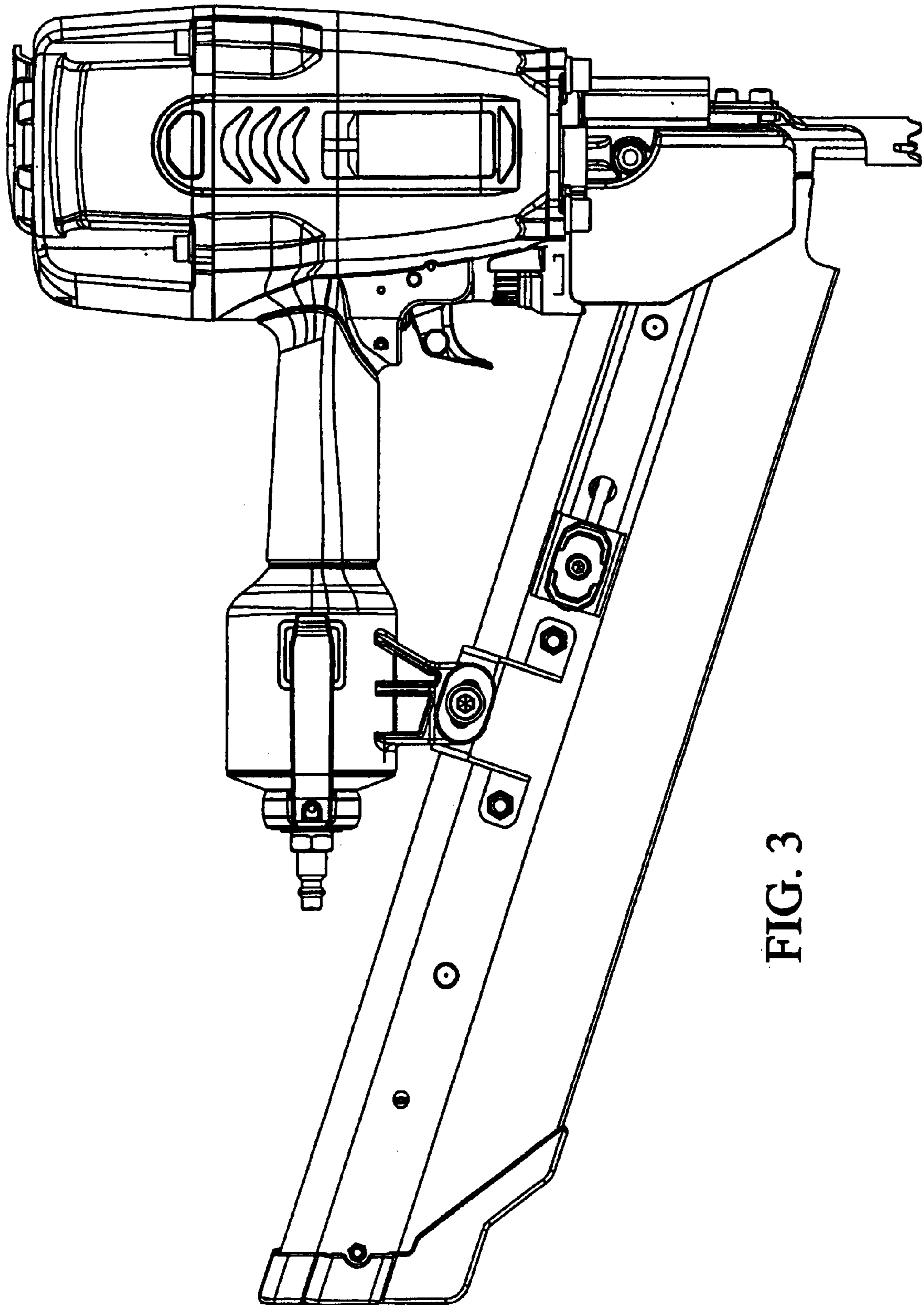


FIG. 3

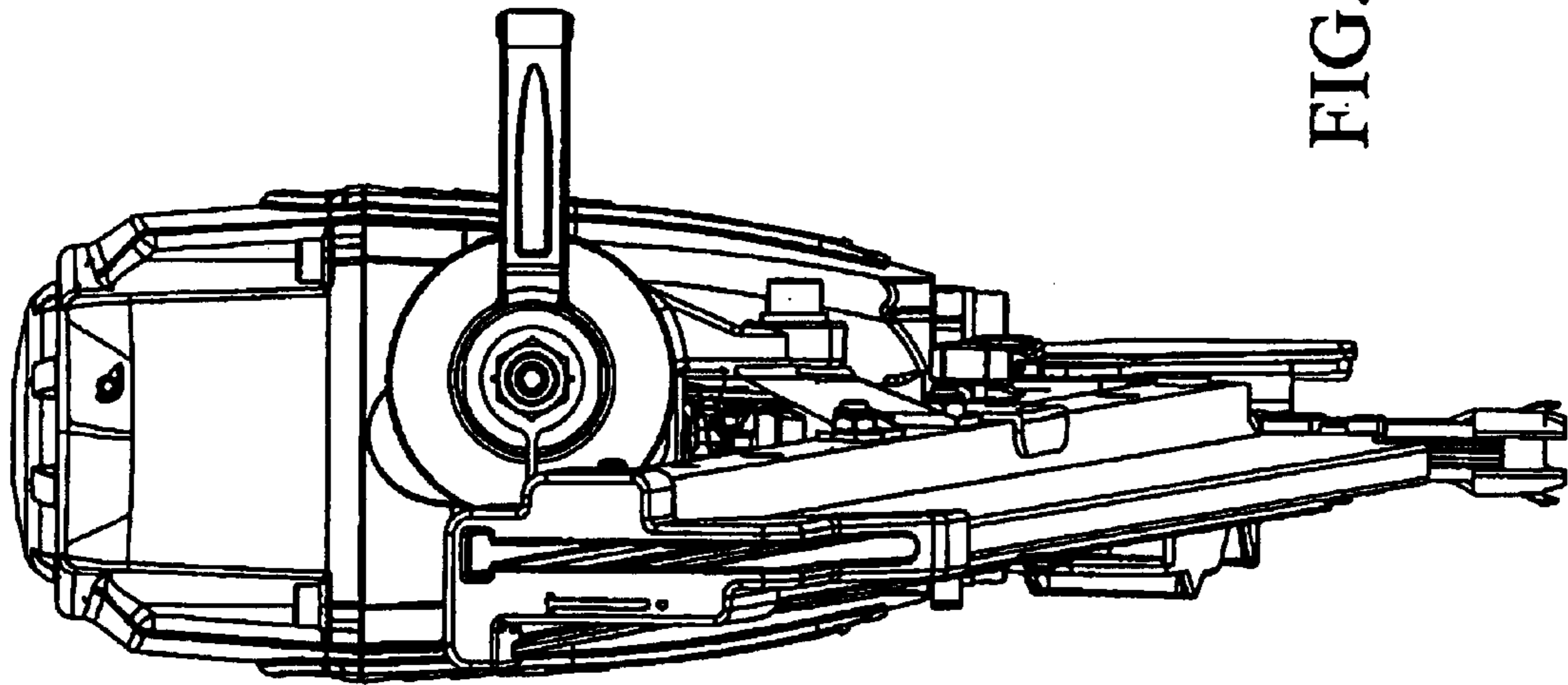


FIG. 5

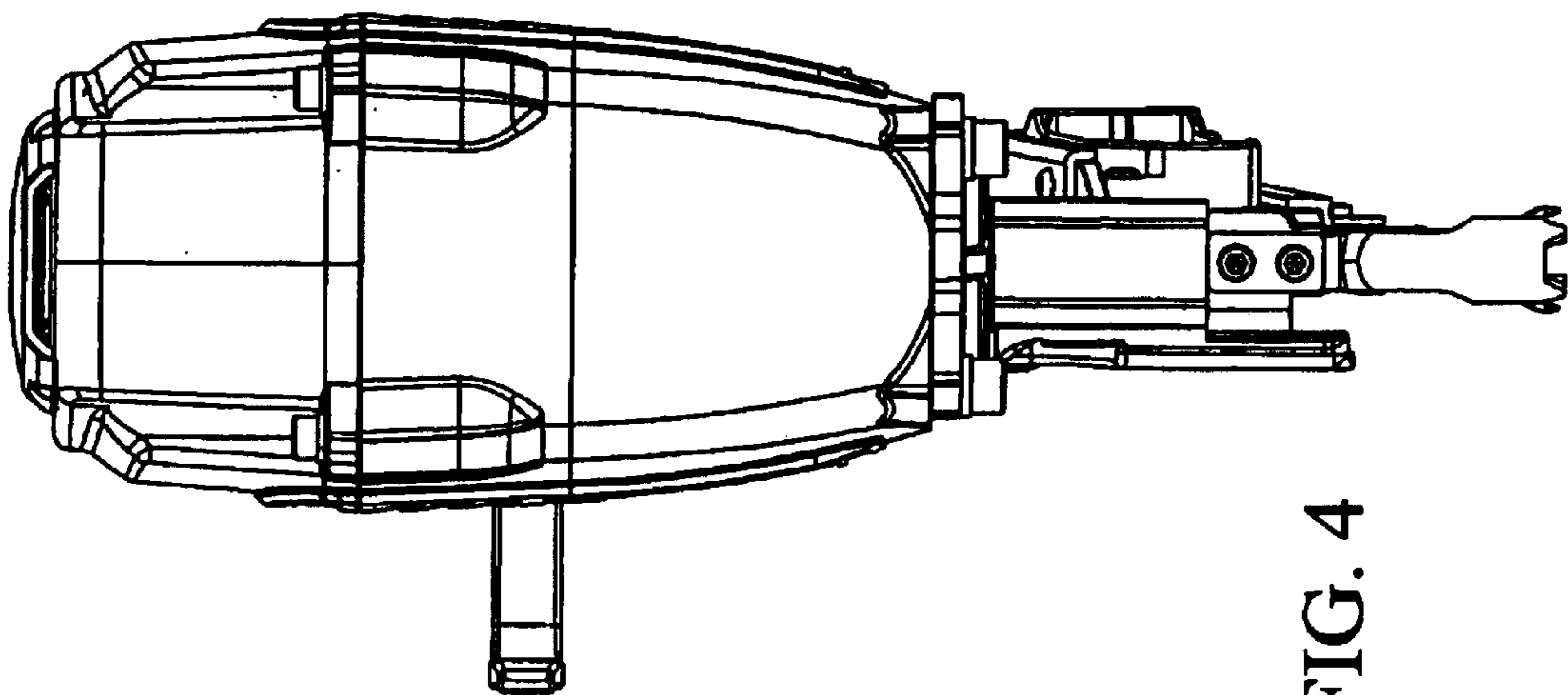


FIG. 4

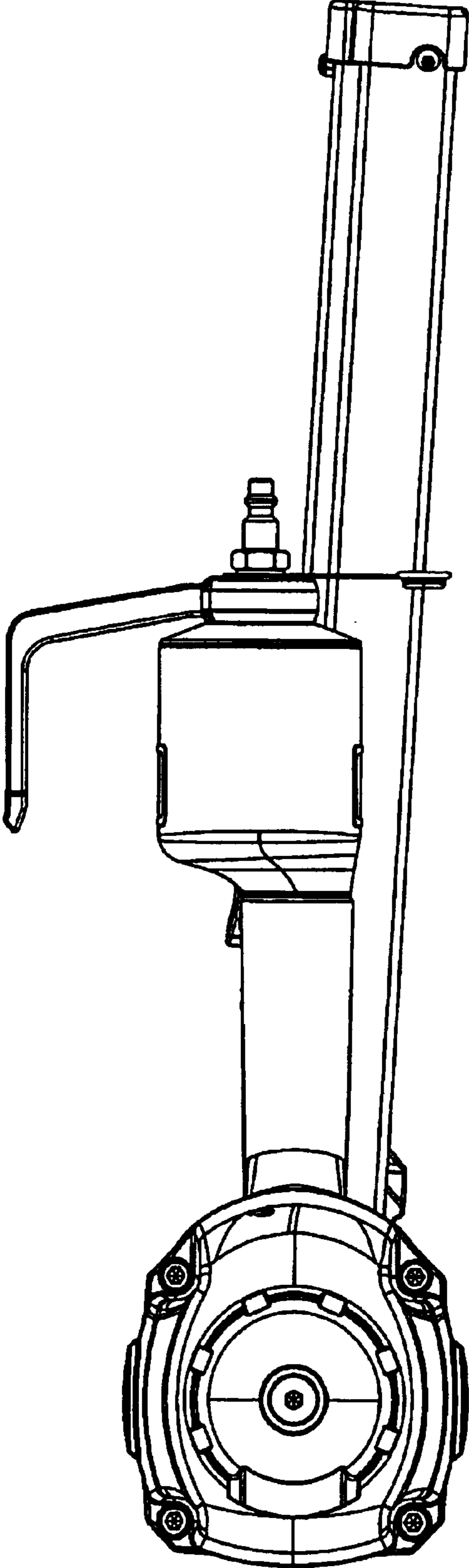


FIG. 6

FIG. 7

