



US00D512290S

(12) **United States Design Patent** (10) **Patent No.:** **US D512,290 S**
Adams et al. (45) **Date of Patent:** **** Dec. 6, 2005**

(54) **STAPLER**

(75) Inventors: **David P. Adams**, Barrington, IL (US);
Joel G. Delman, Chicago, IL (US);
Melanie Lyn Conklin, Chicago, IL
(US); **Stephen John Gaynes**, McHenry,
IL (US); **Michael F. De Rossi**,
Lindenhurst, IL (US)

(73) Assignee: **ACCO Brands, Inc.**, Lincolnshire, IL
(US)

(**) Term: **14 Years**

(21) Appl. No.: **29/222,979**

(22) Filed: **Feb. 7, 2005**

Related U.S. Application Data

(63) Continuation of application No. 29/203,830, filed on Apr.
20, 2004, now Pat. No. Des. 503,320.

(51) **LOC (8) Cl.** **19-02**

(52) **U.S. Cl.** **D8/50; D8/49; D19/72**

(58) **Field of Search** **D8/49, 50; D19/72;**
227/120, 126, 127, 128, 131, 132, 134,
156

(56) **References Cited**

U.S. PATENT DOCUMENTS

2,975,424 A	*	3/1961	Oussani	227/131
4,726,505 A		2/1988	Okazaki		
D310,950 S	*	10/1990	Olesen et al.	D8/49
D319,377 S		8/1991	Sadashima et al.		
D331,000 S		11/1992	Doorley		
D332,732 S	*	1/1993	Matsuno	D8/50
D374,385 S	*	10/1996	Herbst et al.	D8/50
D407,751 S		4/1999	Zimmermann		
D445,323 S		7/2001	Arns		

D467,778 S		12/2002	Nolan		
D471,413 S		3/2003	Fukuda		
6,547,119 B2		4/2003	Huang		
D475,905 S		6/2003	Kroger		
D503,321 S	*	3/2005	Harris	D8/50

OTHER PUBLICATIONS

Miller's Office Products Catalog, 1995 p. 890 (Light to
Medium-Duty Electric Stapler, item E).*

ACCO Brands, Inc., Fact Book 2001, Feb. 1, 2001, pp.
188-189.

ACCO Brands, Inc., Fact Book 2003, Feb. 1, 2003, pp. 98,
99 and 110-112.

* cited by examiner

Primary Examiner—Adir Aronovich

(74) *Attorney, Agent, or Firm*—Michael Best & Friedrich
LLP

(57) **CLAIM**

The ornamental design for a stapler, as shown and described.

DESCRIPTION

FIG. 1 is a right-side perspective view, taken from the front,
of a stapler embodying the present invention.

FIG. 2 is a left-side perspective view taken from the front of
the stapler.

FIG. 3 is a left-side perspective view taken from the rear of
the stapler.

FIG. 4 is a left side view of the stapler.

FIG. 5 is a front view of the stapler.

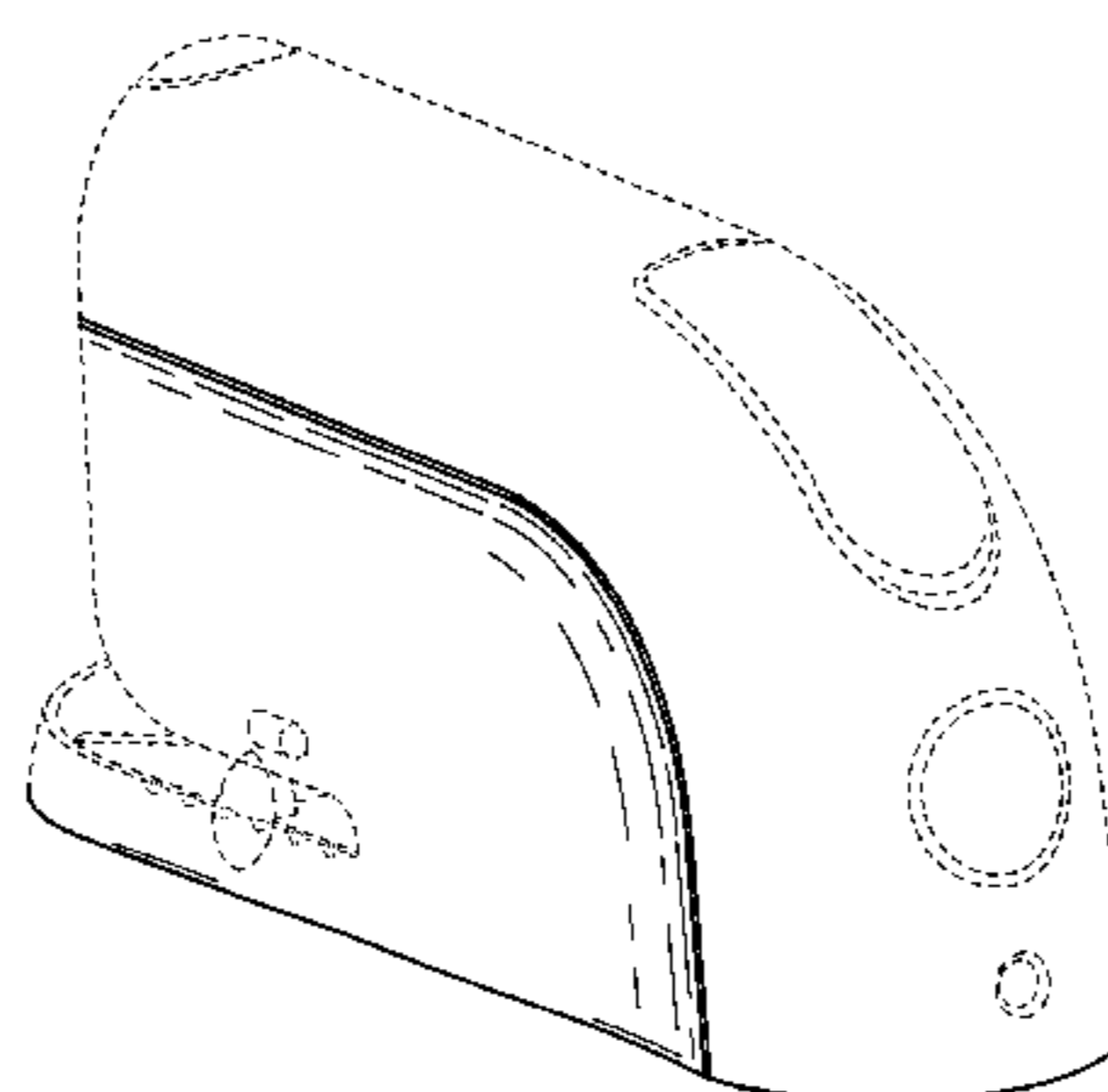
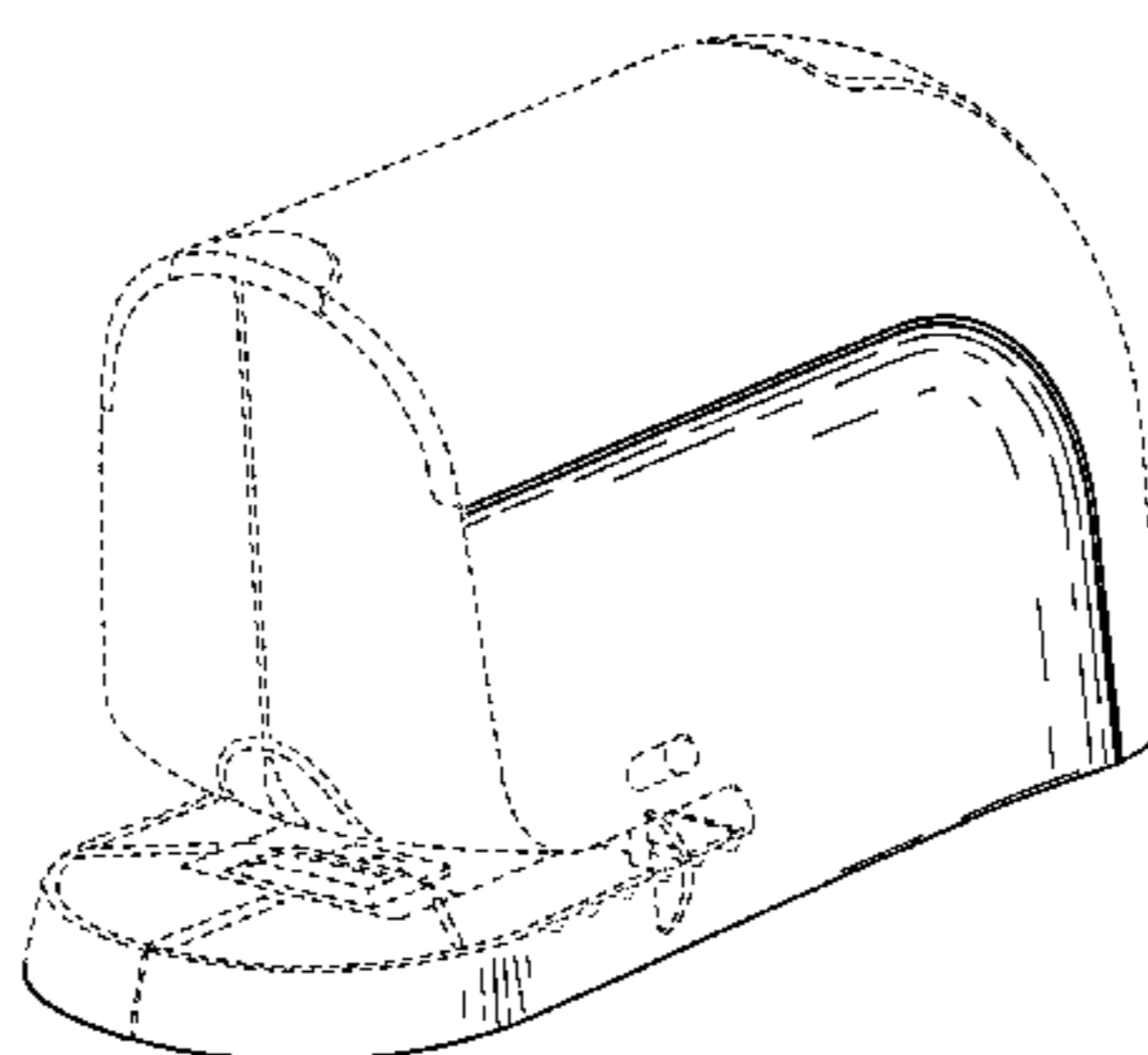
FIG. 6 is a right side view of the stapler.

FIG. 7 is a rear view of the stapler; and,

FIG. 8 is a top view of the stapler.

The portions of the stapler shown in broken lines are for
illustrative purposes only and form no part of the claimed
design.

1 Claim, 5 Drawing Sheets



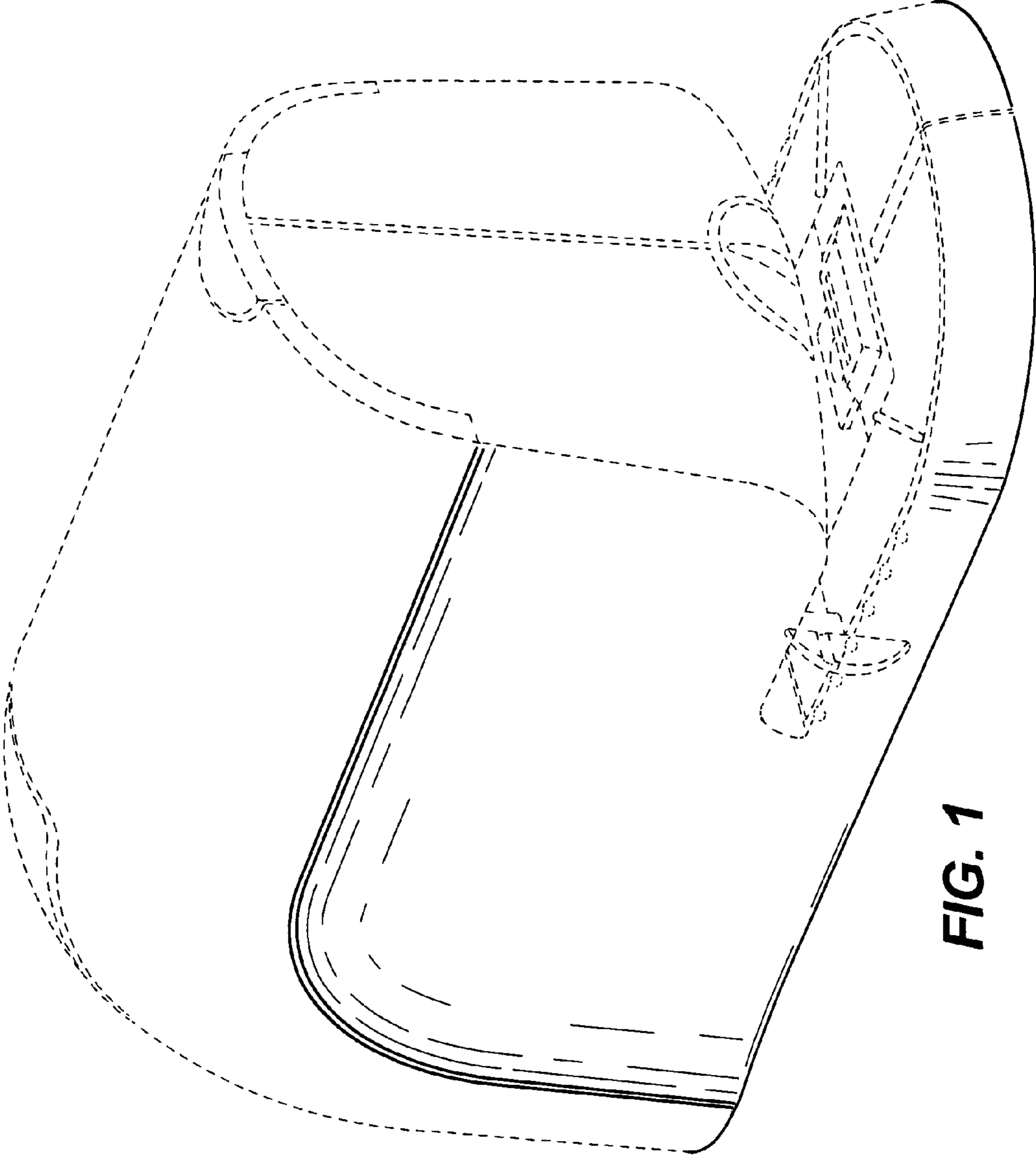


FIG. 1

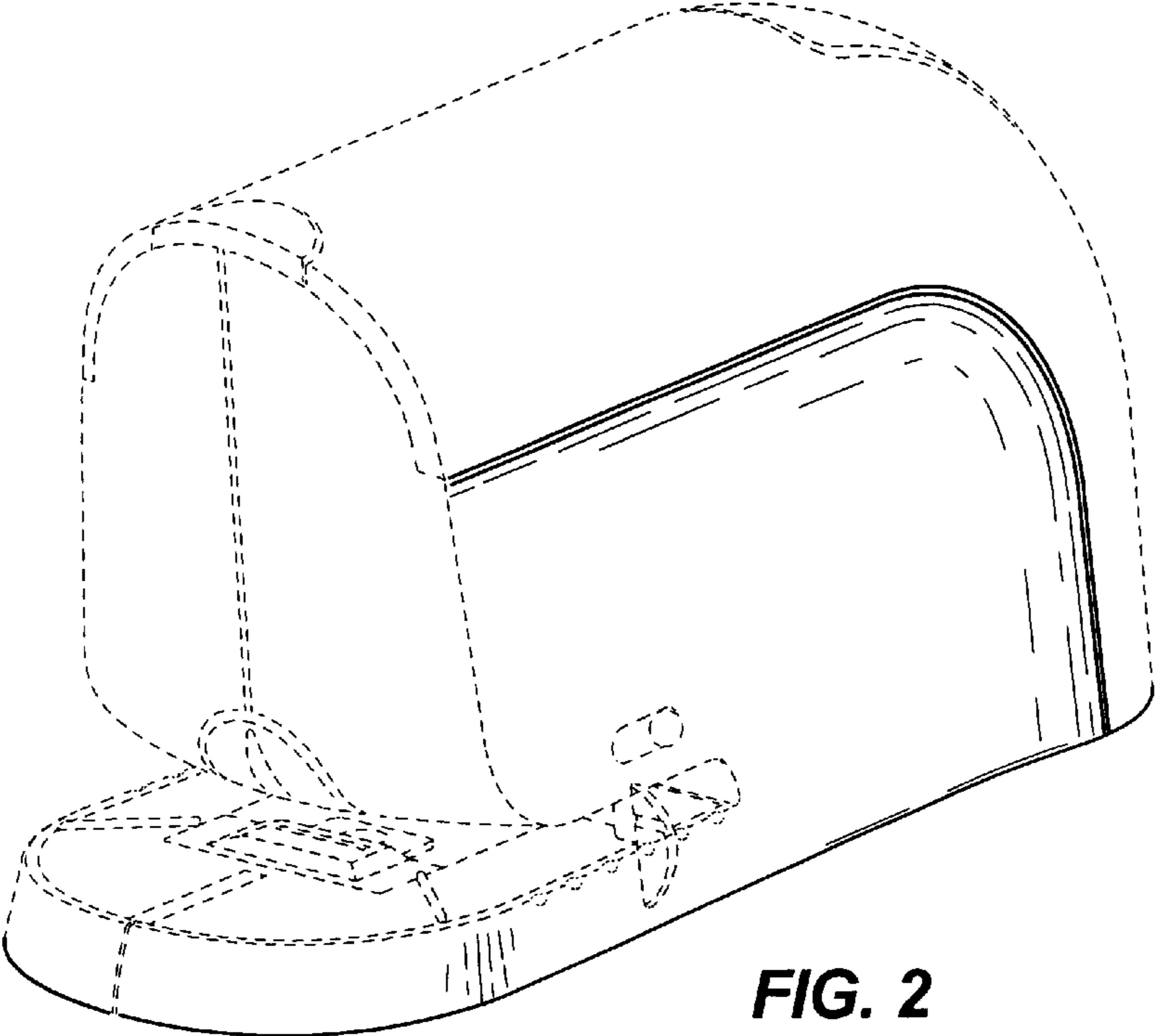


FIG. 2

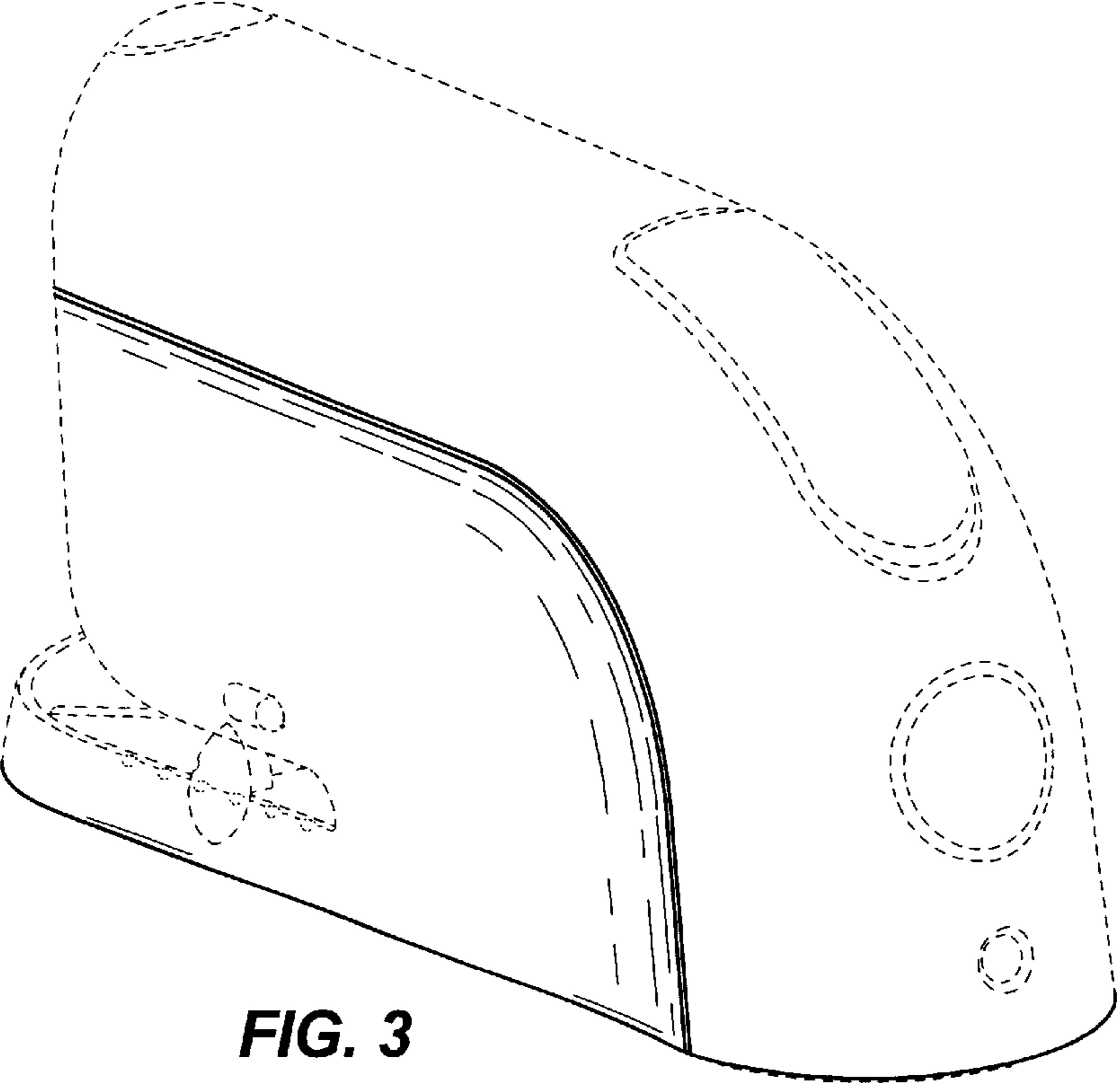


FIG. 3

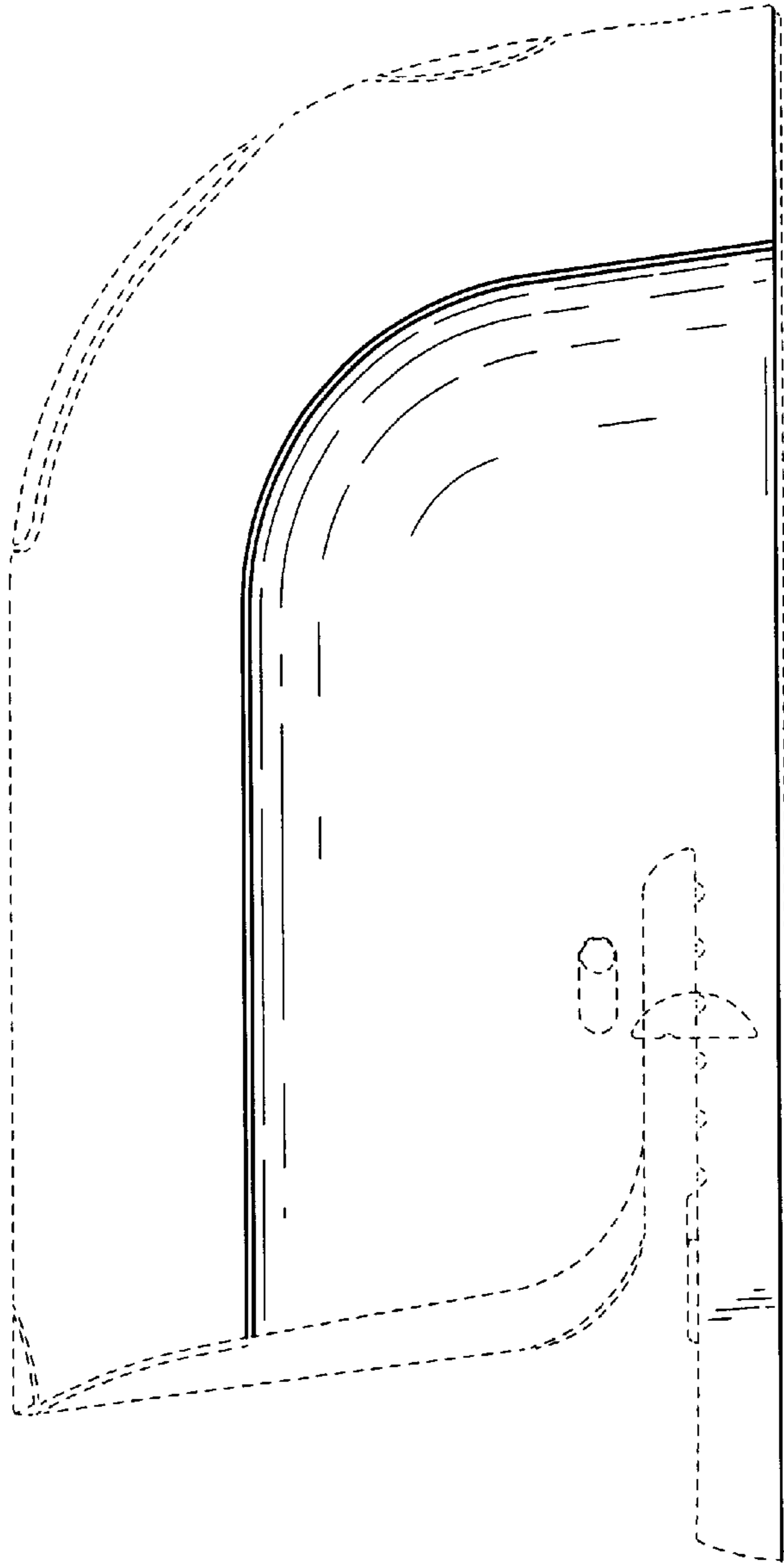


FIG. 4

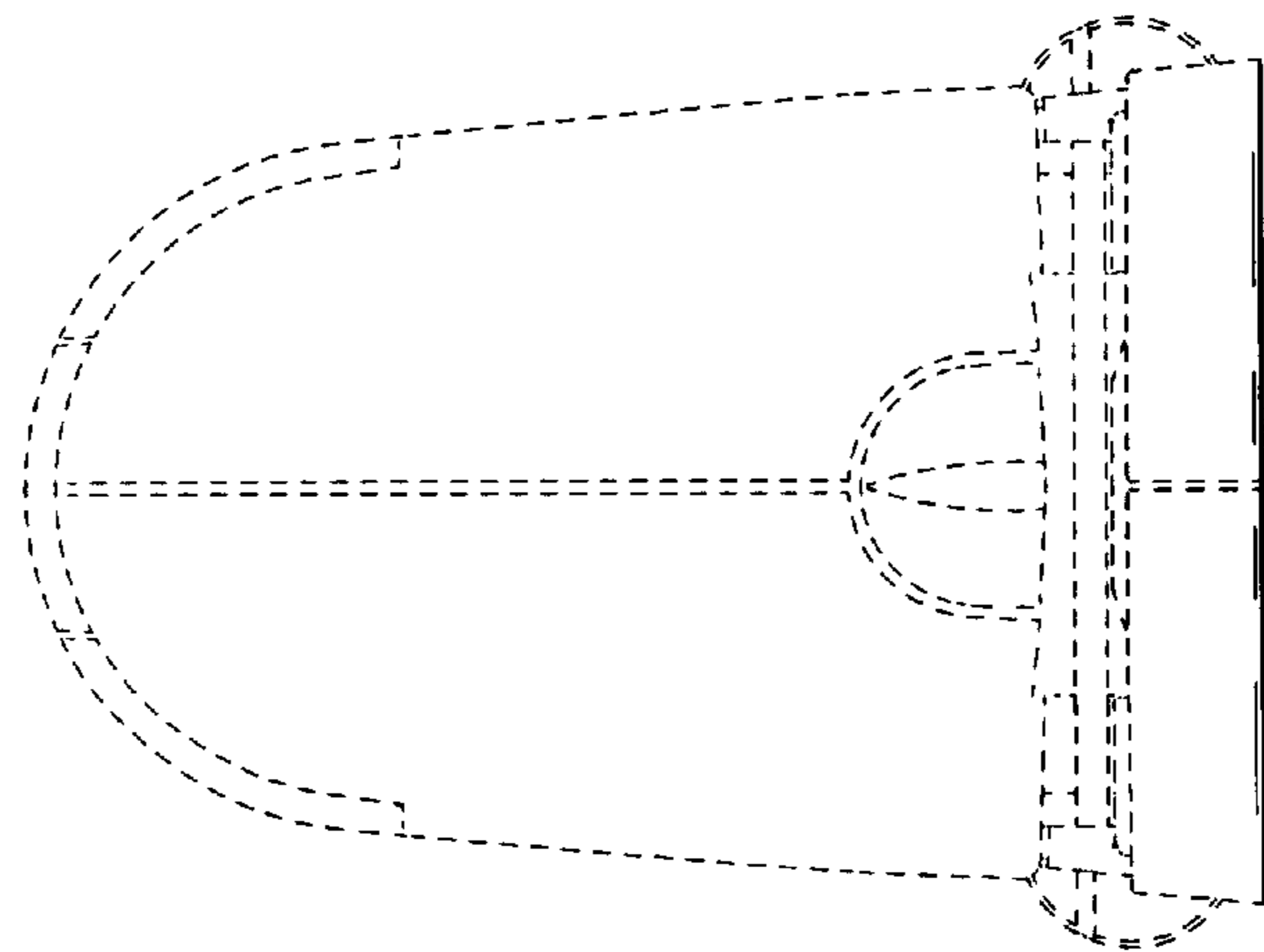


FIG. 5

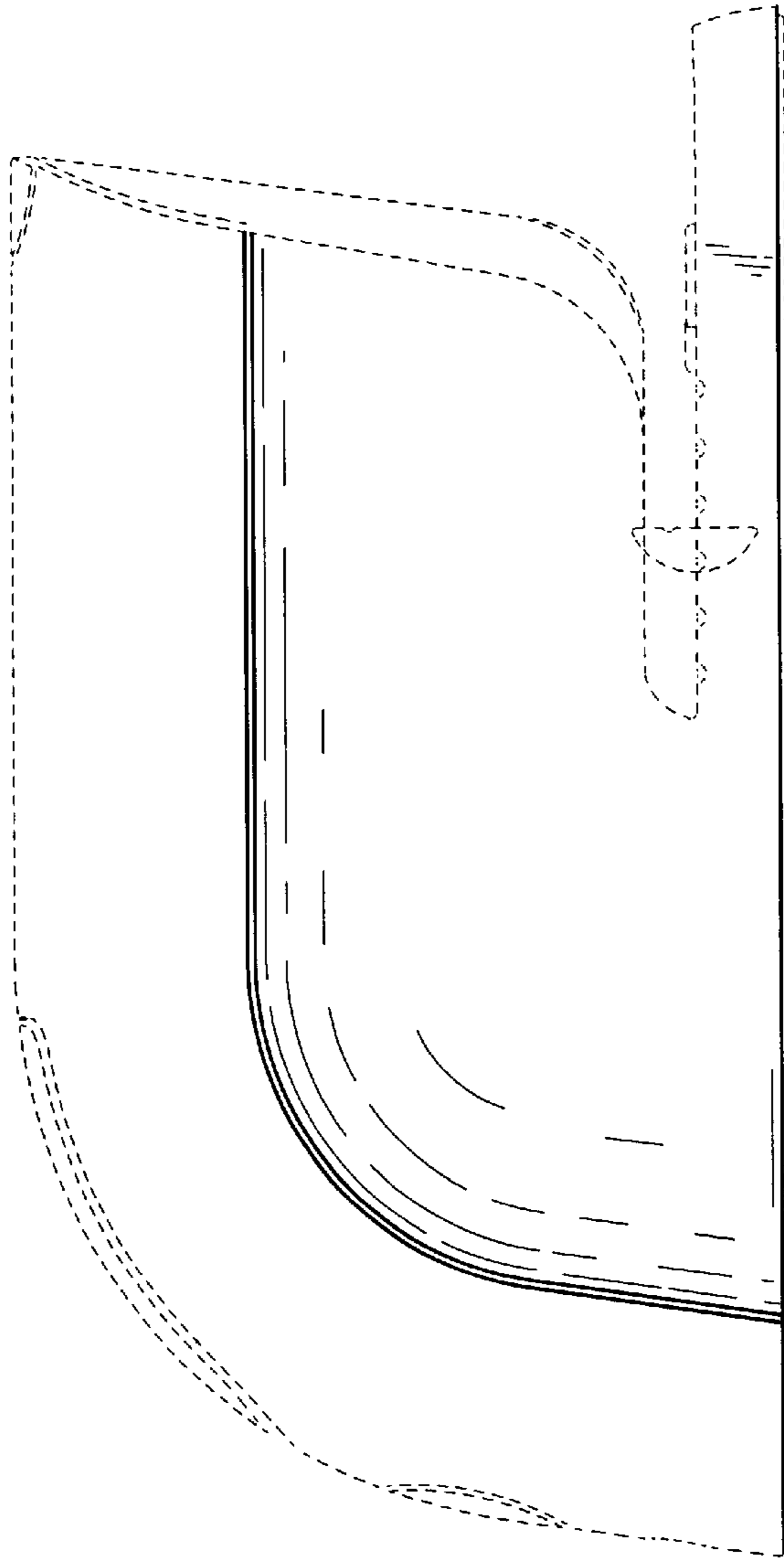


FIG. 6

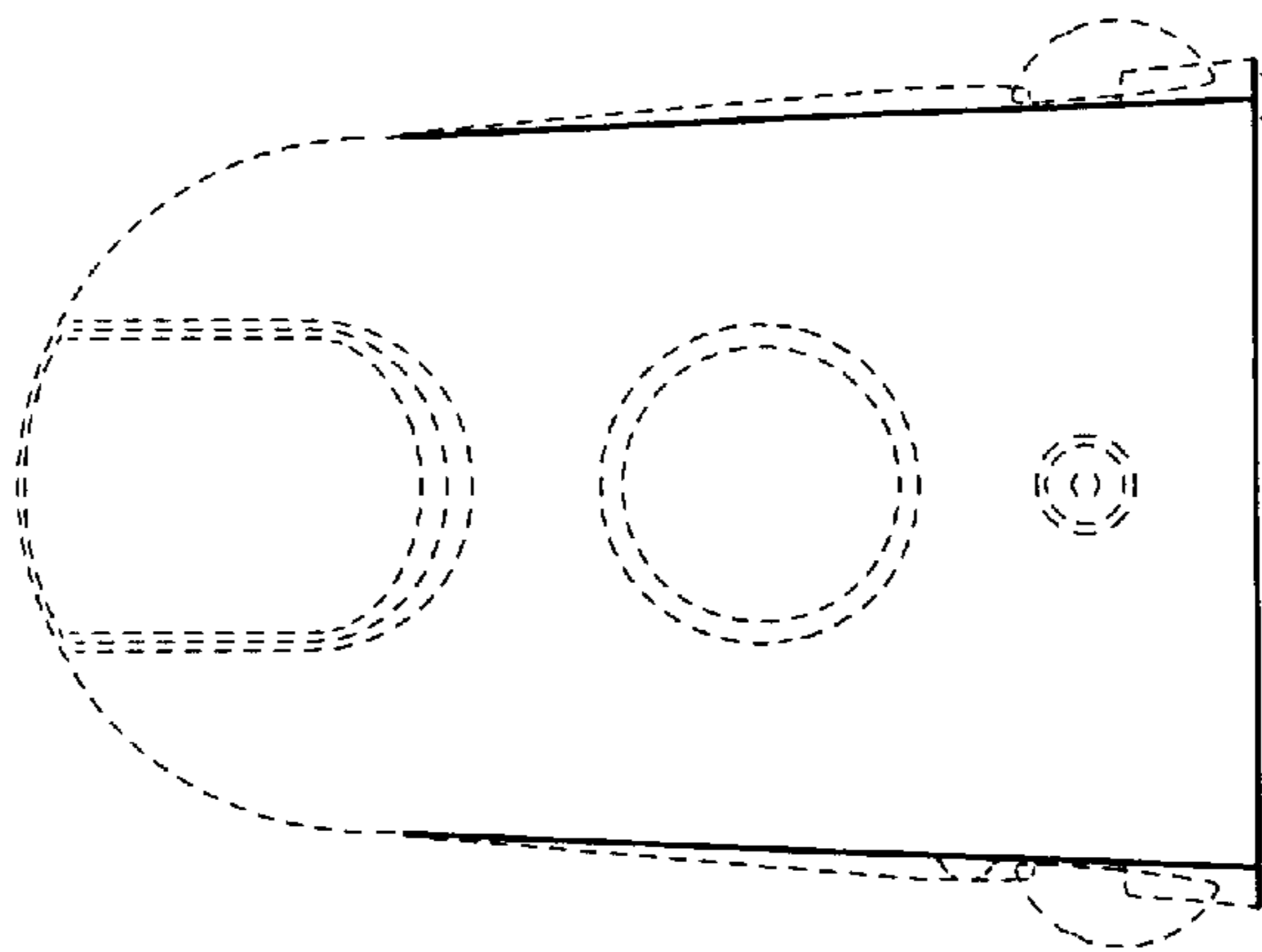


FIG. 7

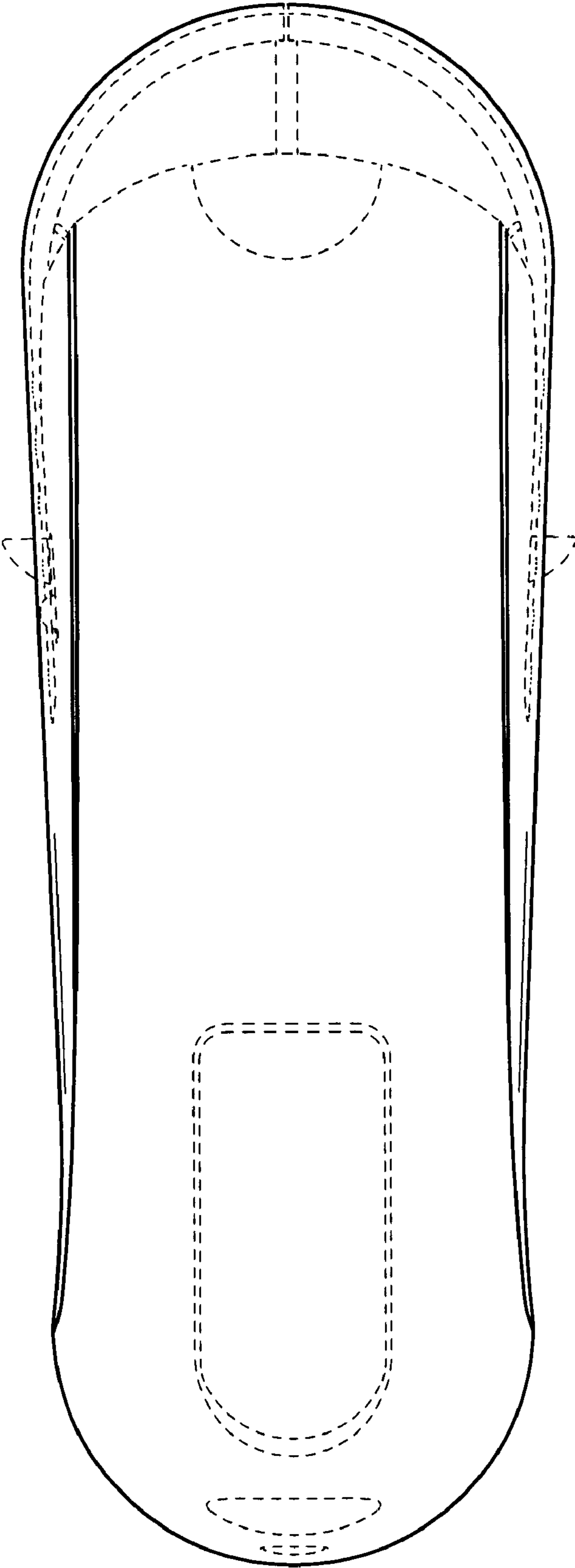


FIG. 8