

US00D512289S

(12) **United States Design Patent**
Miwa et al.

(10) **Patent No.:** **US D512,289 S**
(45) **Date of Patent:** **** Dec. 6, 2005**

(54) **STAPLE CARTRIDGE**

(75) Inventors: **Toshihide Miwa**, Tokyo (JP); **Kiichi Haramiishi**, Tokyo (JP)

(73) Assignee: **Max Kabushiki Kaisha (Max Co., Ltd.)**, Tokyo (JP)

(**) Term: **14 Years**

(21) Appl. No.: **29/200,132**

(22) Filed: **Feb. 25, 2004**

(30) **Foreign Application Priority Data**

Aug. 26, 2003 (JP) 2003-024609

(51) **LOC (8) Cl.** **19-02**

(52) **U.S. Cl.** **D8/49**

(58) **Field of Search** D8/49, 50; 227/7, 227/120, 131, 132, 135, 136, 156

(56) **References Cited**

U.S. PATENT DOCUMENTS

- 5,474,222 A * 12/1995 Kanai et al. 227/131
- 5,560,529 A * 10/1996 Udagawa et al. 227/136
- 5,575,054 A * 11/1996 Klinzing et al. 227/120
- 5,676,299 A * 10/1997 Yoshie et al. 227/131
- 6,216,936 B1 * 4/2001 Abe 227/131
- D480,614 S * 10/2003 Haramiishi D8/49
- 6,705,504 B1 * 3/2004 Kanai et al. 227/135

FOREIGN PATENT DOCUMENTS

WO WO 03013801 * 2/2003 B25C/5/16

* cited by examiner

Primary Examiner—Adir Aronovich

(74) *Attorney, Agent, or Firm*—Burns, Doane, Swecker & Mathis, L.L.P.

(57) **CLAIM**

The ornamental design for a staple cartridge, as shown and described.

DESCRIPTION

FIG. 1 is a top, front perspective view of a staple cartridge showing our new design.

FIG. 2 is a rear, bottom perspective view thereof.

FIG. 3 is a front elevational view thereof.

FIG. 4 is a rear elevational view thereof.

FIG. 5 is a right side elevational view thereof.

FIG. 6 is a left side elevational view thereof.

FIG. 7 is a top plan view thereof.

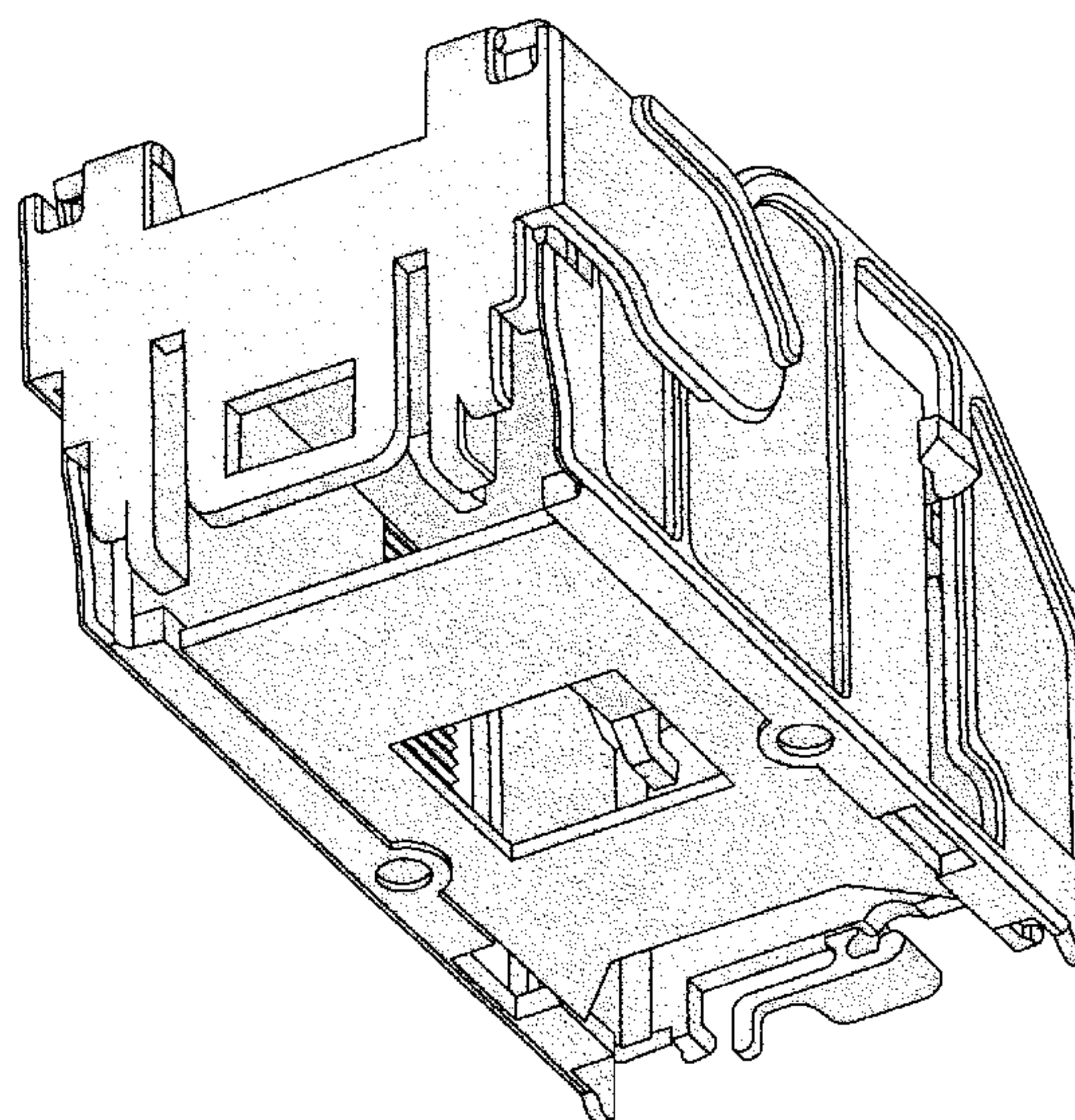
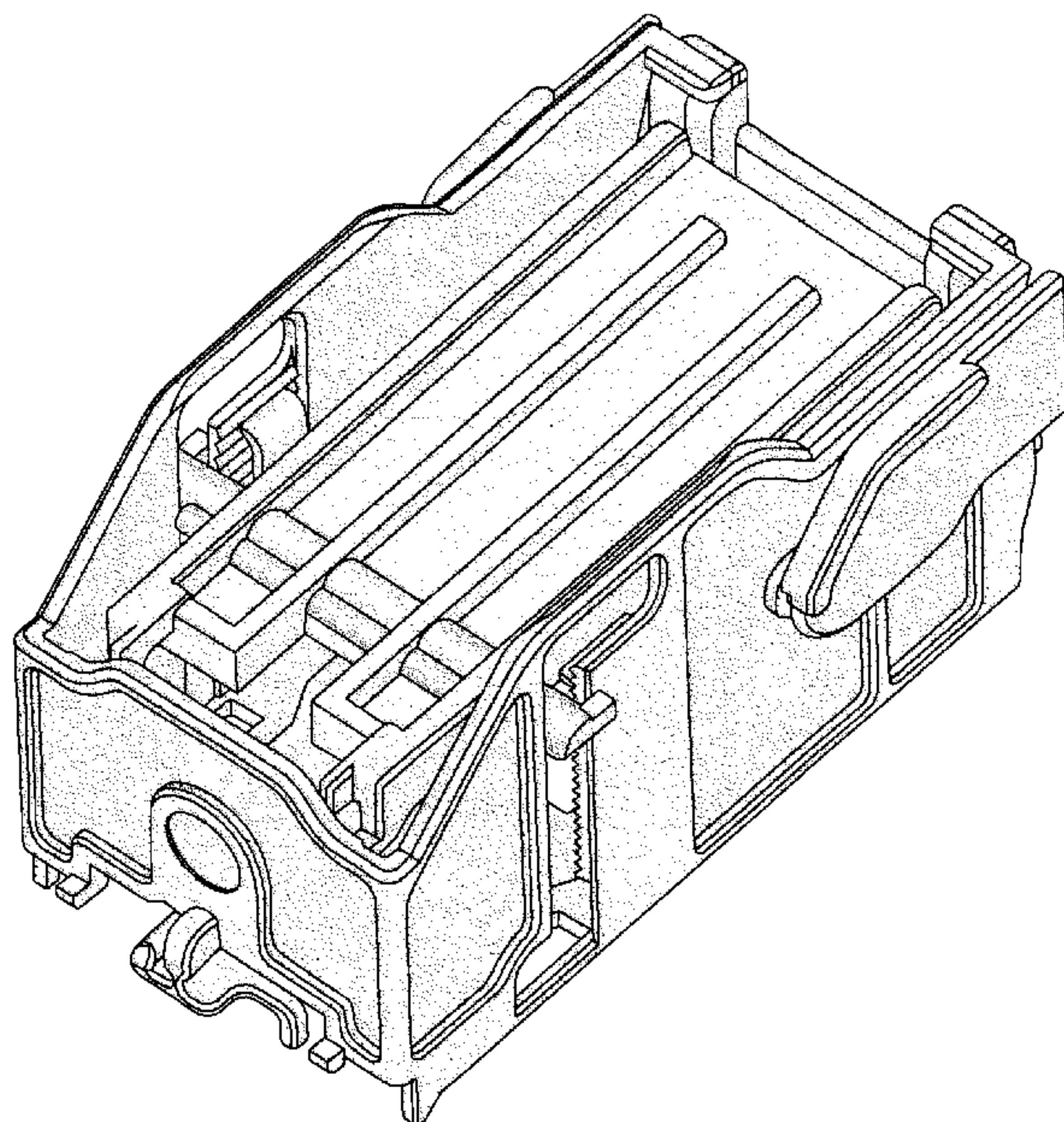
FIG. 8 is a bottom plan view thereof.

FIG. 9 is a cross-sectional view taken generally along the line 9—9 shown in FIG. 5, with staples inserted in the staple cartridge; and,

FIG. 10 is a cross-sectional view taken generally along the line 10—10 shown in FIG. 7, with staples inserted in the staple cartridge.

The stipple shading illustrating the contrast throughout the views is limited to distinguish contours between the open and closed areas and does not represent any color, texture or material.

1 Claim, 4 Drawing Sheets



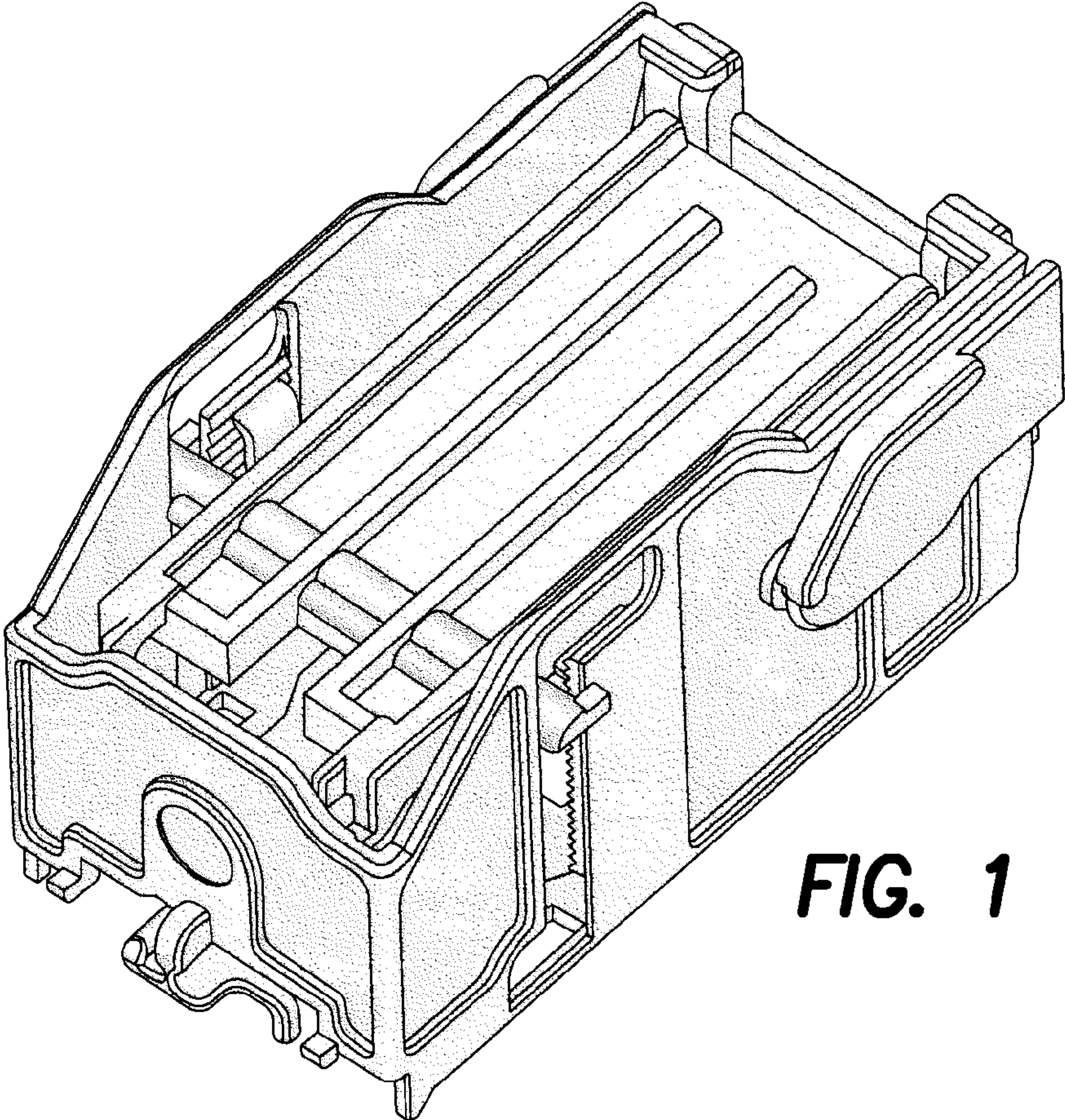


FIG. 1

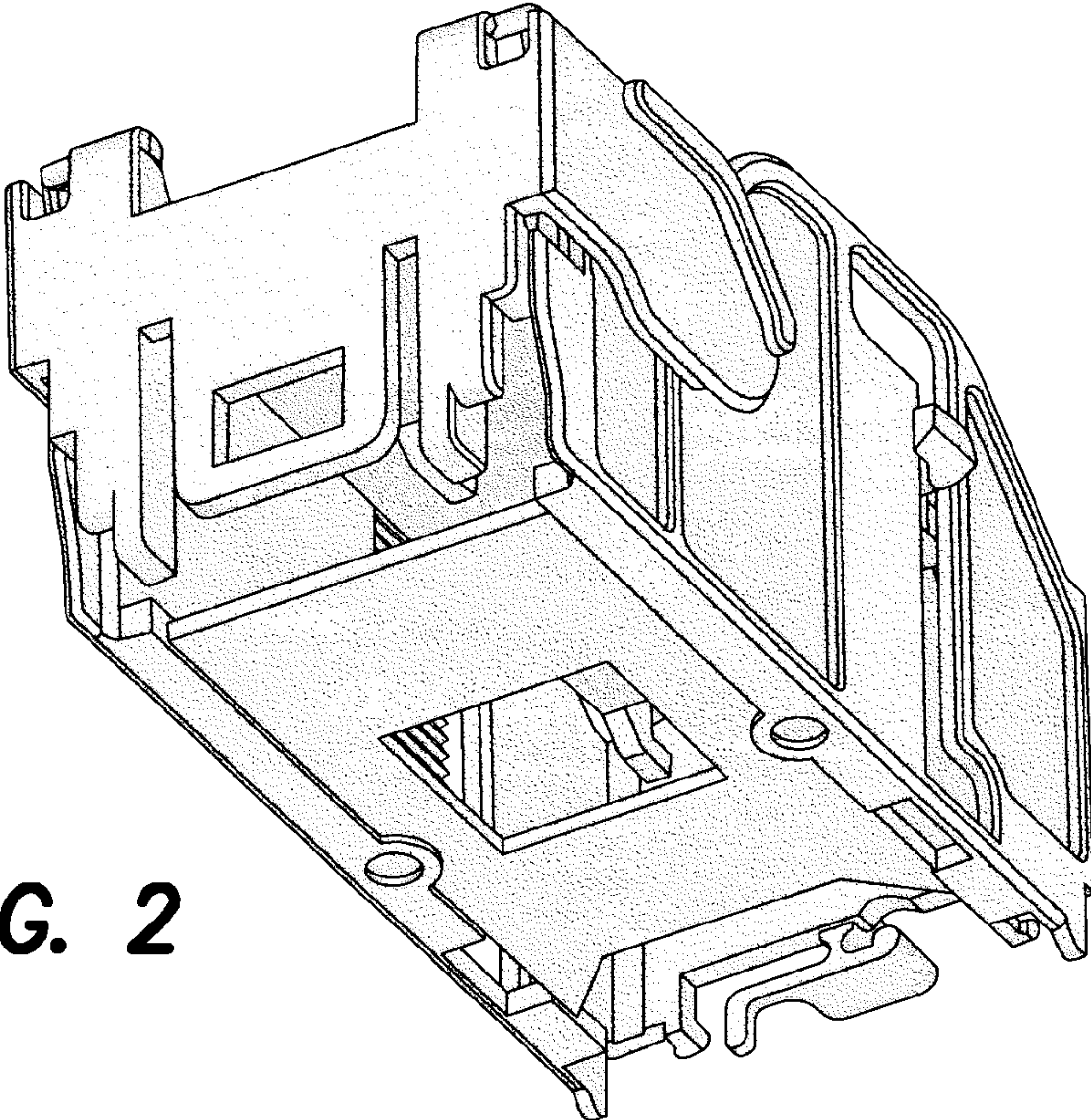


FIG. 2

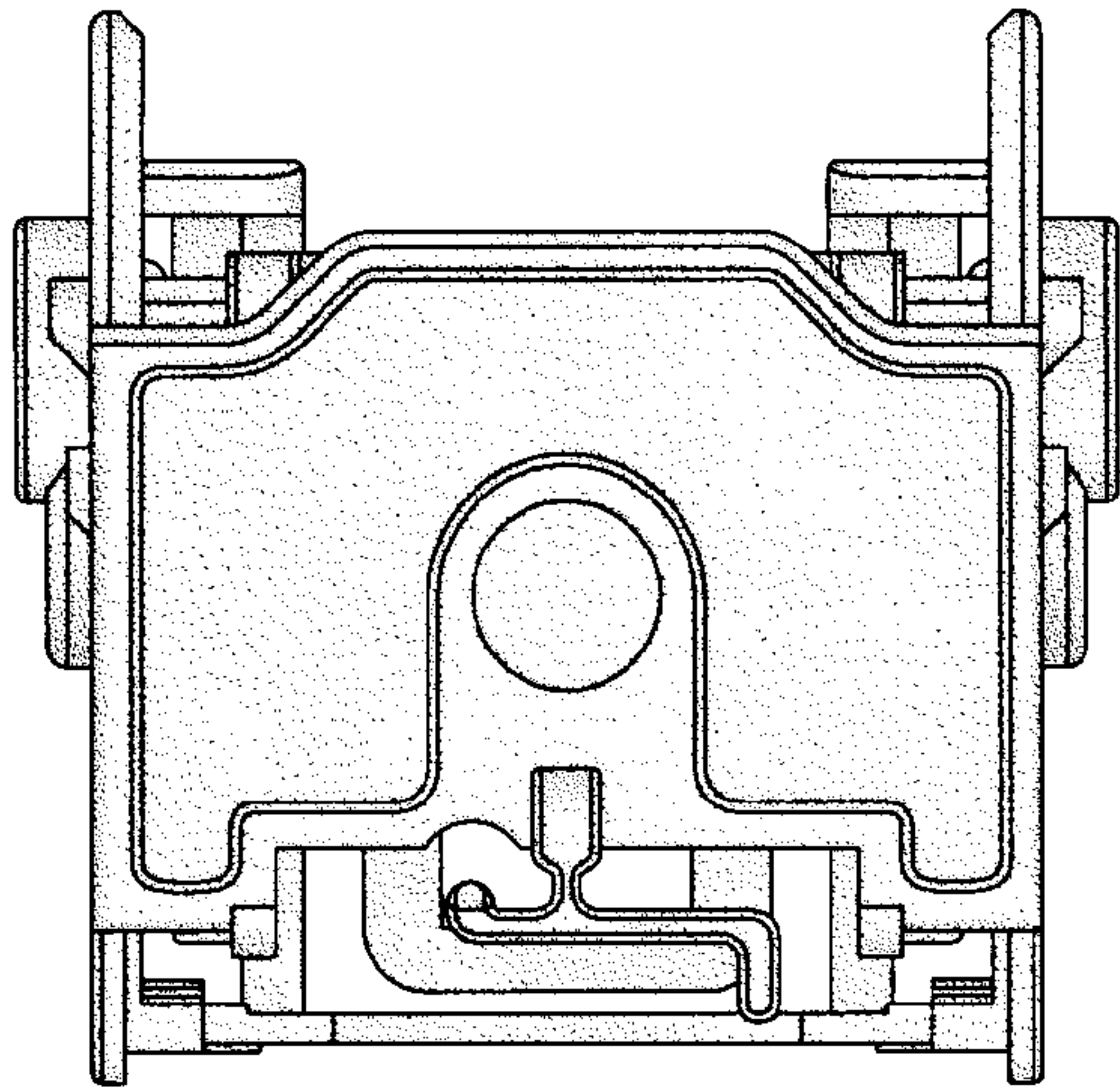


FIG. 3

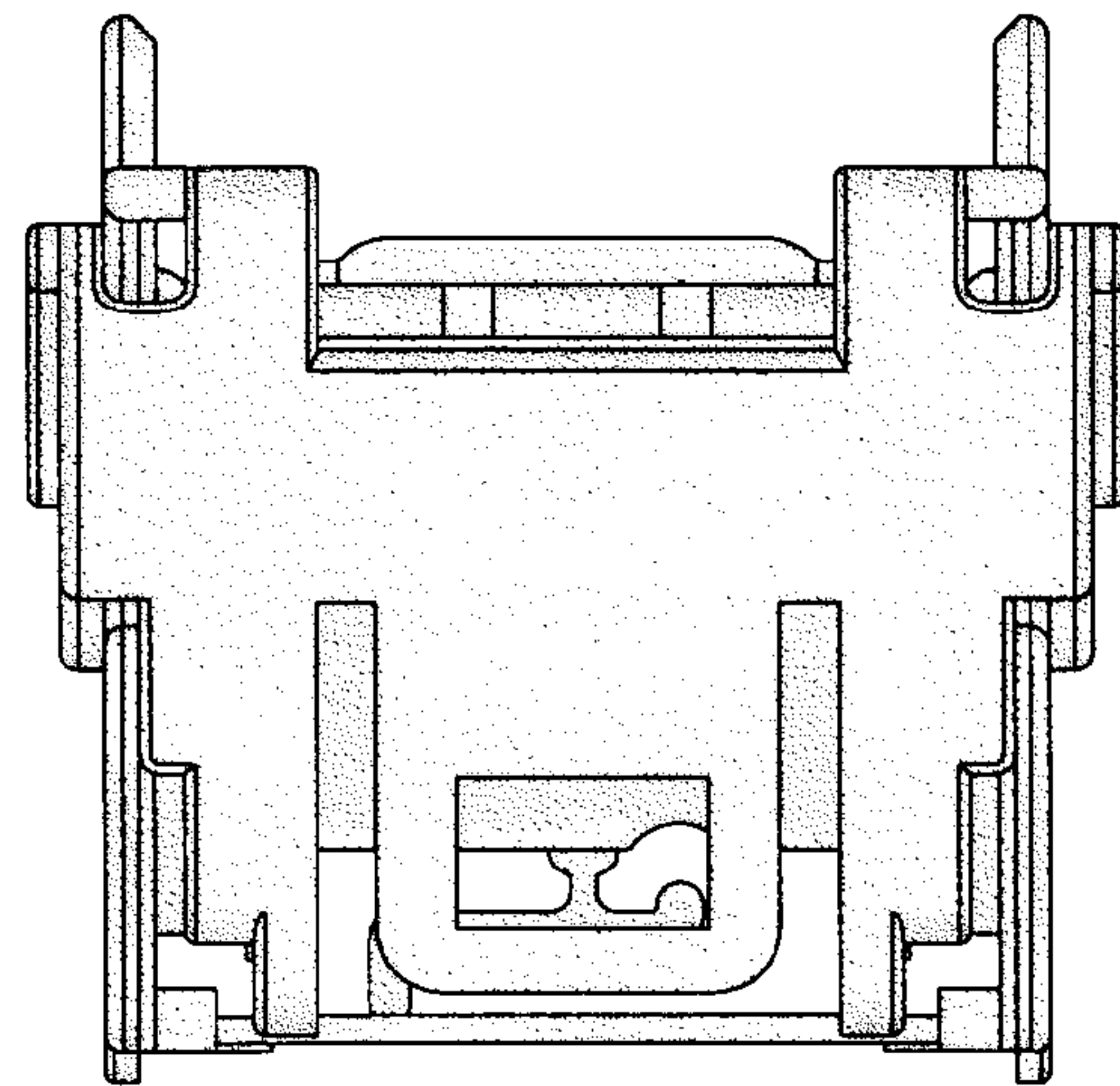


FIG. 4

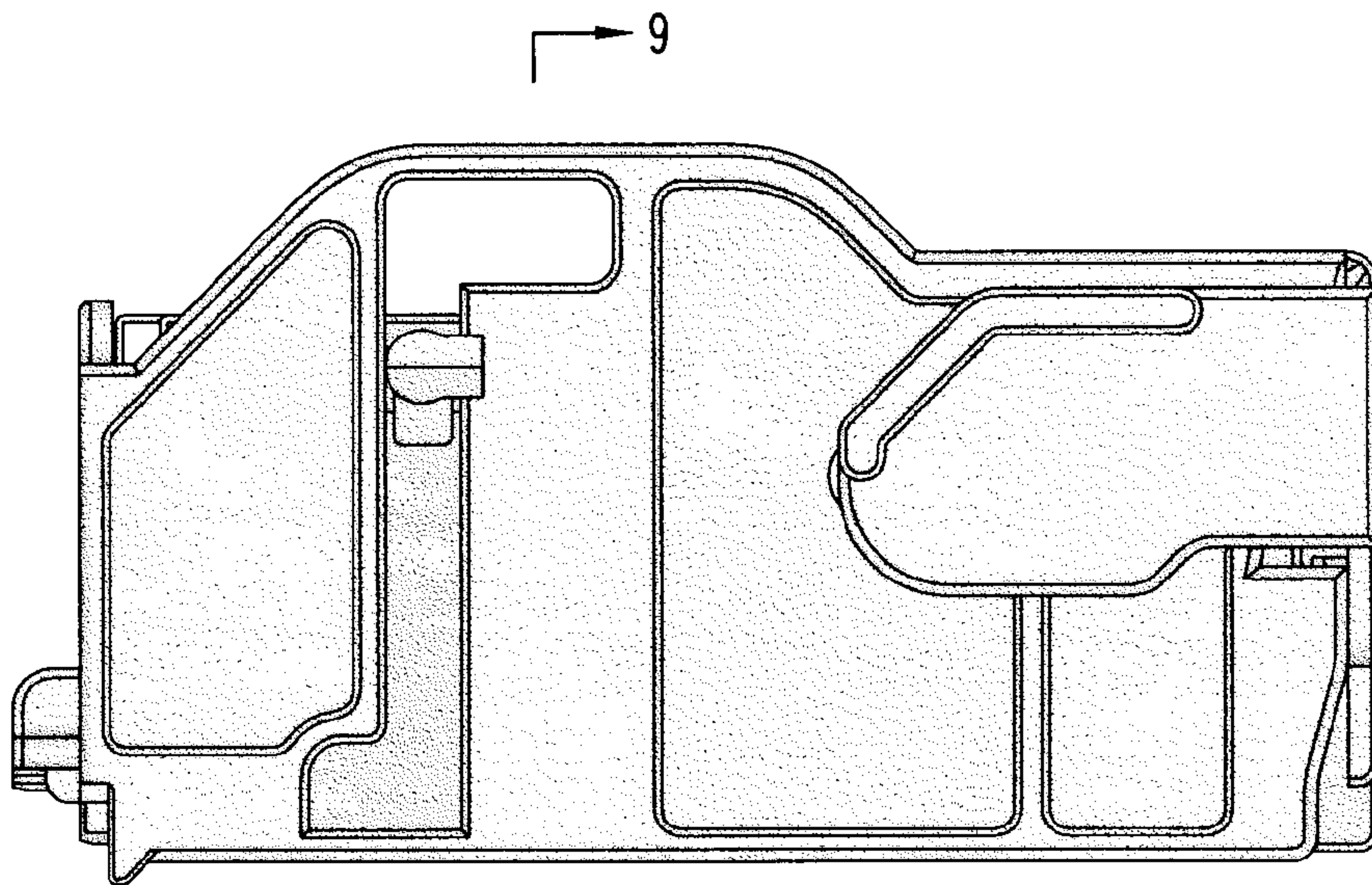


FIG. 5

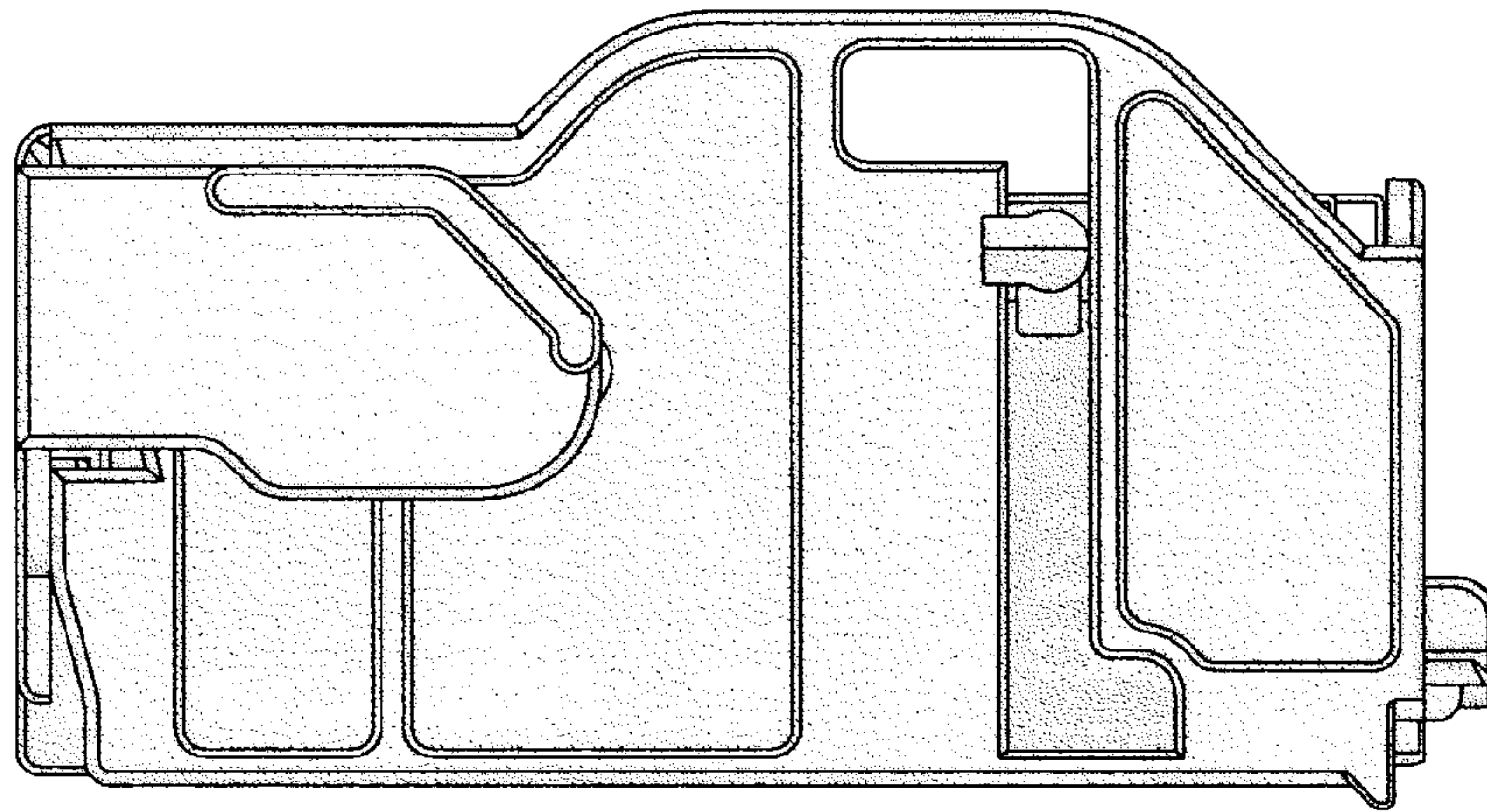


FIG. 6

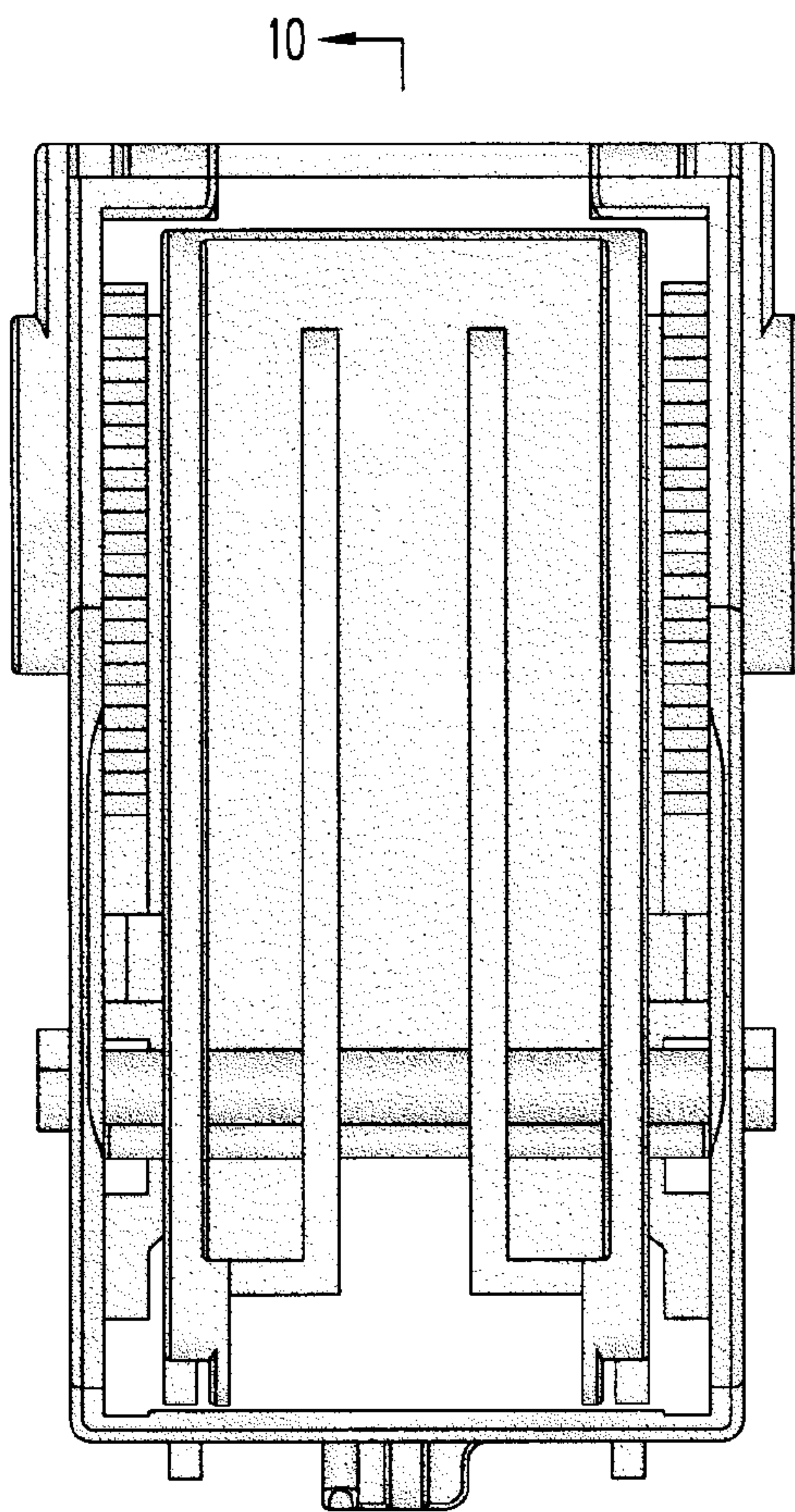


FIG. 7

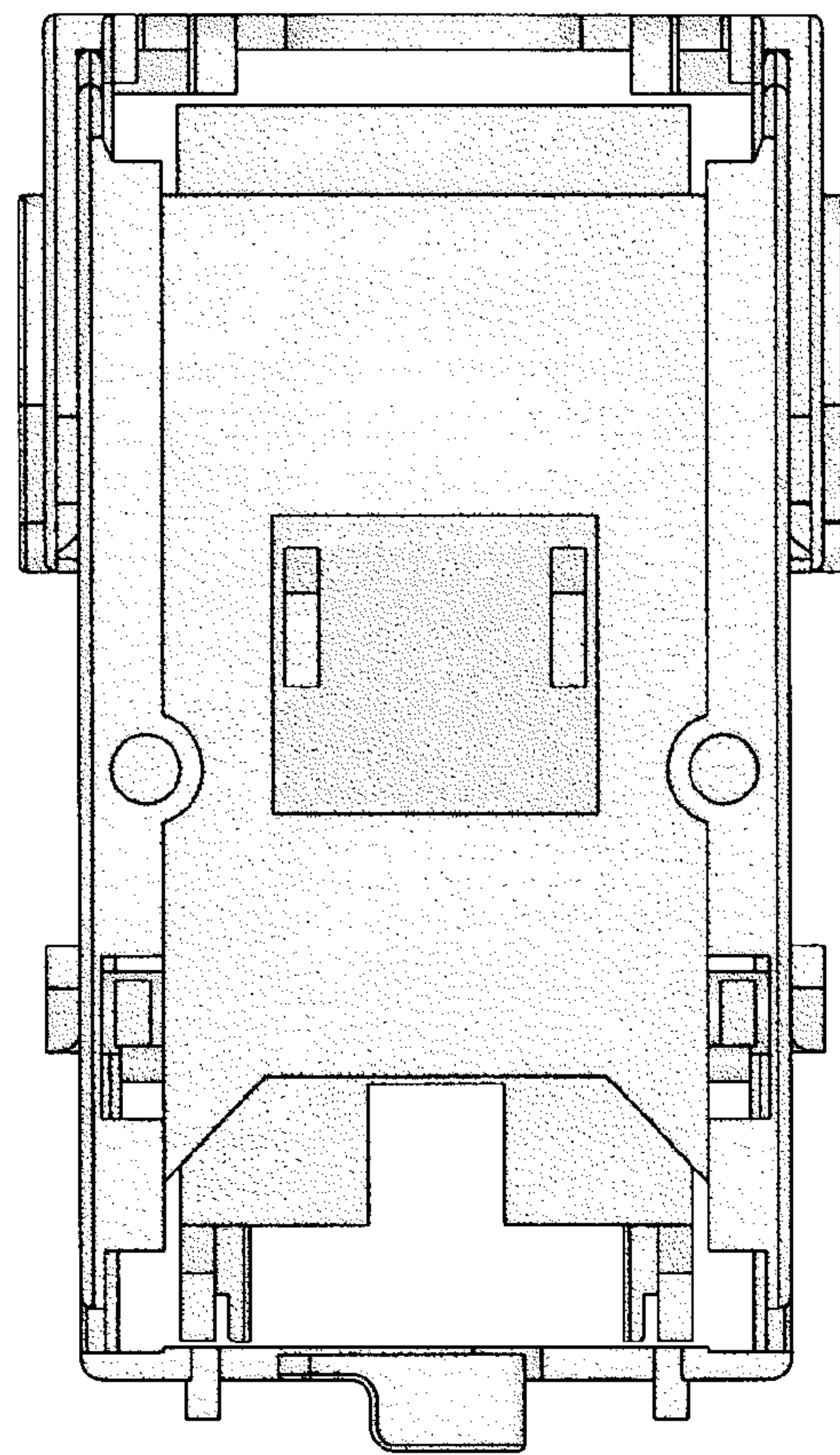


FIG. 8

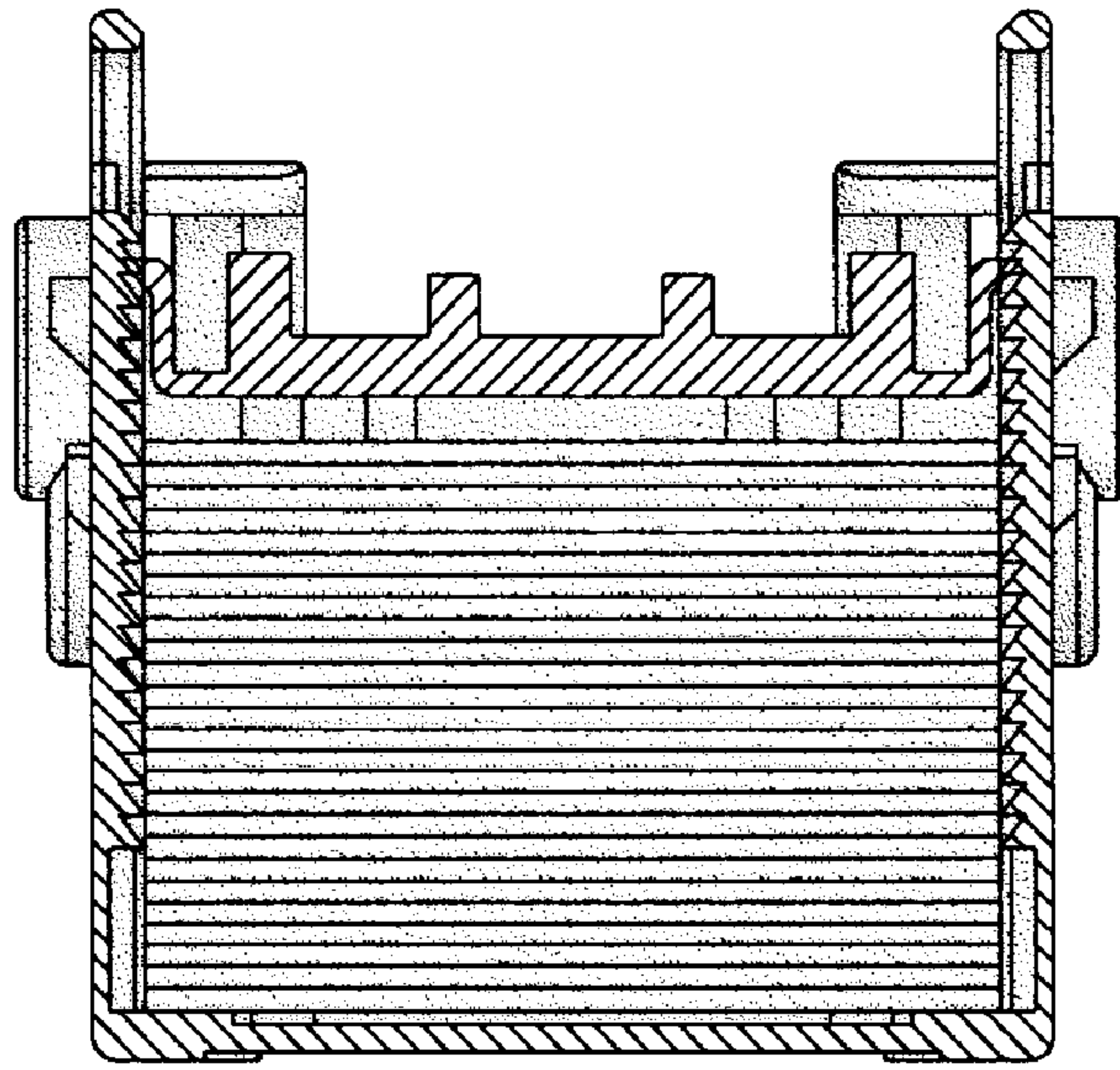


FIG. 9

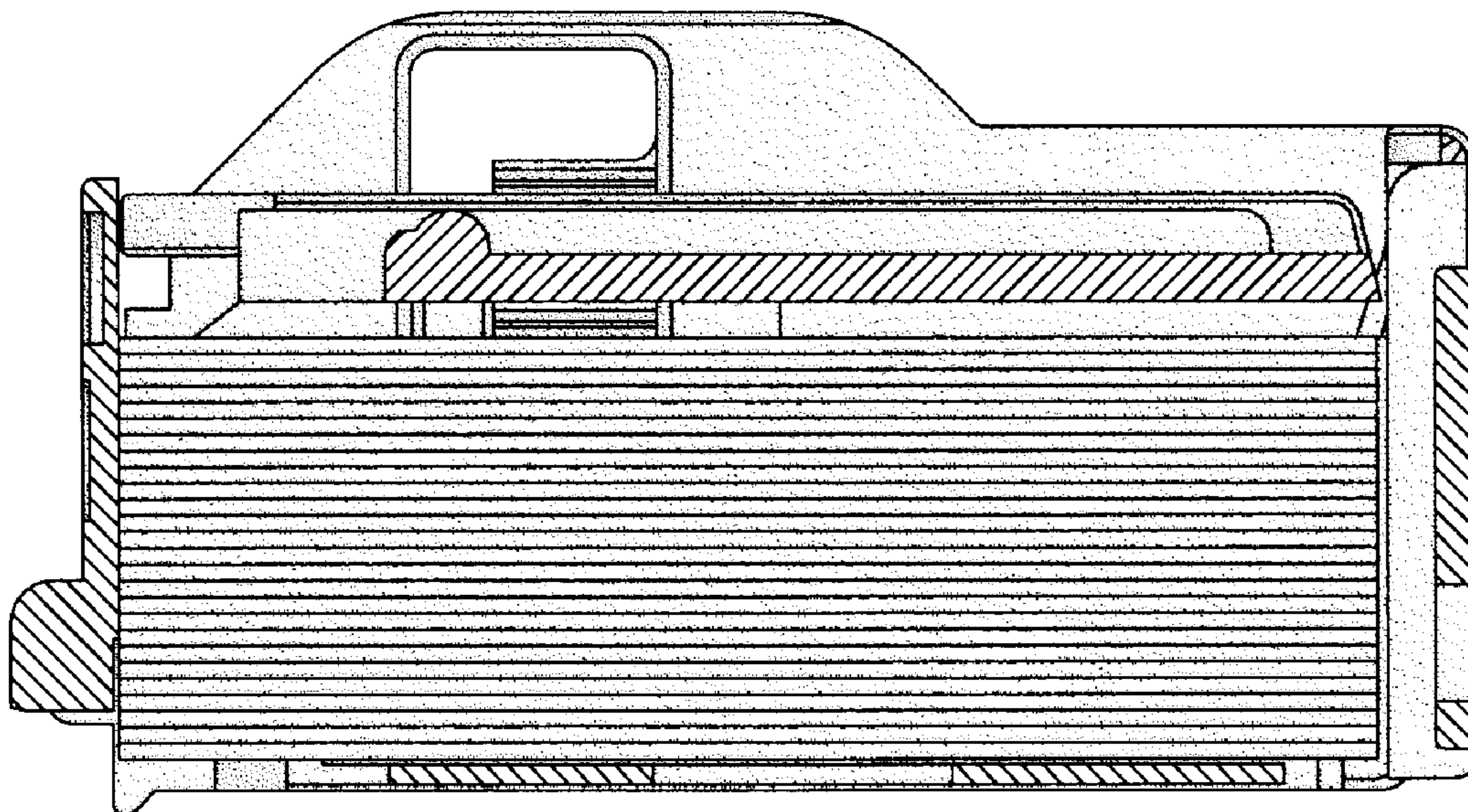


FIG. 10