



US00D512287S

(12) **United States Design Patent**
Li

(10) **Patent No.:** **US D512,287 S**

(45) **Date of Patent:** **** Dec. 6, 2005**

(54) **HEAD PORTION OF A RATCHET WRENCH**

(76) **Inventor:** **Yi Min Li**, No. 62, Renmei Rd., Dali City, Taiping City, Taichung County 401 (TW)

(**) **Term:** **14 Years**

(21) **Appl. No.:** **29/198,816**

(22) **Filed:** **Feb. 6, 2004**

(51) **LOC (8) Cl.** **08-05**

(52) **U.S. Cl.** **D8/25**

(58) **Field of Search** D8/21-29, 107;
81/60-63.2, 58.1, 177.4, 177.1-177.2, 177.6,
177.9, 121.1, 124.3

(56) **References Cited**

U.S. PATENT DOCUMENTS

5,178,047	A	*	1/1993	Arnold et al.	81/63.2
5,913,954	A	*	6/1999	Arnold et al.	81/62
5,957,009	A	*	9/1999	McCann	81/63
D471,411	S	*	3/2003	Hu	D8/25

D472,116	S	*	3/2003	Peters	D8/25
6,575,060	B1	*	6/2003	Tseng et al.	81/61
2004/0025643	A1	*	2/2004	Hsien	81/60

* cited by examiner

Primary Examiner—Raphael Barkai

(74) *Attorney, Agent, or Firm*—Rosenberg, Klein & Lee

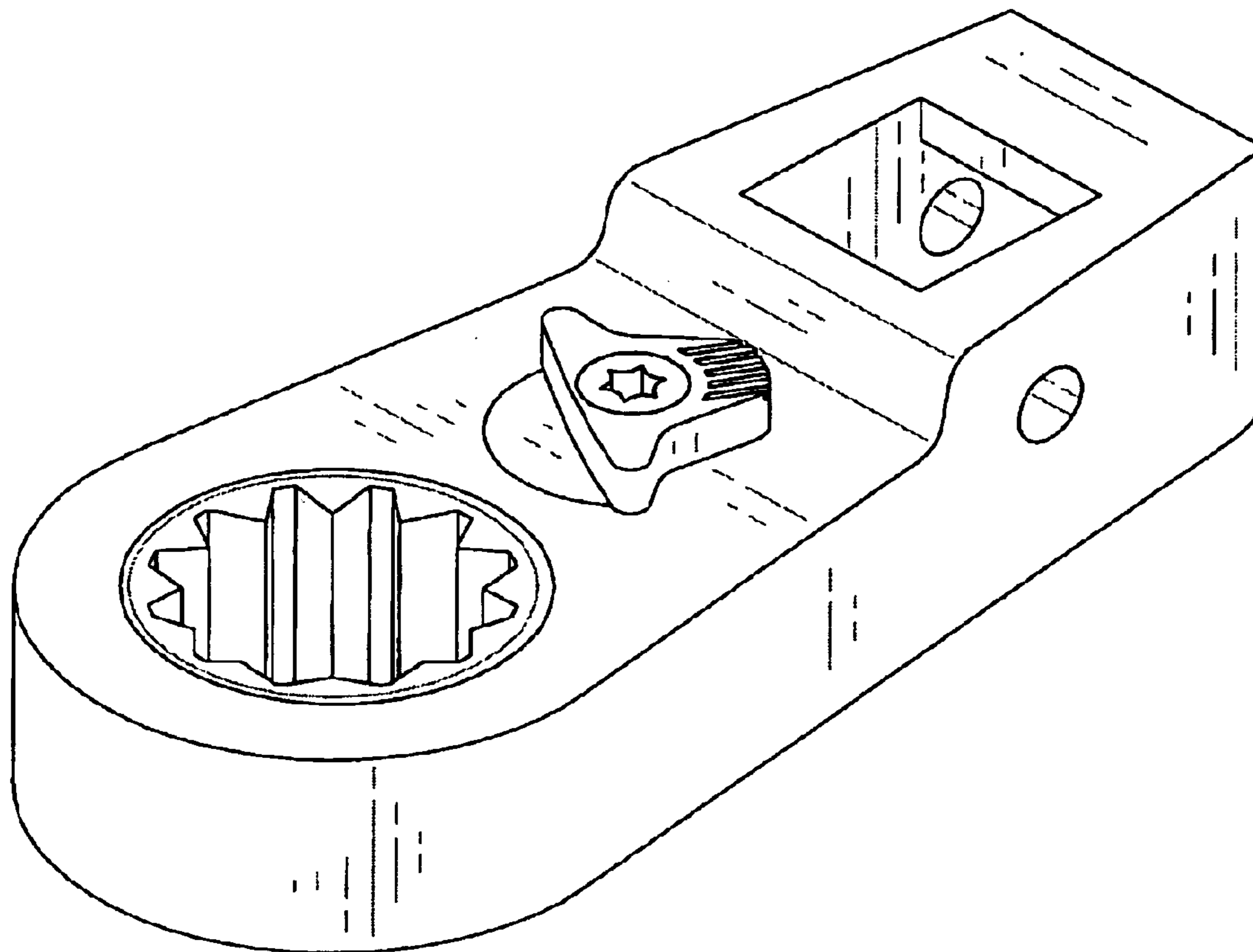
(57) **CLAIM**

The ornamental design for a head portion of a ratchet wrench, as shown and described.

DESCRIPTION

FIG. 1 is a front-left-top perspective view of a head portion of a ratchet wrench, showing my new design; FIG. 2 is a front elevational view thereof; FIG. 3 is a rear elevational view thereof; FIG. 4 is a left side elevational view thereof; FIG. 5 is a right side elevational view thereof; FIG. 6 is a top plan view thereof; and, FIG. 7 is a bottom plan view thereof.

1 Claim, 5 Drawing Sheets



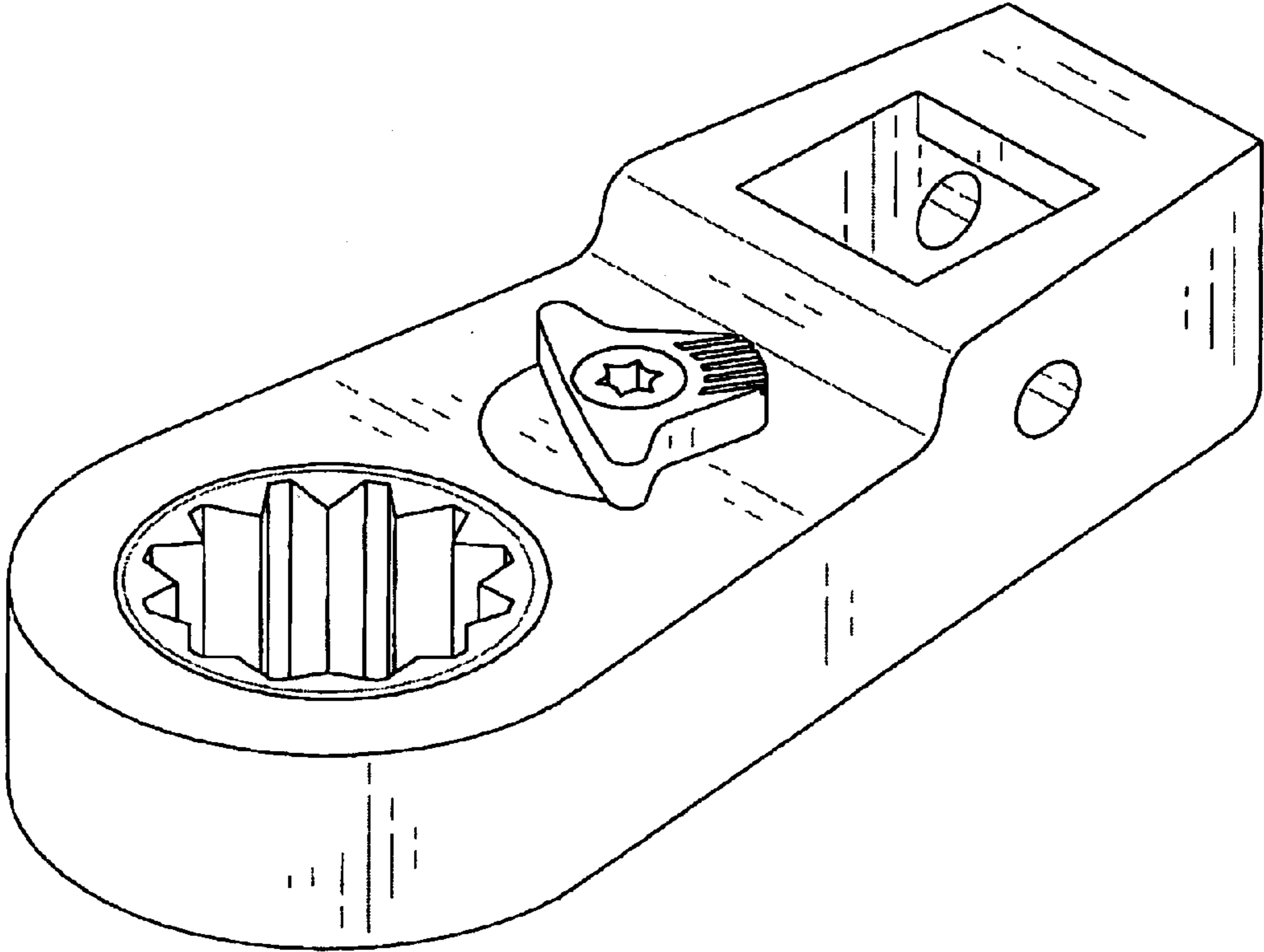


FIG. 1

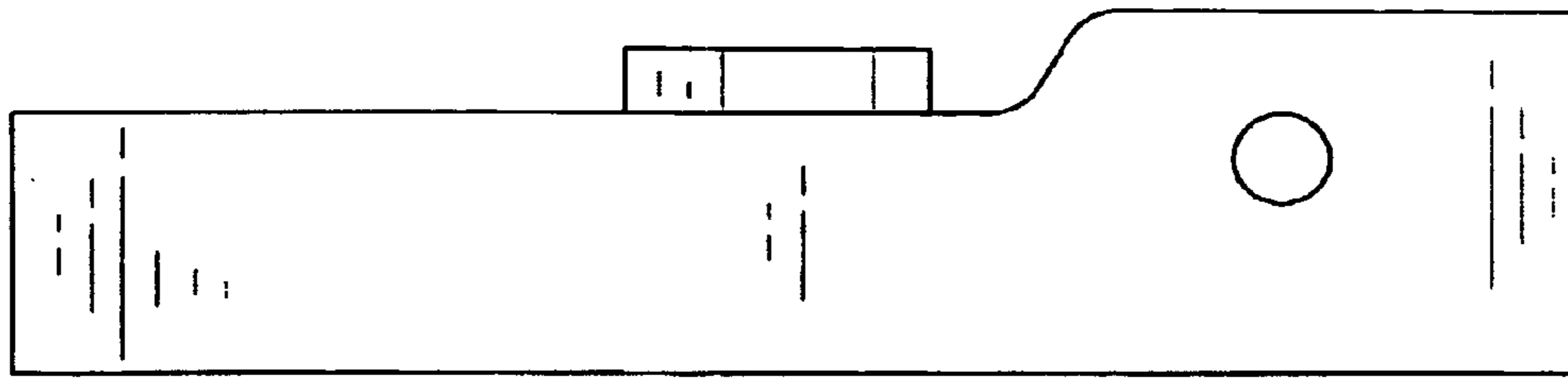


FIG. 2

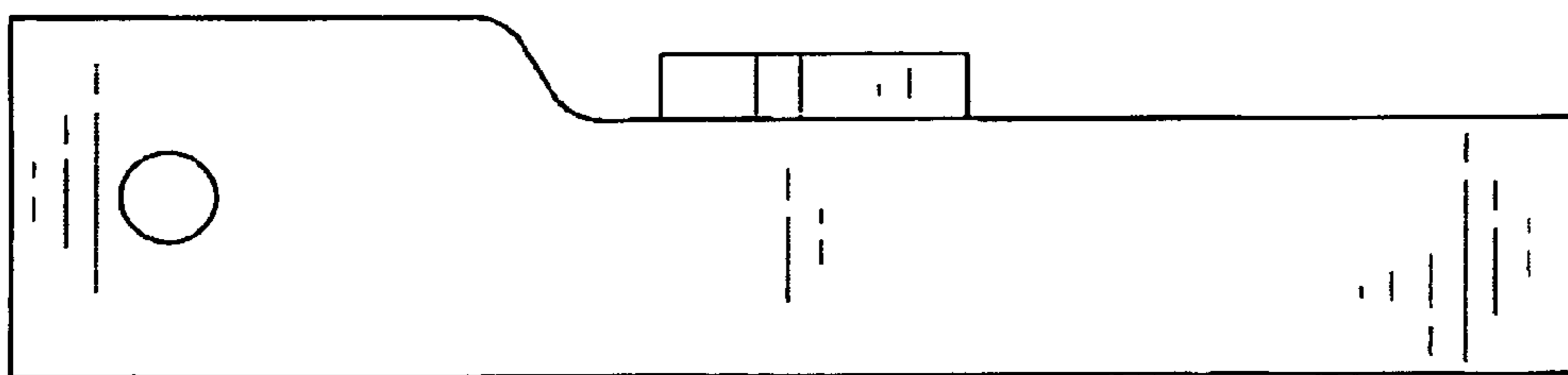


FIG. 3

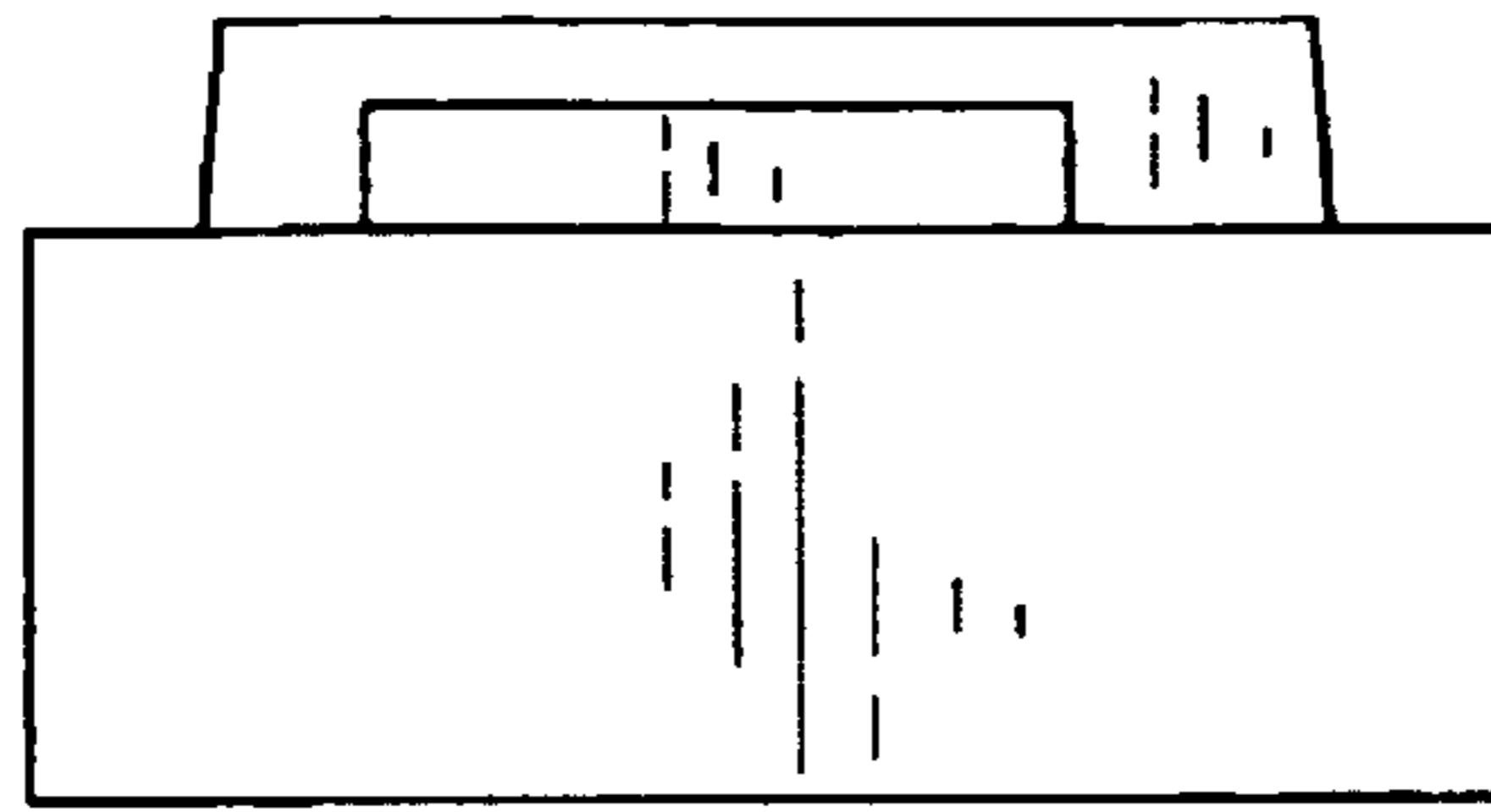


FIG. 4

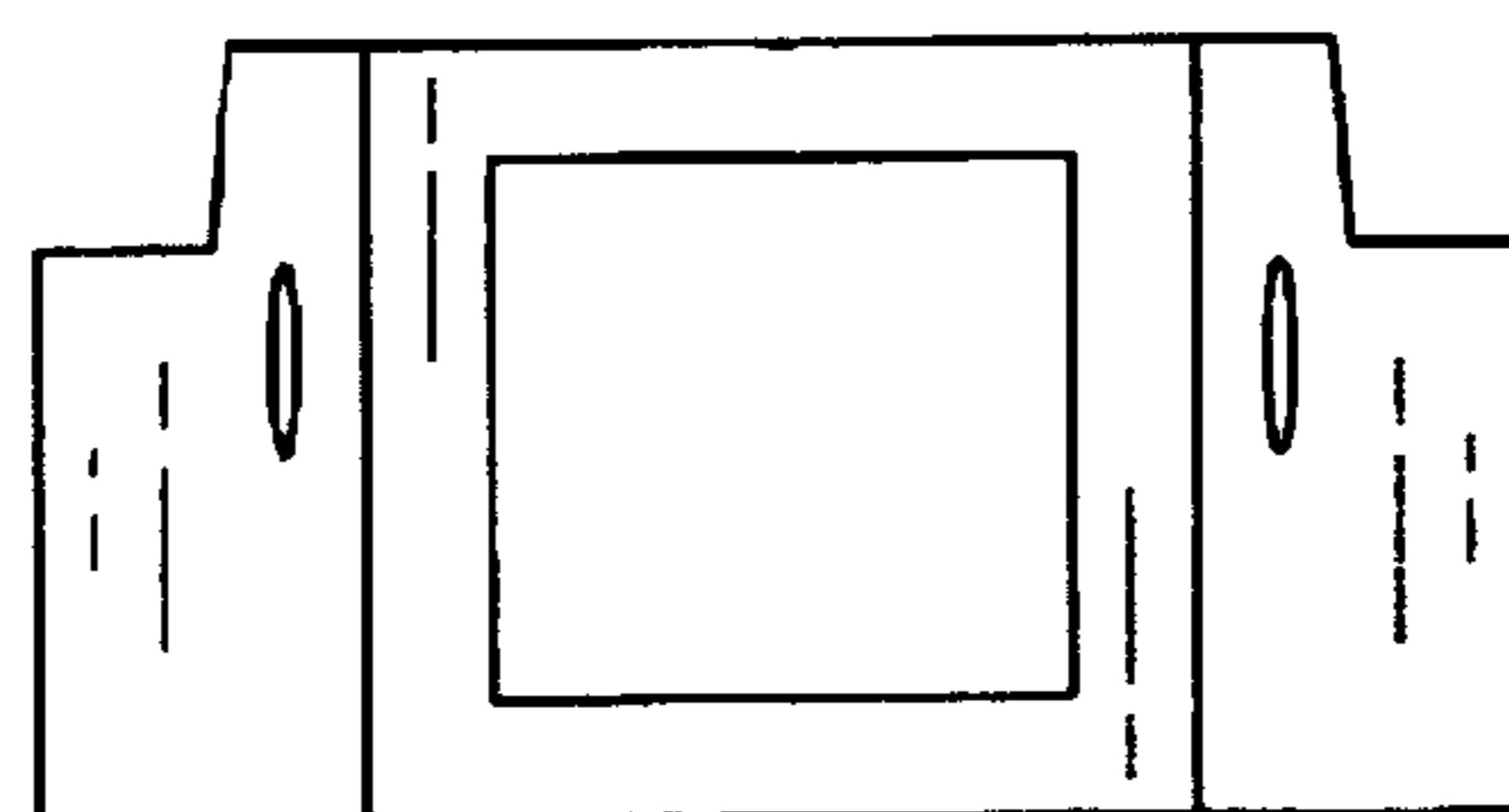


FIG. 5

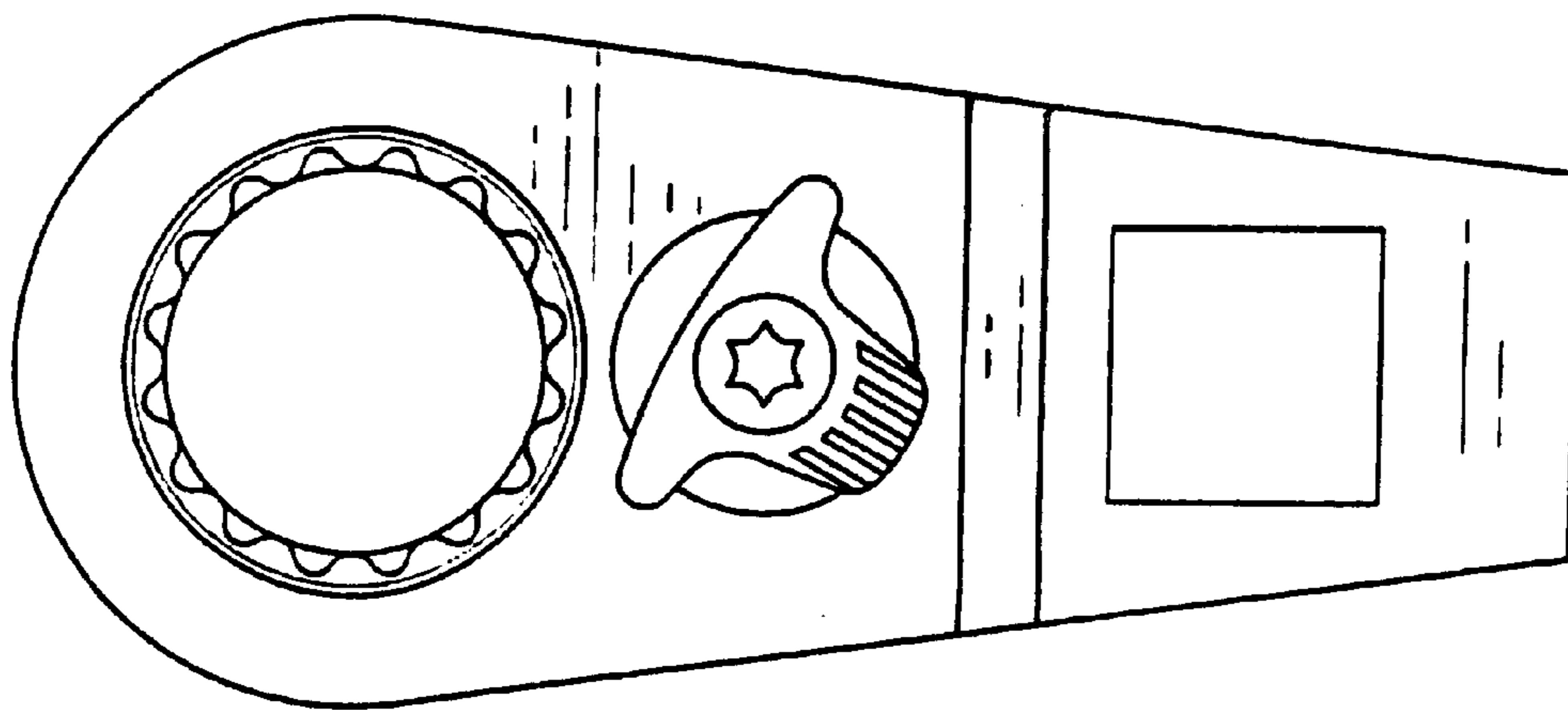


FIG. 6

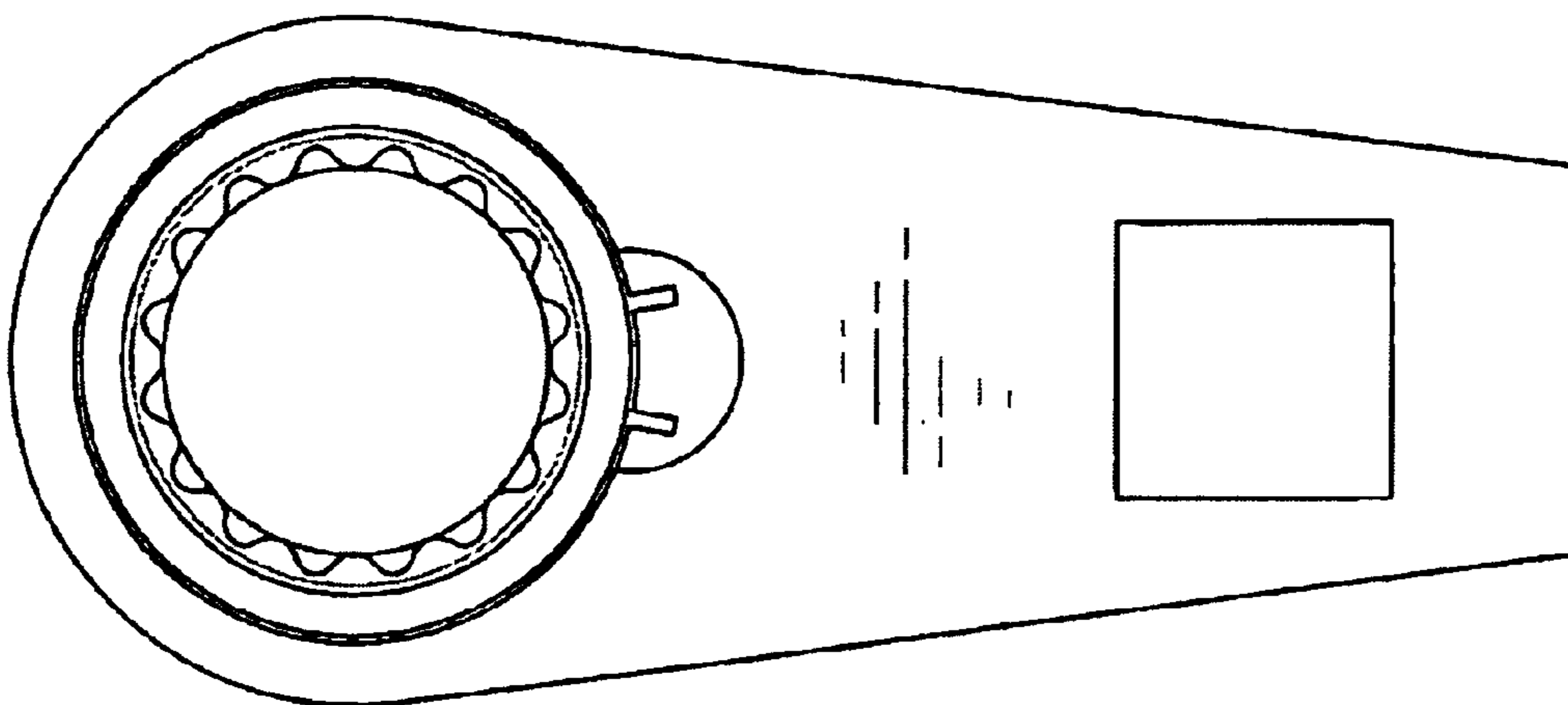


FIG. 7