

US00D512284S

(12) **United States Design Patent**  
**Massey**

(10) **Patent No.: US D512,284 S**

(45) **Date of Patent: \*\* Dec. 6, 2005**

(54) **SOIL SIFTER**

(76) **Inventor: Joanne L. Massey, 855 Ricky Dr.,  
Campbell, CA (US) 95008**

(\*\*) **Term: 14 Years**

(21) **Appl. No.: 29/214,537**

(22) **Filed: Oct. 4, 2004**

(51) **LOC (8) Cl. .... 08-01**

(52) **U.S. Cl. .... D8/1**

(58) **Field of Search ..... D8/1; D7/667;  
209/13, 419, 374, 376**

(56) **References Cited**

**U.S. PATENT DOCUMENTS**

|             |   |         |             |       |         |
|-------------|---|---------|-------------|-------|---------|
| 842,032 A   | * | 1/1907  | Smith       | ..... | 209/419 |
| 902,954 A   |   | 11/1908 | Felty       |       |         |
| 1,554,525 A | * | 9/1925  | Ricci       | ..... | 209/419 |
| 1,646,787 A | * | 10/1927 | Elmenthaler | ..... | 209/419 |
| 1,820,944 A |   | 9/1931  | Marx        |       |         |
| 3,188,668 A |   | 6/1965  | Buckelew    |       |         |

|             |         |           |
|-------------|---------|-----------|
| 4,350,584 A | 9/1982  | Donington |
| 4,988,005 A | 1/1991  | Graham    |
| D373,291 S  | 9/1996  | Auker     |
| 5,701,844 A | 12/1997 | Murphy    |

\* cited by examiner

*Primary Examiner*—Holly Baynham

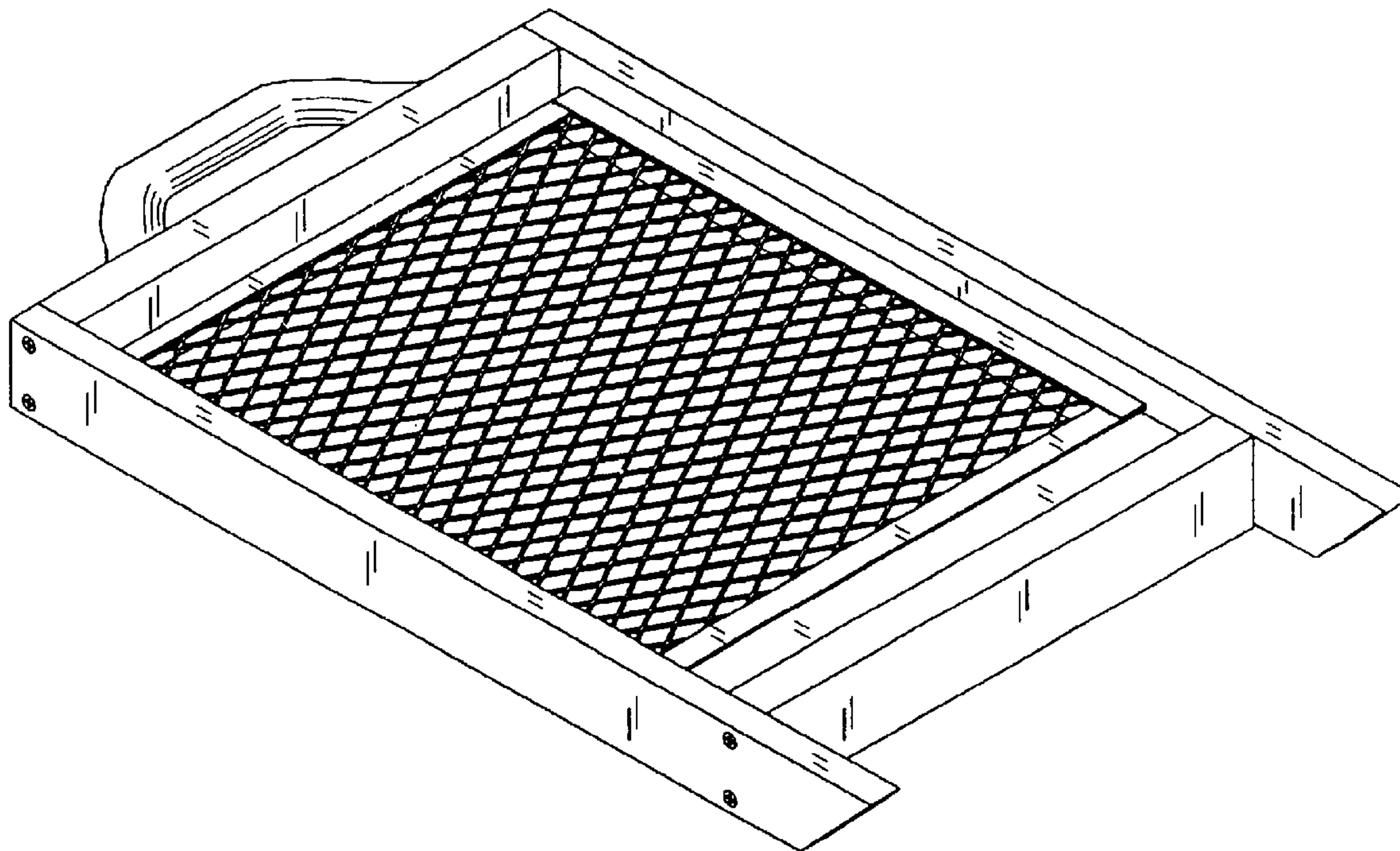
(57) **CLAIM**

The ornamental design for a soil sifter, as shown and described.

**DESCRIPTION**

Slanted bottom ends on the legs.  
 FIG. 1 is a front perspective view of a soil sifter showing my new design.  
 FIG. 2 is a front view thereof.  
 FIG. 3 is a rear view thereof.  
 FIG. 4 is a right side view thereof.  
 FIG. 5 is a left side view thereof.  
 FIG. 6 is a top view thereof; and,  
 FIG. 7 is a bottom view thereof.

**1 Claim, 4 Drawing Sheets**



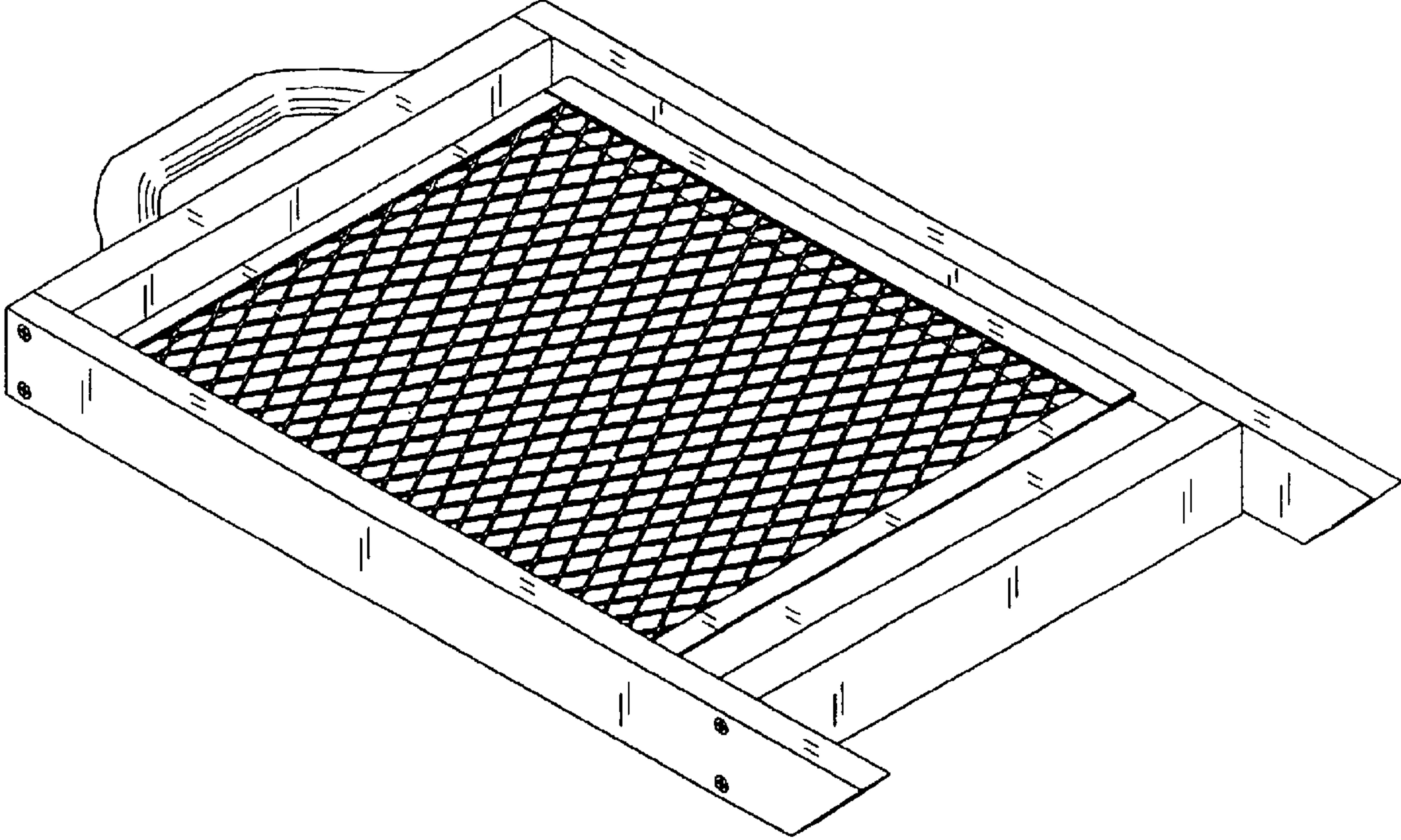


Fig. 1

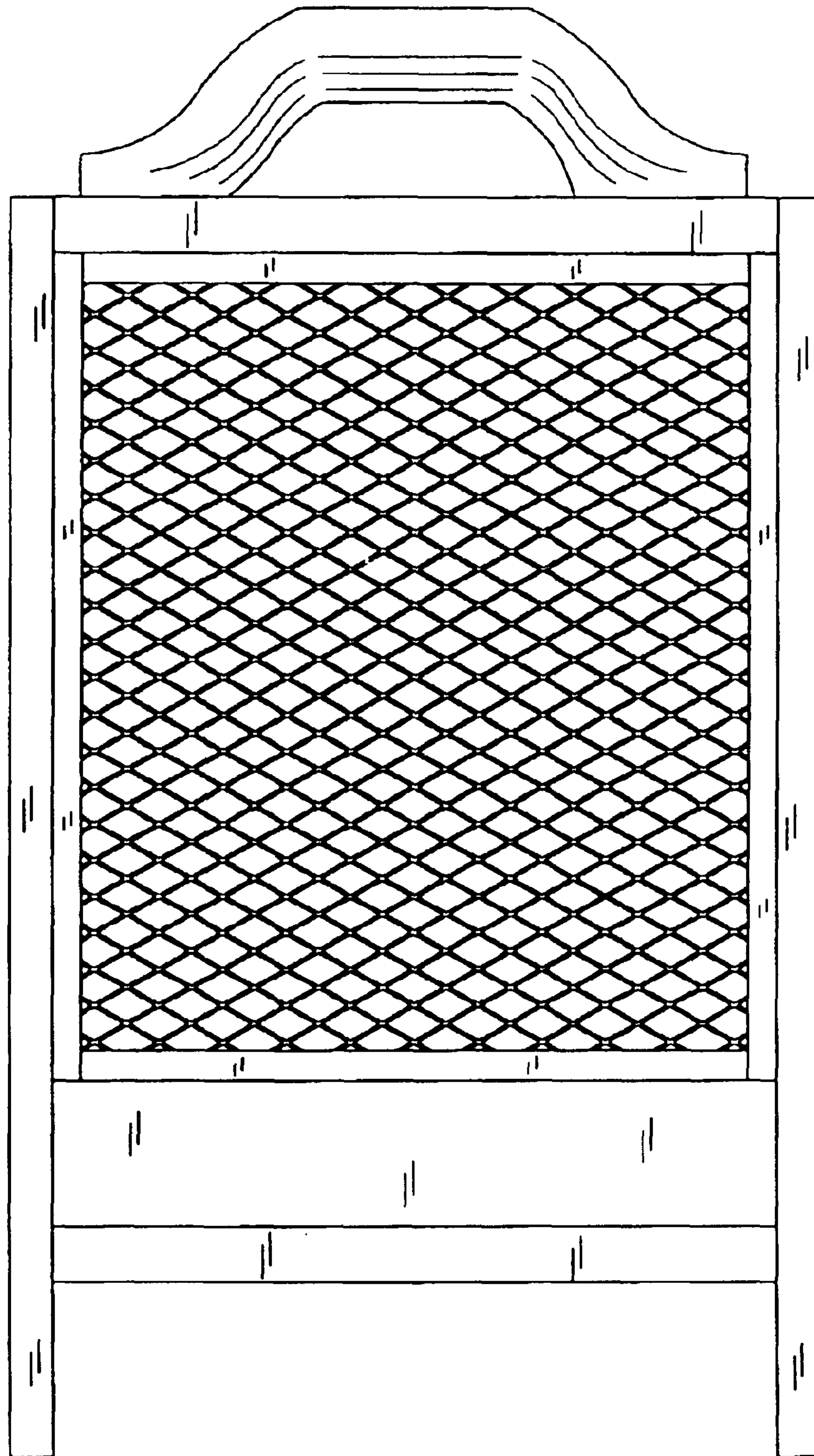


Fig. 2



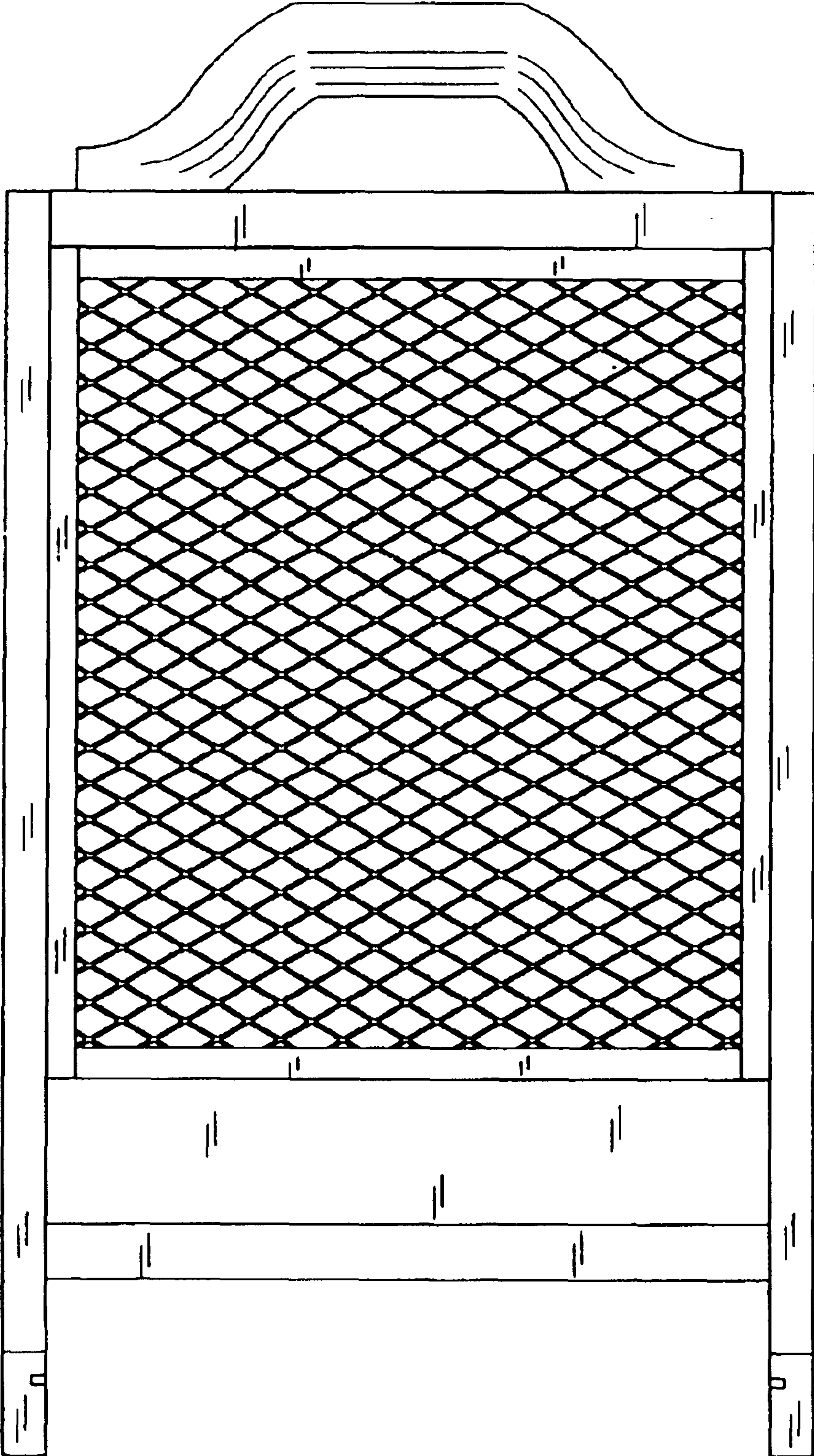


Fig. 3

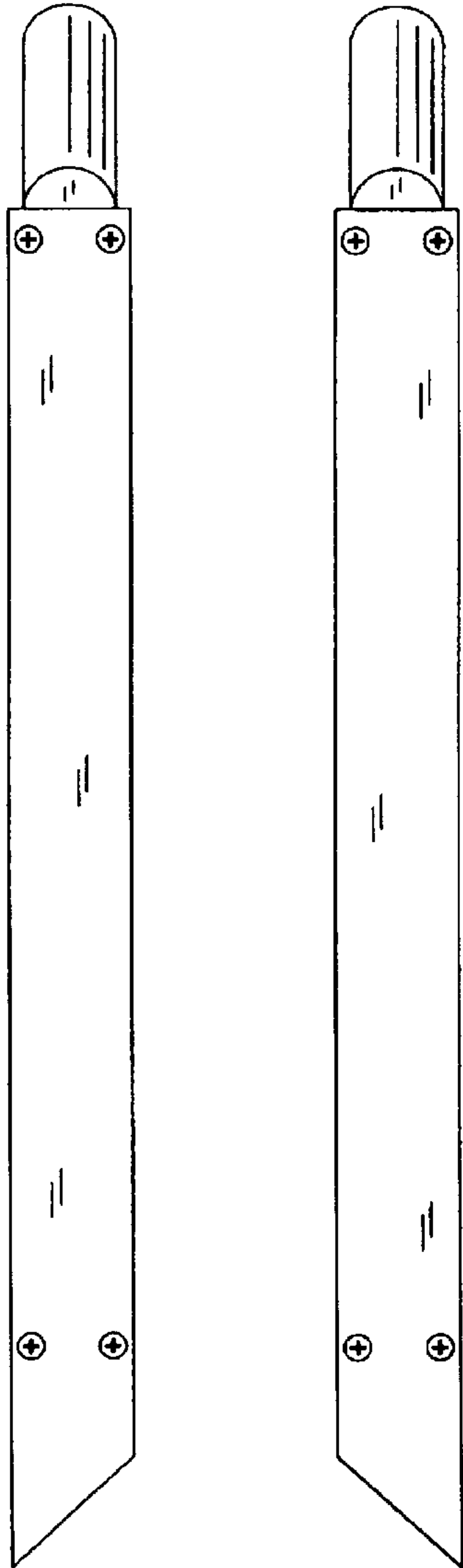


Fig. 4

Fig. 5

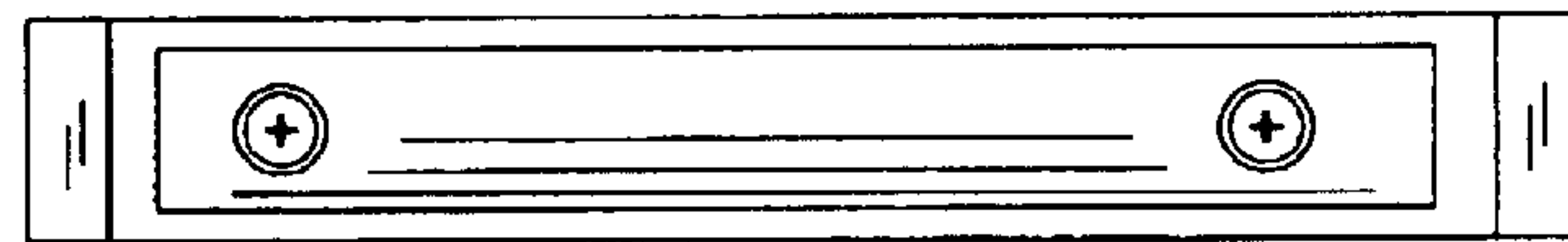


Fig. 6

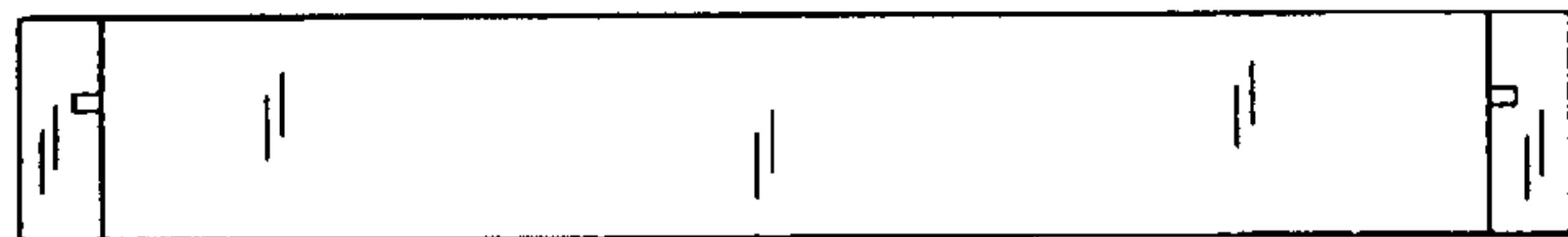


Fig. 7