



US00D512283S

(12) **United States Design Patent**
Pratt

(10) **Patent No.:** **US D512,283 S**
(45) **Date of Patent:** **** Dec. 6, 2005**

(54) **MODULAR WINE RACK**

D278,110 S * 3/1985 Boland, II D7/708
D414,991 S * 10/1999 Brown D7/701

(75) Inventor: **Michael Douglas Pratt, Welland (AU)**

* cited by examiner

(73) Assignee: **Parmac Tooling Pty Ltd, Welland (AU)**

Primary Examiner—Terry A. Wallace
(74) *Attorney, Agent, or Firm*—Inskeep IP Group, Inc.

(**) Term: **14 Years**

(21) Appl. No.: **29/201,622**

(57) **CLAIM**

(22) Filed: **Mar. 17, 2004**

The ornamental design for a modular wine rack, substantially as shown and described.

(30) **Foreign Application Priority Data**

Sep. 18, 2003 (AU) 153957

DESCRIPTION

(51) **LOC (8) Cl.** **06-04**

FIG. 1 is a side view of a modular wine rack showing my new design;

(52) **U.S. Cl.** **D7/708; D6/468**

FIG. 2 is a top plan view thereof;

(58) **Field of Search** D7/701, 707, 708,
D7/600.1–600.4; D6/465, 466, 468; 211/13.1,
71.01, 74, 181.1, 182

FIG. 3 is a front view thereof; and,

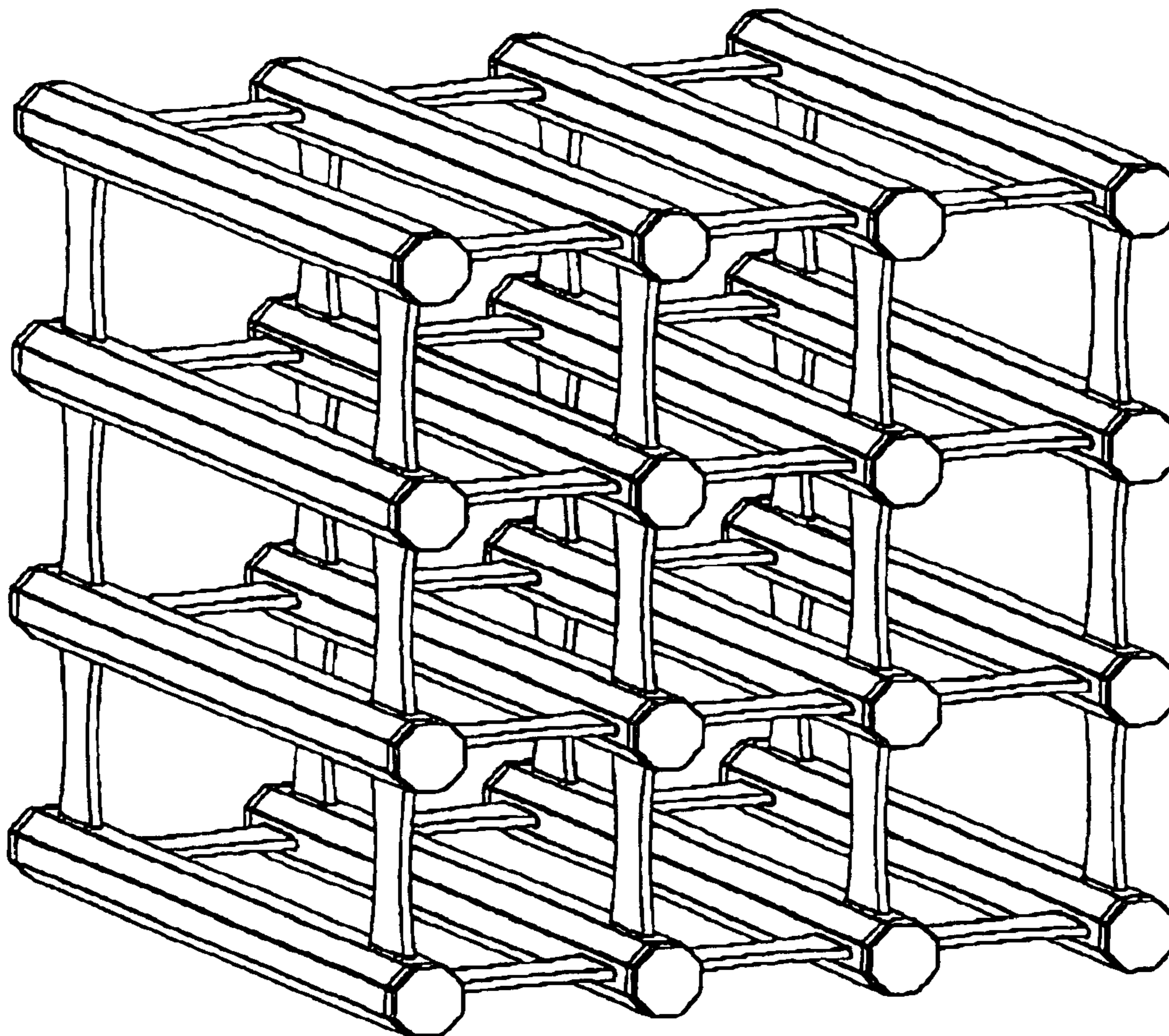
FIG. 4 is a perspective view.

(56) **References Cited**

U.S. PATENT DOCUMENTS

D200,488 S * 3/1965 Watson D7/708

1 Claim, 2 Drawing Sheets



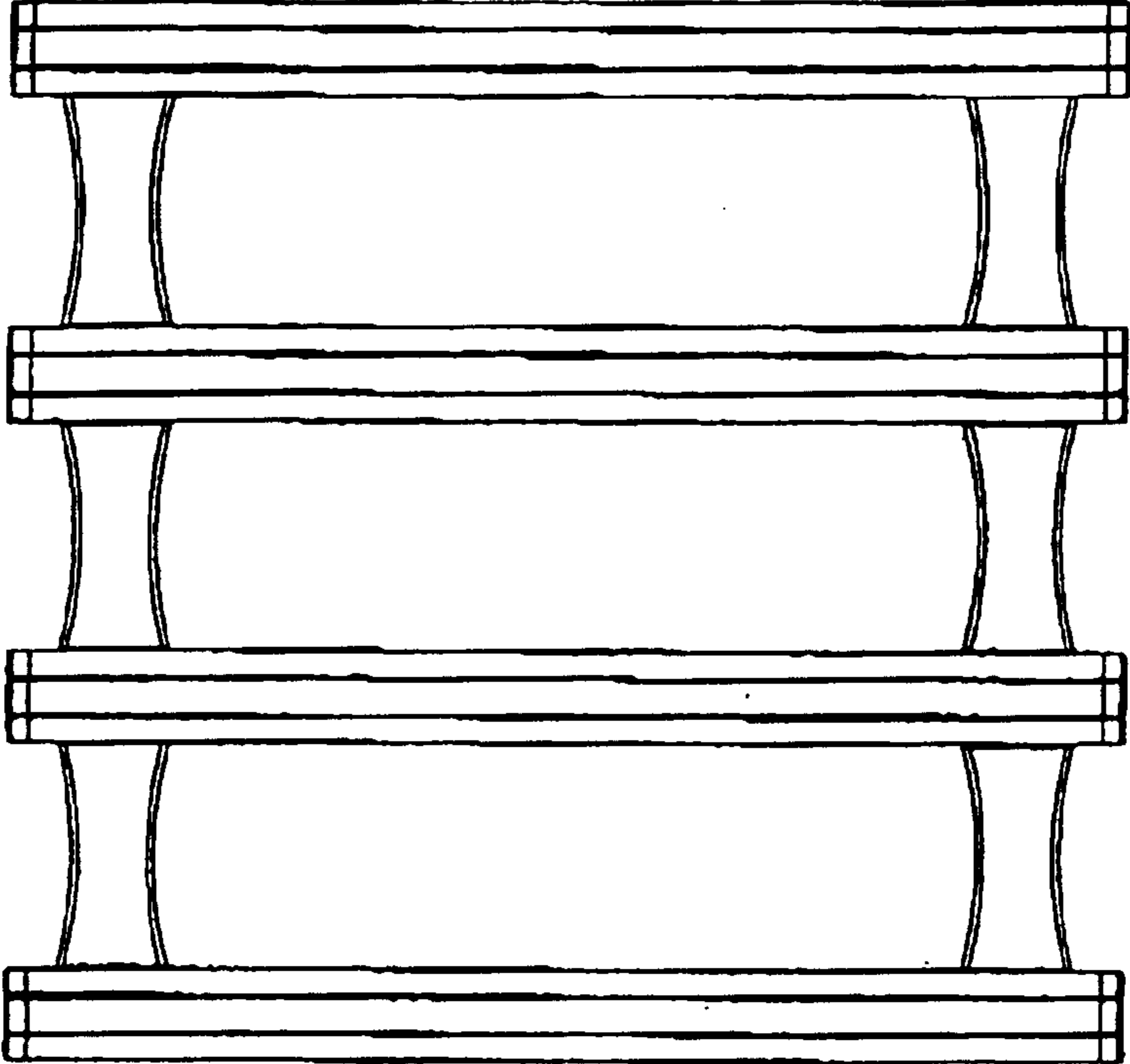


FIG 1

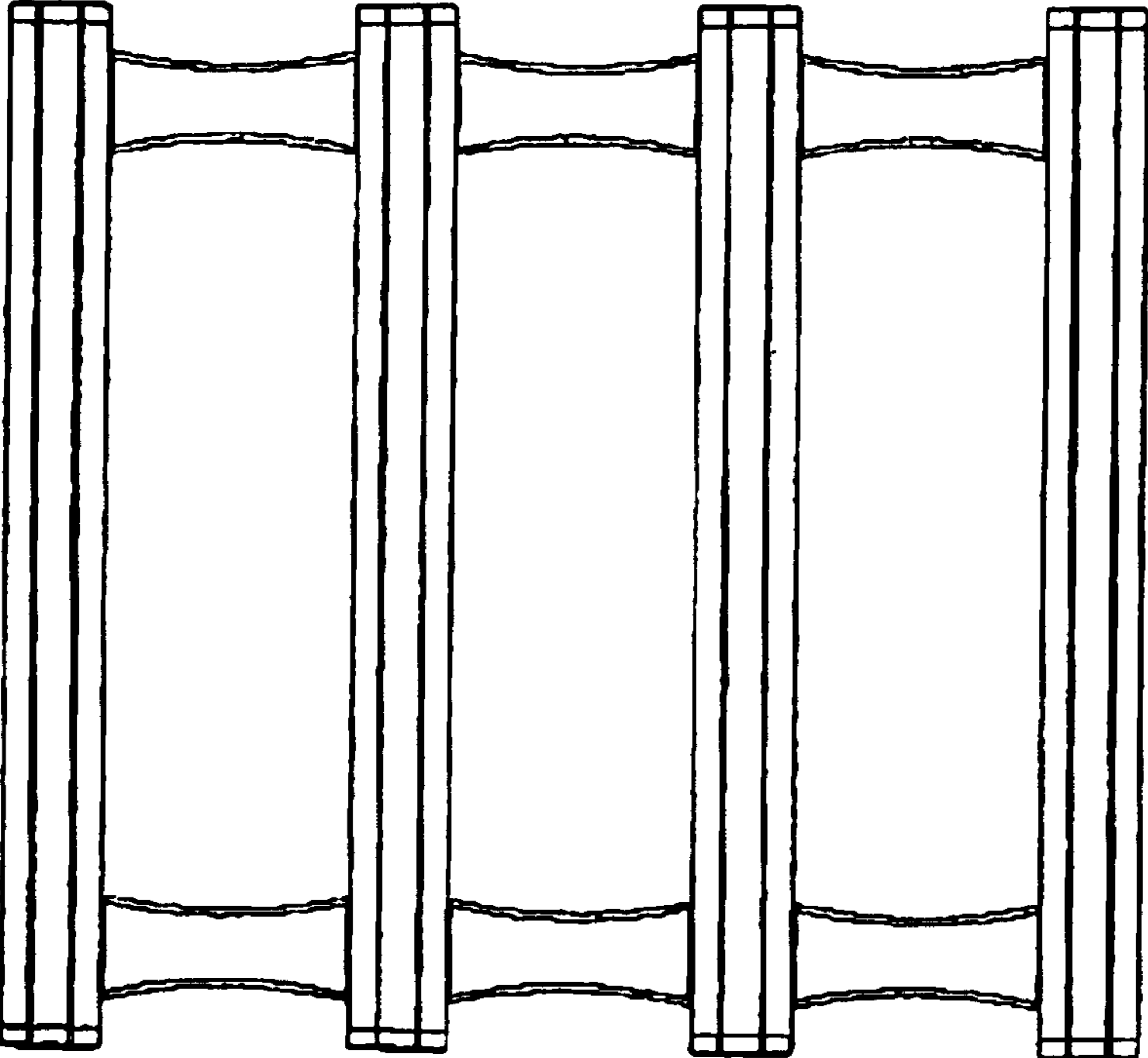


FIG 2

