



US00D512282S

(12) **United States Design Patent**
Martin

(10) **Patent No.:** **US D512,282 S**

(45) **Date of Patent:** **** Dec. 6, 2005**

(54) **RACK**

(75) **Inventor:** **Gary D. Martin**, Lewisville, TX (US)

(73) **Assignee:** **Igloo's Frozen Drinks**, Ft. Worth, TX (US)

(**) **Term:** **14 Years**

(21) **Appl. No.:** **29/190,613**

(22) **Filed:** **Sep. 24, 2003**

(51) **LOC (8) Cl.** **06-04**

(52) **U.S. Cl.** **D7/707; D7/600.4**

(58) **Field of Search** D7/701, 705-708, D7/600-600.4; D6/449, 457, 466, 512, 513, 534, 552; 211/60.1, 70.1, 70, 70.2, 70.5, 70.7, 70.8, 74, 76-78, 163-167

(56) **References Cited**

U.S. PATENT DOCUMENTS

2,534,680 A * 12/1950 Poirier et al. 211/76
2,694,495 A * 11/1954 Faures 211/74

4,380,296 A * 4/1983 Murray et al. 211/70
5,074,421 A * 12/1991 Coulter 211/78
D352,870 S * 11/1994 Eriksen D7/708
D407,279 S * 3/1999 Tisdale D7/600.2
D490,273 S * 5/2004 Hockey D7/600.2

* cited by examiner

Primary Examiner—Terry A. Wallace

(74) *Attorney, Agent, or Firm*—Michael A. O'Neil

(57) **CLAIM**

The ornamental design for a rack, as shown and described.

DESCRIPTION

FIG. 1 is a top perspective view of a rack which embodies the present design;
FIG. 2 is a front view of the rack;
FIG. 3 is a right side view of the rack, the left side view being a mirror image thereof;
FIG. 4 is a back view of the rack;
FIG. 5 is a top view of the rack; and,
FIG. 6 is a bottom view of the rack.

1 Claim, 3 Drawing Sheets

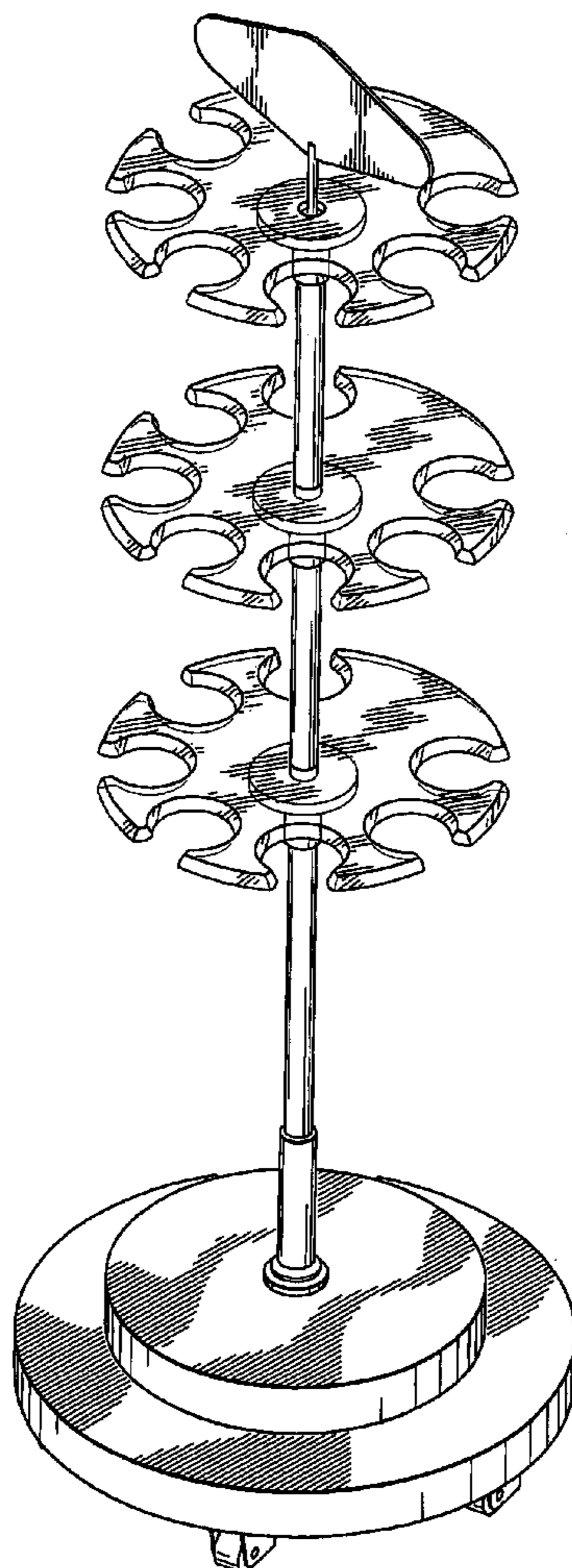
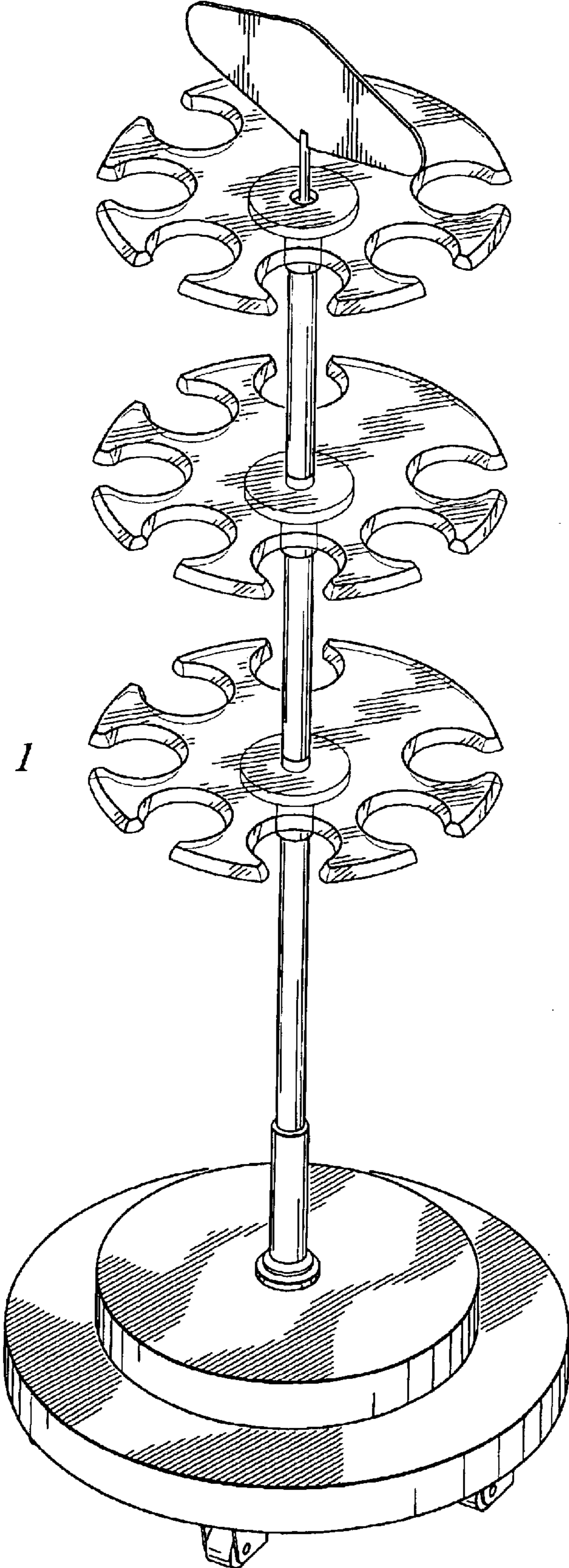


FIG. 1



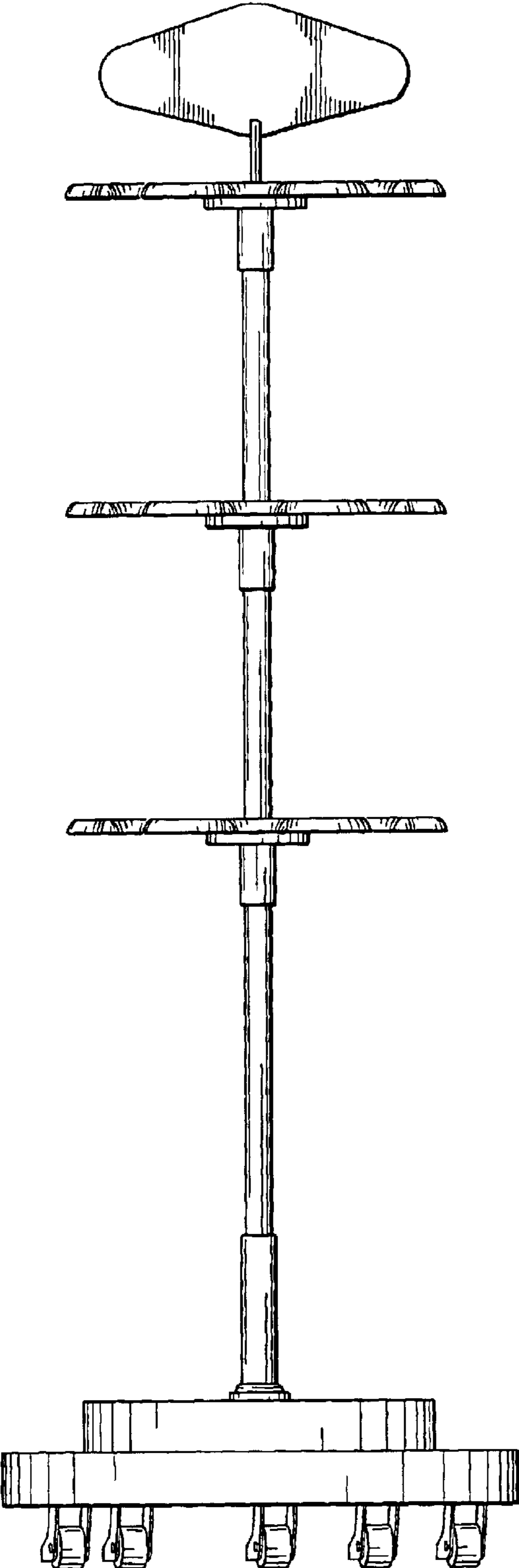


FIG. 2

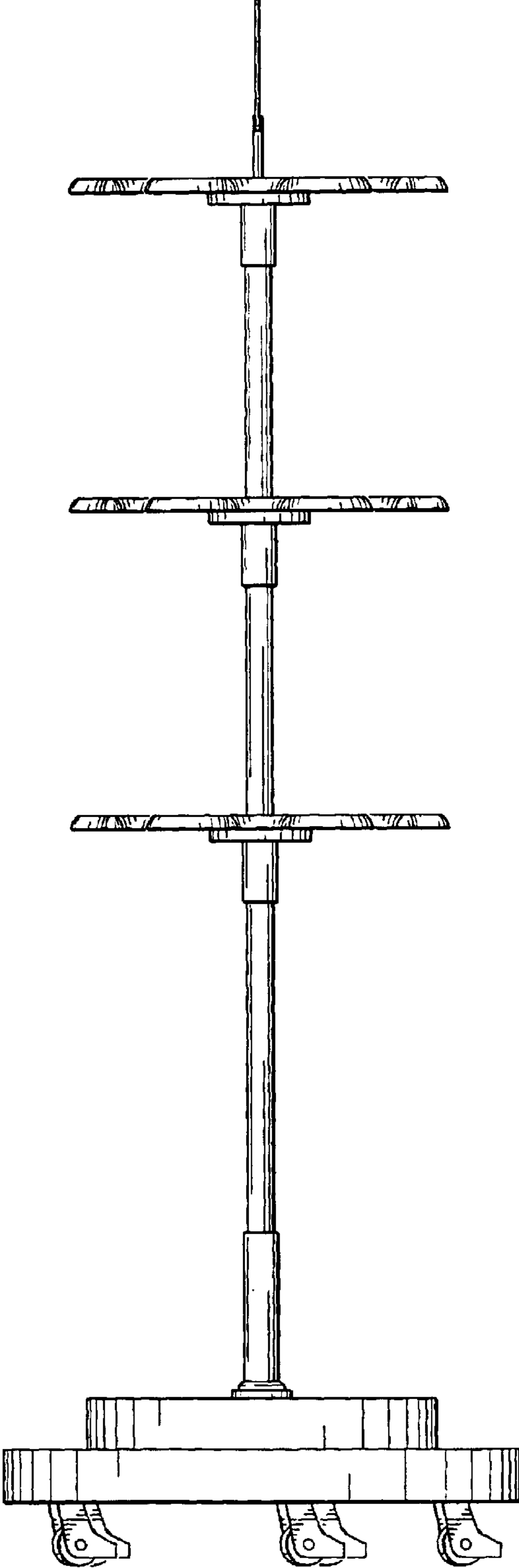


FIG. 3

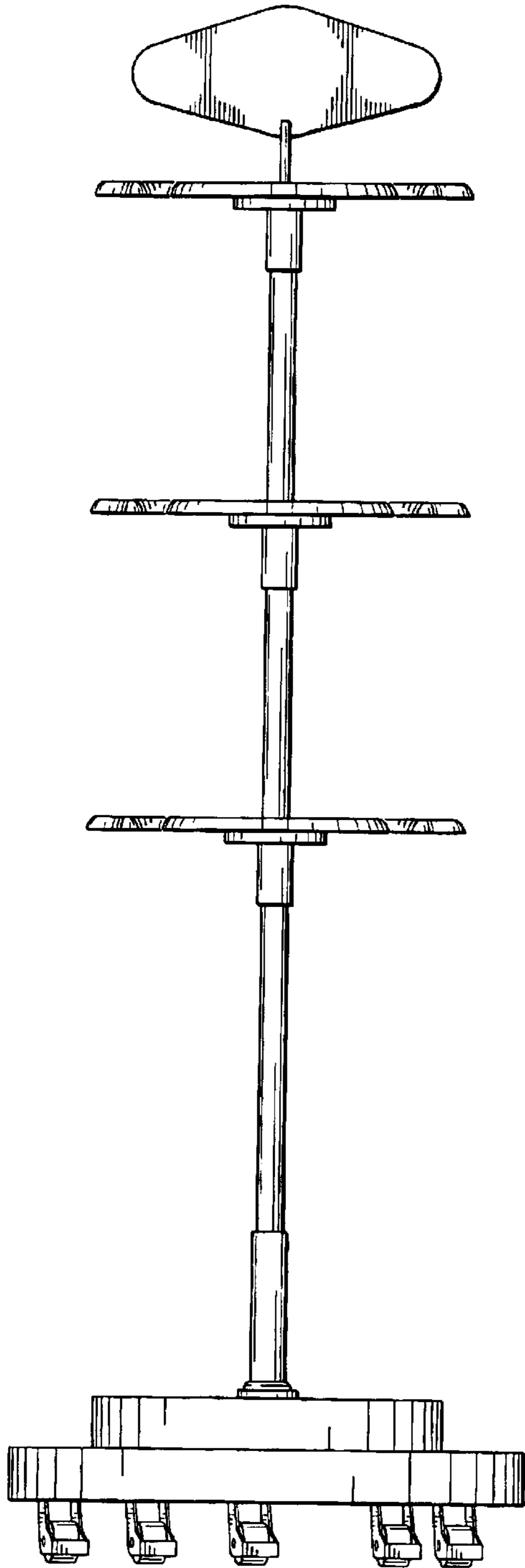


FIG. 4

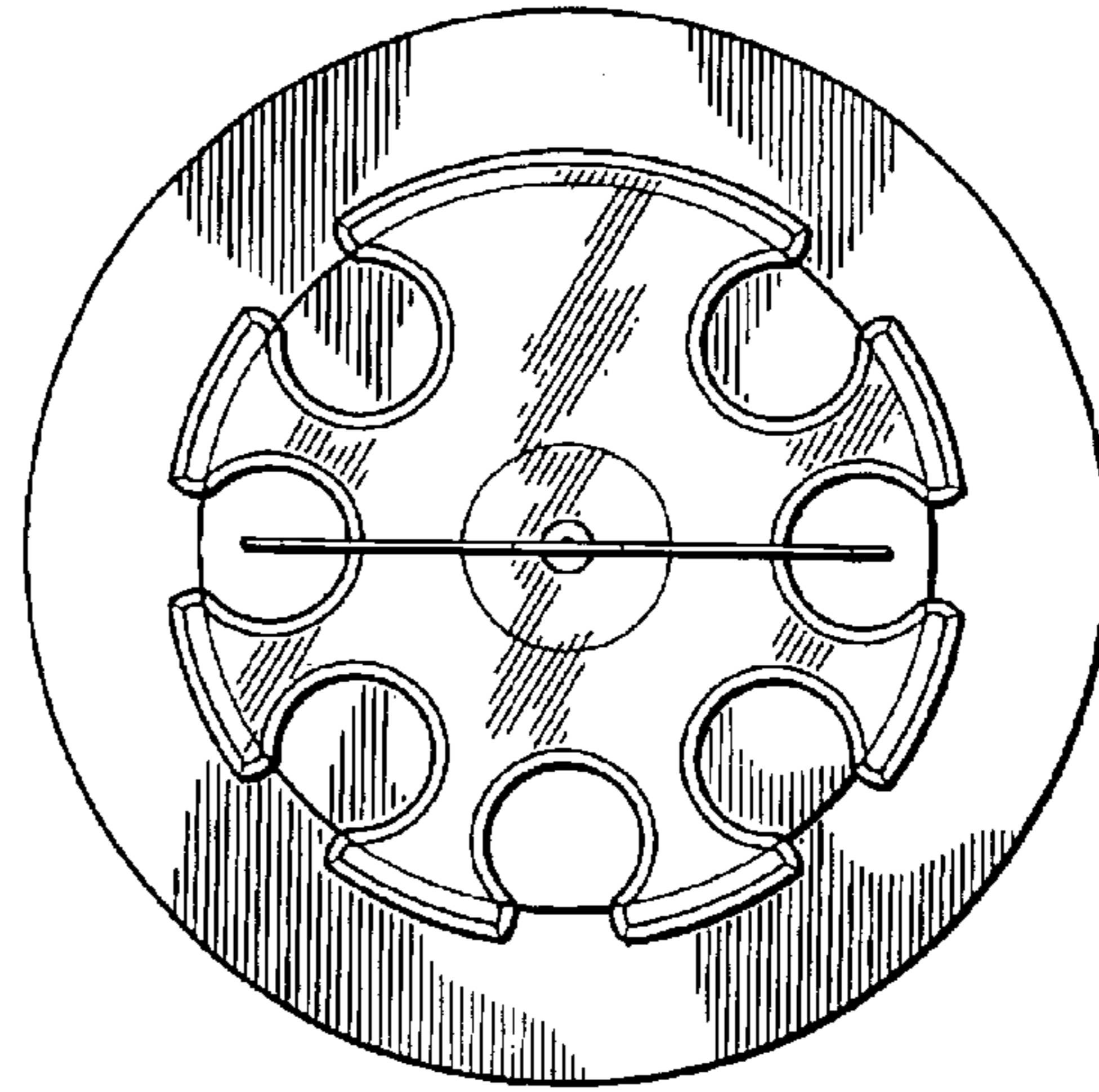


FIG. 5

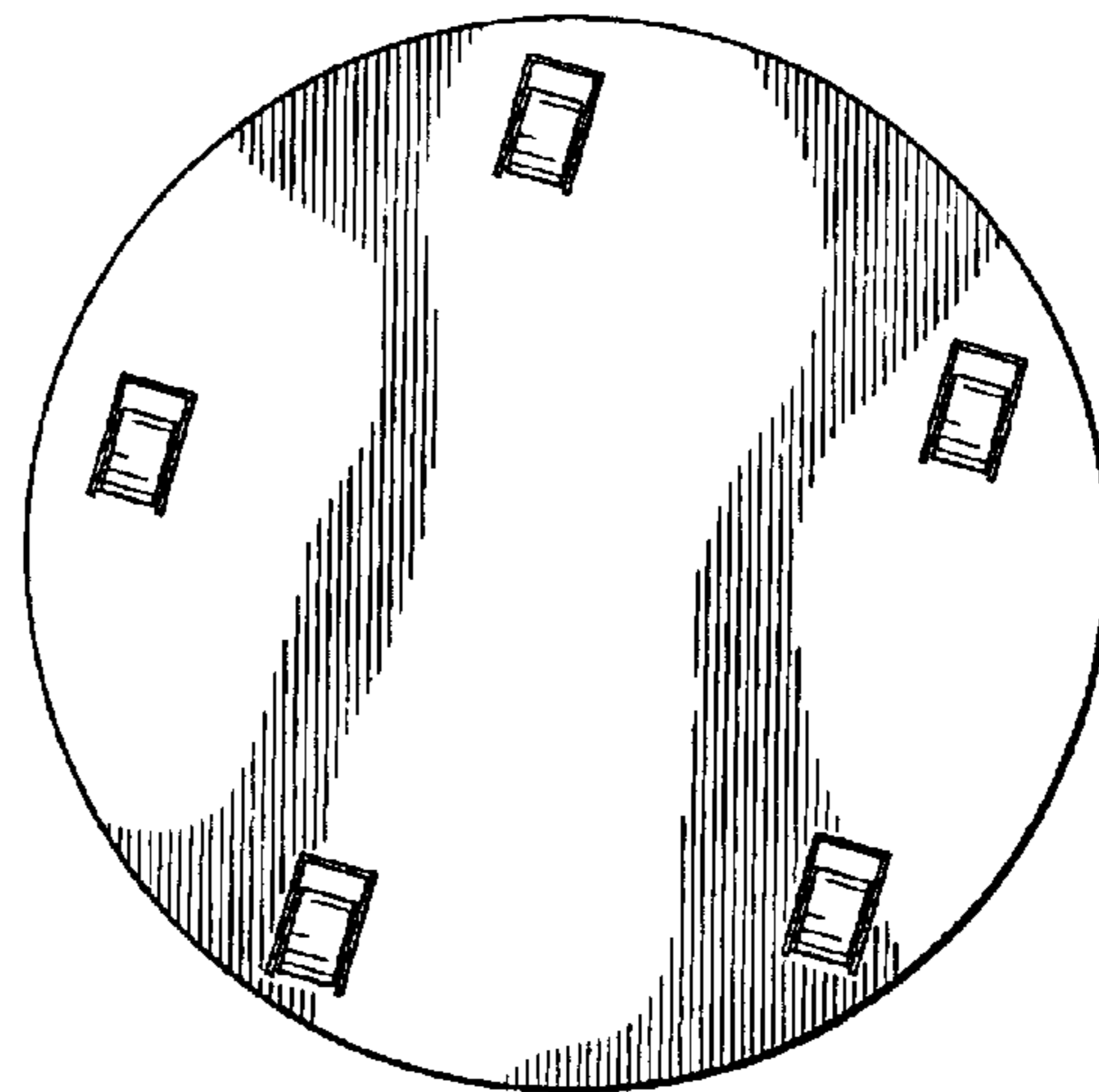


FIG. 6