



US00D512279S

(12) **United States Design Patent**
Berger et al.

(10) **Patent No.: US D512,279 S**
(45) **Date of Patent: ** Dec. 6, 2005**

(54) **COMBINED EXPANDABLE KNIFE HOLDER AND UTENSIL STORAGE UNIT**

D411,718 S * 6/1999 Davis et al. D7/637
D441,616 S * 5/2001 Cohen et al. D7/637

(76) Inventors: **Andy L. Berger**, 1800 S. Wolf Rd.,
Des Plaines, IL (US) 60018; **Linda
Chen Berger**, 1800 S. Wolf Rd., Des
Plaines, IL (US) 60018

* cited by examiner

Primary Examiner—Terry A. Wallace
(74) *Attorney, Agent, or Firm*—Ladas & Parry LLP

(**) Term: **14 Years**

(57) **CLAIM**

The ornamental design for an combined expandable knife holder and utensil storage unit, as shown and described.

(21) Appl. No.: **29/200,991**

(22) Filed: **Mar. 8, 2004**

DESCRIPTION

(51) **LOC (8) Cl.** **06-04**

(52) **U.S. Cl.** **D7/637**

(58) **Field of Search** D7/637-641, 550.1,
D7/553.1, 554.1, 553.2; D3/304, 313, 314;
D19/75, 77, 81-83, 86, 92; 220/23.83;
206/553, 557, 562, 564; 211/60.1, 70.1,
70.7

FIG. 1 is a perspective view from the front left side and above of the expandable knife holder and utensil storage unit showing our new design;

FIG. 2 is a left elevation view of said utensil storage unit; FIG. 3 is a right elevational view of said utensil storage unit; FIG. 4 is a front elevational view of said utensil storage unit; the rear elevational view being a mirror image thereof,

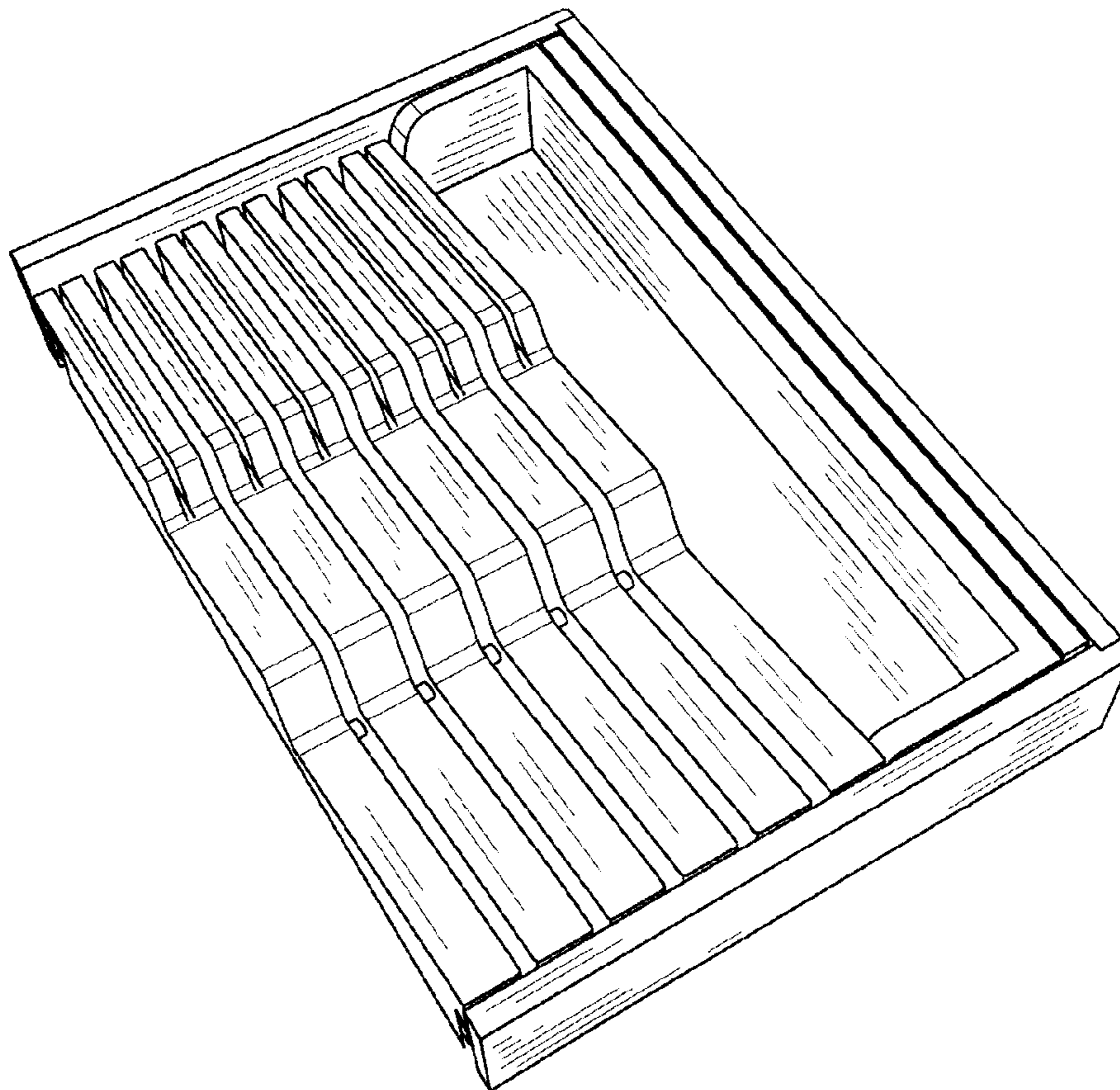
FIG. 5 is a top plan view of said utensil storage unit; FIG. 6 is a bottom plan view of said utensil storage unit; and, FIG. 7 is a perspective view from the front, left side and top thereof shown in an expanded position.

(56) **References Cited**

U.S. PATENT DOCUMENTS

D169,952 S * 6/1953 Thompson D7/637
D352,868 S * 11/1994 Breen D7/637

1 Claim, 4 Drawing Sheets



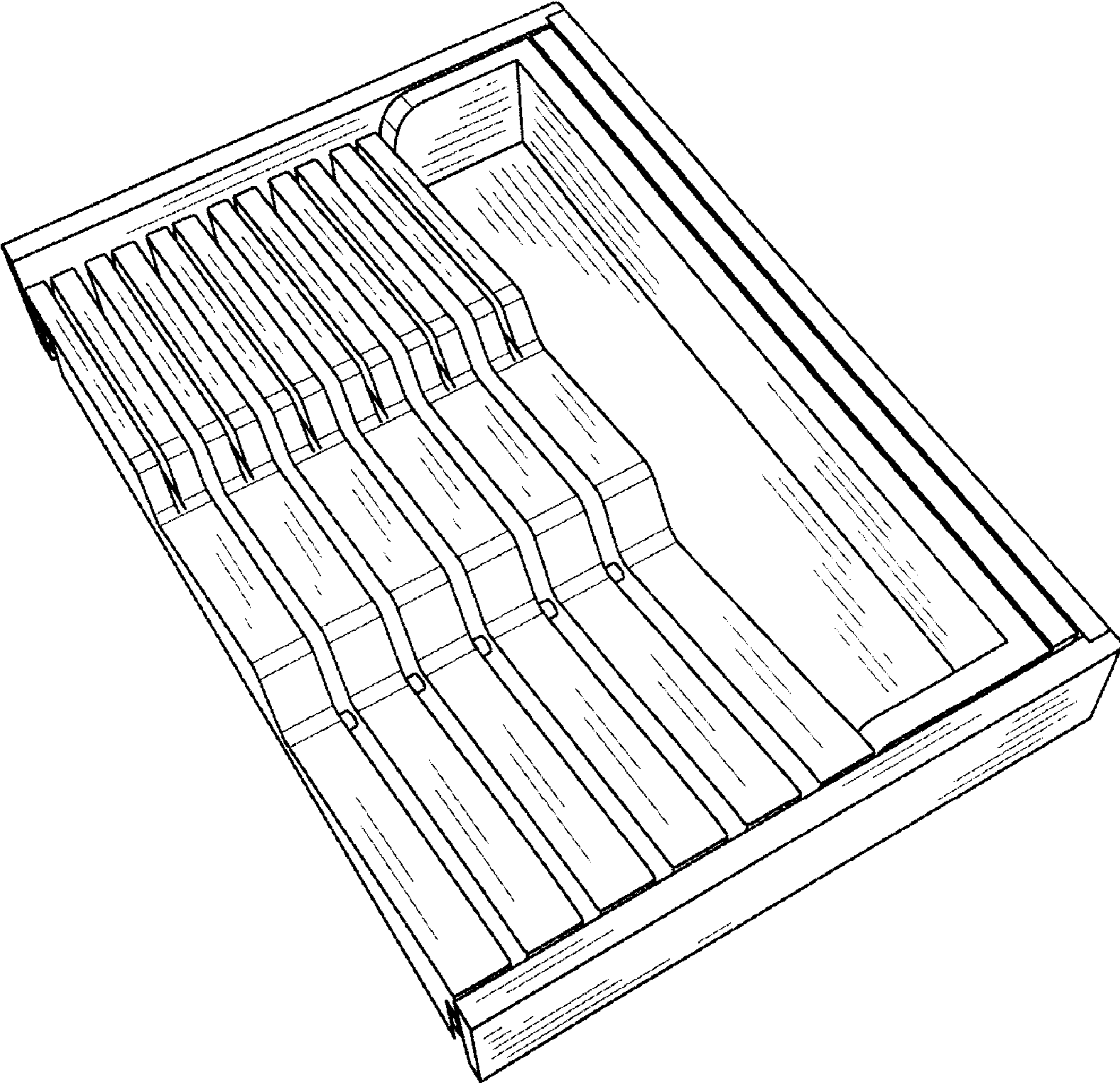


FIG. 1

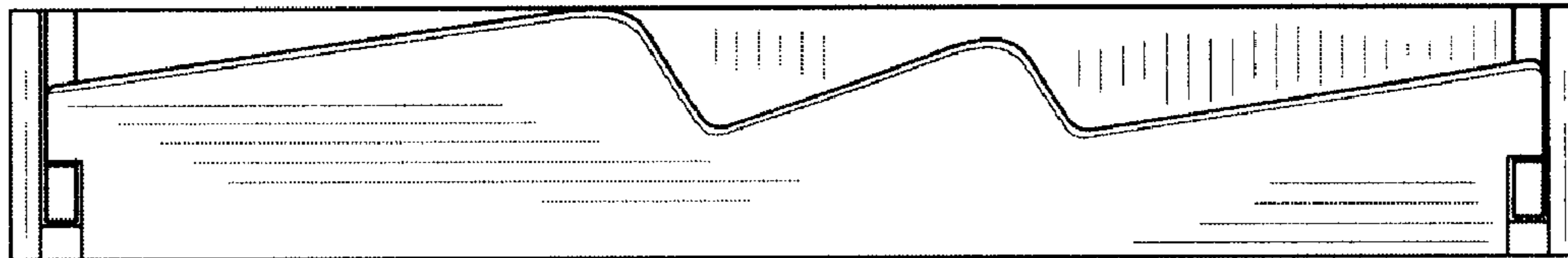


FIG. 2

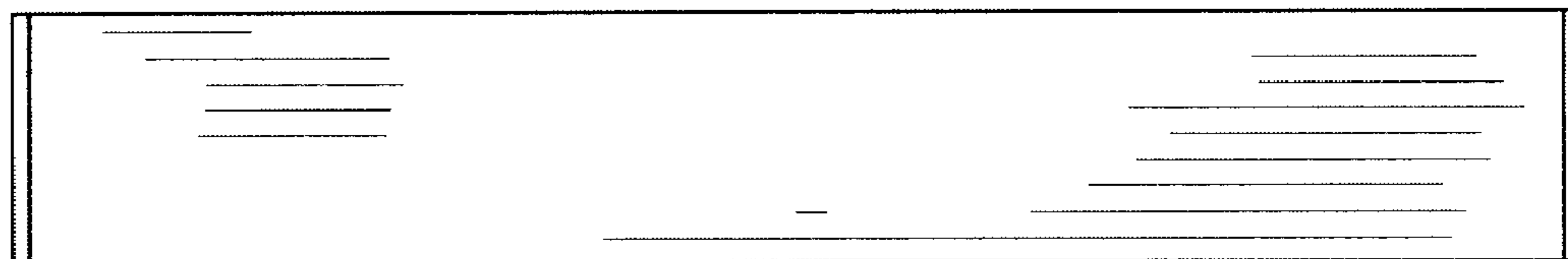


FIG. 3

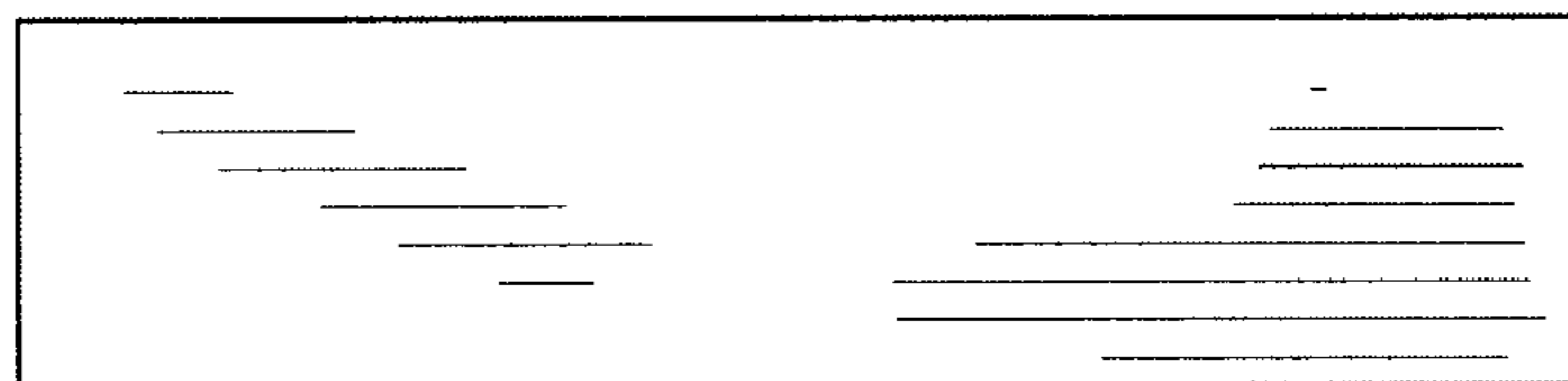


FIG. 4

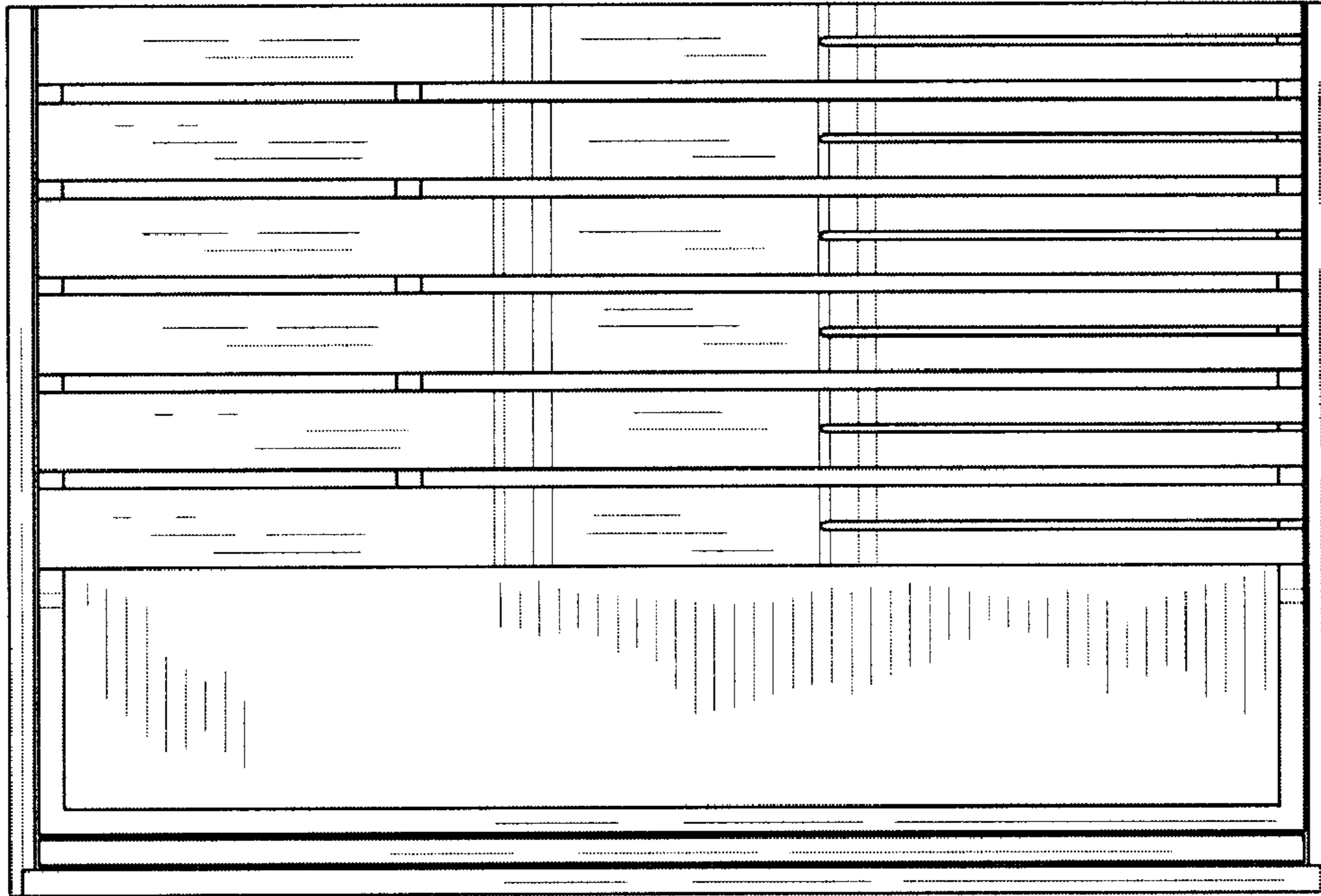


FIG. 5

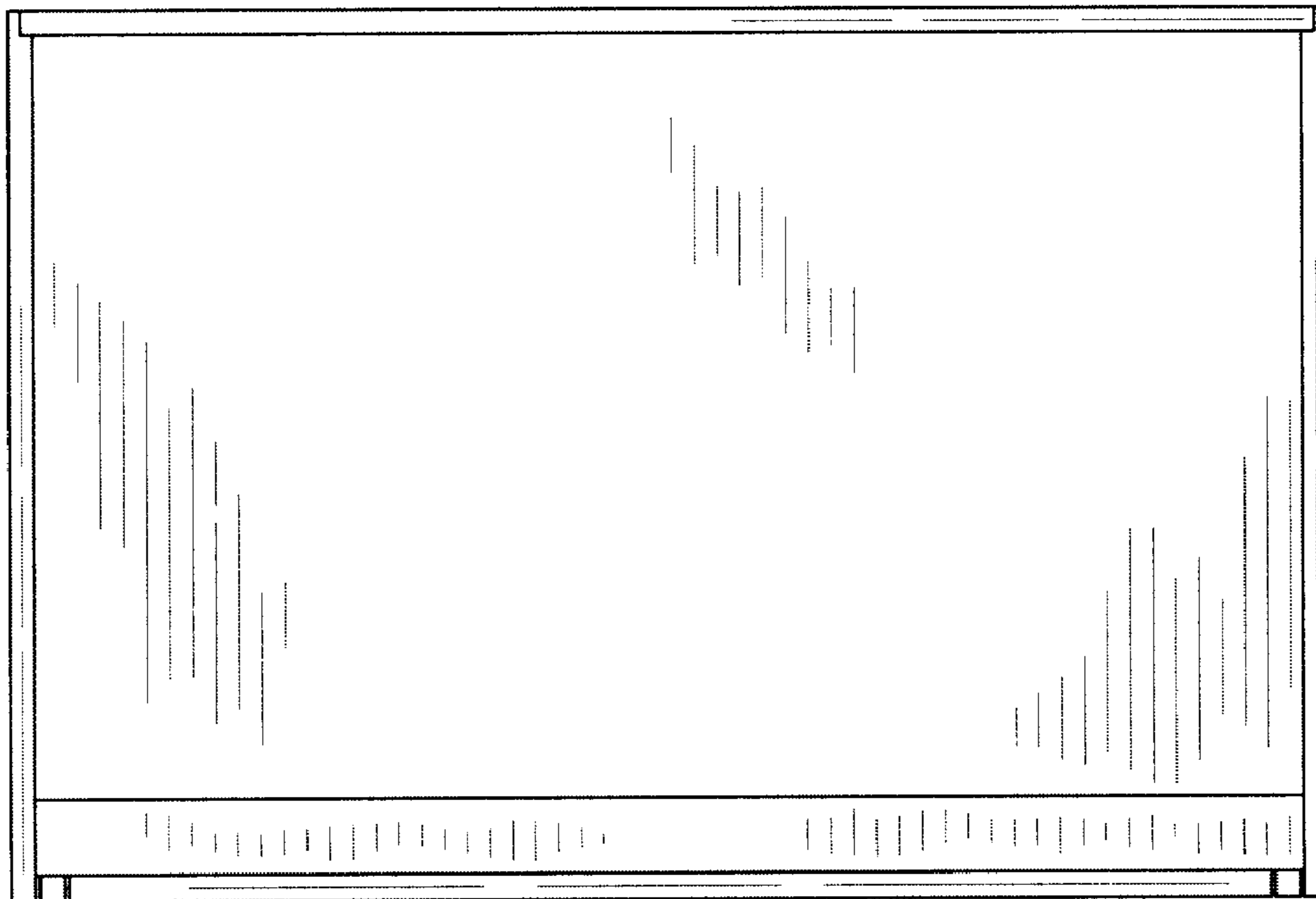


FIG. 6

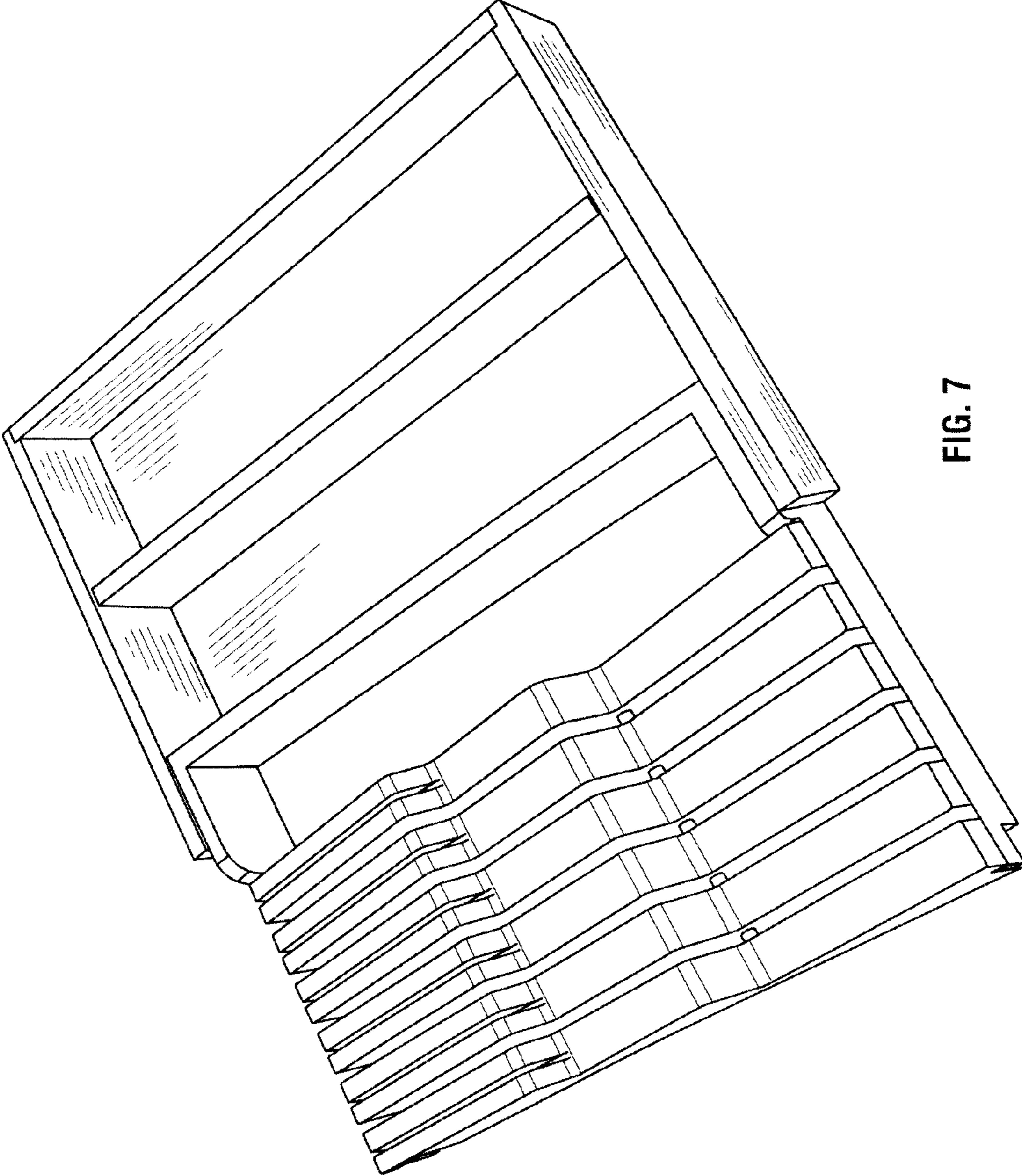


FIG. 7