



US00D512278S

(12) **United States Design Patent** (10) **Patent No.:** **US D512,278 S**
Schultz et al. (45) **Date of Patent:** **** Dec. 6, 2005**

(54) **TALL, SQUARE CONTAINER COMPRISING A BOWL AND A LID**

(75) Inventors: **Marissa A. K. Schultz**, Racine, WI (US); **Jeffrey J. Zettle**, Bay City, MI (US); **Lawrence C. Stanos**, Midland, MI (US); **Timothy R. Ordiway**, Racine, WI (US); **Craig R. Gosen**, Sanford, MI (US); **Nancy L. Broen**, Racine, WI (US); **Nheeda C. Enriquez**, Jersey City, NJ (US); **Devin L. Moore**, Decatur, GA (US); **Donald E. Hodge**, Clare, MI (US)

(73) Assignee: **S.C. Johnson Home Storage, Inc.**, Racine, WI (US)

(**) Term: **14 Years**

(21) Appl. No.: **29/179,924**

(22) Filed: **Apr. 17, 2003**

(51) **LOC (8) Cl.** **07-01**

(52) **U.S. Cl.** **D7/629**

(58) **Field of Search** D7/629, 630, 612-615, D7/538-548; D9/414, 424-432; 229/406, 902, 903; 220/281, 662, 675, 574, 574.1, 780-799

(56) **References Cited**

U.S. PATENT DOCUMENTS

2,985,354 A	5/1961	Aldington
3,122,296 A	2/1964	Fotos
3,262,602 A	7/1966	McConnell et al.
3,349,941 A	10/1967	Wanderer
3,360,162 A	12/1967	Miles
3,381,872 A	5/1968	Holder et al.
3,401,825 A	9/1968	Weiss
3,424,342 A	1/1969	Scopp et al.
3,520,441 A	7/1970	Fitzgerald
3,539,552 A	11/1970	Mounts et al.
3,613,938 A	10/1971	Westcott
3,615,039 A	10/1971	Ward

3,653,575 A	4/1972	Schrepper
3,677,435 A	7/1972	Davis
3,737,093 A	6/1973	Amberg et al.
3,743,133 A	7/1973	Rathbun
3,759,416 A	9/1973	Constantine
3,773,207 A	11/1973	Dokoupil et al.
3,779,418 A	12/1973	Davis
3,797,694 A	3/1974	See et al.
D235,621 S	7/1975	Cawrse
4,027,776 A	6/1977	Douglas
4,058,247 A	11/1977	Florian
4,082,184 A	4/1978	Hammer
4,306,664 A	12/1981	Bawden
4,412,630 A *	11/1983	Daenen 220/792
4,444,332 A	4/1984	Widen et al.
4,474,305 A	10/1984	Marco

(Continued)

FOREIGN PATENT DOCUMENTS

EP	1279605	1/2003
GB	2121672	1/1984

OTHER PUBLICATIONS

International Search Report and Written Opinion mailed Oct. 13, 2004, in connection with International Application No. PCT/US2004/019310.

Primary Examiner—Terry A. Wallace

(74) *Attorney, Agent, or Firm*—Fitzpatrick, Cella, Harper & Scinto

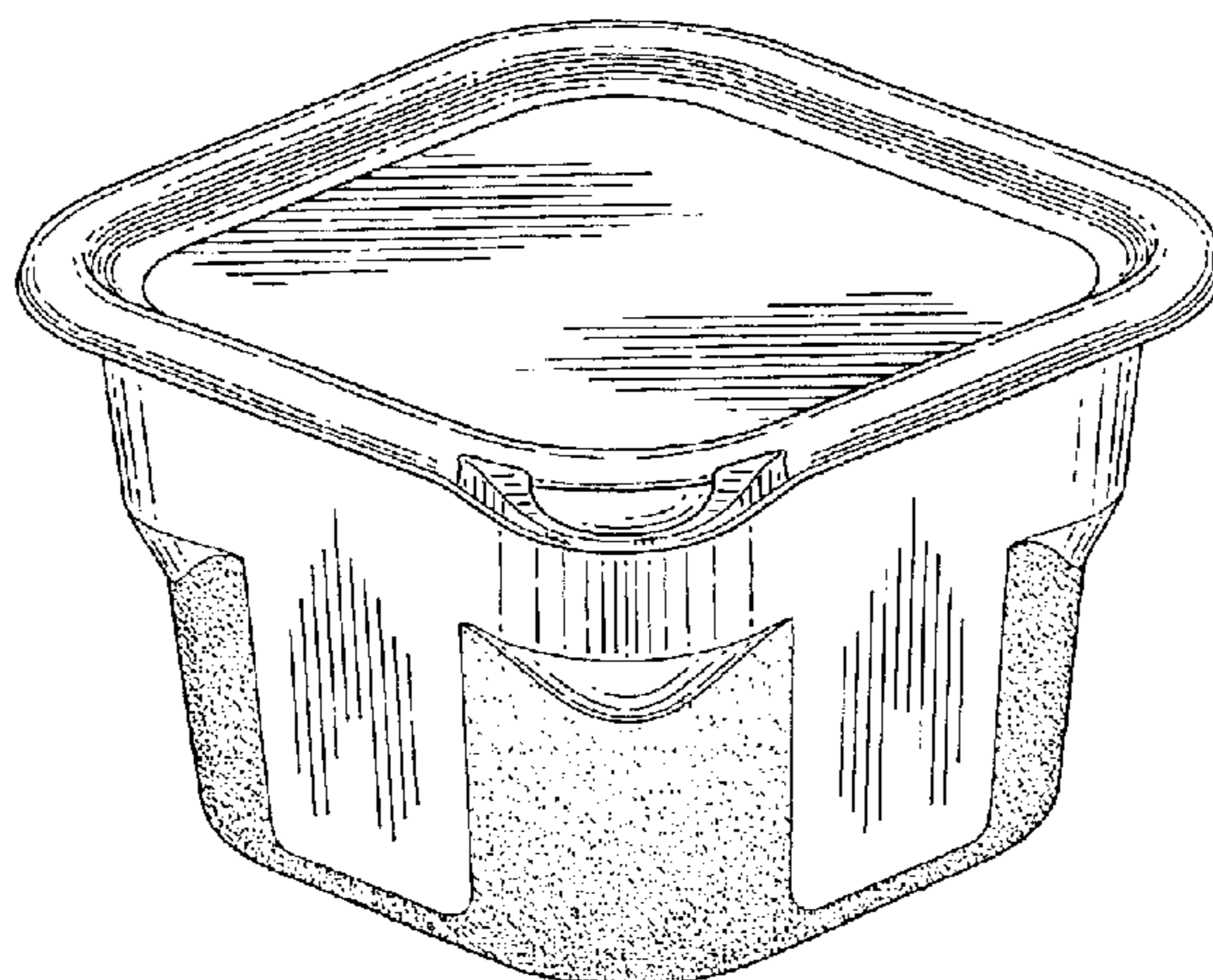
(57) **CLAIM**

The ornamental design for a tall, square container comprising a bowl and a lid, as shown.

DESCRIPTION

FIG. 1 is a perspective view of a tall square container comprising a bowl and a lid showing our new design; FIG. 2 is a side view thereof; FIG. 3 is a top plan view thereof; and, FIG. 4 is a bottom plan view thereof.

1 Claim, 4 Drawing Sheets



US D512,278 S

U.S. PATENT DOCUMENTS

D279,253 S	*	6/1985	Daenen et al.	D7/614	D428,310 S	7/2000	Zettle et al.
4,574,174 A		3/1986	McGonigle	219/10.55 M	D428,777 S	8/2000	Hayes et al.
4,765,506 A		8/1988	Fishman et al.		6,105,810 A	8/2000	Daenen et al.
4,787,527 A		11/1988	Monetti		6,164,484 A	12/2000	Fiore et al.
4,797,523 A		1/1989	Kohnen	219/10.55 E	6,168,044 B1	1/2001	Zettle et al.
4,819,824 A		4/1989	Longbottom et al.		6,170,696 B1	1/2001	Tucker et al.
4,836,407 A		6/1989	Bruce et al.		D440,470 S	4/2001	Tucker et al.
4,844,263 A		7/1989	Hadtke		D440,830 S	4/2001	Tucker et al.
D305,002 S		12/1989	Hayes et al.		6,213,301 B1	4/2001	Landis et al.
D305,003 S		12/1989	Hayes et al.		6,213,302 B1	4/2001	Sanders et al.
4,917,261 A		4/1990	Borst		6,216,905 B1	4/2001	Mogard et al.
D308,942 S	*	7/1990	Thundercliffe	D9/425	6,217,136 B1	4/2001	Dorfman et al.
4,974,742 A		12/1990	Farrell et al.		D442,484 S	5/2001	Maxwell et al.
4,986,438 A		1/1991	Borst		6,230,924 B1	5/2001	Weiss et al.
D316,513 S	*	4/1991	Wolff	D9/431	D443,184 S	6/2001	Maxwell et al.
5,012,928 A		5/1991	Proffit et al.		D443,484 S	6/2001	Maxwell et al.
5,040,682 A		8/1991	Palisin, Jr. et al.		D443,798 S	6/2001	Tucker et al.
D319,978 S		9/1991	Wolff		D445,649 S	7/2001	Maxwell et al.
D320,744 S		10/1991	Palisin, Jr.		D445,650 S	7/2001	Maxwell et al.
D321,652 S		11/1991	Palisin, Jr.		6,257,434 B1	7/2001	Lizzio
5,065,889 A		11/1991	Conti		6,260,729 B1	7/2001	Mitchell et al.
D322,032 S		12/1991	Palisin, Jr.		6,260,731 B1	7/2001	Cummings
D322,033 S		12/1991	Palisin, Jr. et al.		D446,077 S	8/2001	Tucker et al.
5,147,059 A		9/1992	Olsen et al.		D446,450 S	8/2001	Zettle et al.
5,293,997 A		3/1994	Hustad et al.		6,273,258 B1	8/2001	Piacenza
5,344,021 A		9/1994	Rose		6,276,555 B1	8/2001	Edwards
5,348,181 A		9/1994	Smith et al.		D447,382 S	9/2001	Tucker et al.
5,356,026 A		10/1994	Andress et al.		D448,288 S	9/2001	Zettle et al.
5,388,714 A		2/1995	Zutler		6,283,298 B1	9/2001	Seidler
5,390,797 A		2/1995	Smalley et al.		D448,991 S	10/2001	Zettle et al.
5,489,036 A		2/1996	Arkins		D449,495 S	10/2001	Tucker et al.
5,542,234 A		8/1996	Wyslotsky et al.		6,305,546 B1	10/2001	Saunders et al.
5,624,051 A		4/1997	Ahern, Jr. et al.		D450,983 S	11/2001	Tucker et al.
D390,109 S		2/1998	Tucker et al.		6,325,234 B1	12/2001	Legaspi
5,758,791 A		6/1998	Mangla		6,343,709 B1	2/2002	DeForrest et al.
5,758,793 A		6/1998	Forsyth et al.		6,349,820 B1	2/2002	Kelley et al.
5,806,710 A		9/1998	Shiffer et al.		6,364,112 B1	4/2002	Pitschka
5,894,953 A		4/1999	Ramirez		6,364,152 B1	4/2002	Poslinski et al.
D411,741 S	*	6/1999	Wilson et al.	D9/425	D462,880 S	9/2002	Maxwell et al.
5,972,292 A		10/1999	DeMeo		D465,154 S	11/2002	O'Brien
5,992,679 A		11/1999	Porcia et al.		D466,299 S	12/2002	Zimmerman

* cited by examiner

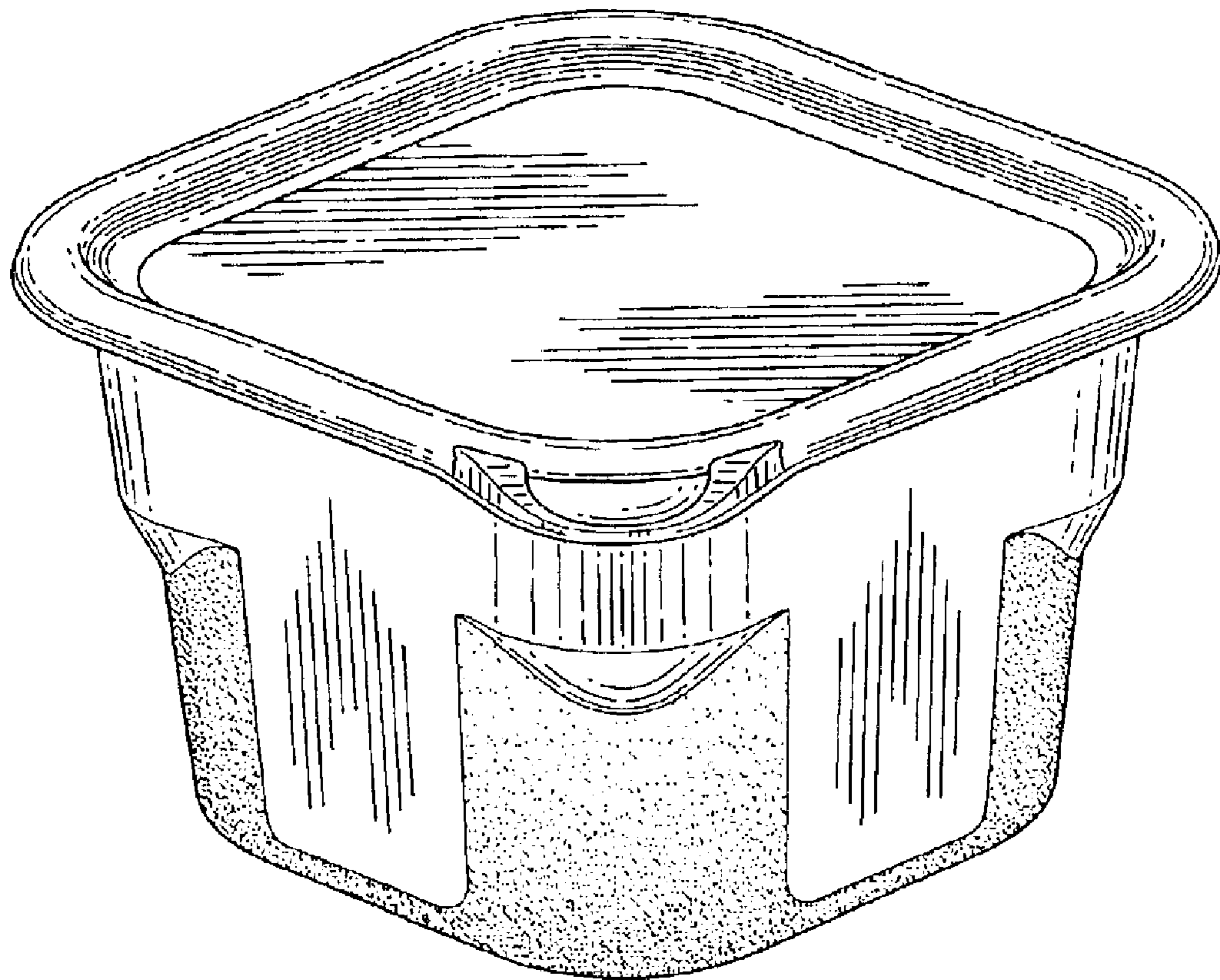


FIG. 1

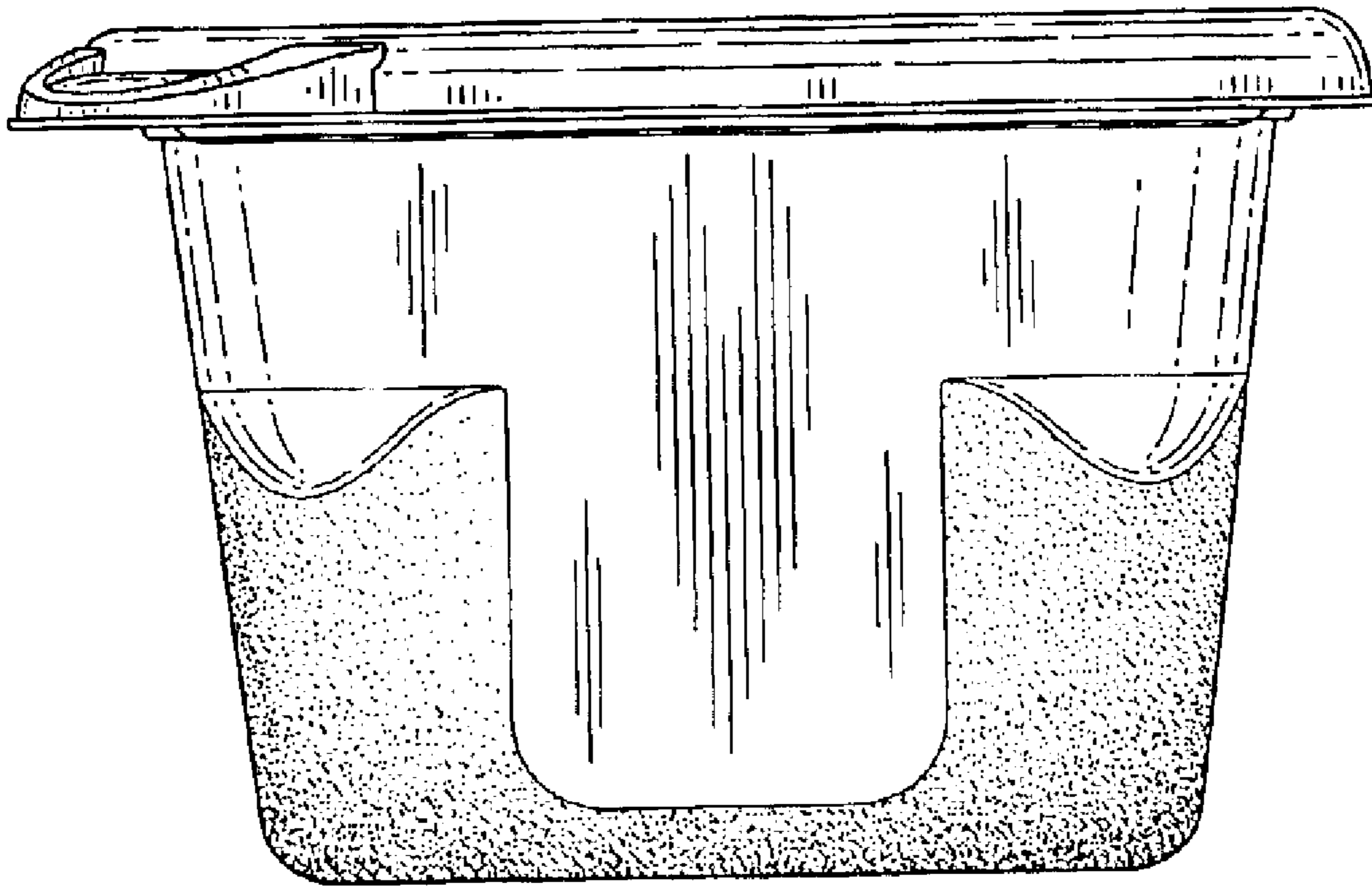


FIG. 2

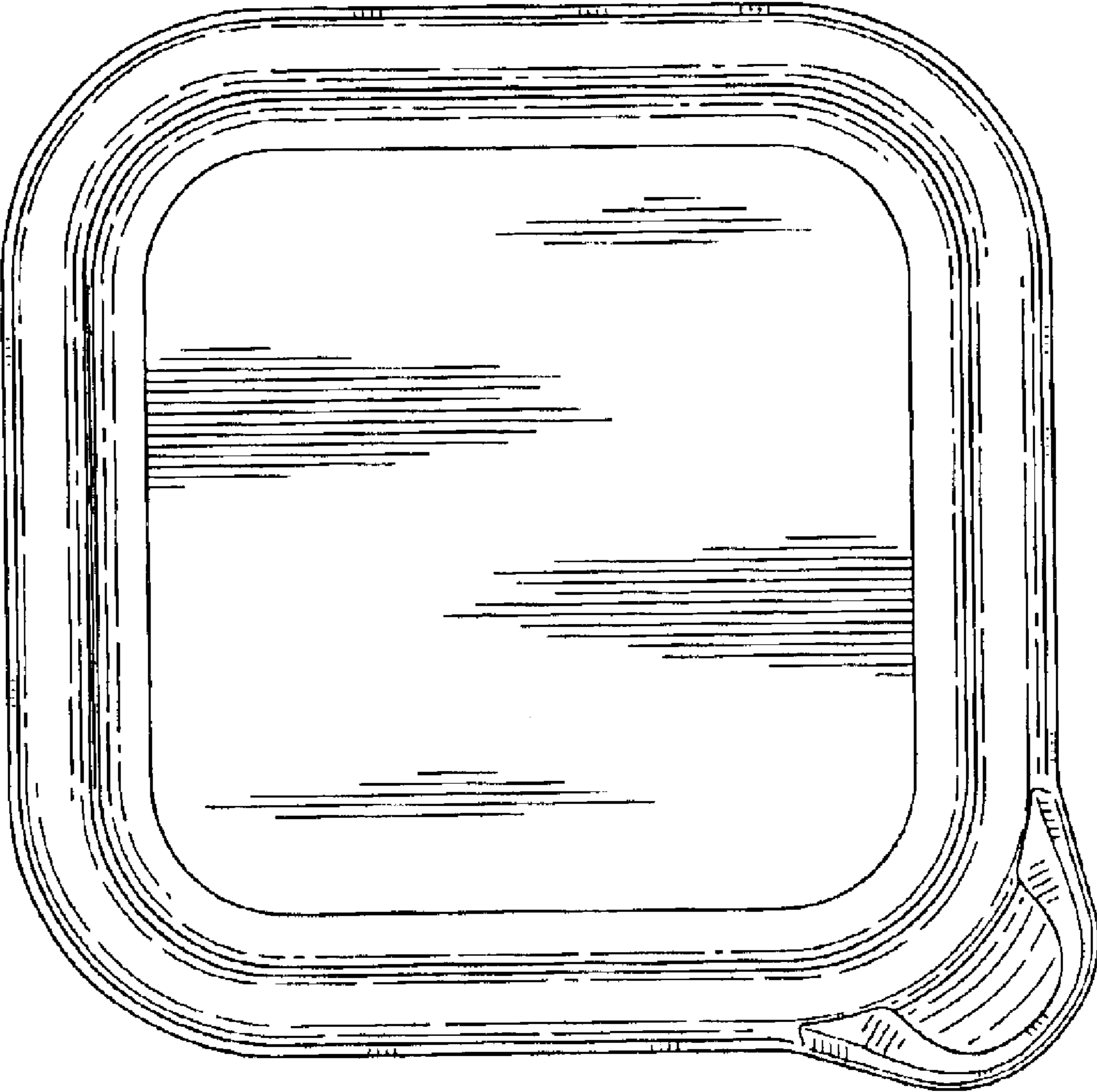


FIG. 3

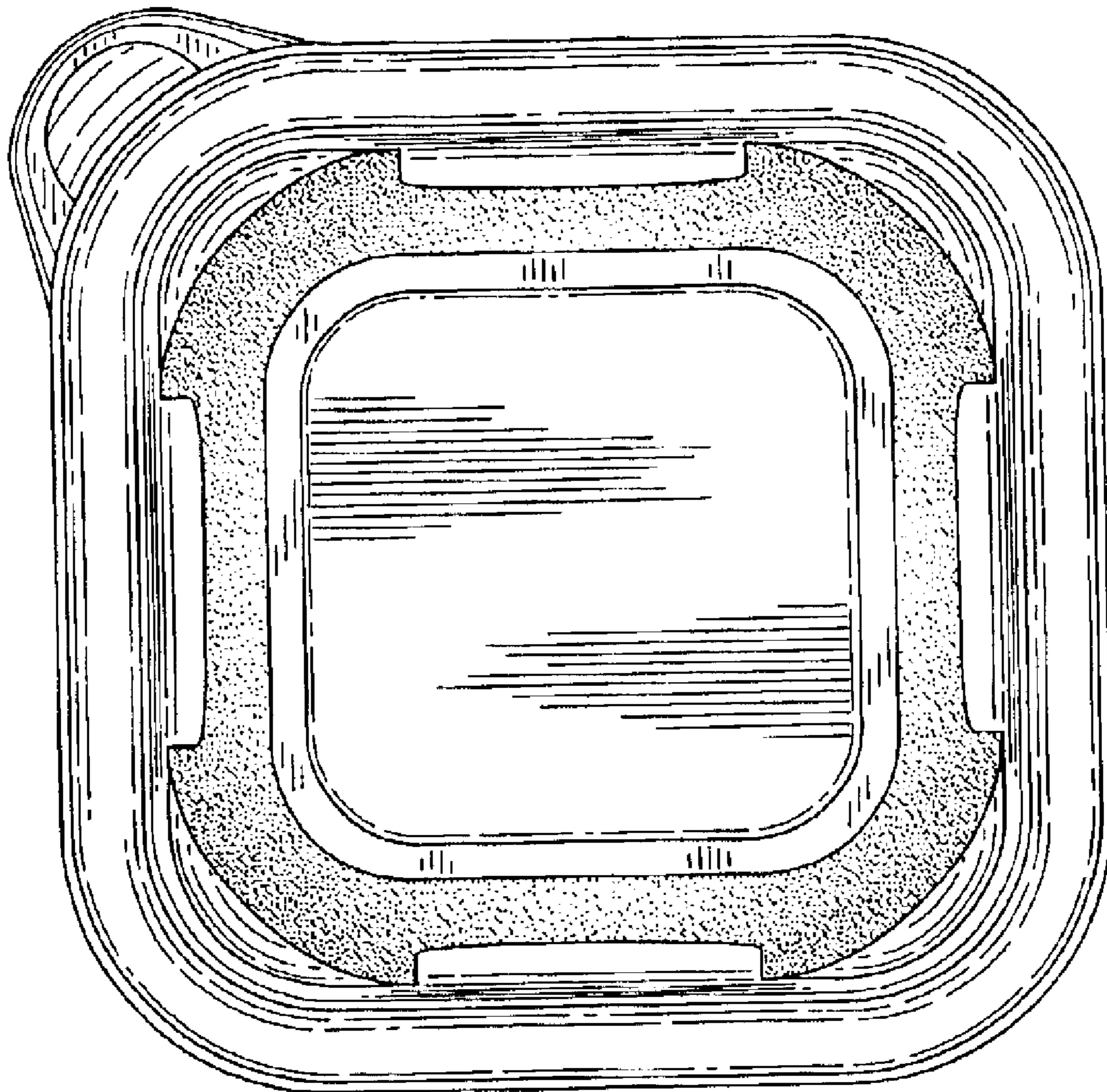


FIG. 4