



US00D512273S

(12) **United States Design Patent** (10) **Patent No.:** **US D512,273 S**
Laib et al. (45) **Date of Patent:** **** Dec. 6, 2005**

(54) **CONTAINER**

(75) Inventors: **Douglas M. Laib**, Orlando, FL (US);
John-Michael R. Ekeblad, Orlando, FL (US)

(73) Assignee: **Dart Industries Inc.**, Orlando, FL (US)

(**) Term: **14 Years**

(21) Appl. No.: **29/204,354**

(22) Filed: **Apr. 28, 2004**

(51) **LOC (8) Cl.** **07-01**

(52) **U.S. Cl.** **D7/602**

(58) **Field of Search** D7/602, 629, 538-542;
D3/201, 203, 206, 273, 274; D9/424-432;
220/675, 780-783, 792-799, 805; D19/75,
86, 90-92

(56) **References Cited**

U.S. PATENT DOCUMENTS

D159,884 S	*	8/1950	Baldanza	D9/424
4,697,703 A		10/1987	Will		
4,742,585 A		5/1988	Logsdon		
D302,774 S		8/1989	Murphy		
4,989,731 A		2/1991	Shuert		
5,007,231 A		4/1991	Ingemann		
D330,161 S		10/1992	Schuh		
D334,499 S		4/1993	Meisner et al.		
5,363,978 A		11/1994	Molo		
5,377,858 A		1/1995	Morris		

(Continued)

FOREIGN PATENT DOCUMENTS

JP	D1153951	8/2002
JP	D1153952	8/2002
JP	D1153953	8/2002
JP	D1153954	8/2002

OTHER PUBLICATIONS

Tupperware Collection Catalog, Sep. 2002, pp. 36 and 37 showing above listed Japanese Design Registrations 1153951; 1153952; 1153953; 1153954.

Primary Examiner—Terry A. Wallace
(74) *Attorney, Agent, or Firm*—John A. Doninger

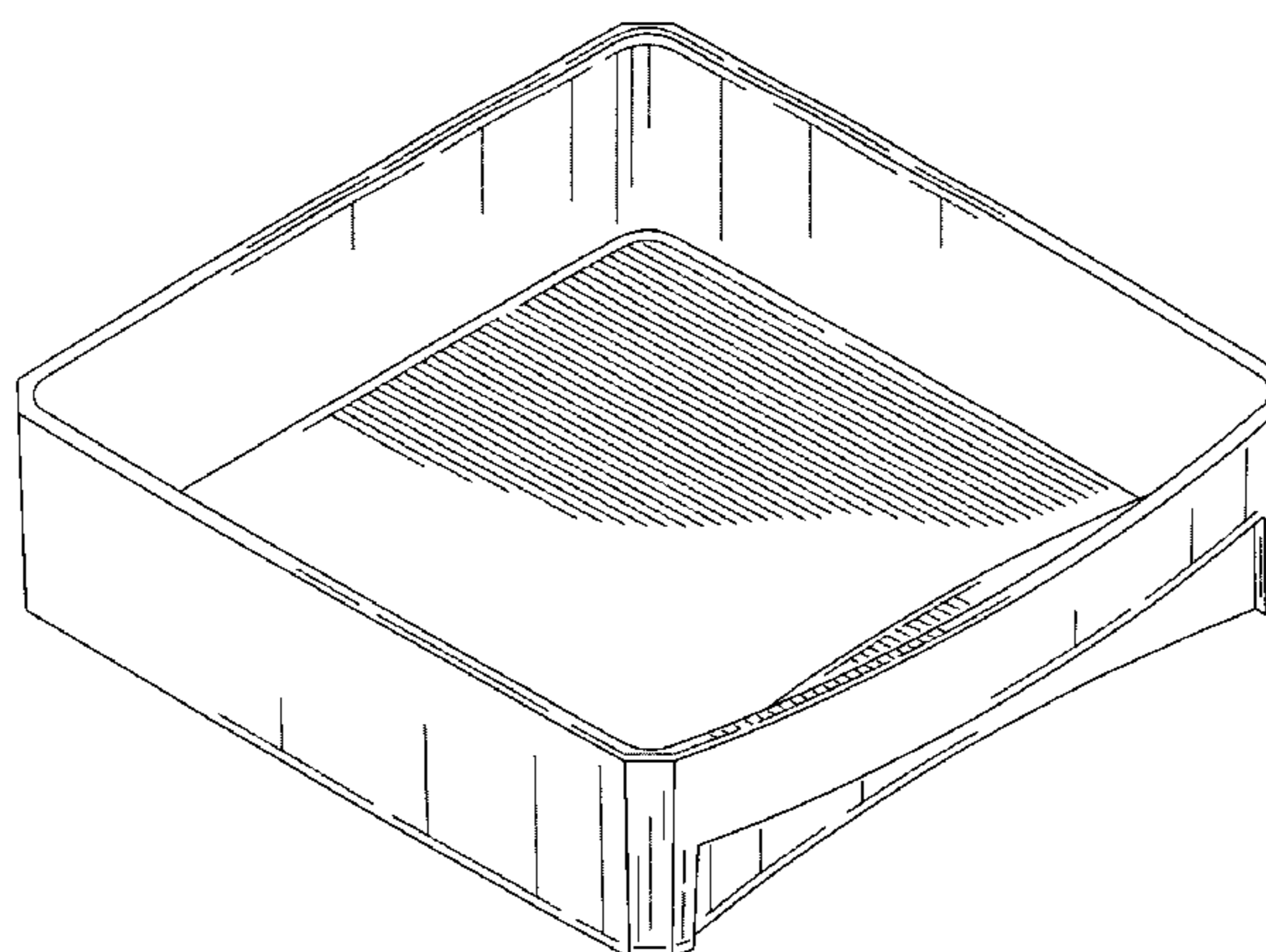
(57) **CLAIM**

The ornamental design for a container, as shown and described.

DESCRIPTION

FIG. 1 is a top, side and front perspective view of a first embodiment of a container showing the new design; FIG. 2 is a front elevation view thereof; FIG. 3 is a rear elevation view thereof; FIG. 4 is a left side elevation view thereof, the right side elevation being a mirror image thereof; FIG. 5 is a top plan view thereof; FIG. 6 is a bottom plan view thereof; FIG. 7 is a top, side and front perspective view of a second embodiment of a container showing the new design; FIG. 8 is a front elevation view thereof; FIG. 9 is a rear elevation view thereof; FIG. 10 is a left side elevation view thereof, the right side elevation being a mirror image thereof; FIG. 11 is a top plan view thereof; FIG. 12 is a bottom plan view thereof; FIG. 13 is a top, side and front perspective view of a third embodiment of a container showing the new design; FIG. 14 is a front elevation view thereof; FIG. 15 is a rear elevation view thereof; FIG. 16 is a left side elevation view thereof, the right side elevation view being a mirror image thereof; FIG. 17 is a top plan view thereof; FIG. 18 is a bottom plan view thereof. FIG. 19 is a top, side and front perspective view of a fourth embodiment of a container showing the new design; FIG. 20 is a front elevation view thereof; FIG. 21 is a rear elevation view thereof; FIG. 22 is a left side elevation view thereof, the right side elevation view being a mirror image thereof; FIG. 23 is a top plan view thereof; and, FIG. 24 is a bottom plan view thereof.

1 Claim, 12 Drawing Sheets



US D512,273 S

Page 2

U.S. PATENT DOCUMENTS

D366,397 S	1/1996	Zimmerman		D418,021 S	12/1999	Terracciano et al.	D7/605
D371,053 S	6/1996	Lillelund et al.		D422,457 S	4/2000	Daenen et al.	D7/615
5,535,940 A	7/1996	Olds		D423,294 S	4/2000	Klein et al.	D7/605
D372,641 S	8/1996	Betend-Bon		D437,984 S	2/2001	Weiss et al.	D34/1
D373,053 S	8/1996	Allegre		D445,568 S	7/2001	Lippisch	D3/273
D387,530 S	12/1997	Doxey	D34/1	D445,986 S	7/2001	Stanek et al.	D34/38
5,697,707 A	12/1997	Esposito		D448,662 S	10/2001	Collins et al.	D9/425
5,762,228 A	6/1998	Morgan et al.	220/367.1	6,311,838 B1	11/2001	Johnson et al.	206/363
D397,552 S	9/1998	Rutledge	D3/302	6,318,586 B1	11/2001	Frankenberg	220/826
D398,485 S	9/1998	Landauer et al.	D7/629	D455,614 S	4/2002	Miller	D7/629
D405,576 S	2/1999	Rausch	D34/1	6,371,363 B1	4/2002	Franklin et al.	229/109
D413,231 S	8/1999	Loew et al.	D7/612	D462,877 S	9/2002	Lillelund et al.	D7/602
5,944,211 A	8/1999	Woodnorth et al.	220/203.13				

* cited by examiner

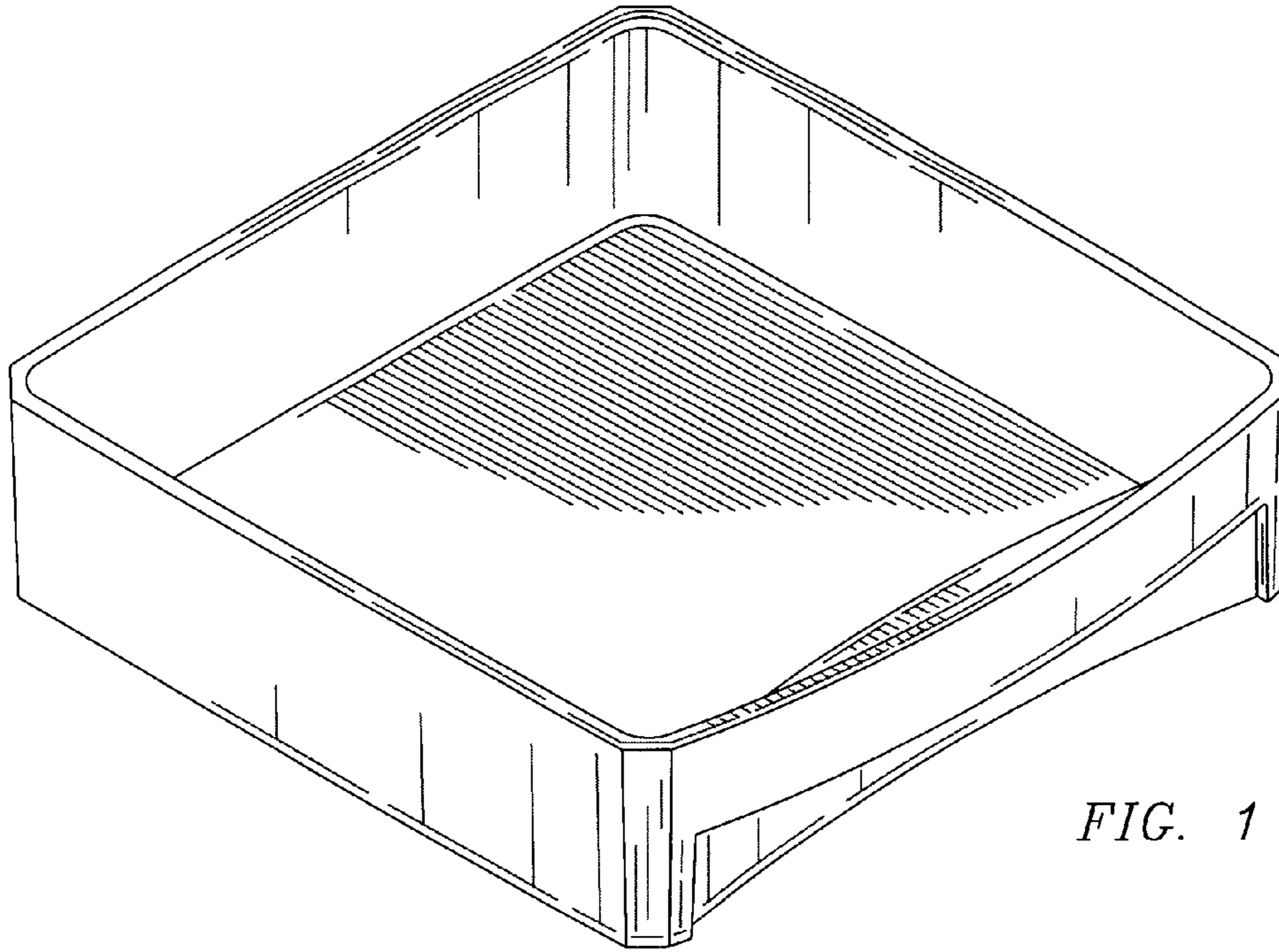


FIG. 1

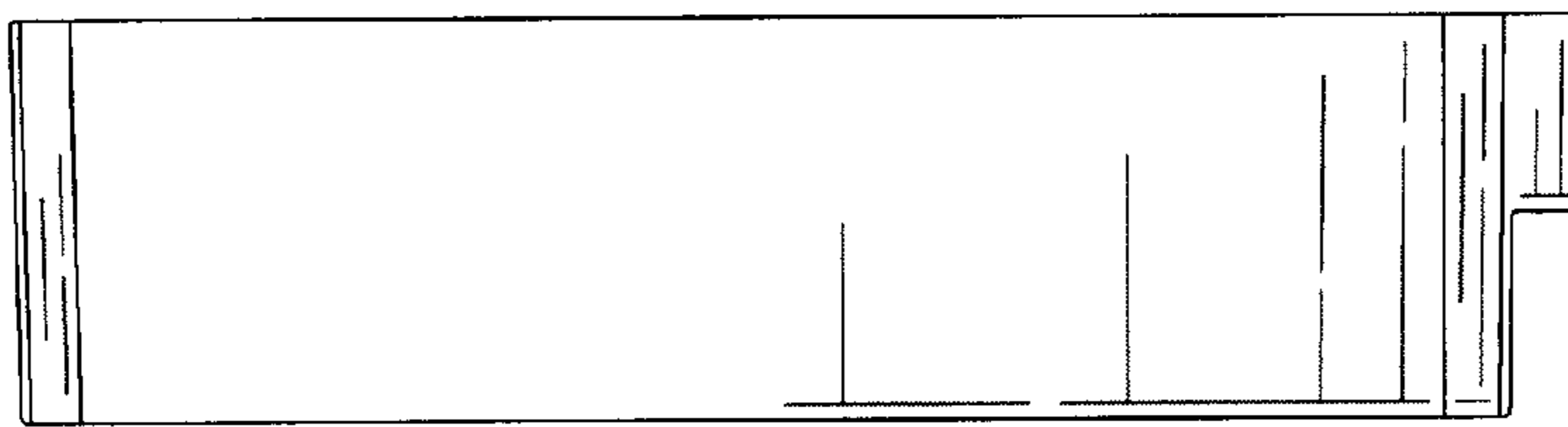


FIG. 4

FIG. 2

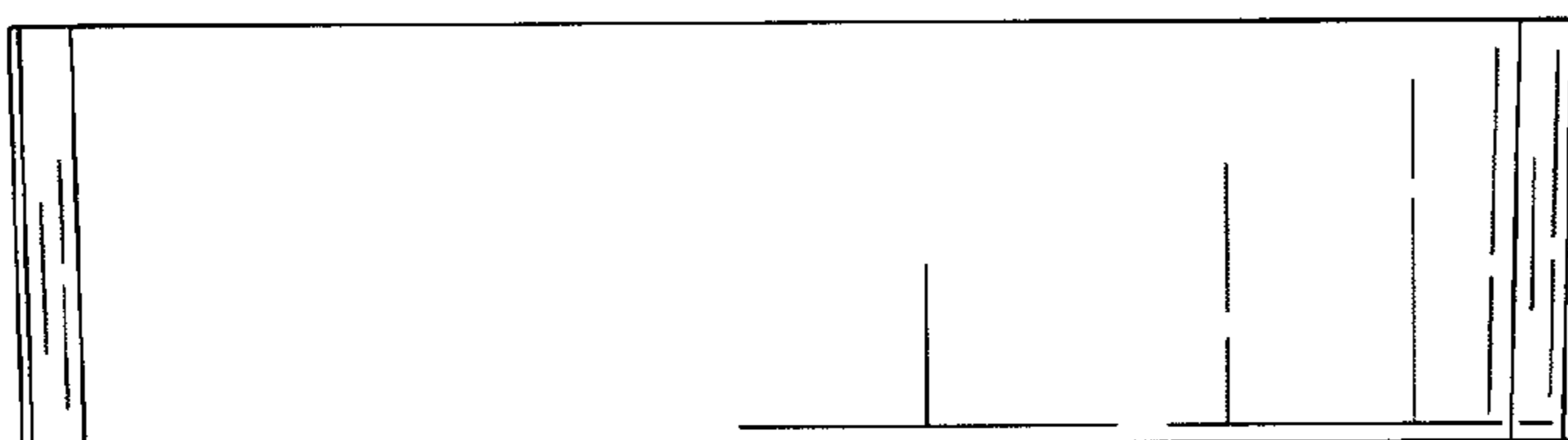
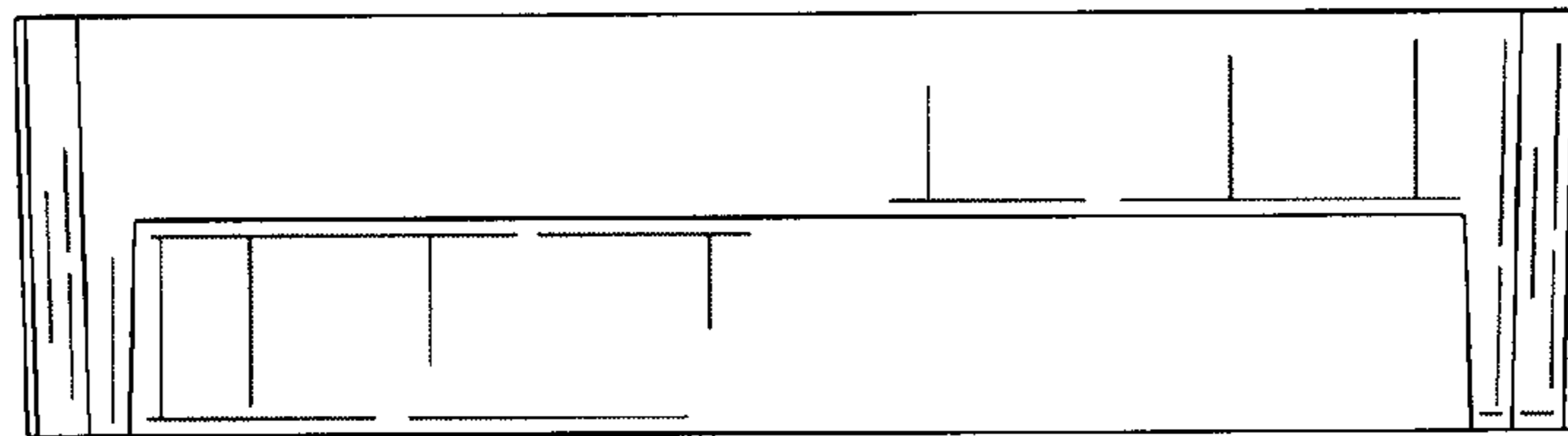


FIG. 3

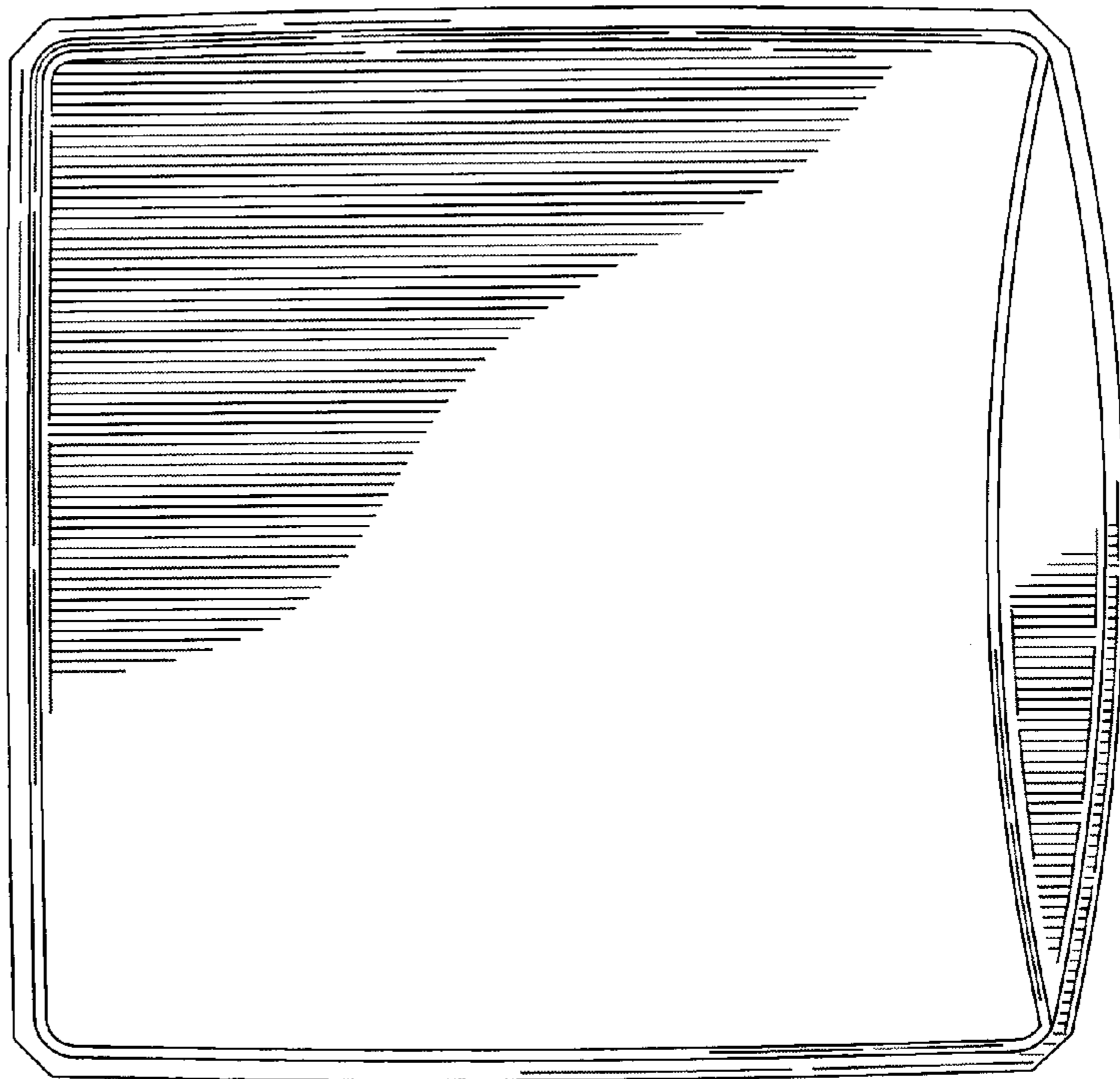


FIG. 5

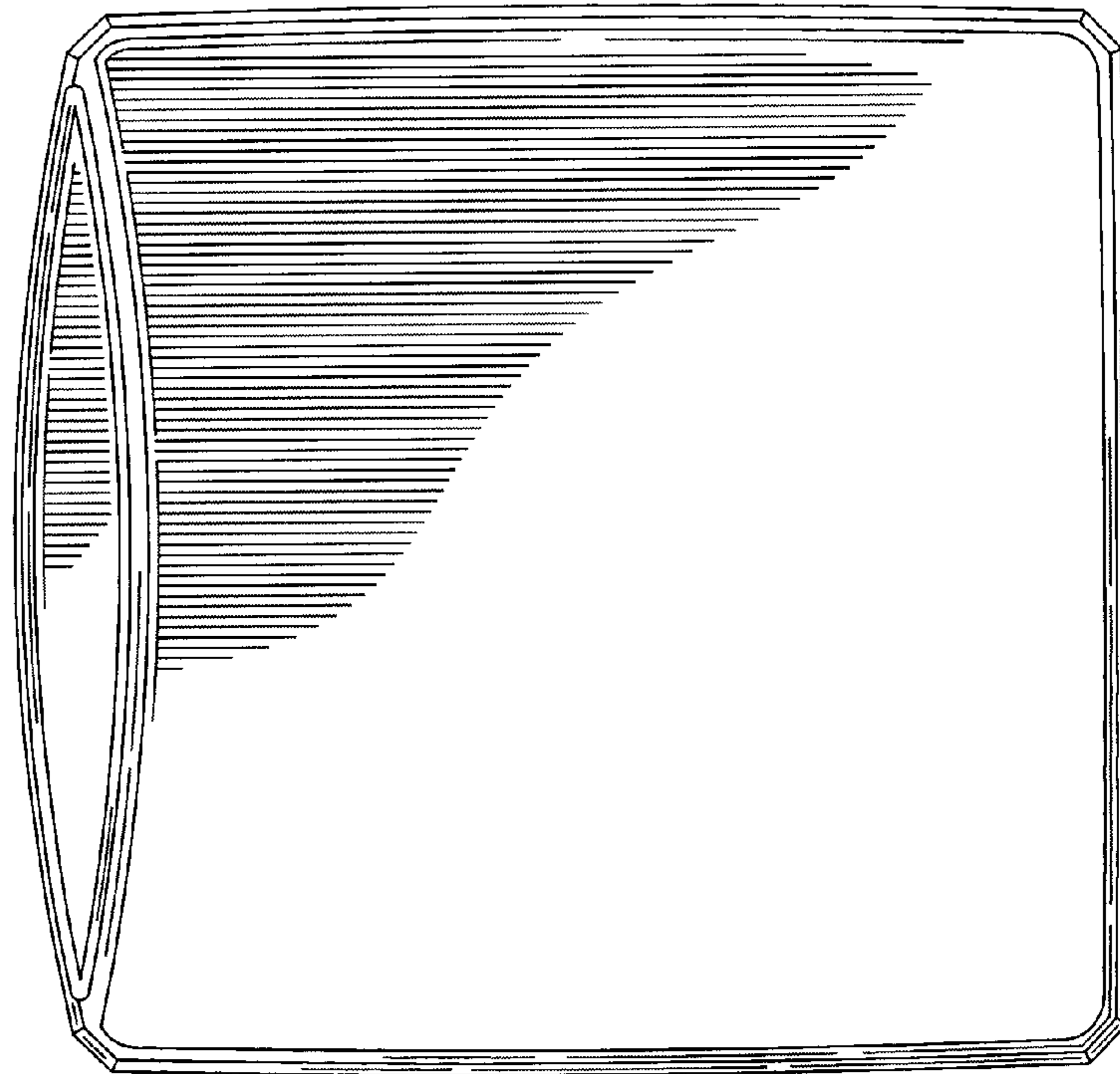


FIG. 6

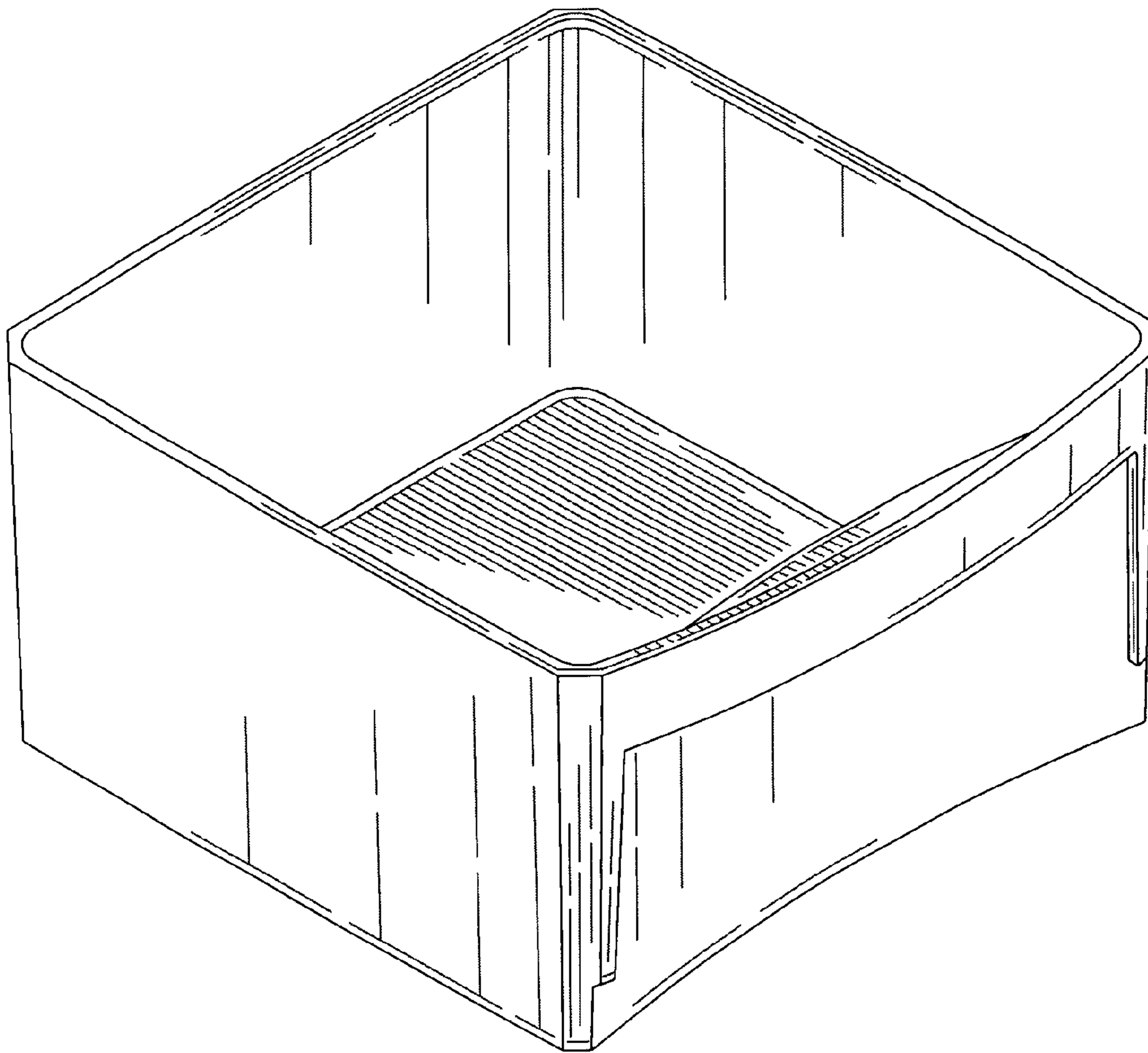


FIG. 7

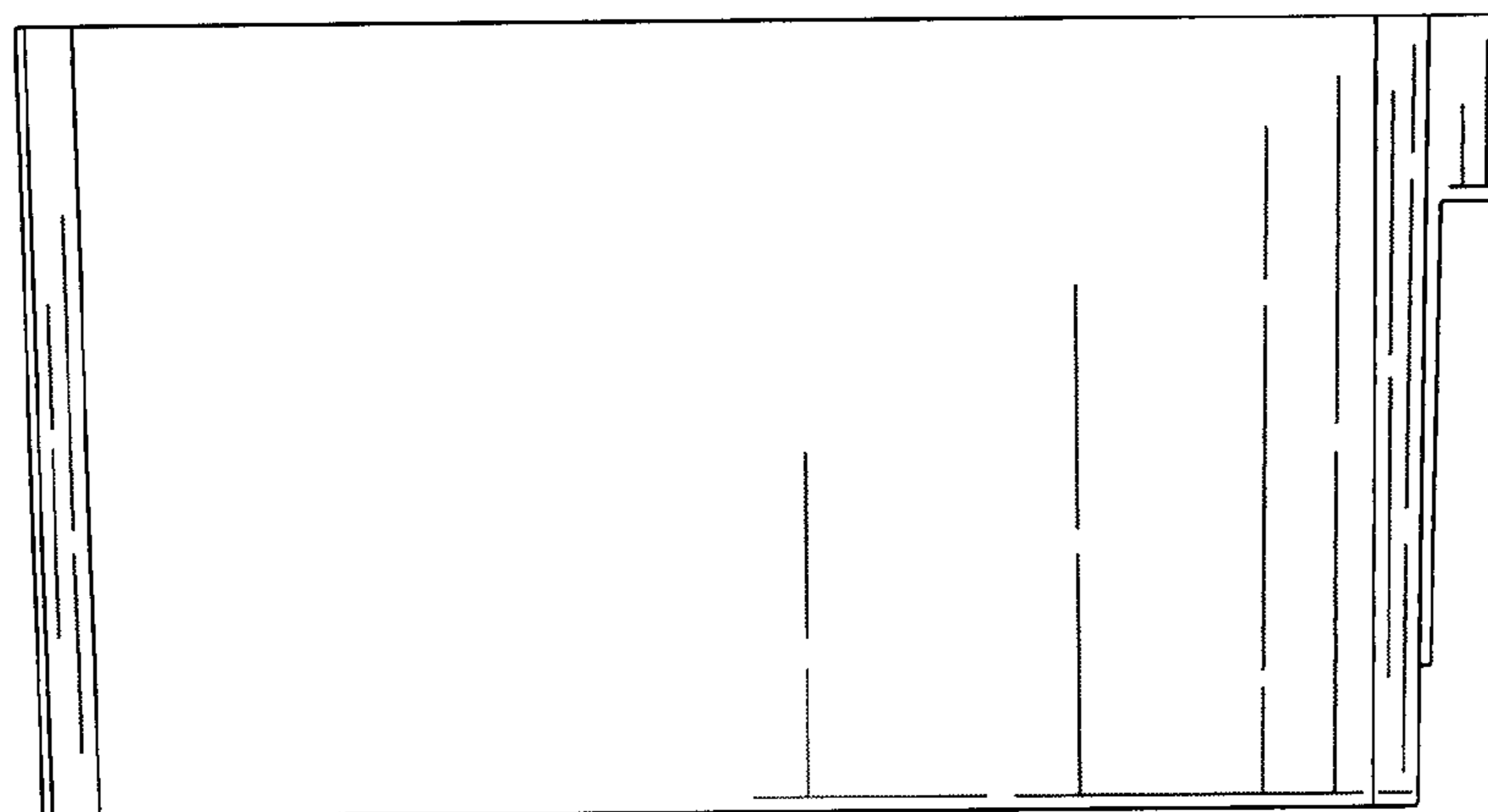


FIG. 10

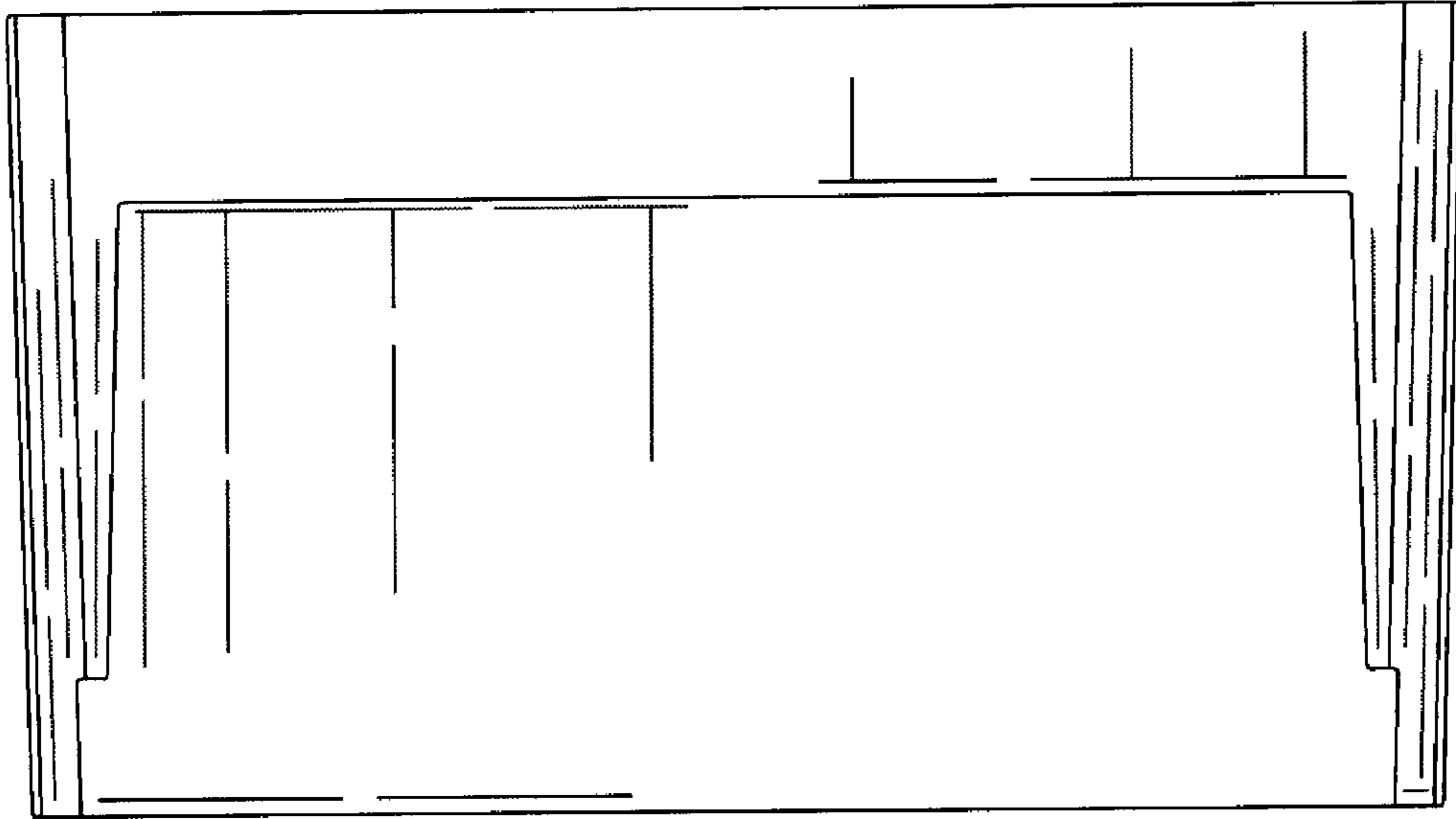


FIG. 8

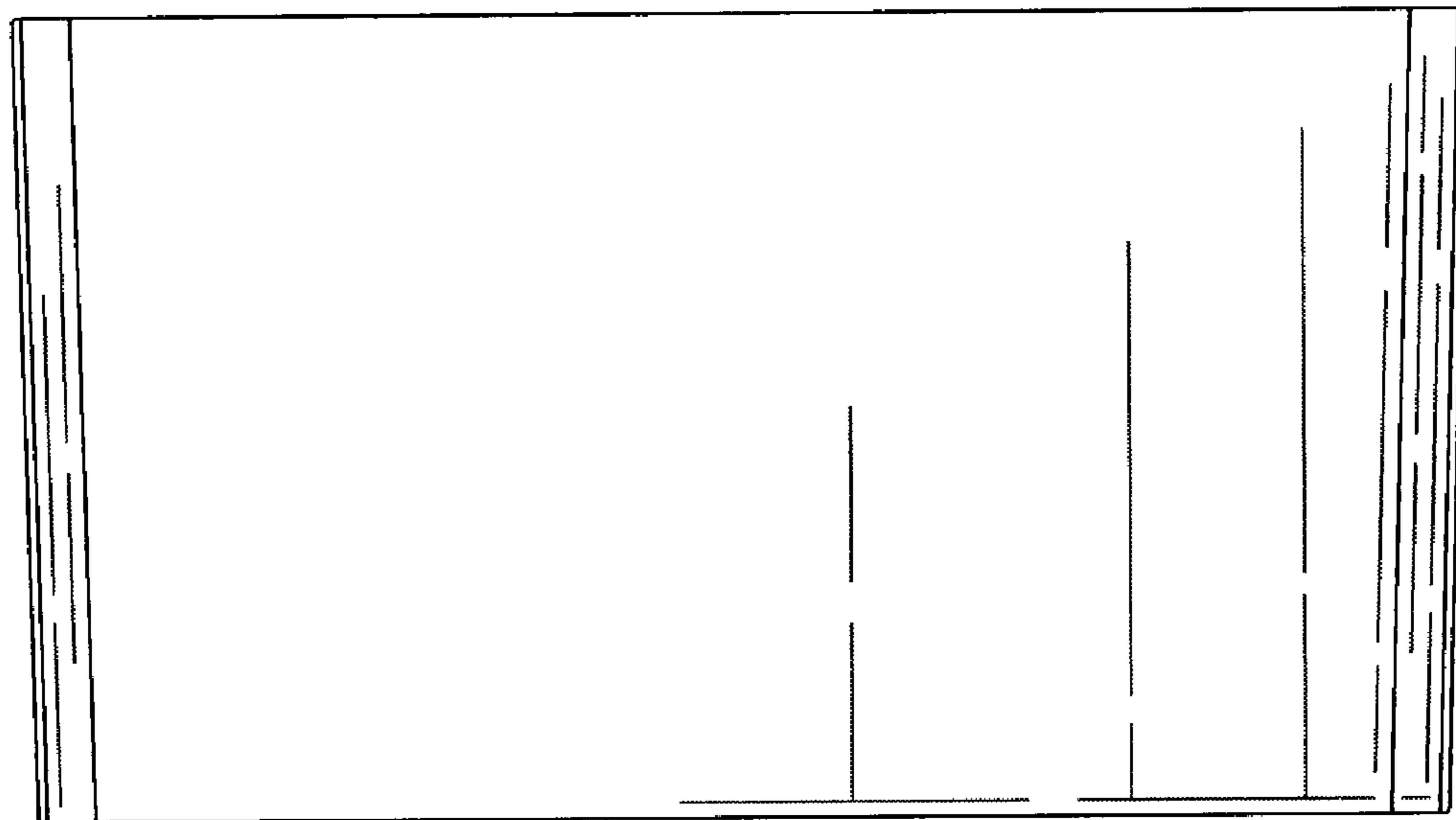


FIG. 9

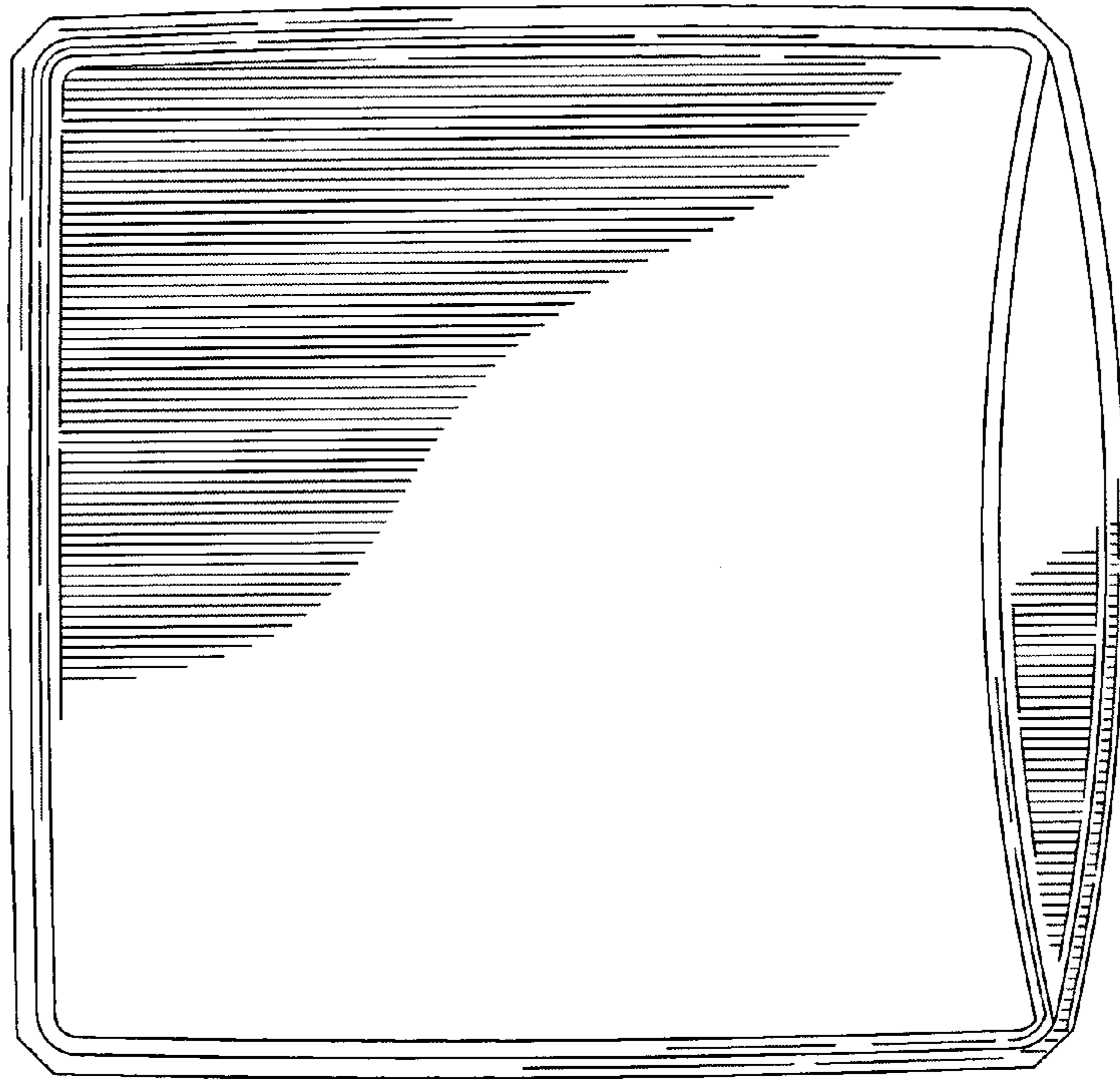


FIG. 11

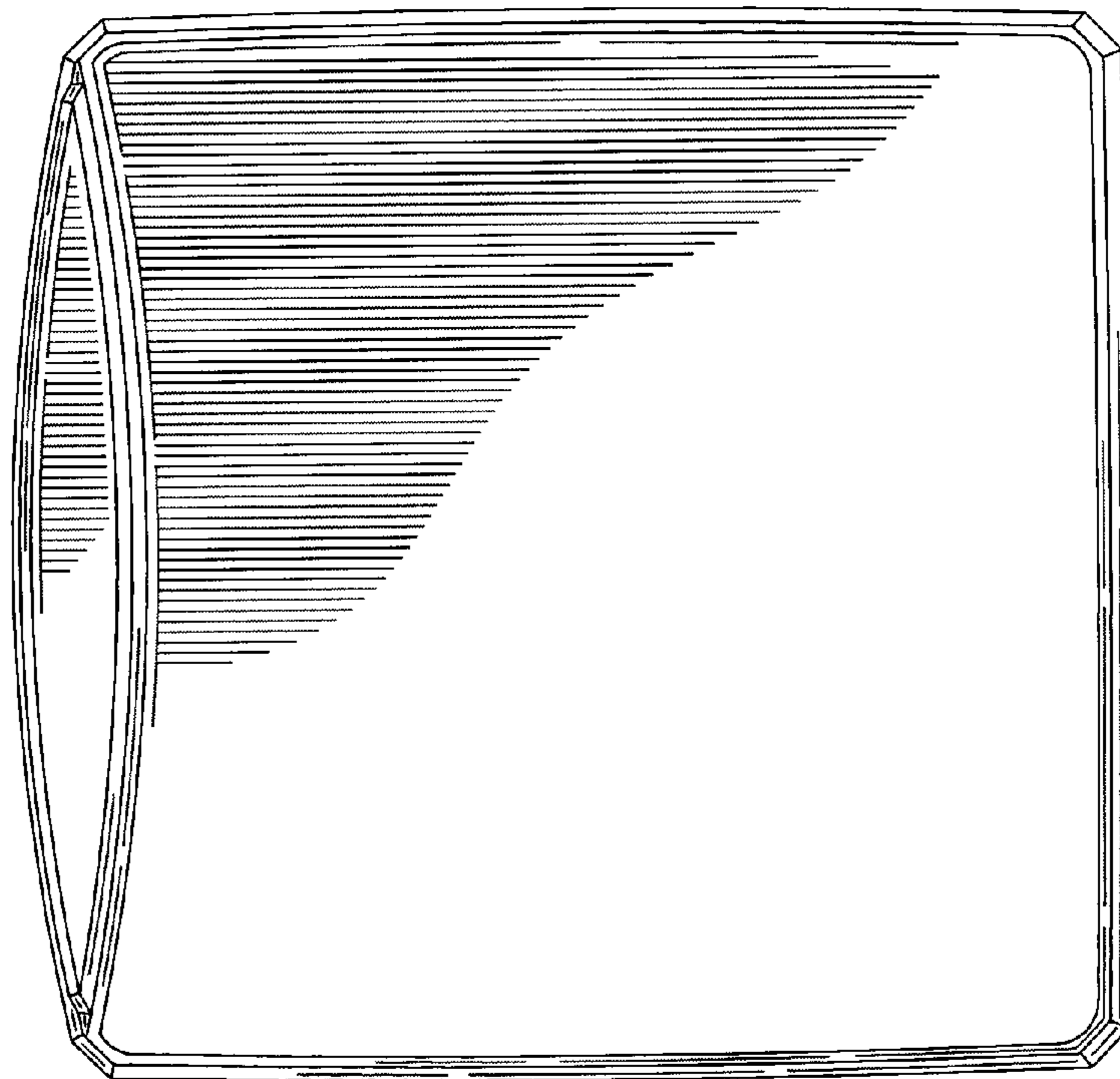


FIG. 12

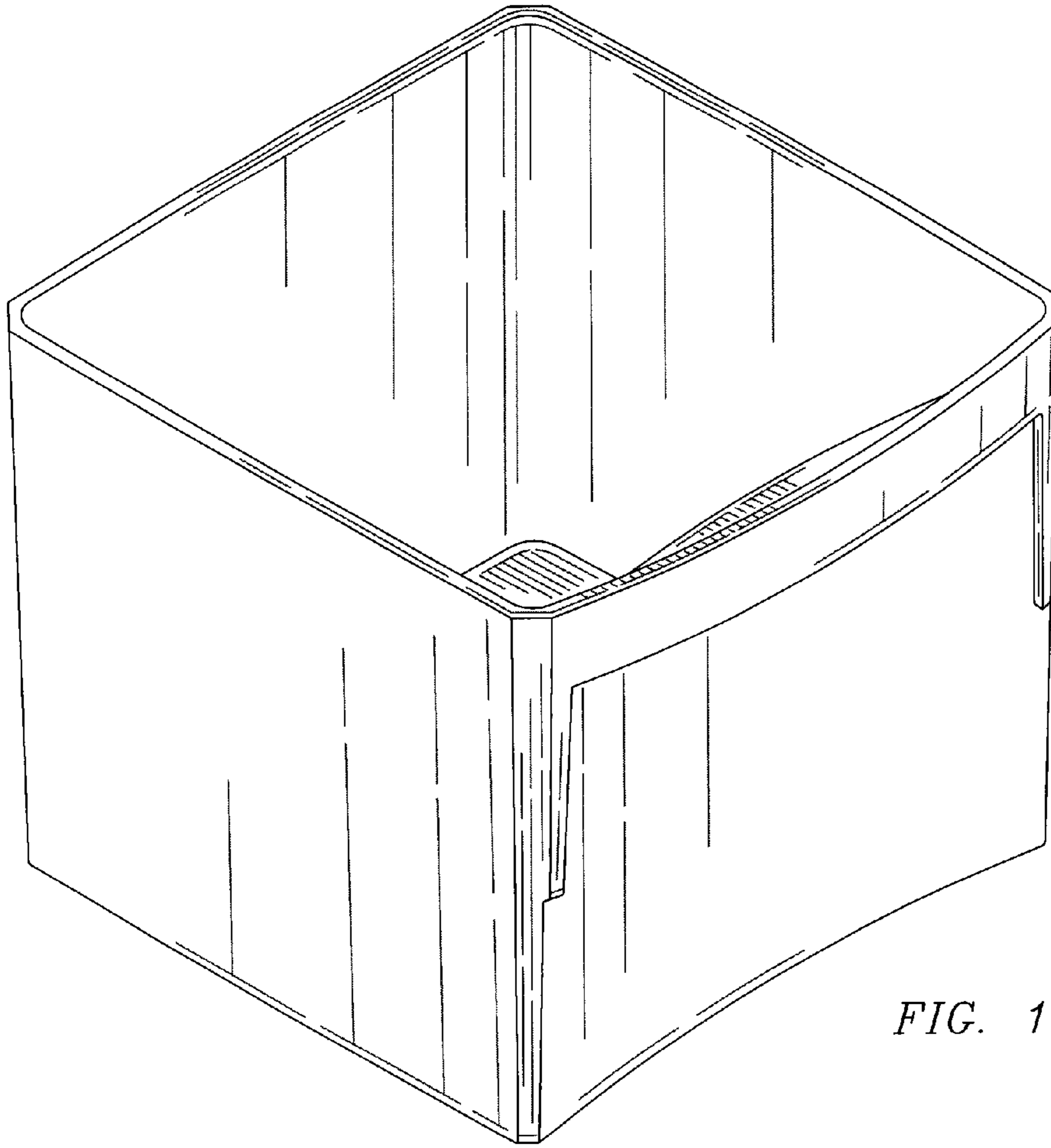


FIG. 13

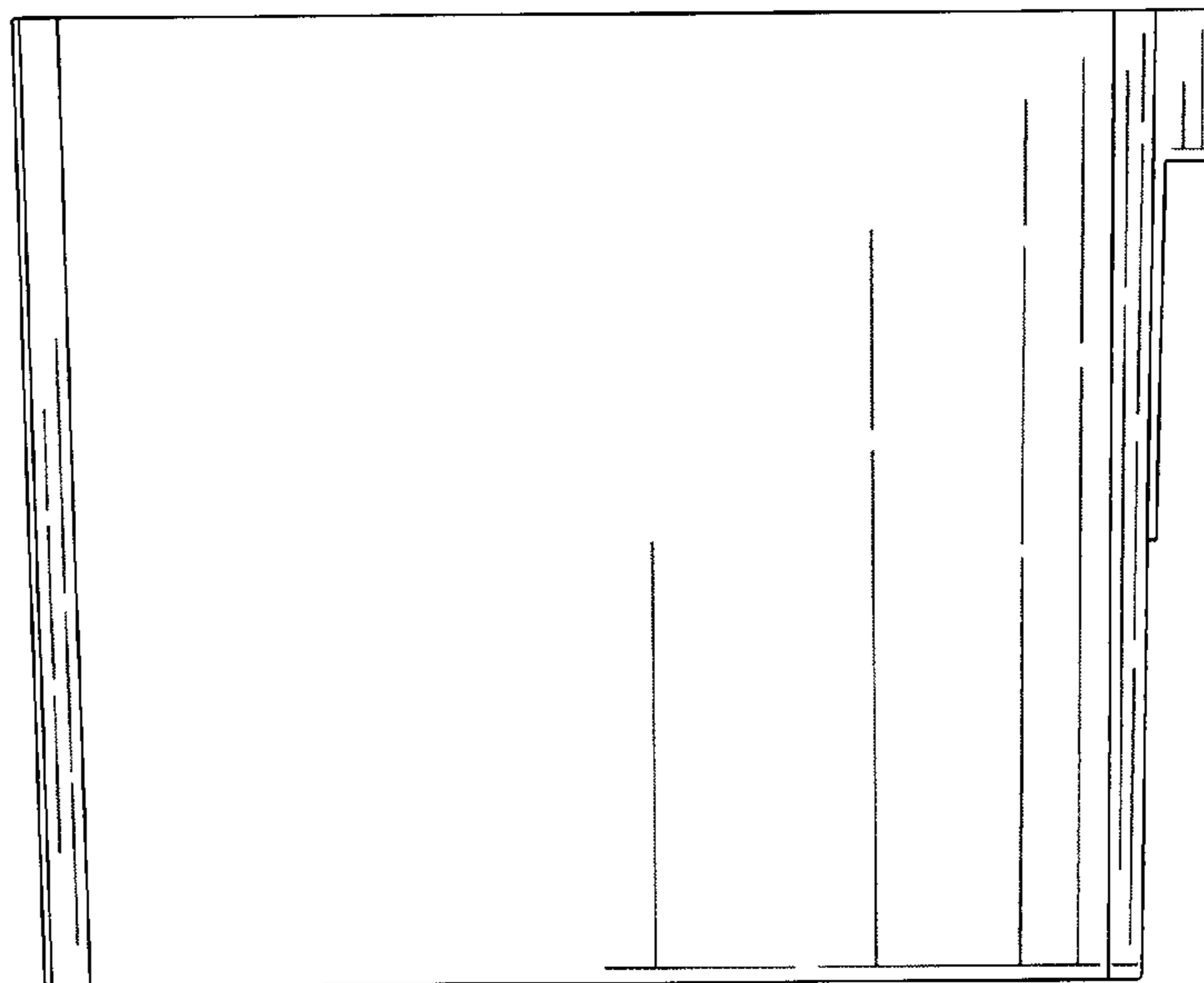


FIG. 16

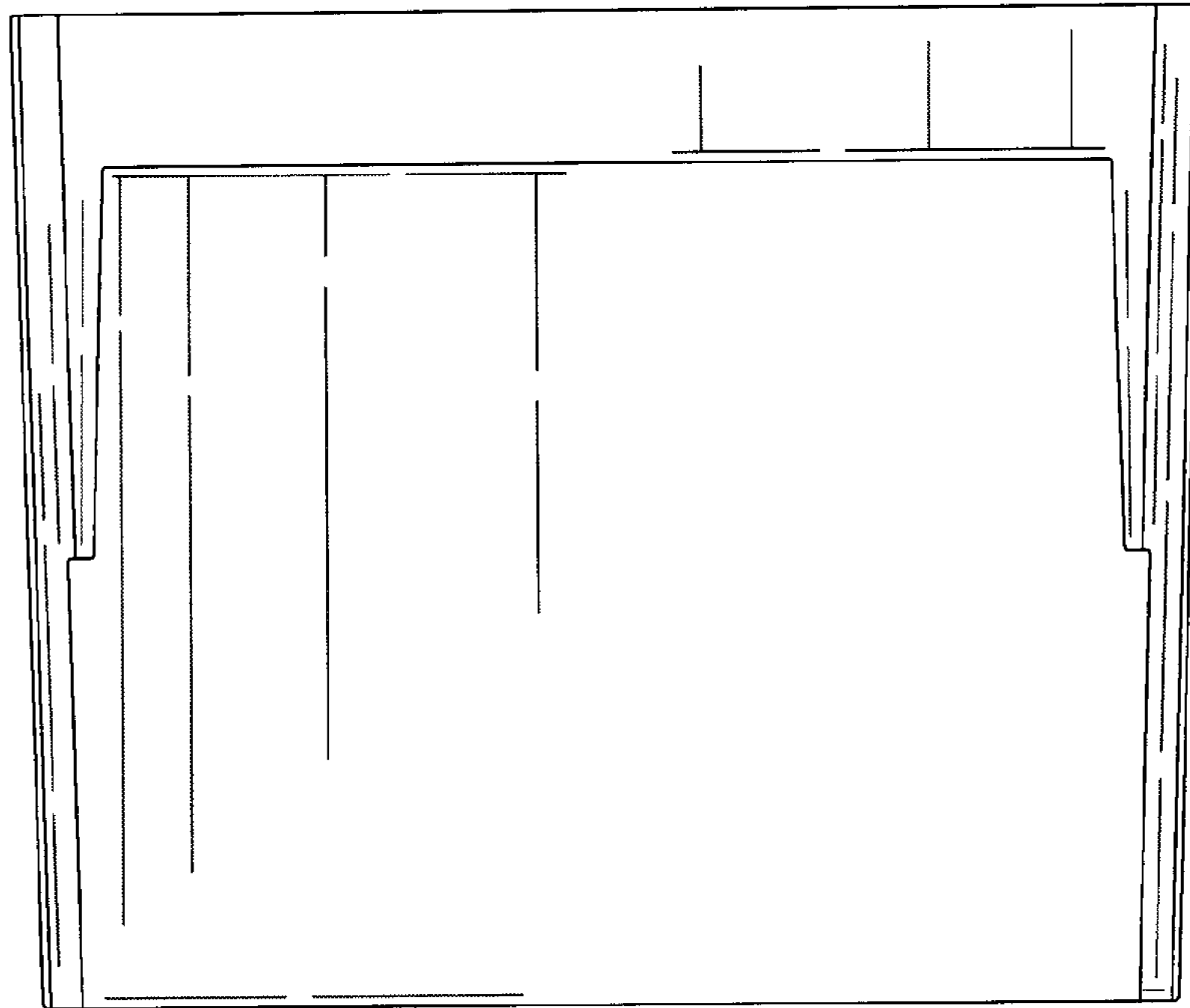


FIG. 14

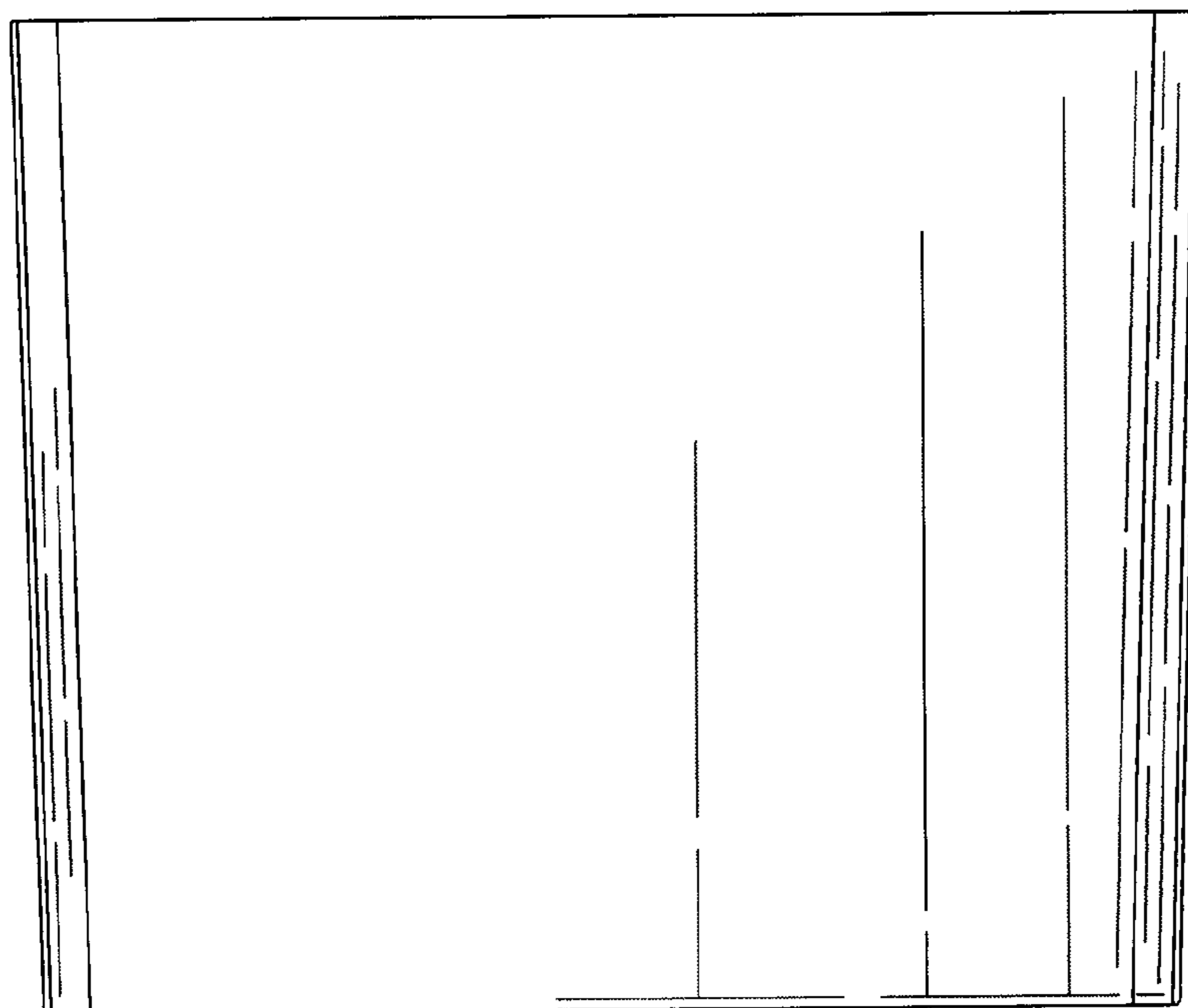


FIG. 15

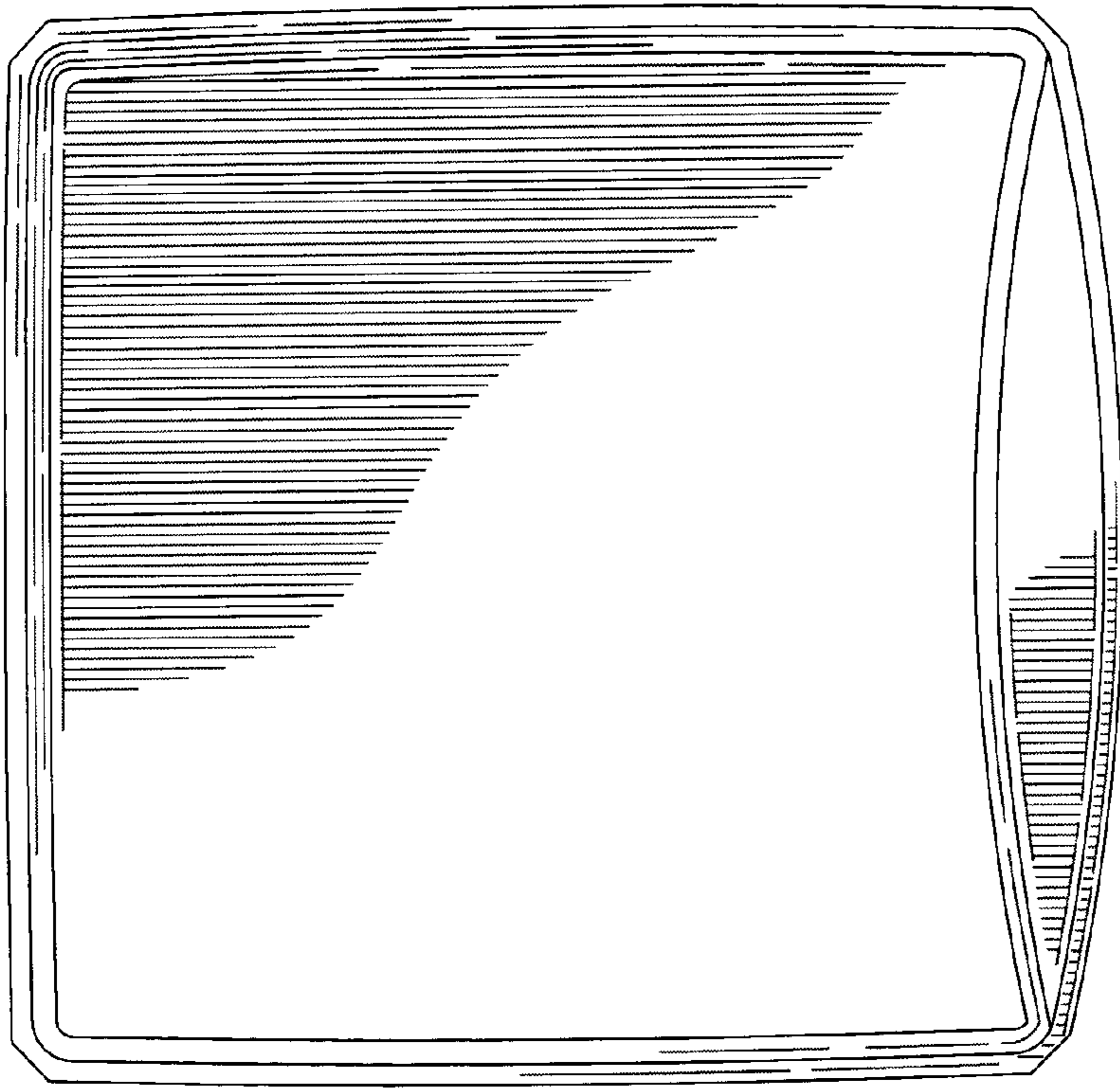


FIG. 17

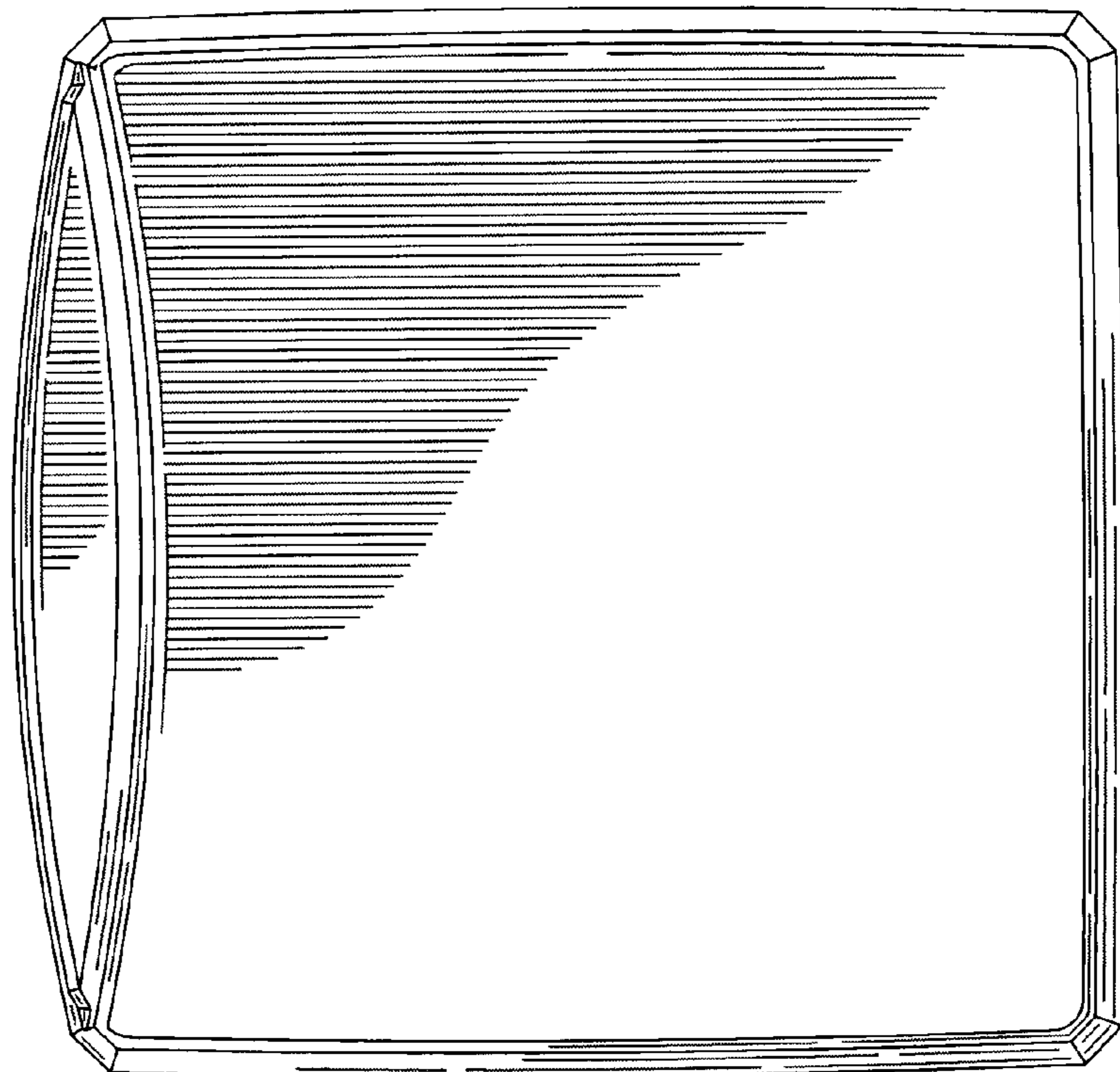


FIG. 18

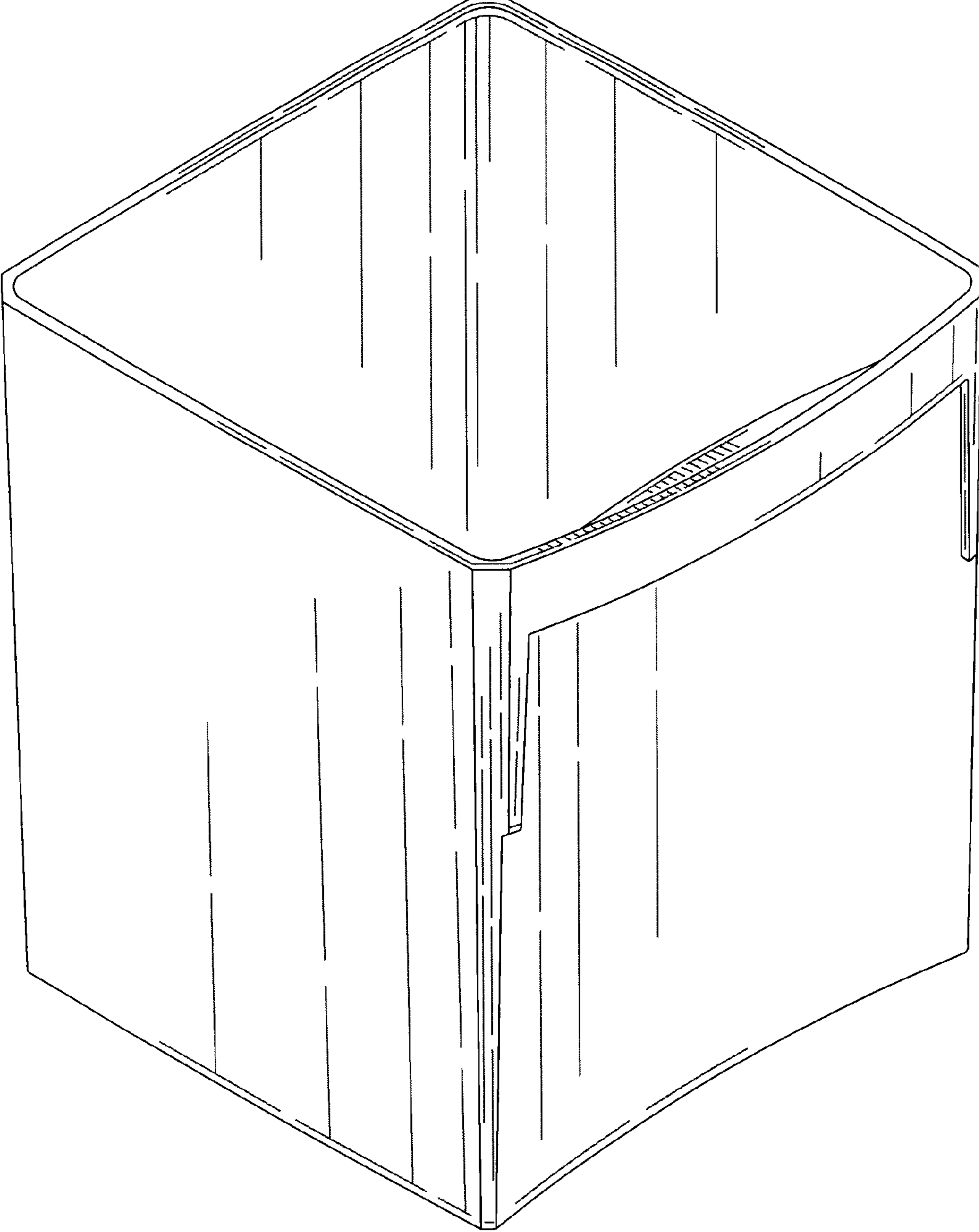


FIG. 19

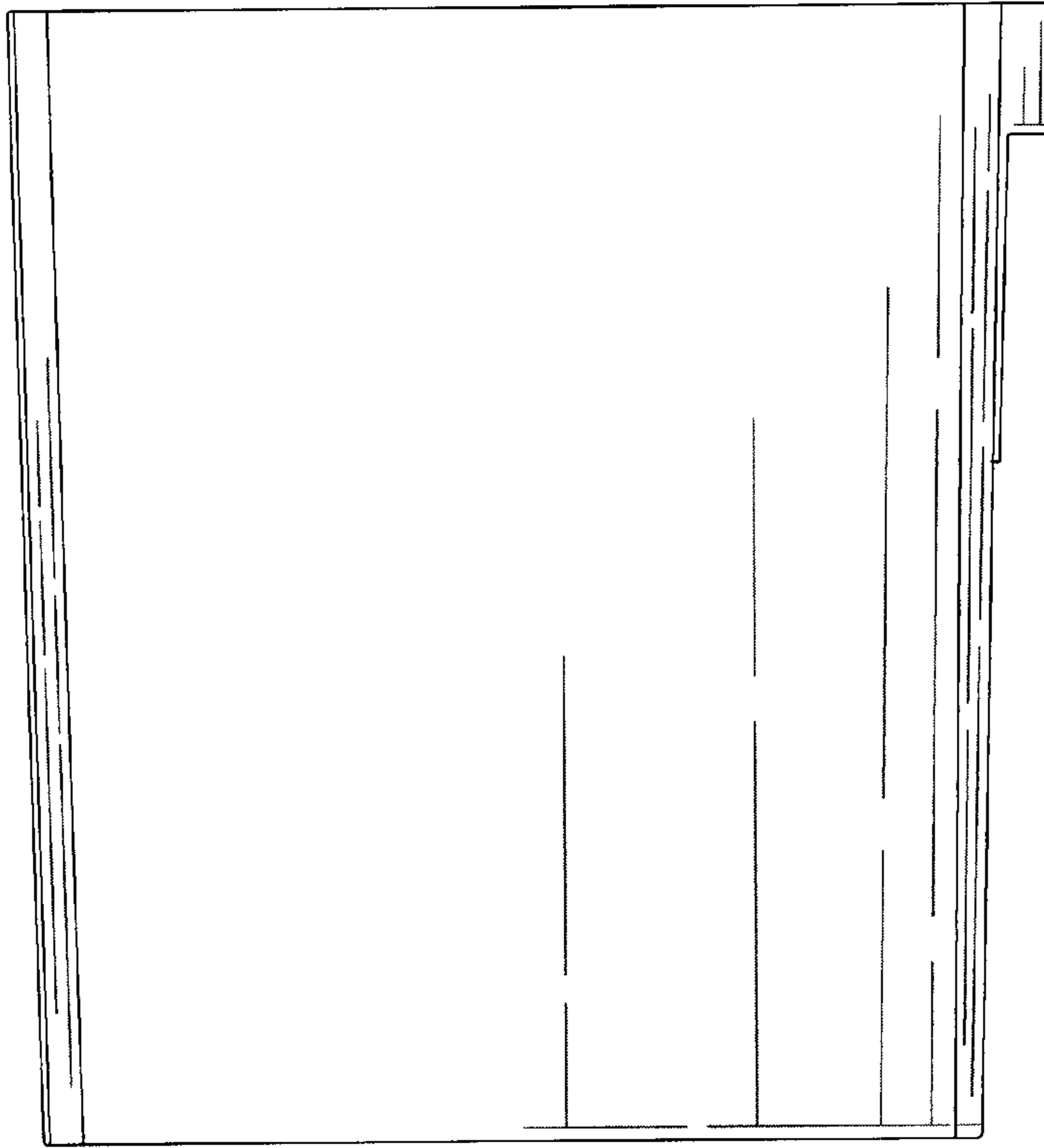


FIG. 22

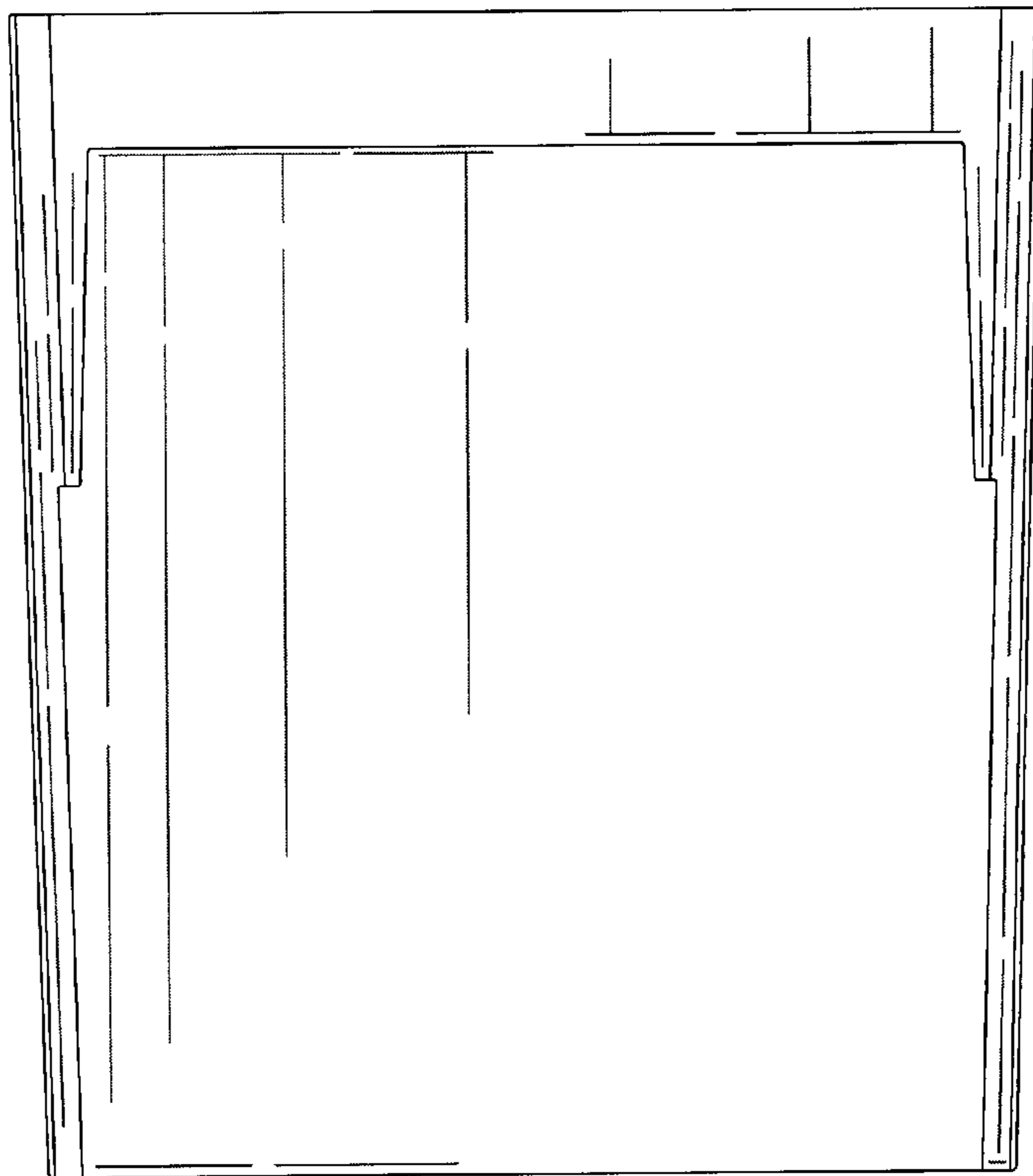


FIG. 20

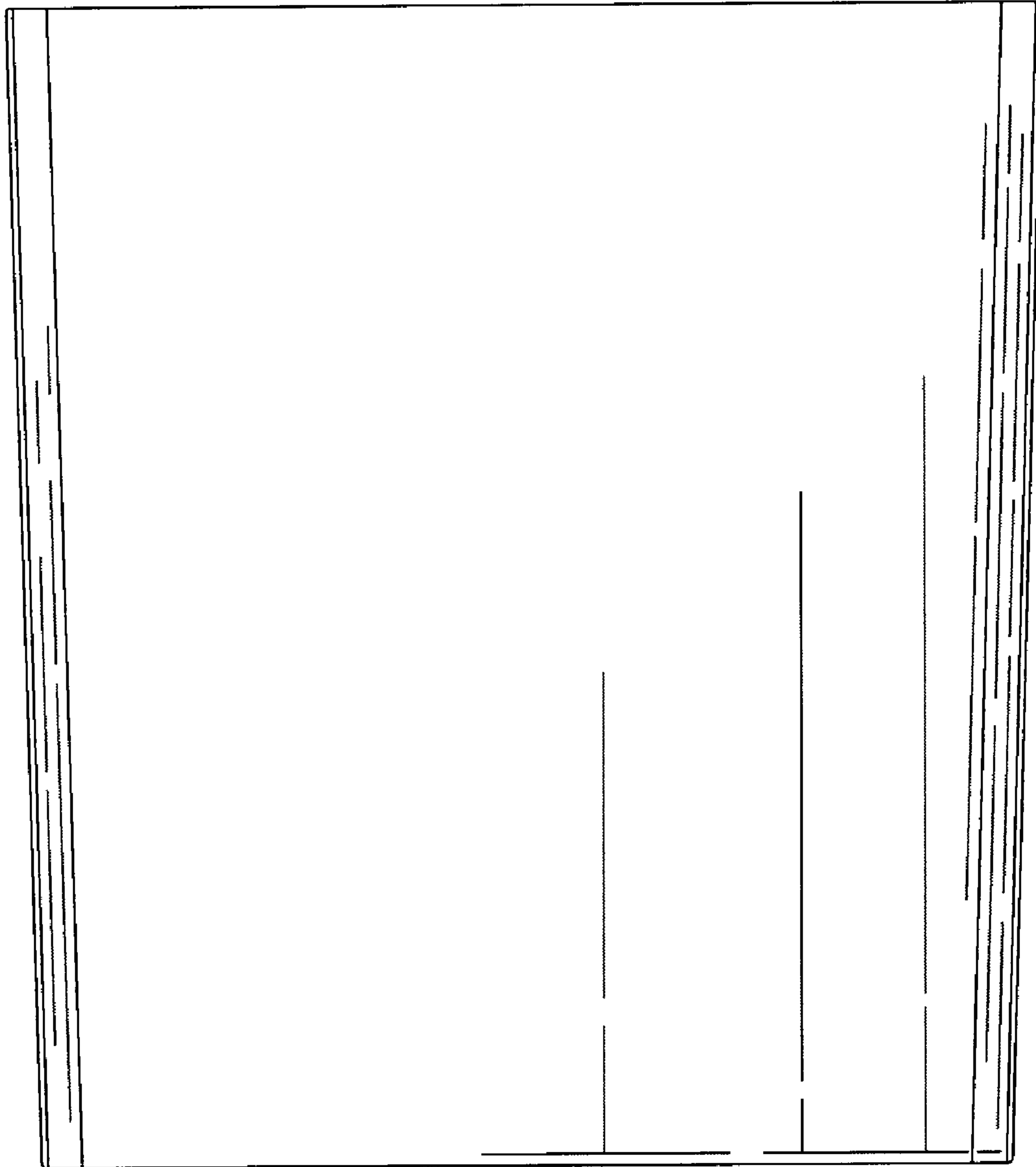


FIG. 21

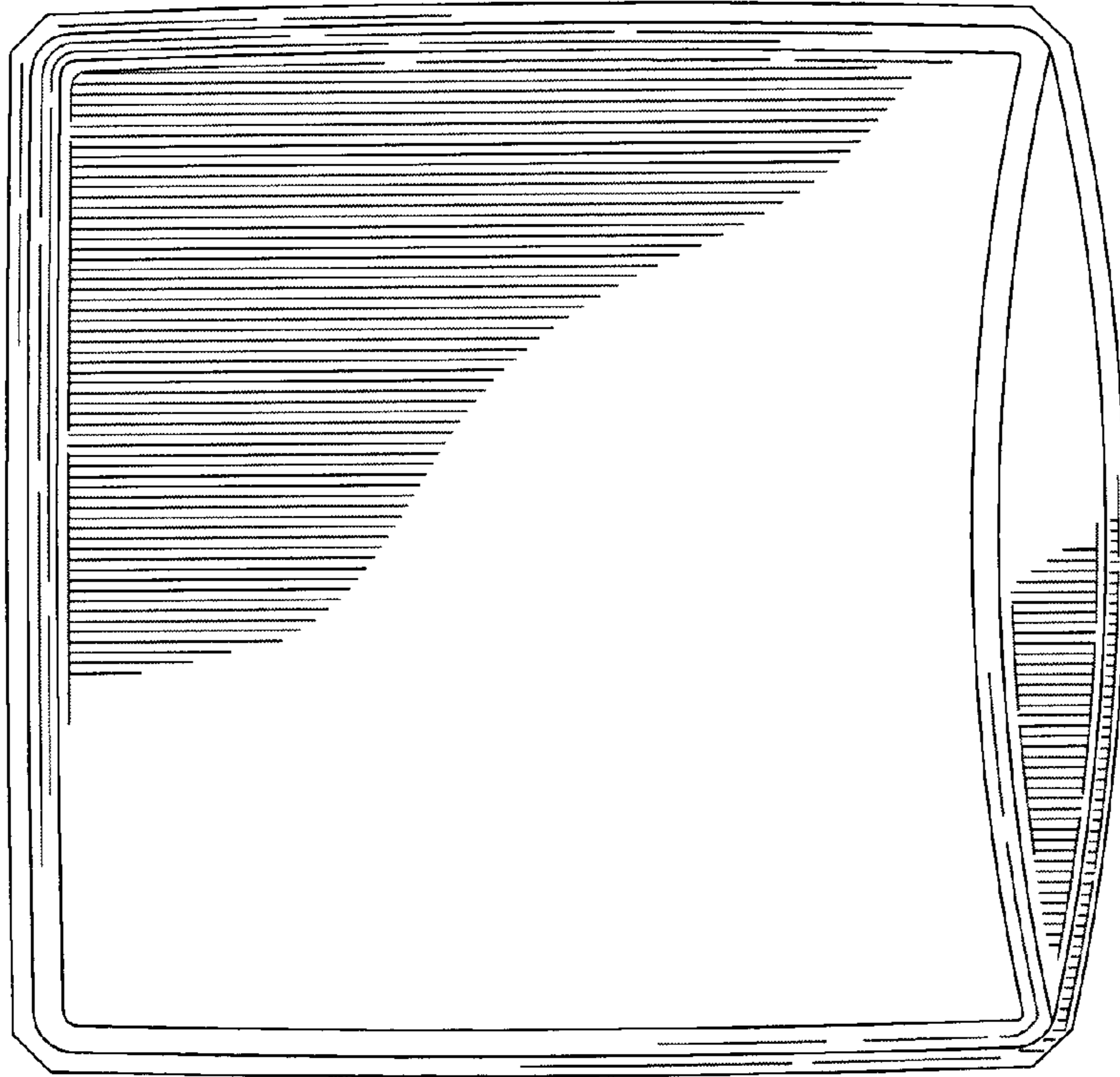


FIG. 23

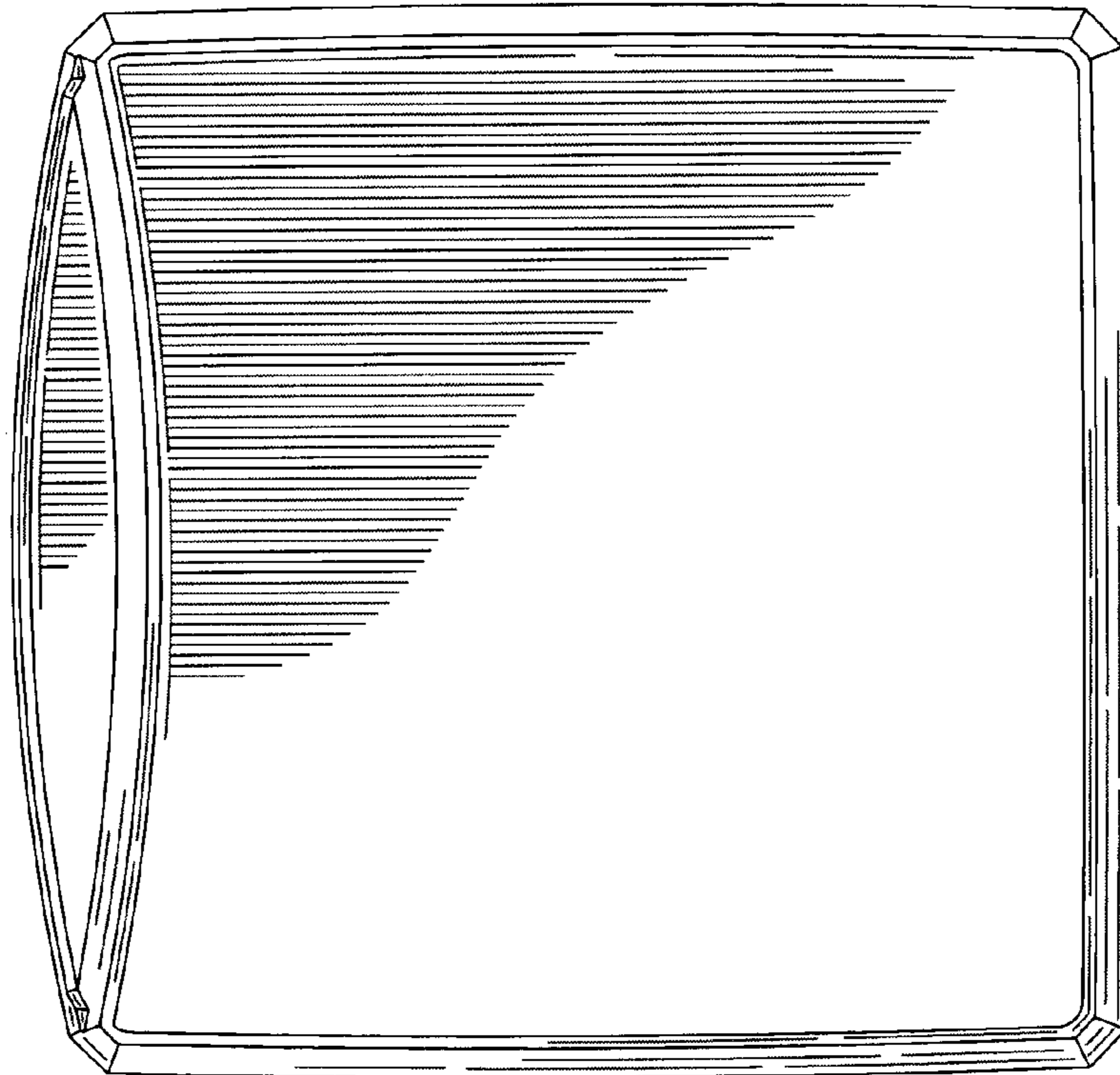


FIG. 24