



US00D512265S

(12) **United States Design Patent**
McCurrach

(10) **Patent No.:** **US D512,265 S**
(45) **Date of Patent:** **** Dec. 6, 2005**

(54) **BLENDER**

(75) **Inventor:** **Jamie Craig McCurrach, Amersfoort (NL)**

(73) **Assignee:** **Koninklijke Philips Electronics, N.V., Eindhoven (NL)**

(**) **Term:** **14 Years**

(21) **Appl. No.:** **29/207,189**

(22) **Filed:** **Jun. 9, 2004**

(30) **Foreign Application Priority Data**

Dec. 19, 2003 (EM) 118377

(51) **LOC (8) Cl.** **31-00**

(52) **U.S. Cl.** **D7/378**

(58) **Field of Search** D7/376-386, 412, D7/413, 665; 241/30, 33, 37.5, 101.01-101.2, 166-169.1, 274-278.2, 282.1, 282.2, 285.1-285.3, 291, 292.1, 301; 366/64-67, 98, 100, 129, 130, 197-201, 205-207, 219-221, 241-254, 279-292, 325.94, 330.4, 341-343; 426/565; 99/509-511

(56) **References Cited**

U.S. PATENT DOCUMENTS

D440,813 S	*	4/2001	Gort-Barten	D7/378
D445,635 S	*	7/2001	Gort-Barten	D7/378
D473,100 S	*	4/2003	Sakai et al.	D7/378
D499,602 S	*	12/2004	Feil	D7/378

* cited by examiner

Primary Examiner—Caron D. Veynar

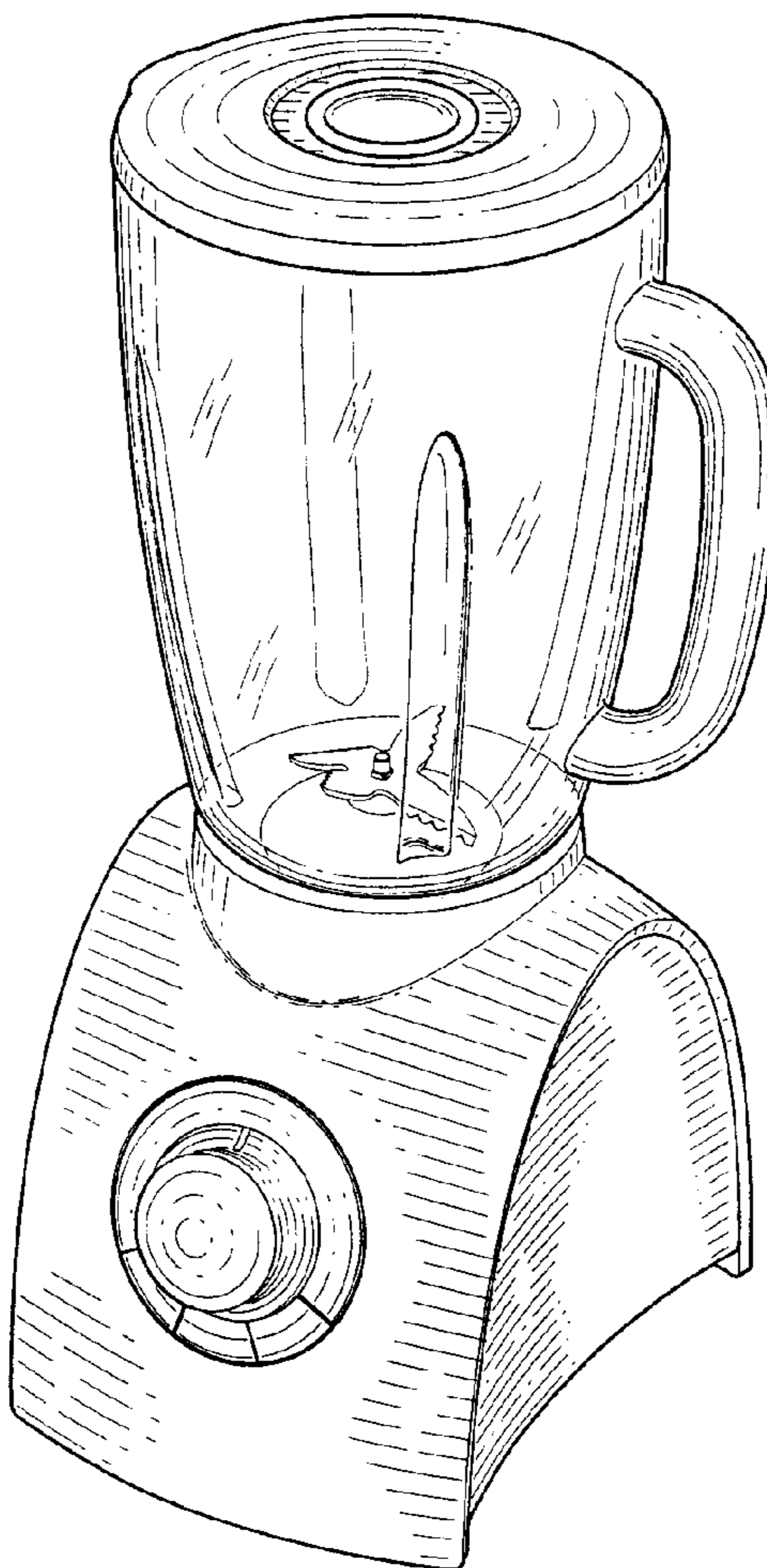
(57) **CLAIM**

The ornamental design for a blender, as shown.

DESCRIPTION

FIG. 1 is a perspective view showing my design; FIG. 2 is a front elevational view thereof; FIG. 3 is a rear elevational view thereof; FIG. 4 is a right side elevational view thereof; FIG. 5 is a left side elevational view thereof; FIG. 6 is a top plan view thereof; and, FIG. 7 is a bottom plan view thereof.

1 Claim, 4 Drawing Sheets



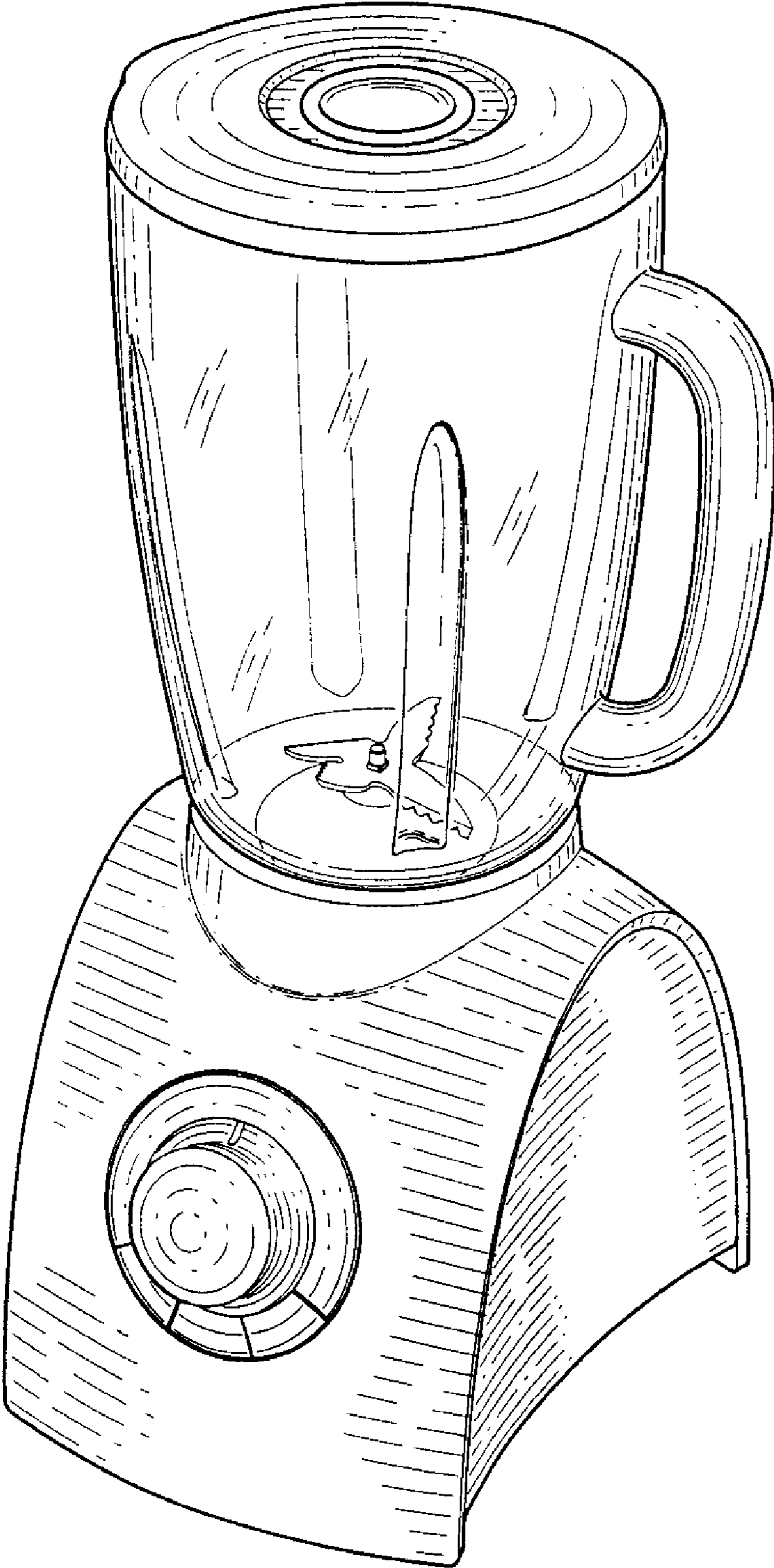


FIG. 1

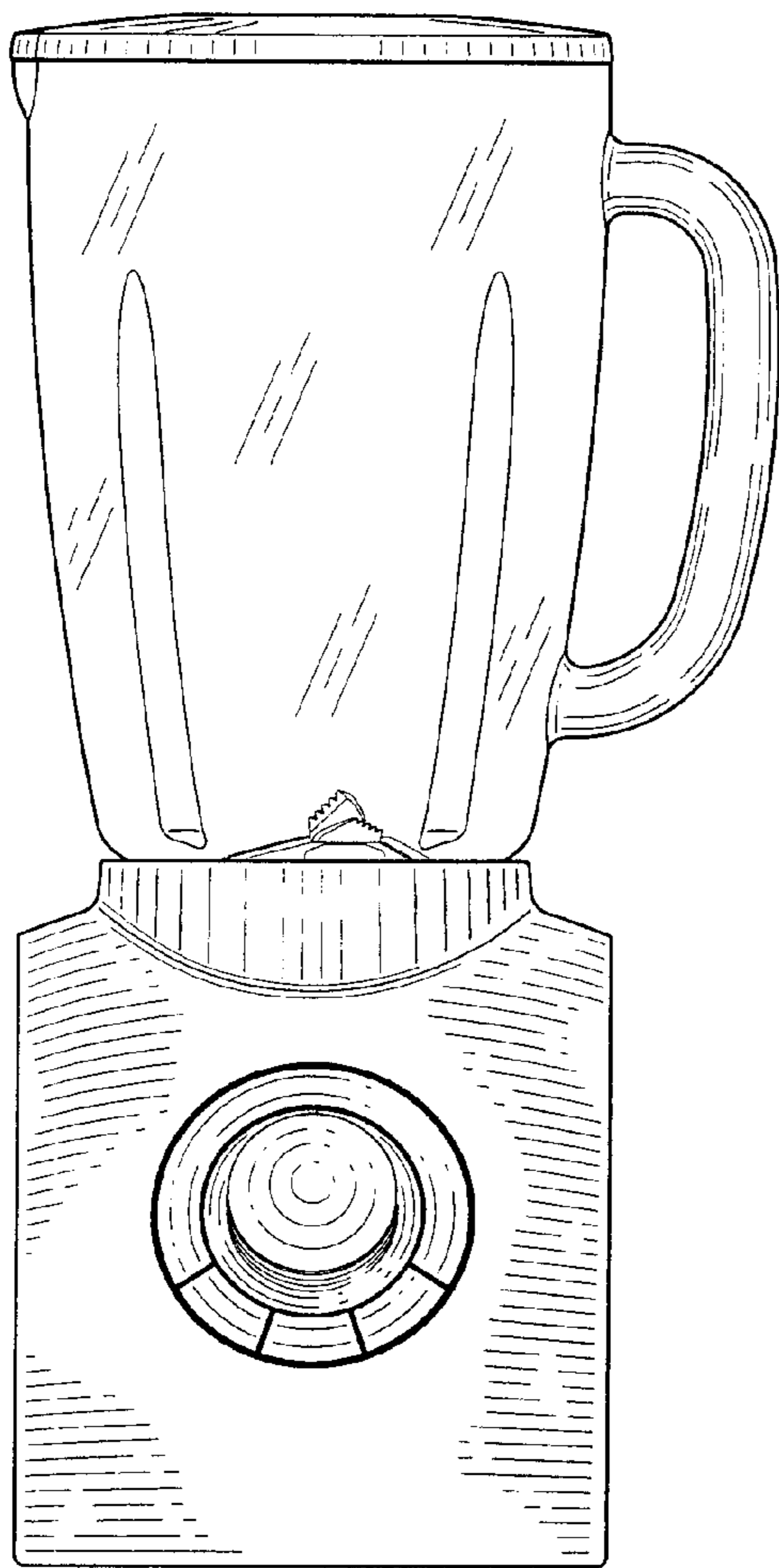


FIG.2

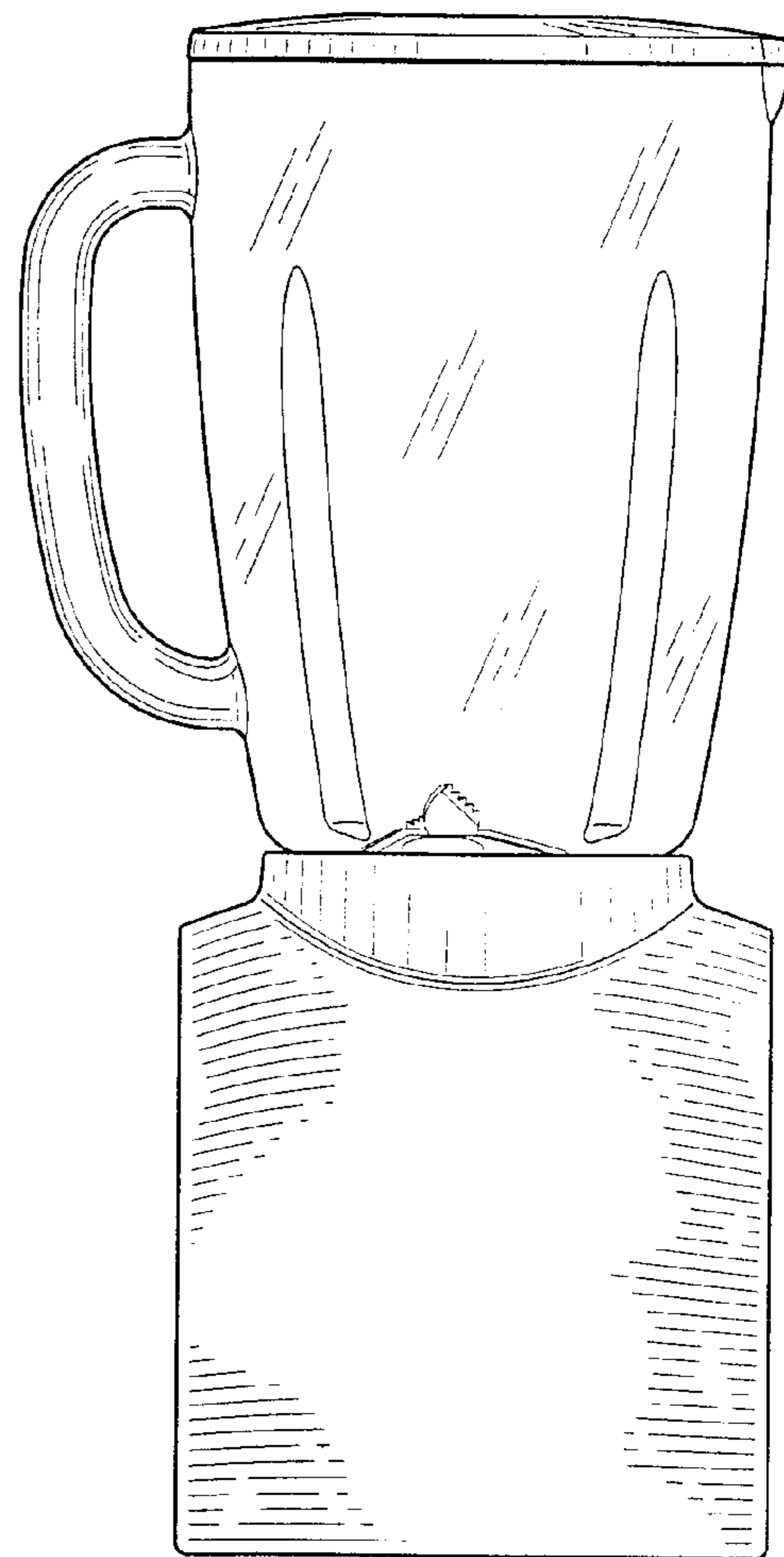


FIG.3

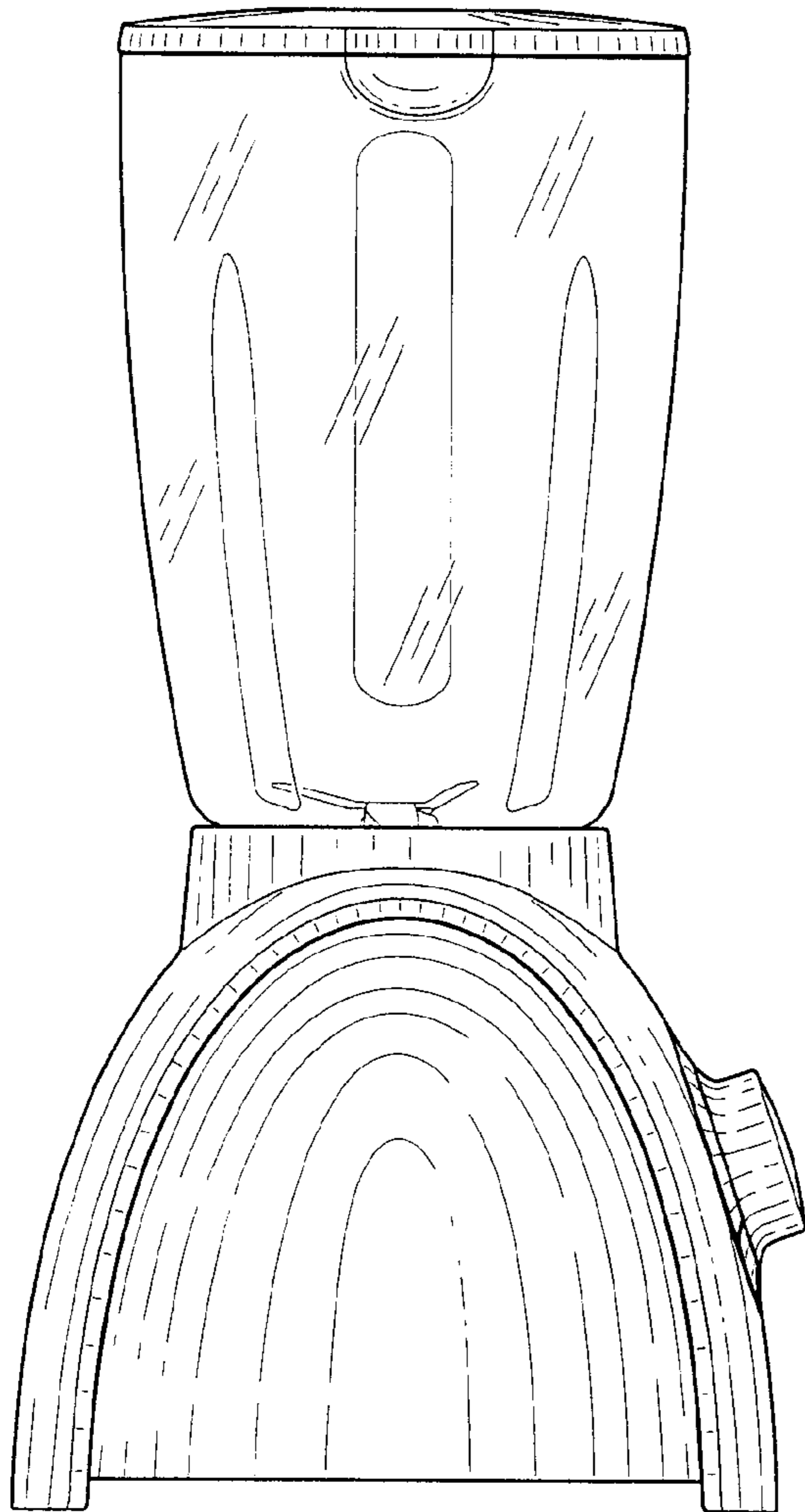


FIG. 4

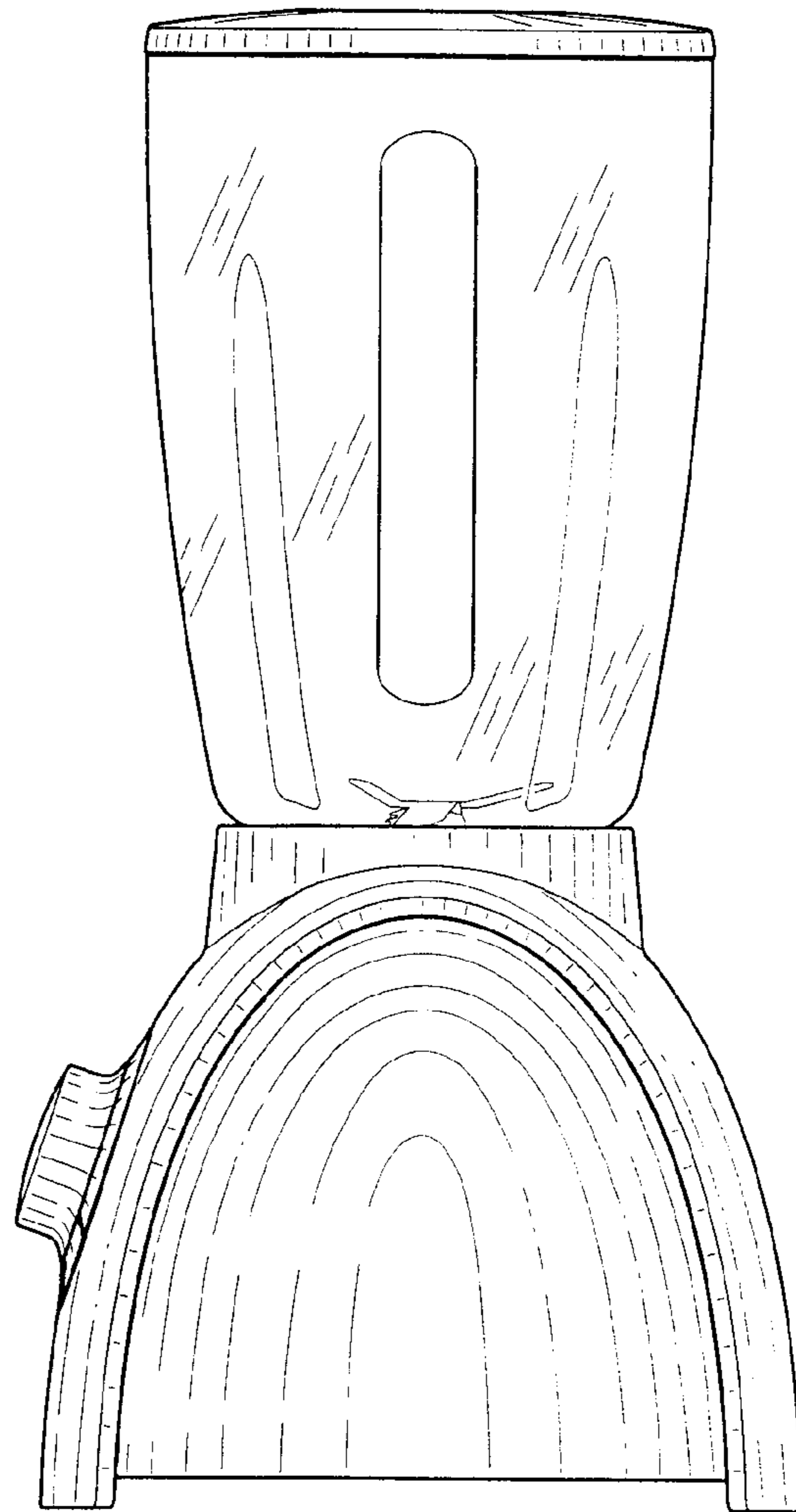


FIG. 5

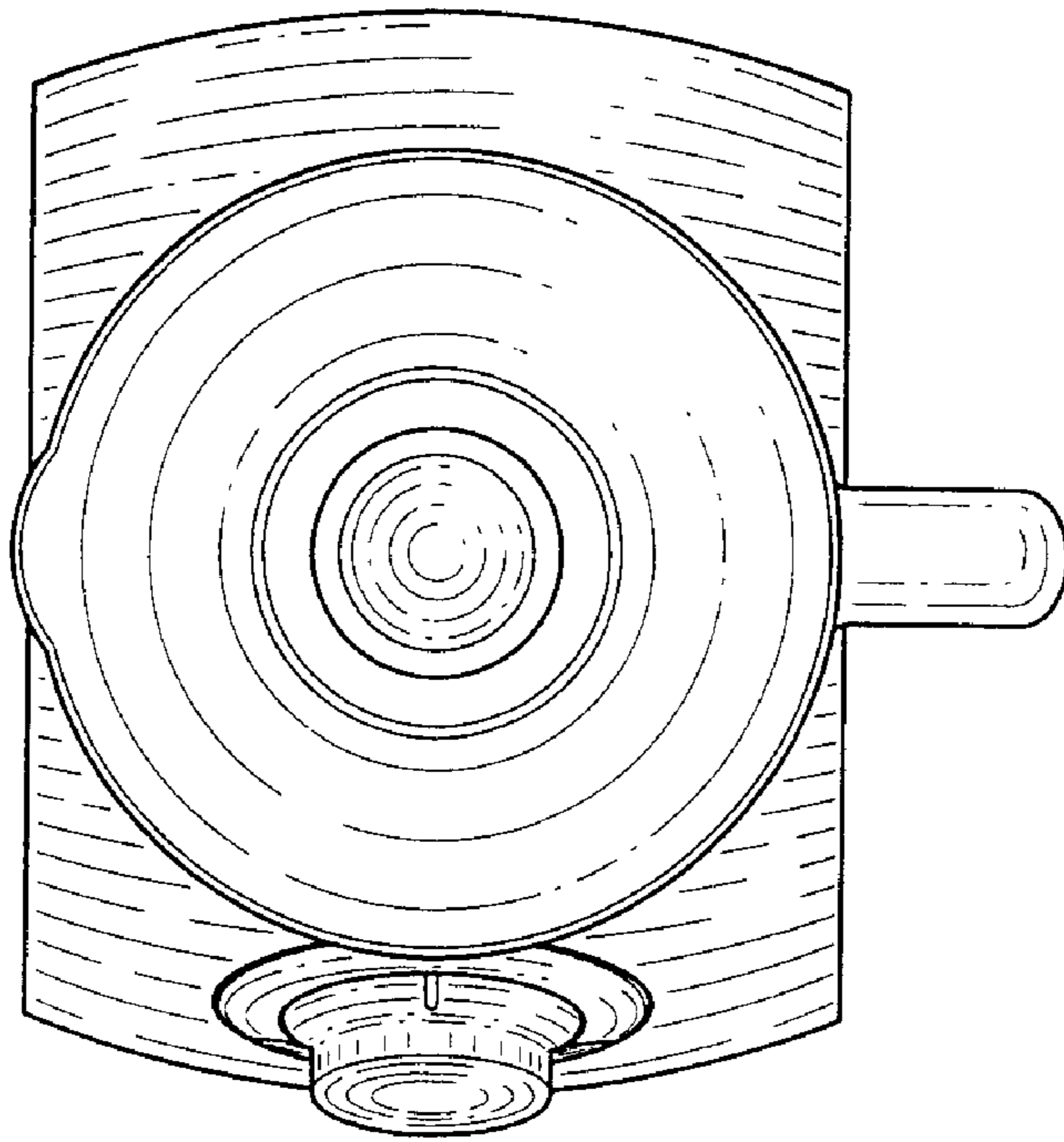


FIG. 6

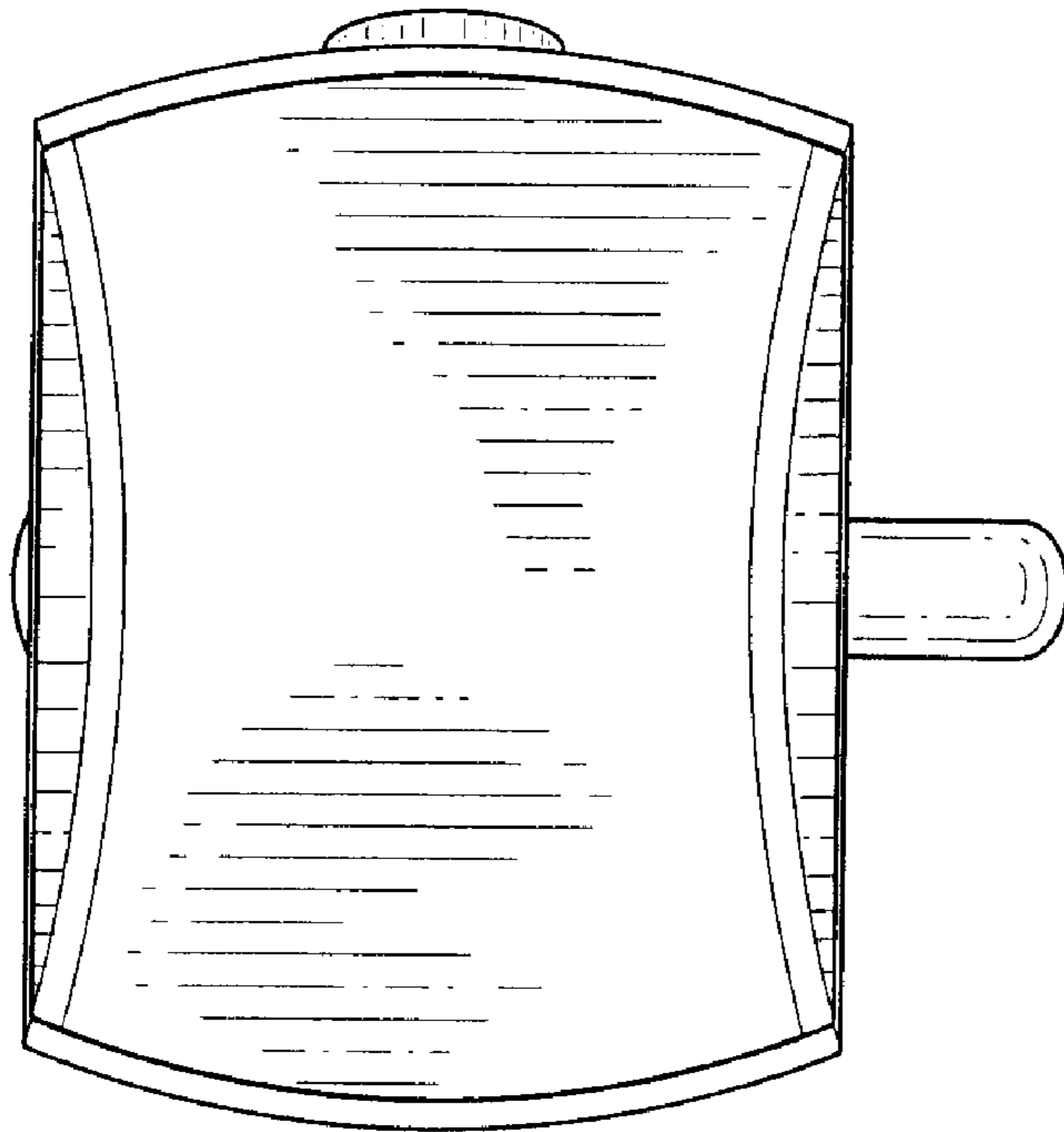


FIG. 7