



US00D512264S

(12) **United States Design Patent**
May et al.

(10) **Patent No.: US D512,264 S**

(45) **Date of Patent: ** Dec. 6, 2005**

(54) **PORTABLE STOVE**

(75) Inventors: **Randall Lynn May**, Plano, TX (US);
Gary P. Israel, Lantana, TX (US);
Robert J. Gross, Addison, TX (US)

(73) Assignee: **The Erinkrann Corporation**, Dallas,
TX (US)

(**) Term: **14 Years**

(21) Appl. No.: **29/202,180**

(22) Filed: **Mar. 25, 2004**

(51) **LOC (8) Cl.** **07-02**

(52) **U.S. Cl.** **D7/337**

(58) **Field of Search** D7/362-367, 332,
D7/337, 402-404, 409, 360, 550.1, 554.3;
126/38, 25 R, 9 R, 9 B, 40, 44-45, 41 R;
219/443.1, 450.1, 451.1, 446.1, 452.11,
462.1, 432; 431/247, 344, 211; 99/422-423,
425, 445, 448, 450

(56) **References Cited**

U.S. PATENT DOCUMENTS

D235,959 S	*	7/1975	Allander	D7/337
3,933,146 A		1/1976	Hastings	126/38
D246,151 S	*	10/1977	Chan	D7/337
4,512,328 A	*	4/1985	Arad	126/37 B
5,197,454 A	*	3/1993	Lee	126/9 R
D336,008 S	*	6/1993	Kamata	D7/362
D350,256 S	*	9/1994	Wang	D7/367
D369,509 S	*	5/1996	Kaga et al.	D7/362
D371,716 S	*	7/1996	Jo	D7/337
D416,750 S	*	11/1999	Persson	D7/337

D424,364 S	*	5/2000	Persson	D7/337
D444,991 S	*	7/2001	Measom	D7/337
D447,664 S	*	9/2001	Stephens et al.	D7/337

* cited by examiner

Primary Examiner—Ruth McInroy

(74) *Attorney, Agent, or Firm*—Sheppard, Mullin, Richter
& Hampton LLP

(57) **CLAIM**

We claim the ornamental design for a portable stove, as
shown and described.

DESCRIPTION

FIG. 1 is a perspective view of a portable stove showing our
new design, the propane cylinder and legs shown in an
extended position;

FIG. 2 is a left side elevational view of FIG. 1, the right side
view being a mirror image;

FIG. 3 is a front elevational view of FIG. 1;

FIG. 4 is a rear elevational view of FIG. 1;

FIG. 5 is a top plan view of FIG. 1;

FIG. 6 is a bottom plan view of FIG. 1;

FIG. 7 is a perspective view thereof, showing the legs in a
folded position;

FIG. 8 is a right side elevational view of FIG. 7, the left side
being a mirror image;

FIG. 9 is a front elevational view of FIG. 7;

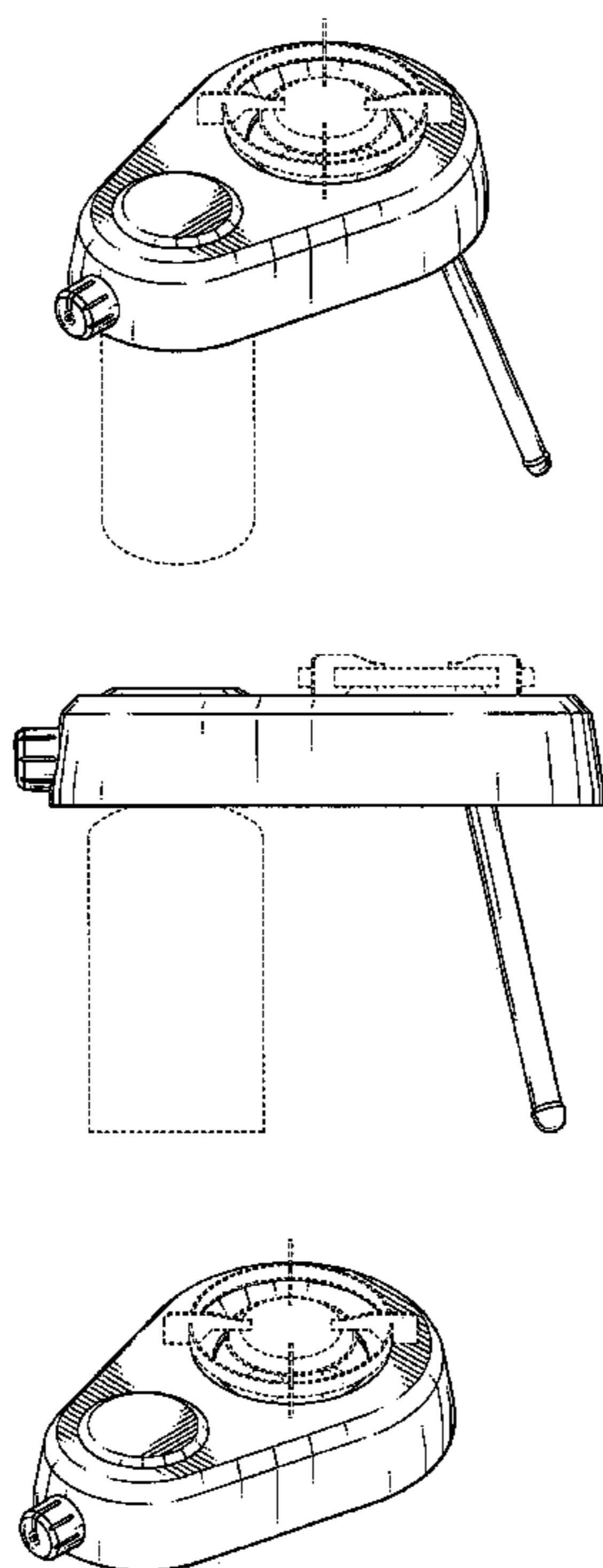
FIG. 10 is a rear elevational view of FIG. 7;

FIG. 11 is a top plan view of FIG. 7; and,

FIG. 12 is a bottom plan view of FIG. 7.

The dotted lines are for illustrative purposes only and form
no part of the claimed design.

1 Claim, 10 Drawing Sheets



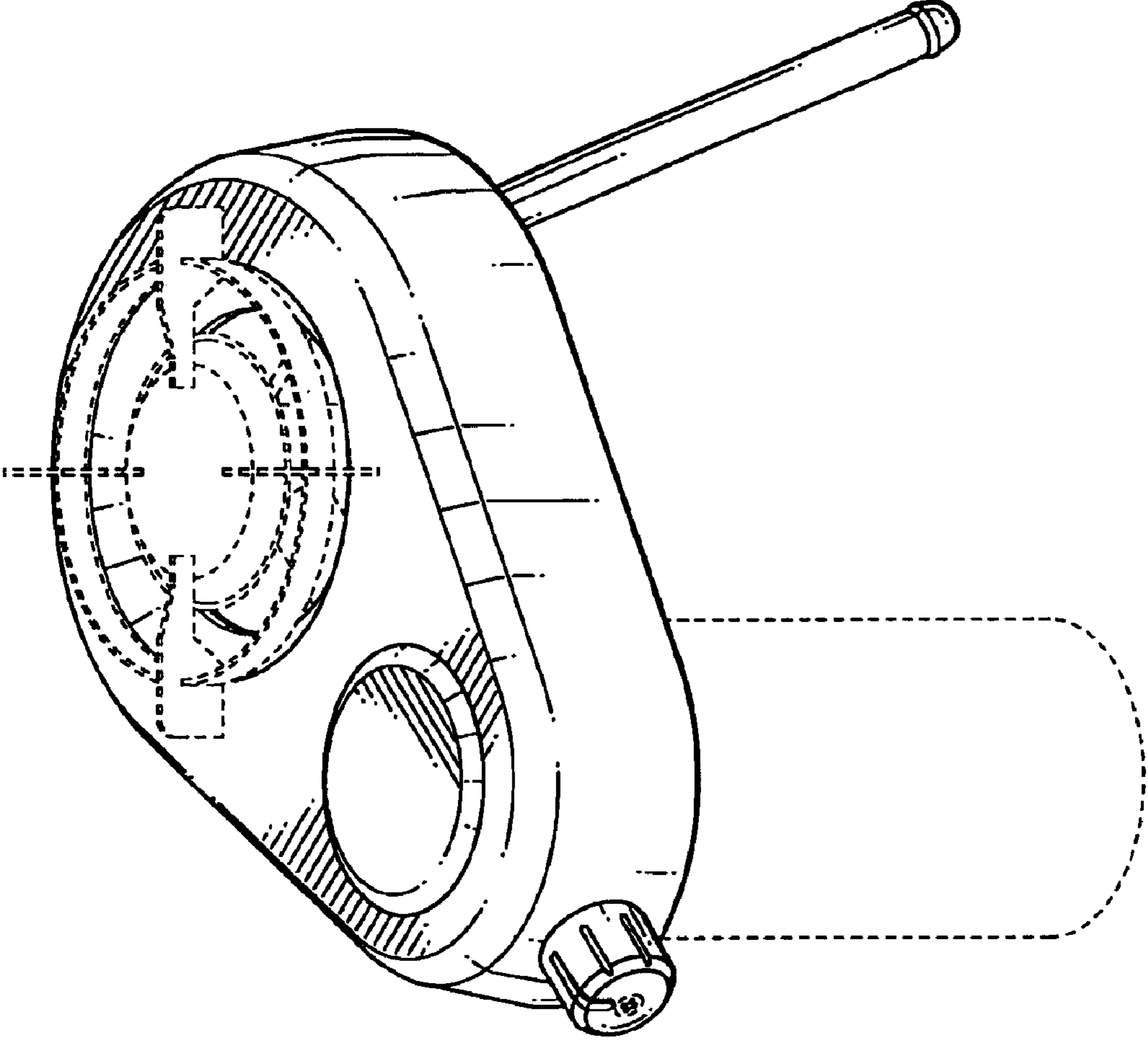


FIG. 1

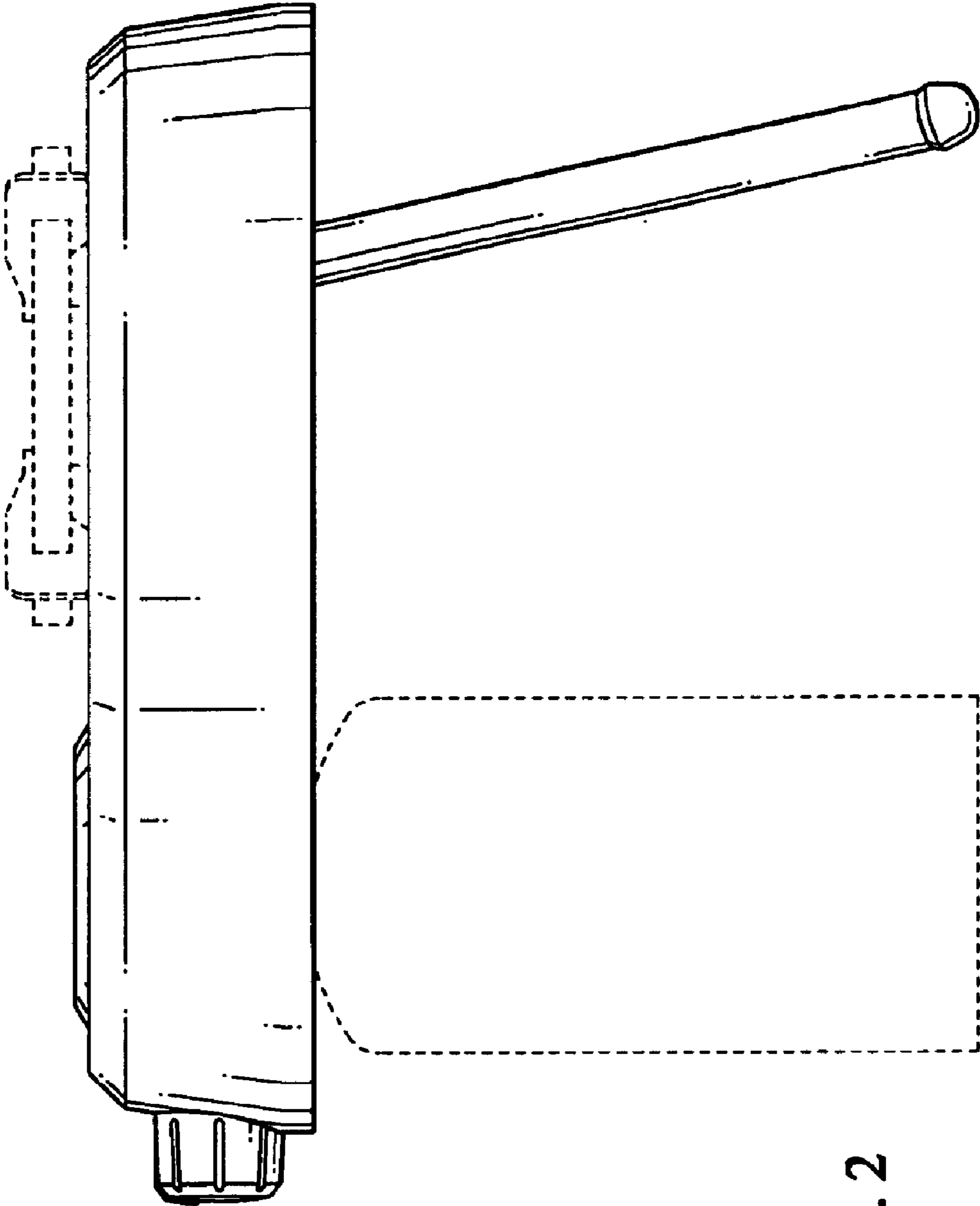


FIG. 2

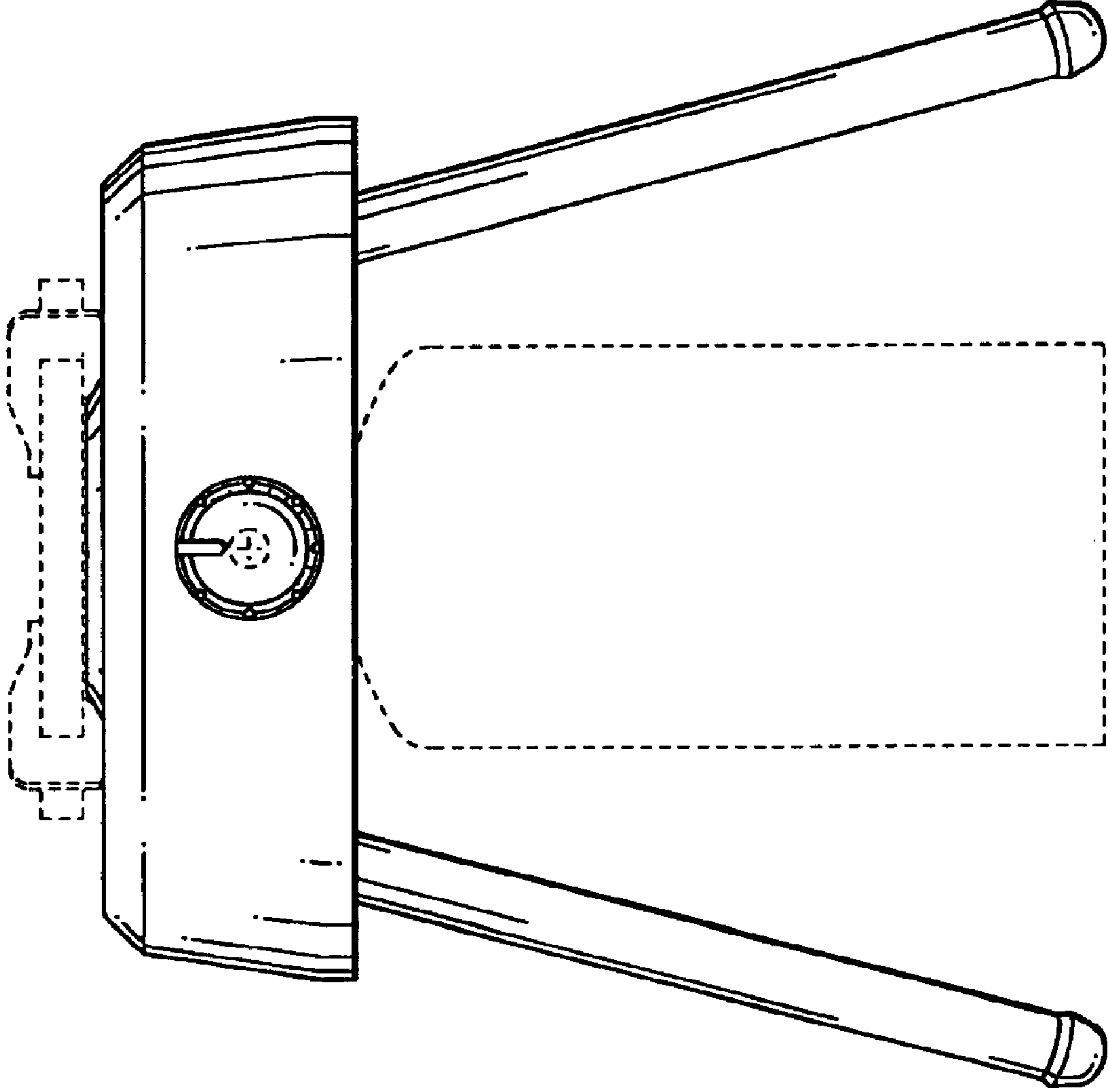


FIG. 3

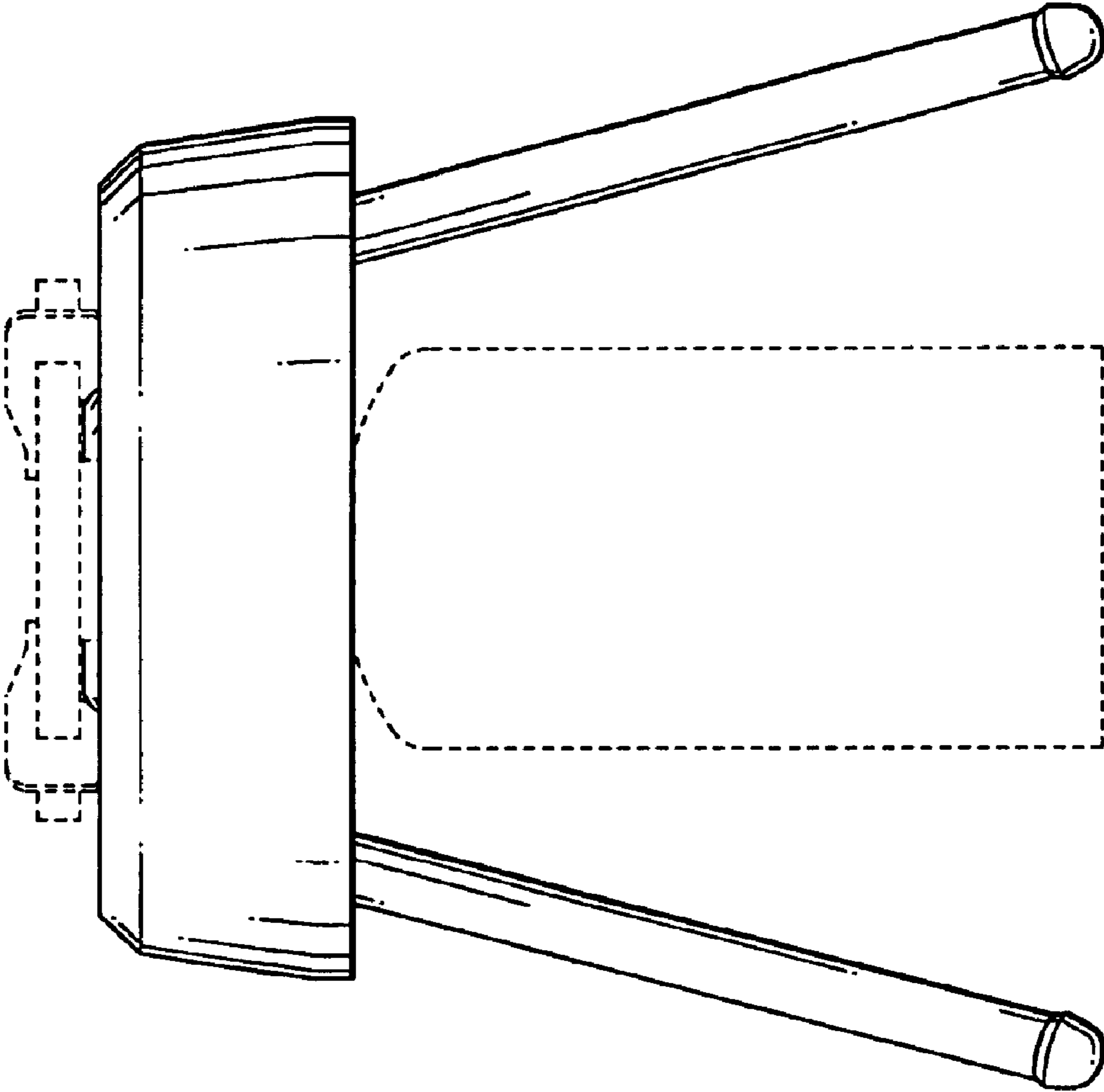


FIG. 4

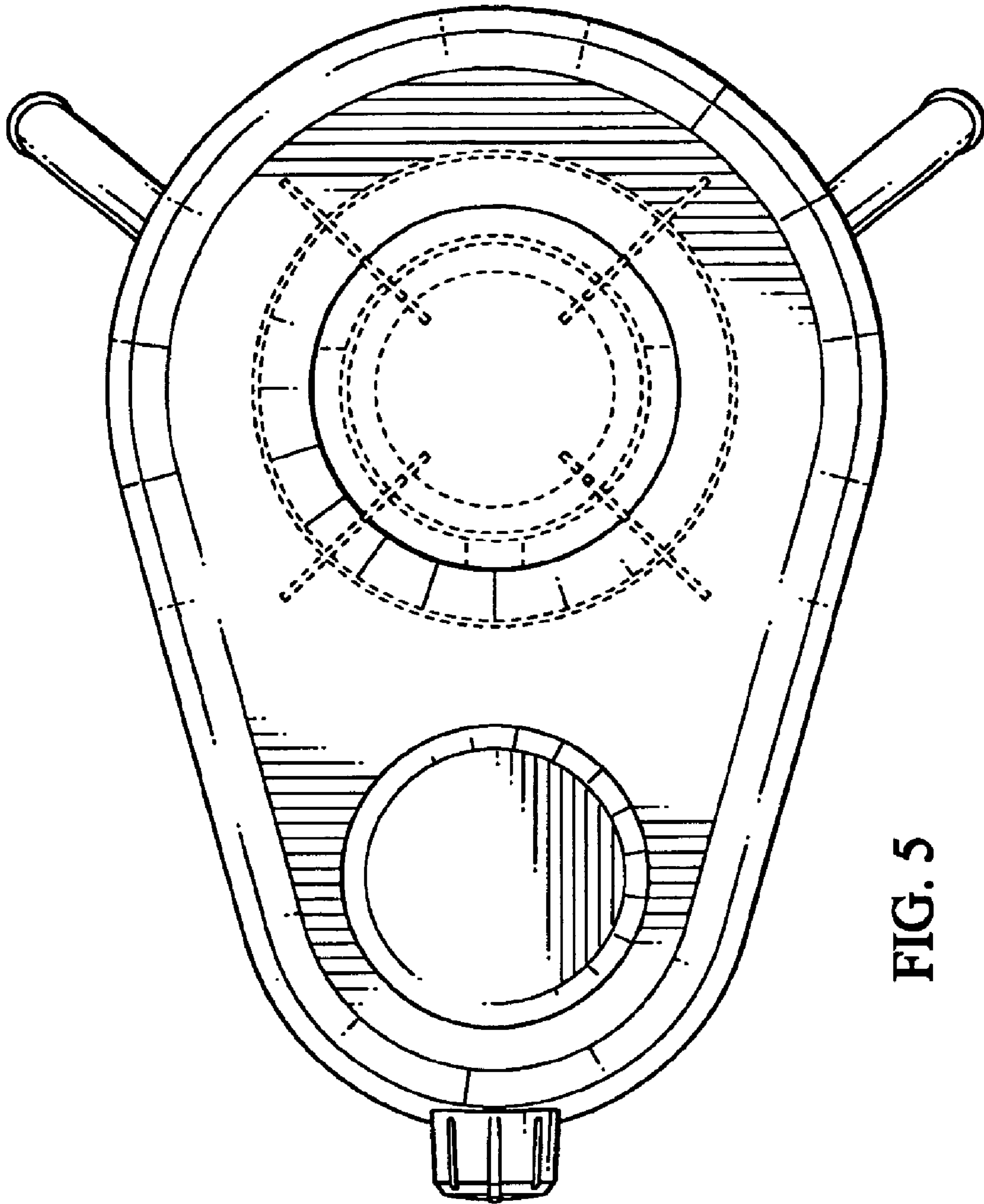


FIG. 5

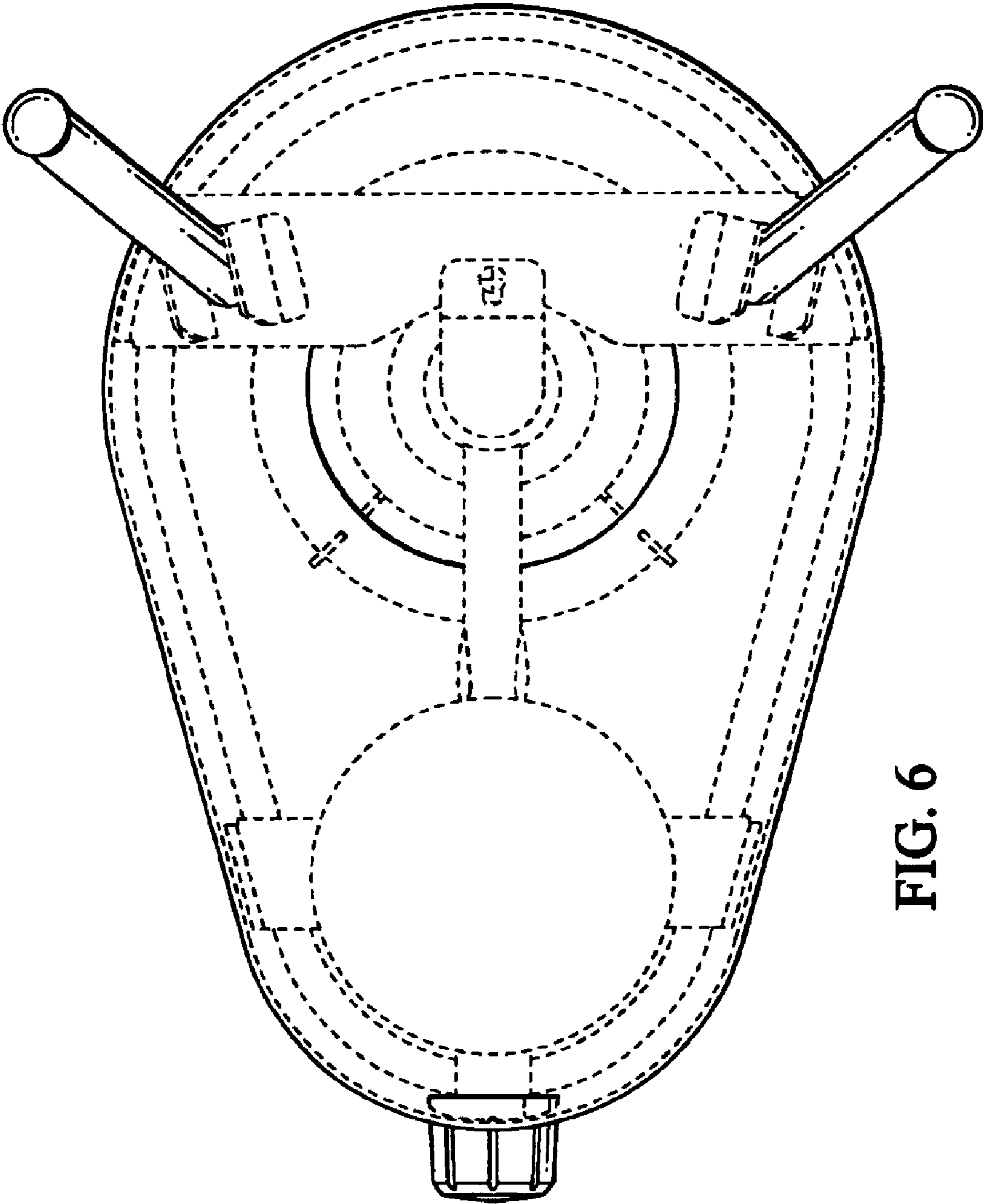


FIG. 6

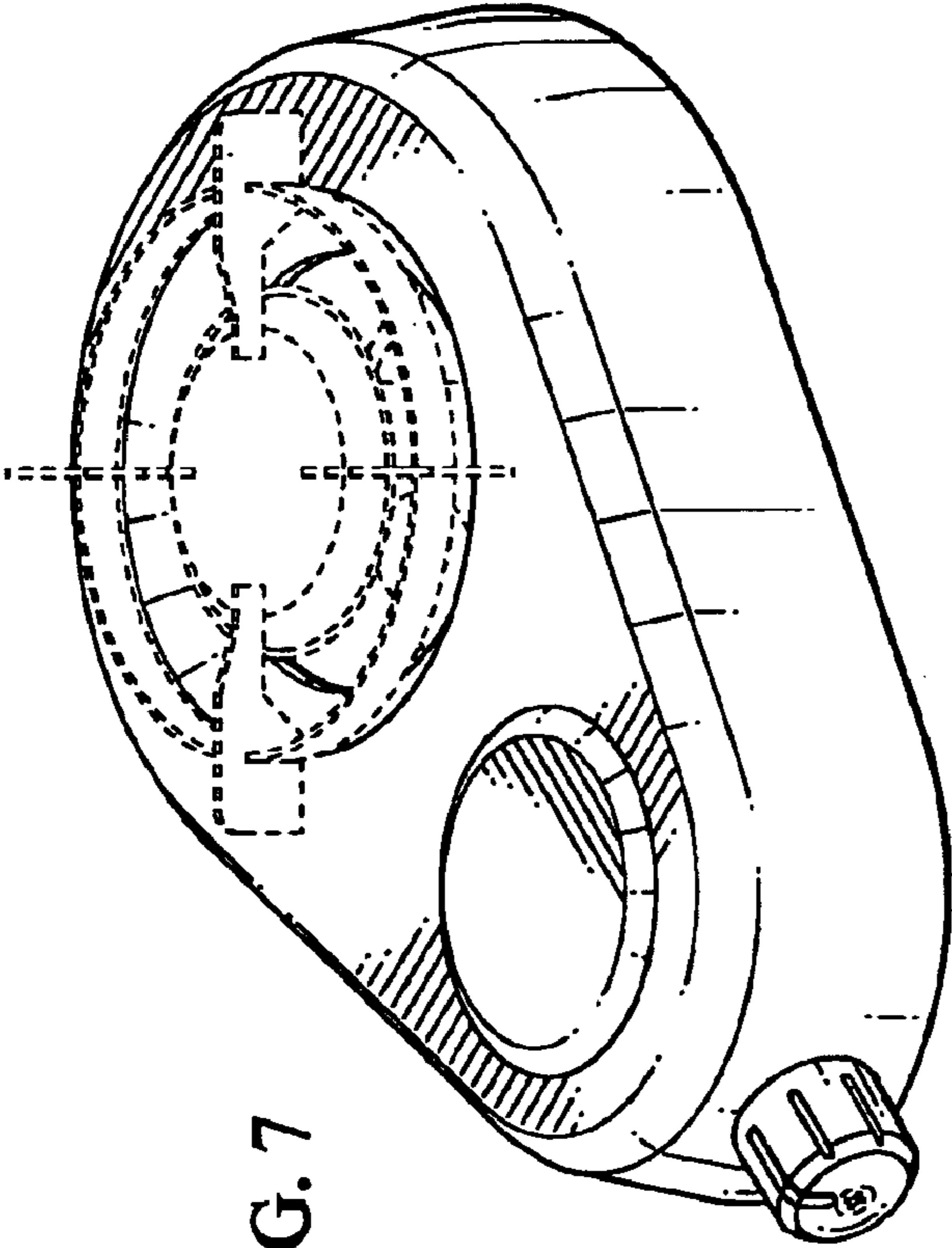


FIG. 7

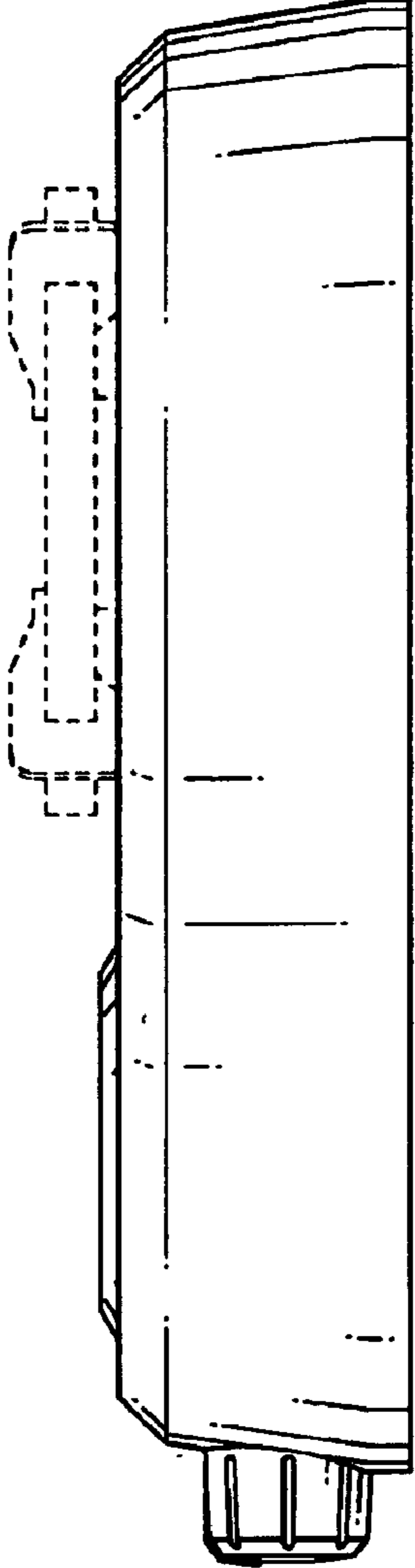


FIG. 8

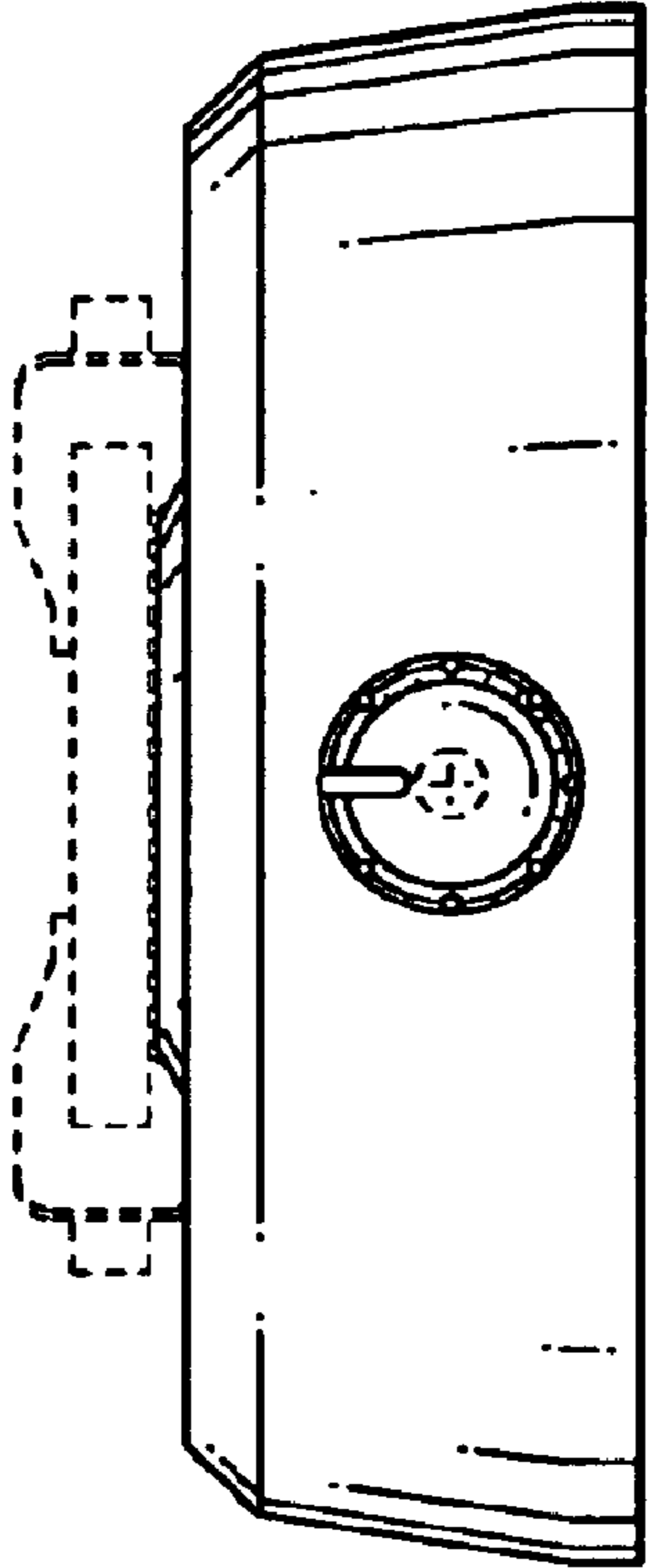


FIG. 9

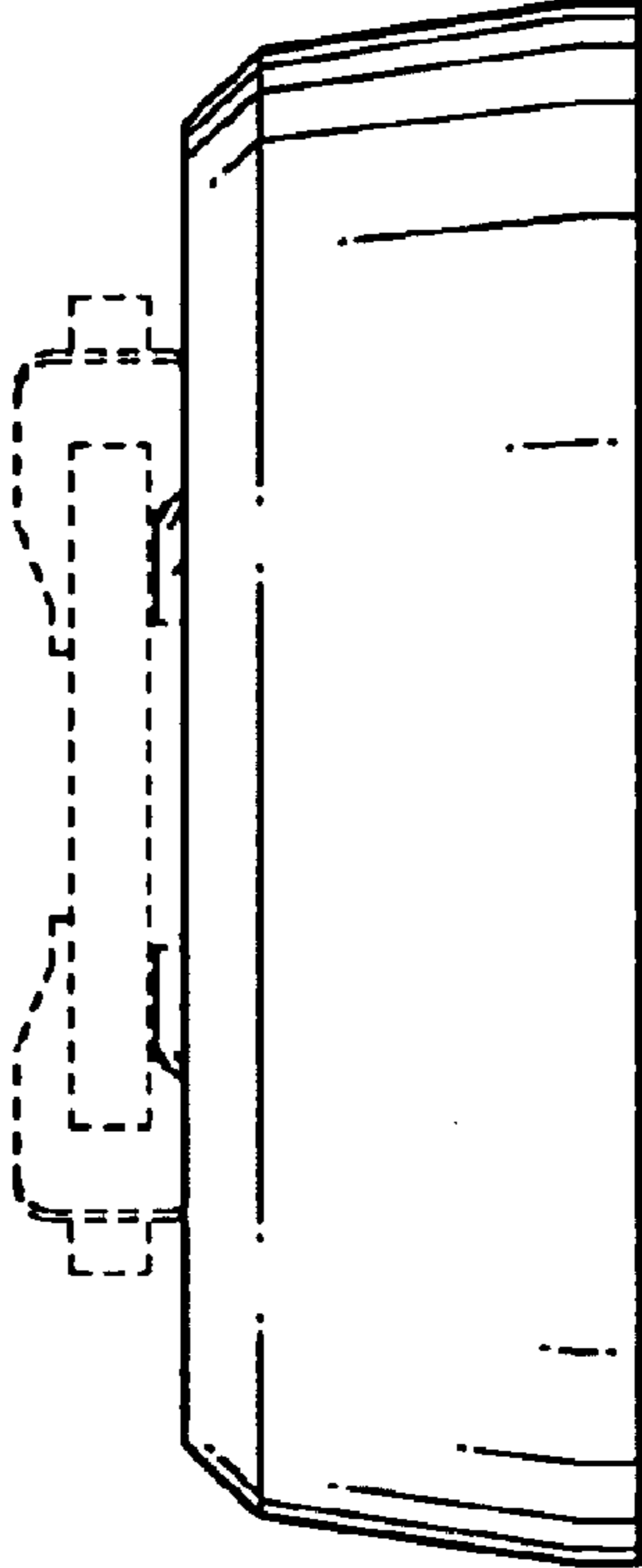


FIG. 10

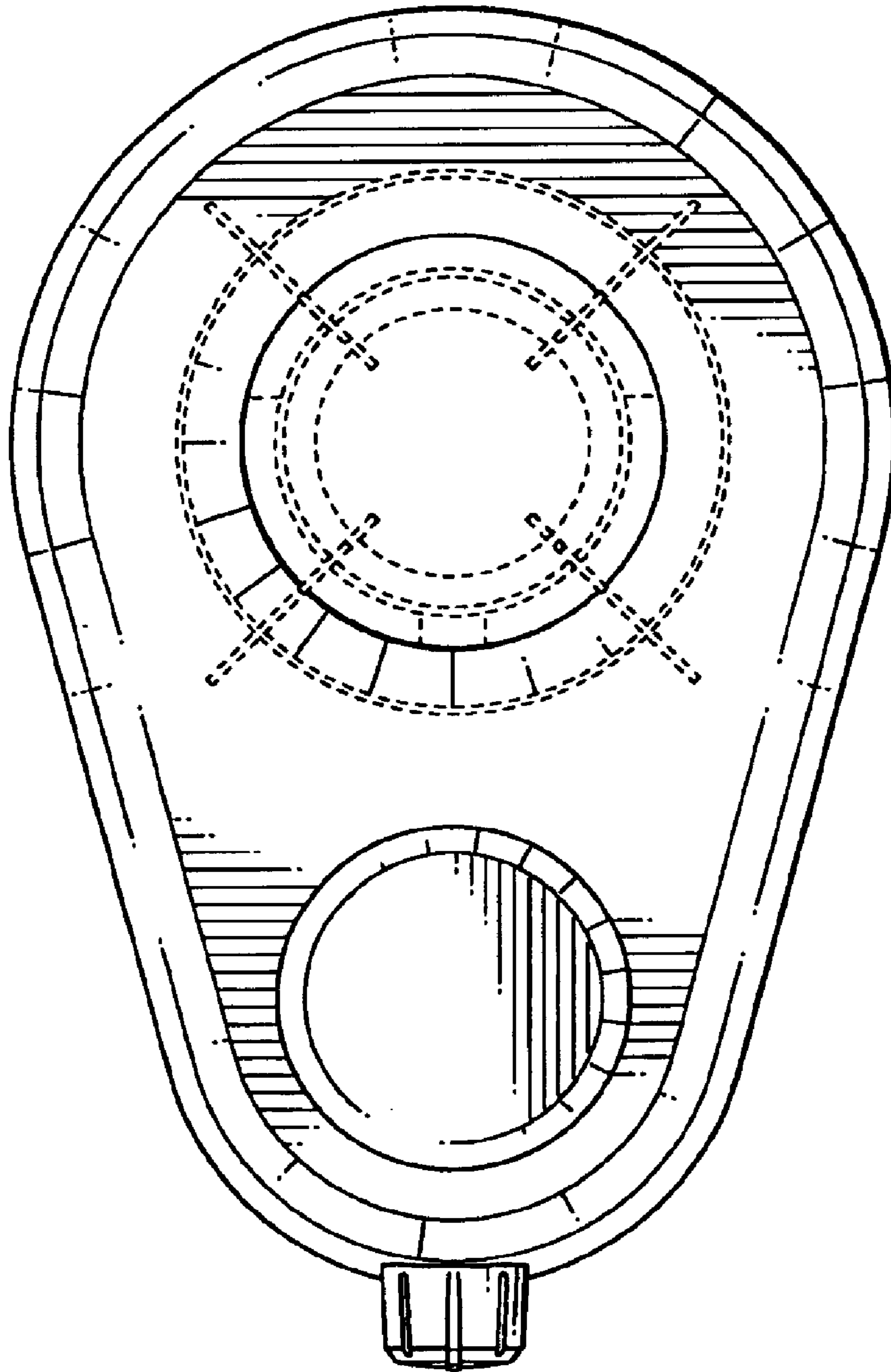


FIG. 11

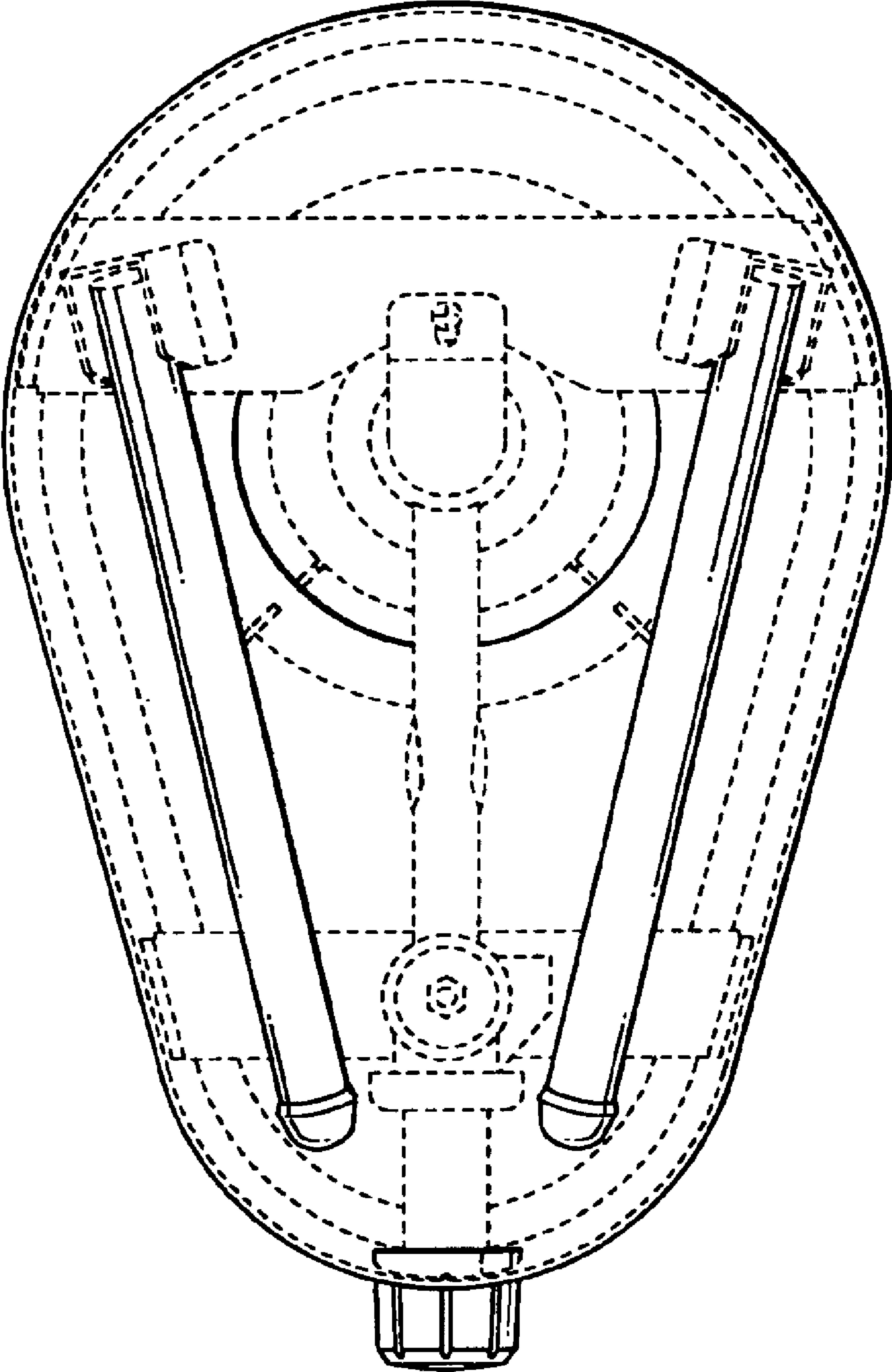


FIG. 12

UNITED STATES PATENT AND TRADEMARK OFFICE
CERTIFICATE OF CORRECTION

PATENT NO. : Des. 512,264 S
DATED : December 6, 2005
INVENTOR(S) : Randall Lynn May et al.

Page 1 of 1

It is certified that error appears in the above-identified patent and that said Letters Patent is hereby corrected as shown below:

Title page.

Item [73], Assignee, should read -- **The Brinkmann Corporation** --.

Signed and Sealed this

Twenty-eighth Day of March, 2006

A handwritten signature in black ink on a light gray dotted background. The signature reads "Jon W. Dudas" in a cursive style.

JON W. DUDAS

Director of the United States Patent and Trademark Office