



US00D512261S

(12) **United States Design Patent**
Hunt et al.

(10) **Patent No.: US D512,261 S**
(45) **Date of Patent: ** Dec. 6, 2005**

(54) **DISK STORAGE LOCKER**

(75) Inventors: **Ronald Eugene Hunt**, Georgetown, TX (US); **Verlon Eugene Whitehead**, Austin, TX (US); **Tod Alan Barrett**, Austin, TX (US)

(73) Assignee: **CD3 Storage System, Inc.**, Austin, TX (US)

(**) Term: **14 Years**

(21) Appl. No.: **29/177,601**

(22) Filed: **Mar. 12, 2003**

(51) **LOC (8) Cl.** **06-04**

(52) **U.S. Cl.** **D6/632; D6/407**

(58) **Field of Search** D3/201, 215, 217, D3/218, 226, 238, 247, 254, 257, 270, 272, 273, 276, 295, 303, 307; D6/407, 408, 475, 626-635; D9/337, 424, 445, 454, 18, 307; 206/307.1, 308.1, 308.2, 308.3, 309-310, 311, 312, 313, 445, 749; 312/902, 9.9, 9.48, 9.55, 9.64, 9.47, 9.53, 328; 379/355; 383/18

(56) **References Cited**

U.S. PATENT DOCUMENTS

D239,153 S * 3/1976 Snyder

D268,311 S * 3/1983 Persia D6/433
4,747,488 A * 5/1988 Kikuchi 206/308.3
5,358,100 A * 10/1994 Wolff 206/749
D353,748 S * 12/1994 Ferris et al. D7/709
D394,182 S * 5/1998 Woolrich D6/632
5,850,921 A * 12/1998 Shindou et al. 206/711
D456,133 S * 4/2002 Fiore, Jr. D3/254
D456,994 S * 5/2002 Erwin D3/291
D462,520 S * 9/2002 Snider D3/282

* cited by examiner

Primary Examiner—Celia A. Murphy

(74) *Attorney, Agent, or Firm*—Andrew J. Dillon; Dillon & Yudell LLP

(57) **CLAIM**

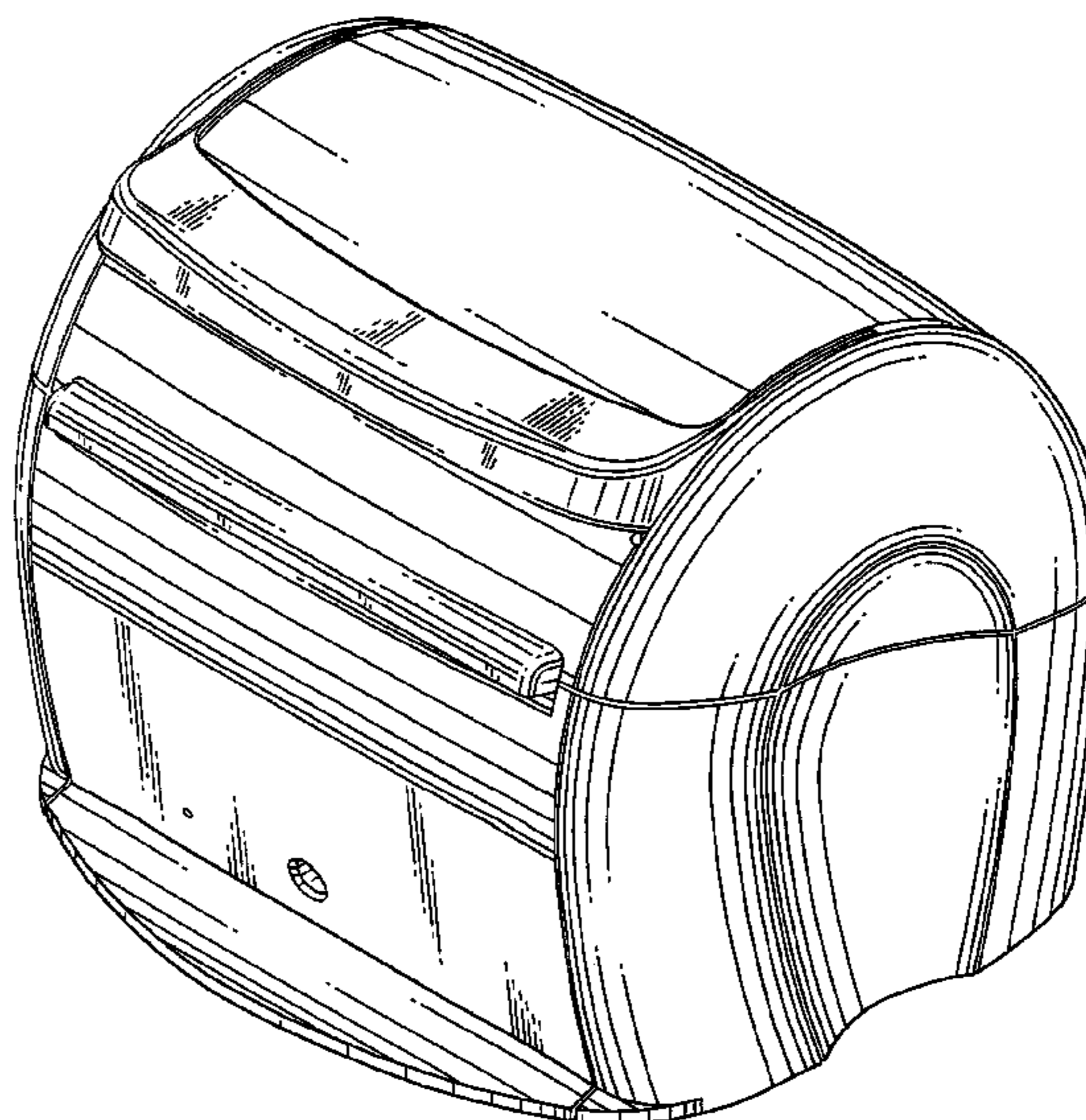
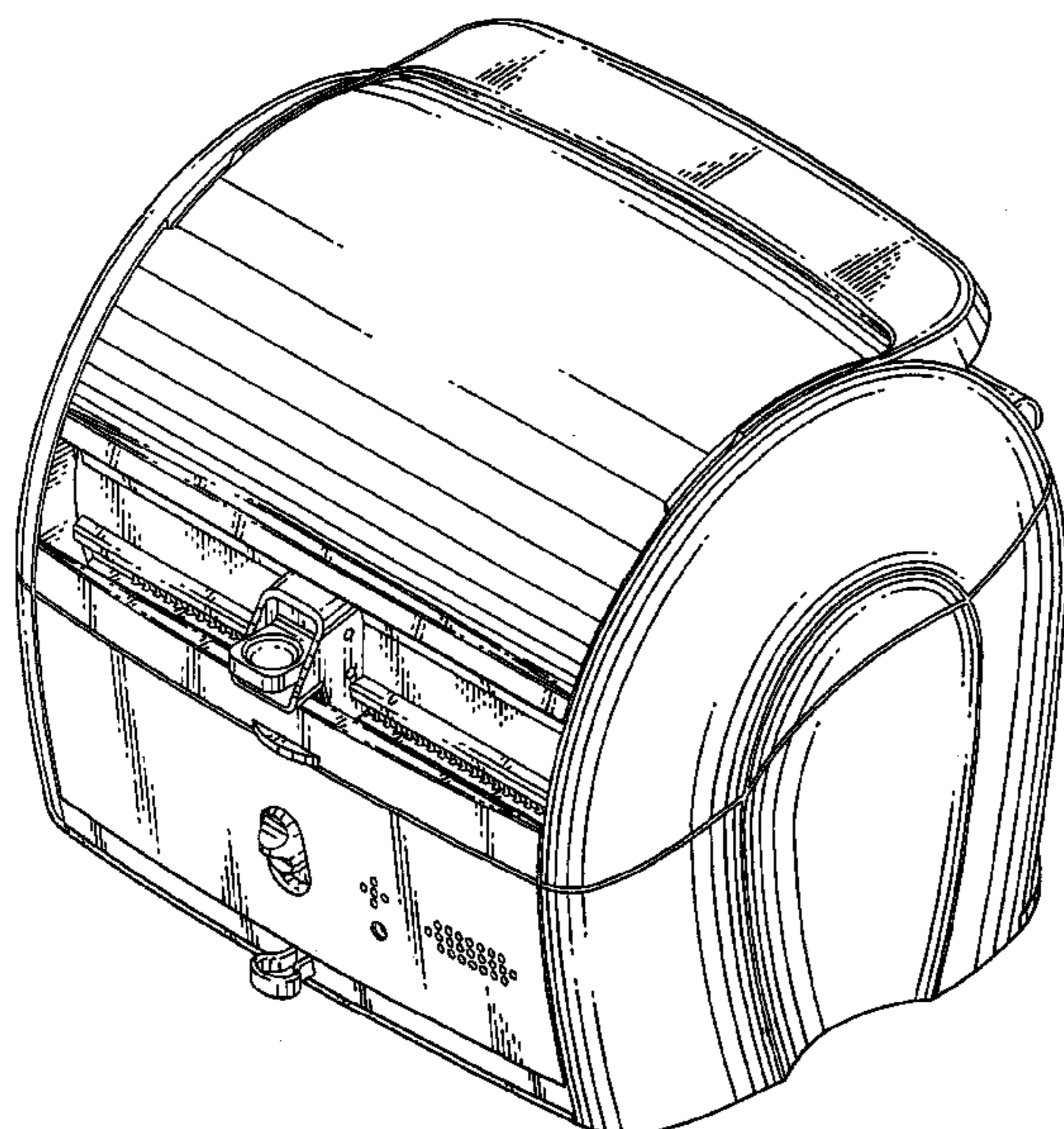
We claim the ornamental design for the disk storage locker, as shown and described.

DESCRIPTION

FIG. 1 is a front perspective view of the disk storage locker showing speaker holes of the present invention; and,

FIG. 2 is a rear perspective view of the disk storage locker of the present invention.

1 Claim, 2 Drawing Sheets



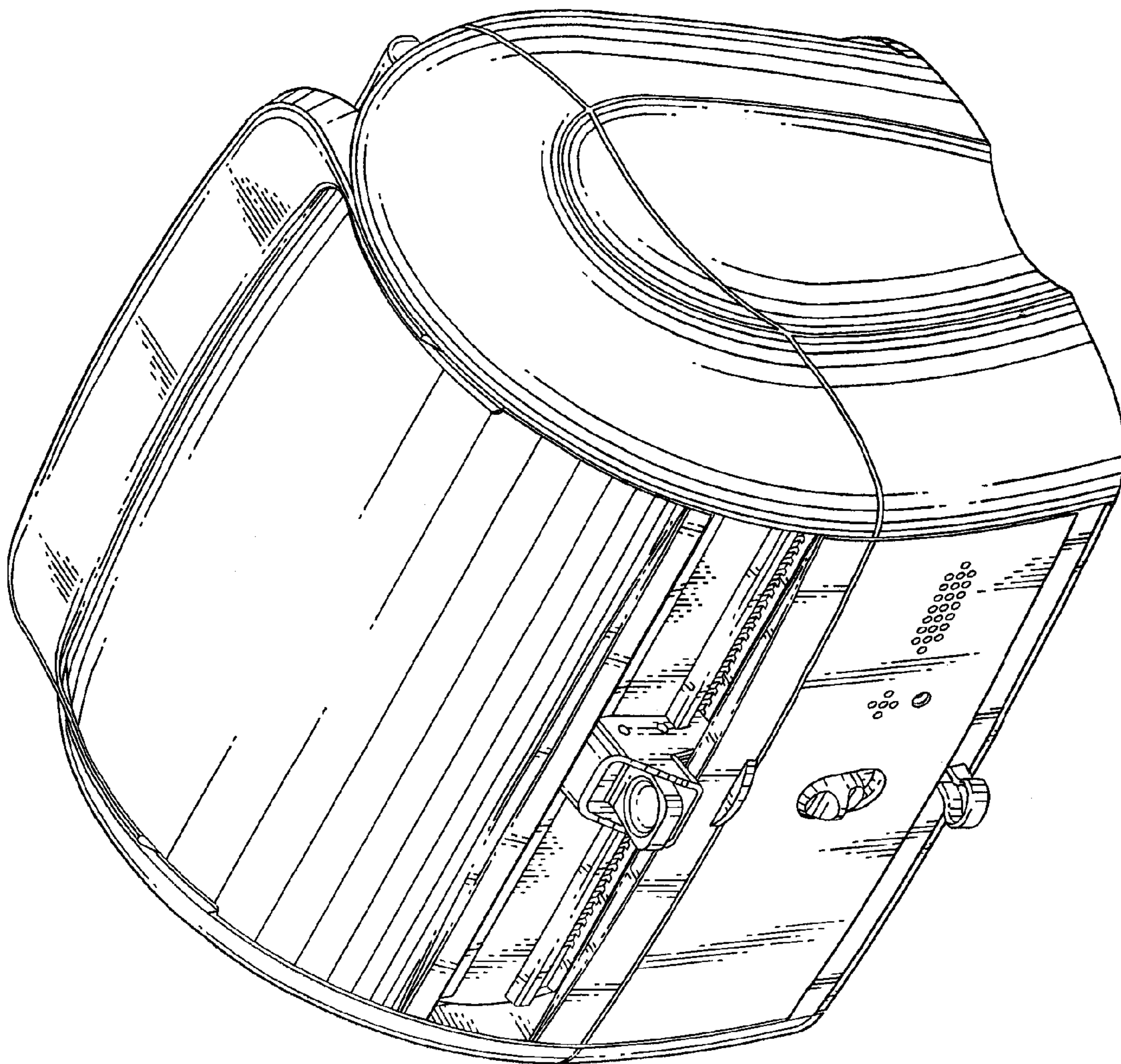


Fig. 1

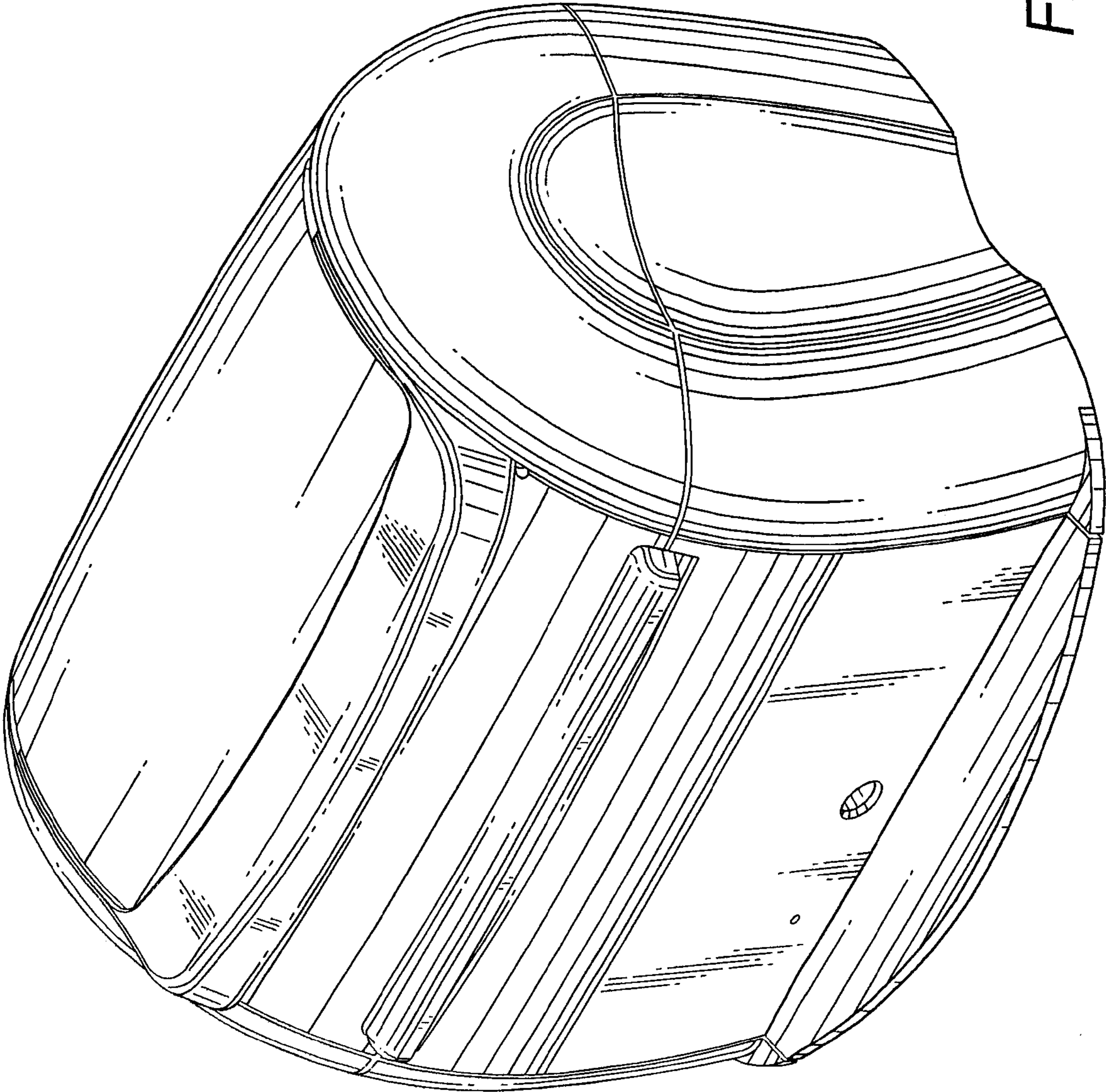


Fig. 2