



US00D512257S

(12) **United States Design Patent**
Cairns

(10) **Patent No.:** **US D512,257 S**

(45) **Date of Patent:** **** Dec. 6, 2005**

(54) **CURTAIN ROD END CAP**

(75) **Inventor:** **Janice E. Cairns**, Woodstock, GA (US)

(73) **Assignee:** **Breeze Home Fashions, Inc.**,
Woodstock, GA (US)

(**) **Term:** **14 Years**

(21) **Appl. No.:** **29/213,214**

(22) **Filed:** **Sep. 15, 2004**

(51) **LOC (8) Cl.** **06-10**

(52) **U.S. Cl.** **D6/580**

(58) **Field of Search** D8/376; D6/580;
248/188.9; 160/330

(56) **References Cited**

U.S. PATENT DOCUMENTS

5,673,741 A 10/1997 Cairns

OTHER PUBLICATIONS

AU 141711 S (G. James Extrusion Pty. Ltd.) Feb. 22, 2000
[online] [retrieved on Jun. 3, 2005]. Retrieved from: Aus-
tralian patent database.*

National Hospitality Supply Catalog, p. 15 [online] Summer
2002 [retrieved on Jun. 3, 2005] drapery track endcap
circled at left of page. [found on google online catalog
website].*

* cited by examiner

Primary Examiner—Holly H. Baynham

(74) *Attorney, Agent, or Firm*—Michael J. Mehrman, Esq.

(57) **CLAIM**

The ornamental design for a curtain rod end cap, as shown
and described herein.

DESCRIPTION

FIG. 1 is a perspective view of a curtain rod end cap.

FIG. 2 is a side view of the curtain rod end cap shown in
FIG. 1.

FIG. 3 is a front view of the curtain rod end cap shown in
FIG. 1.

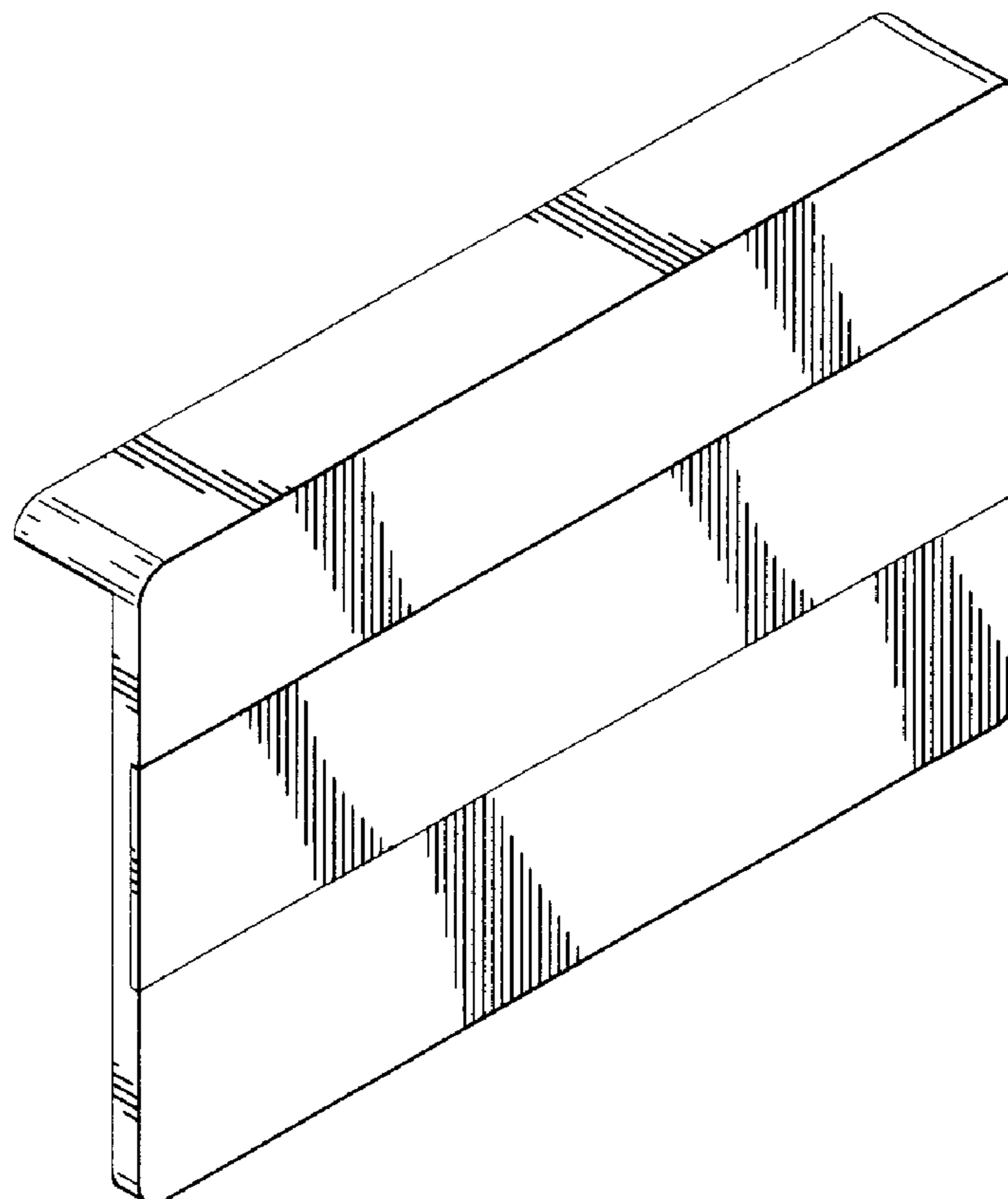
FIG. 4 is a rear view of the curtain rod end cap shown in
FIG. 1.

FIG. 5 is top view of the curtain rod end cap shown in FIG.
1; and,

FIG. 6 is bottom view of the curtain rod end cap shown in
FIG. 1.

The broken lines do not form part of the claimed design.

1 Claim, 2 Drawing Sheets



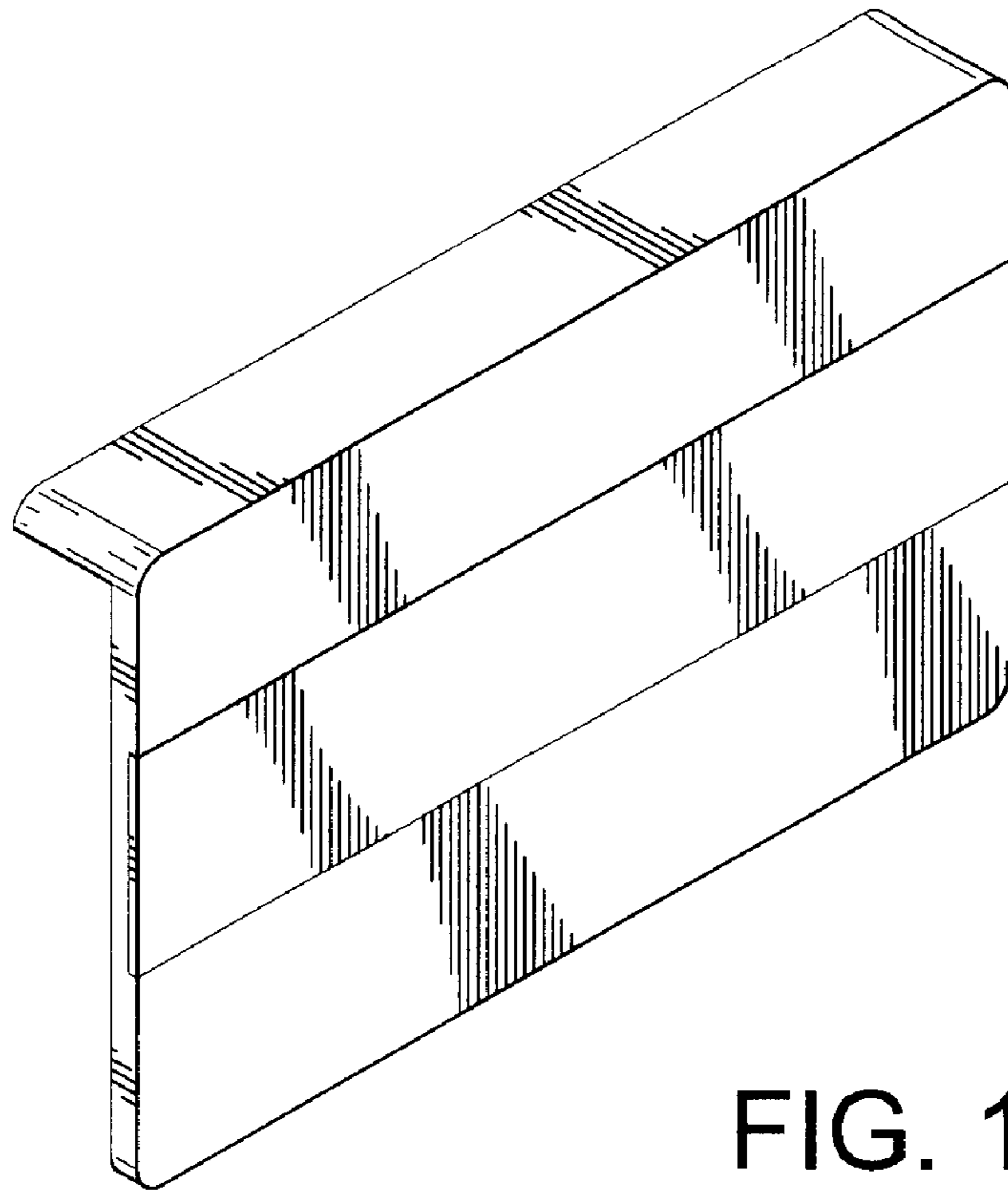


FIG. 1

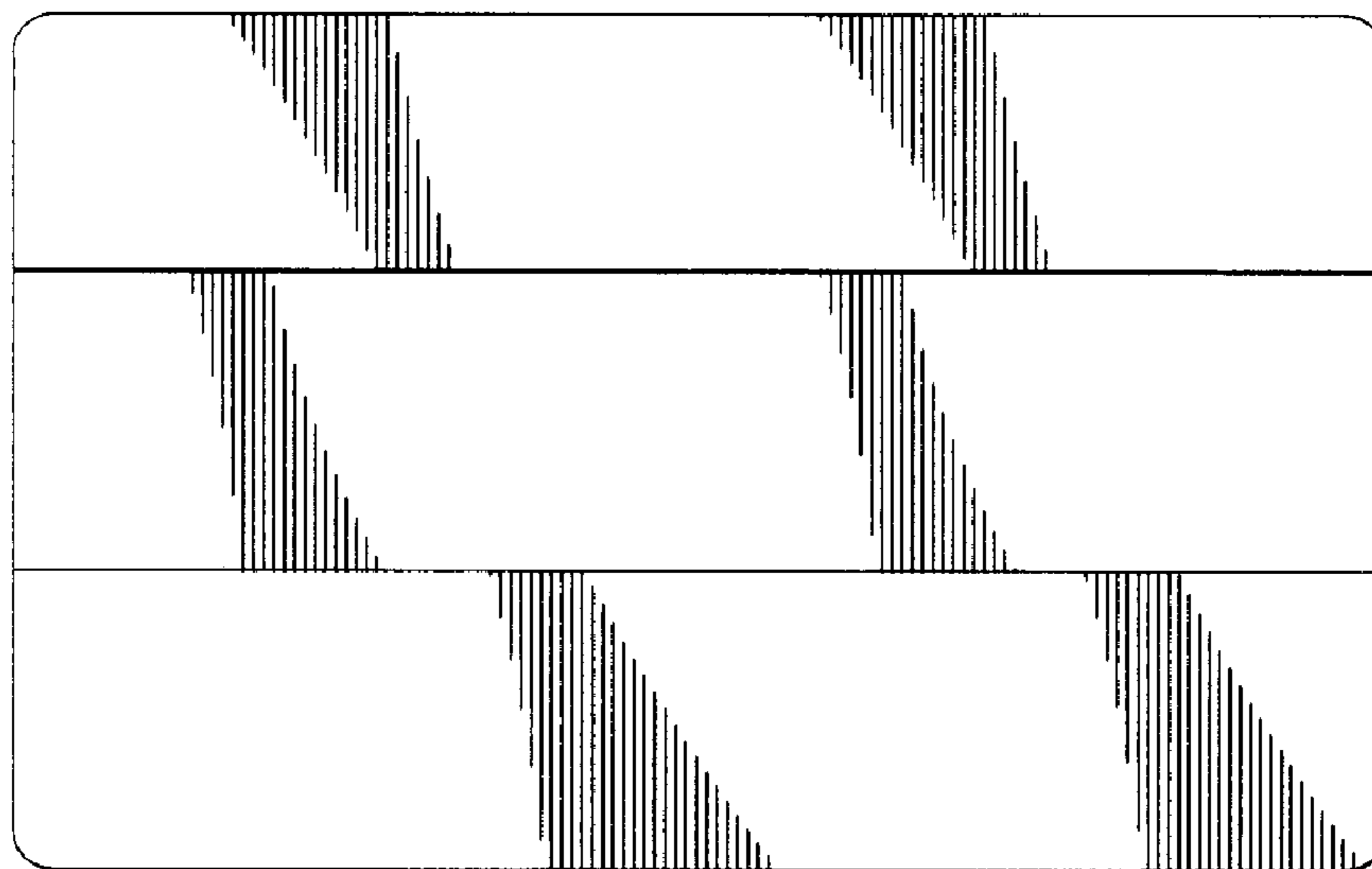


FIG. 2

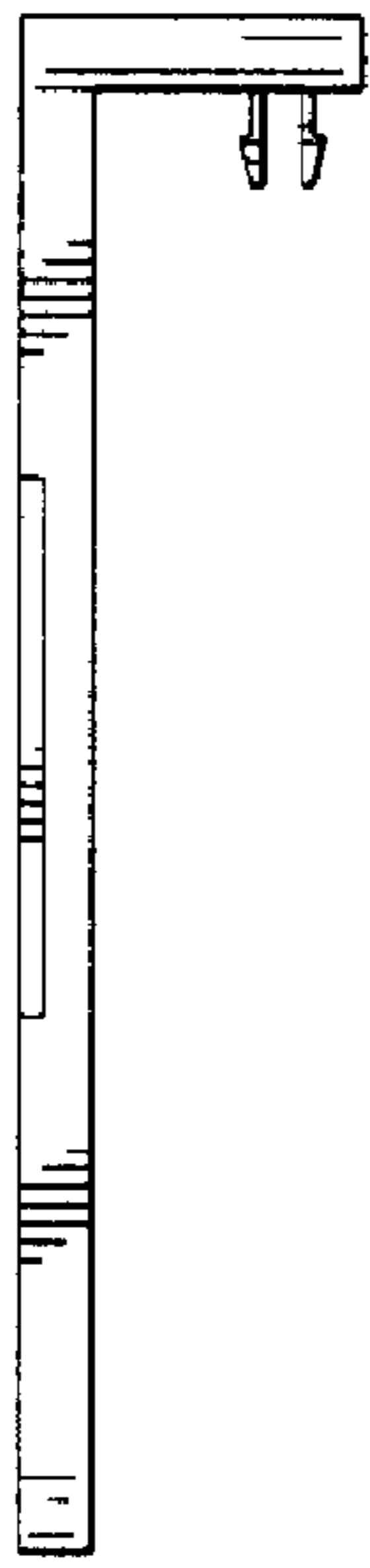


FIG. 3

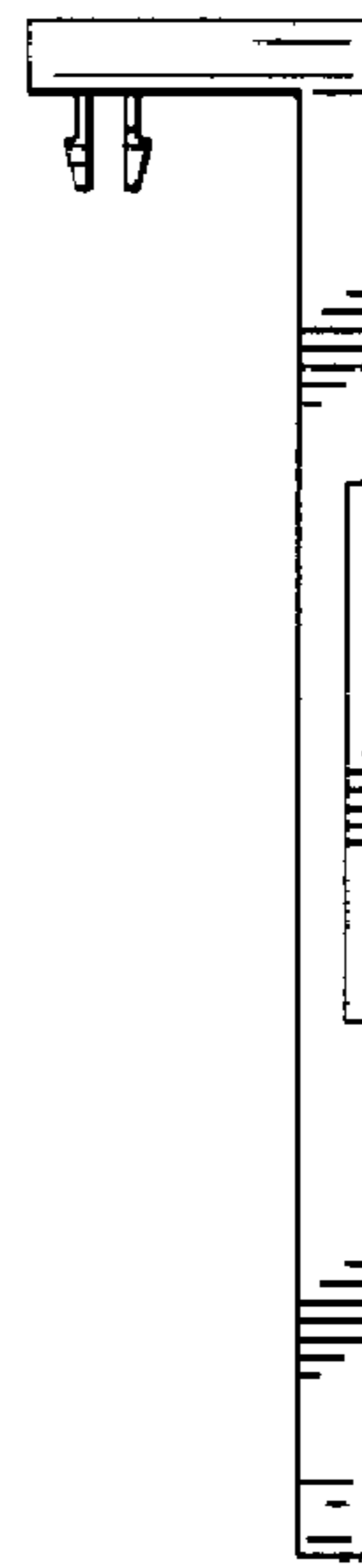


FIG. 4

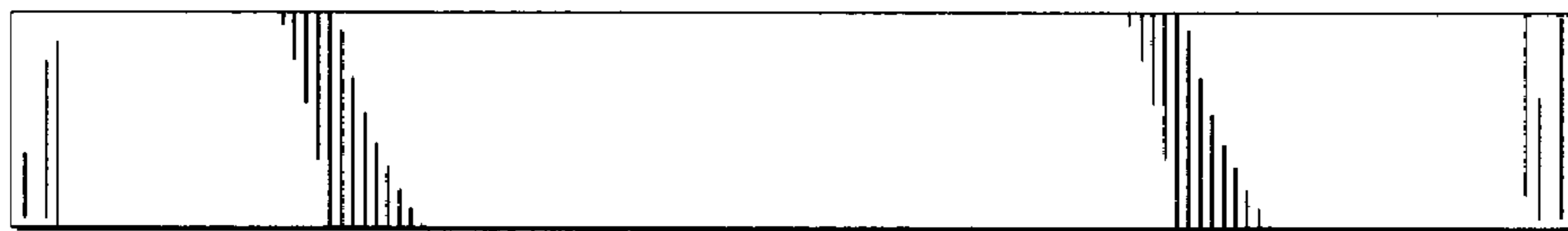


FIG. 5

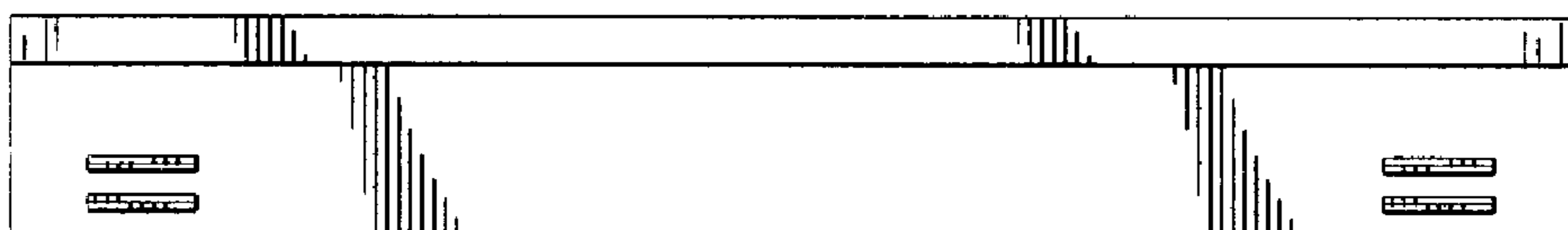


FIG. 6