



US00D512254S

(12) **United States Design Patent** (10) **Patent No.:** **US D512,254 S**
Ottens (45) **Date of Patent:** **** Dec. 6, 2005**

(54) **WALL STORAGE APPARATUS**

(75) Inventor: **Corey Ottens**, Morrison, IL (US)

(73) Assignee: **National Manufacturing Company**, Sterling, IL (US)

(**) Term: **14 Years**

(21) Appl. No.: **29/201,122**

(22) Filed: **Mar. 10, 2004**

(51) **LOC (8) Cl.** **06-04**

(52) **U.S. Cl.** **D6/553**

(58) **Field of Search** D6/553, 567, 569-571; 40/124.01, 124.2, 124.4, 124.5; 206/6.1; 211/13.1, 86.01, 87.01; 248/309.1, 314

(56) **References Cited**

U.S. PATENT DOCUMENTS

2,400,807 A	5/1946	Burkhard
2,963,164 A	12/1960	Watson
2,988,315 A	6/1961	Saxe
3,209,919 A	10/1965	Hoogstoel
3,490,600 A	1/1970	Reed et al.
3,516,552 A	6/1970	Salava
3,556,023 A	1/1971	Marschak
3,602,159 A	8/1971	Marschak
3,830,374 A	8/1974	Kassimir
4,005,539 A	2/1977	Chamberlain
4,093,168 A	6/1978	Buril
4,480,755 A	11/1984	Cartwright
4,607,753 A	8/1986	Radek
4,681,233 A	7/1987	Roth
4,780,349 A	10/1988	Gieske et al.
4,932,538 A	6/1990	Gambello
D320,719 S	10/1991	Kolsrud et al.
5,094,352 A	3/1992	Green, Sr. et al.

(Continued)

FOREIGN PATENT DOCUMENTS

CA	2 380 663	10/2003
DE	41 00 399 A1	7/1992

OTHER PUBLICATIONS

Pegboard product, available at <http://www.hookstore.com/panels.htm>, Oct. 28, 2003.

Pegboard product, available at <http://www.bonhacker.de/SYSELEME.HTM>, Oct. 28, 2003.

Pegboard product, available at http://www.closetmaid.com/Look/Product_Catalog/index.cfm?section=garage, Oct. 28, 2003.

Pegboard product, available at <http://www.lehighgroup.com/Crawford.asp>, Oct. 28, 2003.

Pegboard product, available at <http://www.gladiatorgw.com>.

Pegboard product, available at <http://www.johnsterling.com/storageproduct.htm>, Oct. 28, 2003.

Pegboard product, available at <http://www.kenney.com/hstorage.htm>, Oct. 28, 2003.

Pegboard product, available at <http://www.stor2000.com/plaspeg.html>, Oct. 28, 2003.

Pegboard product, available at <http://www.racom.com/interchange.html>, Oct. 28, 2003.

(Continued)

Primary Examiner—Brian N Vinson

(74) *Attorney, Agent, or Firm*—Marshall, Gerstein & Borun LLP

(57) **CLAIM**

The ornamental design for a wall storage apparatus, as shown and described.

DESCRIPTION

FIG. 1 is a front perspective view of a wall storage apparatus;

FIG. 2 is a rear perspective view of the apparatus of FIG. 1;

FIG. 3 is a front elevational view of the apparatus of FIG. 1;

FIG. 4 is a rear elevational view of the apparatus of FIG. 1;

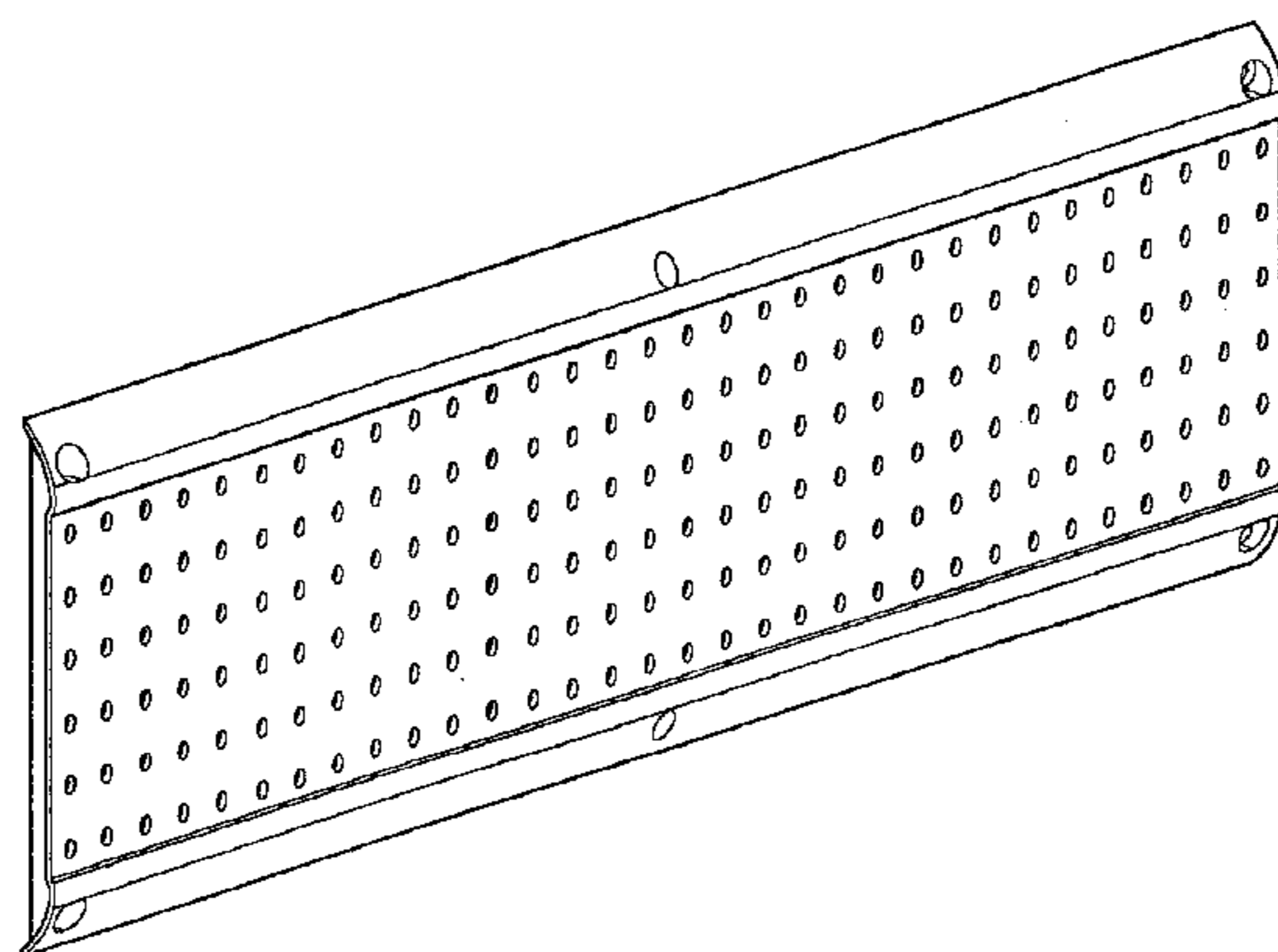
FIG. 5 is a left-side elevational view of the apparatus of FIG. 1;

FIG. 6 is a right-side elevational view of the apparatus of FIG. 1;

FIG. 7 is a top plan view of the apparatus of FIG. 1; and,

FIG. 8 is a bottom plan view of the apparatus of FIG. 1.

1 Claim, 6 Drawing Sheets



U.S. PATENT DOCUMENTS

5,379,976 A 1/1995 DeGirolamo
5,673,803 A 10/1997 Burbach
5,762,211 A 6/1998 Ensign
5,927,517 A 7/1999 Lipman et al.
6,039,416 A 3/2000 Lambert
6,108,956 A 8/2000 Conway et al.
6,129,220 A 10/2000 Decossas
D438,741 S * 3/2001 Murphy D6/553
D442,814 S * 5/2001 Sterling et al. D6/553
D446,414 S * 8/2001 Schafer D6/553
6,530,486 B1 3/2003 Batting et al.
D493,319 S * 7/2004 Lloyd-Morris D6/553
2003/0074858 A1 4/2003 Martin
2003/0189020 A1 10/2003 Secondino

OTHER PUBLICATIONS

Pegboard product, available at <http://www.kaelinsteel.com/rpm/pegboard.htm>, Oct. 28, 2003.
Pegboard product, available at [http://www.stanleyhardware.com/default.asp?TYPE=CATEGORY&CATEGORY=HDW. ...](http://www.stanleyhardware.com/default.asp?TYPE=CATEGORY&CATEGORY=HDW.), Oct. 28, 2003.
Pegboard product, available at <http://www.sun-cast.com/utilitystorage/37/>, Oct. 28, 2003.
Pegboard product, available at http://www.wallcontrol.com/ProductImages/APP3_MechTools.jpg, Oct. 28, 2003.
Pegboard product, available at <http://www.storage2systems.com>.
Pegboard product, available at <http://www.natman.com>.
* cited by examiner

FIG. 1

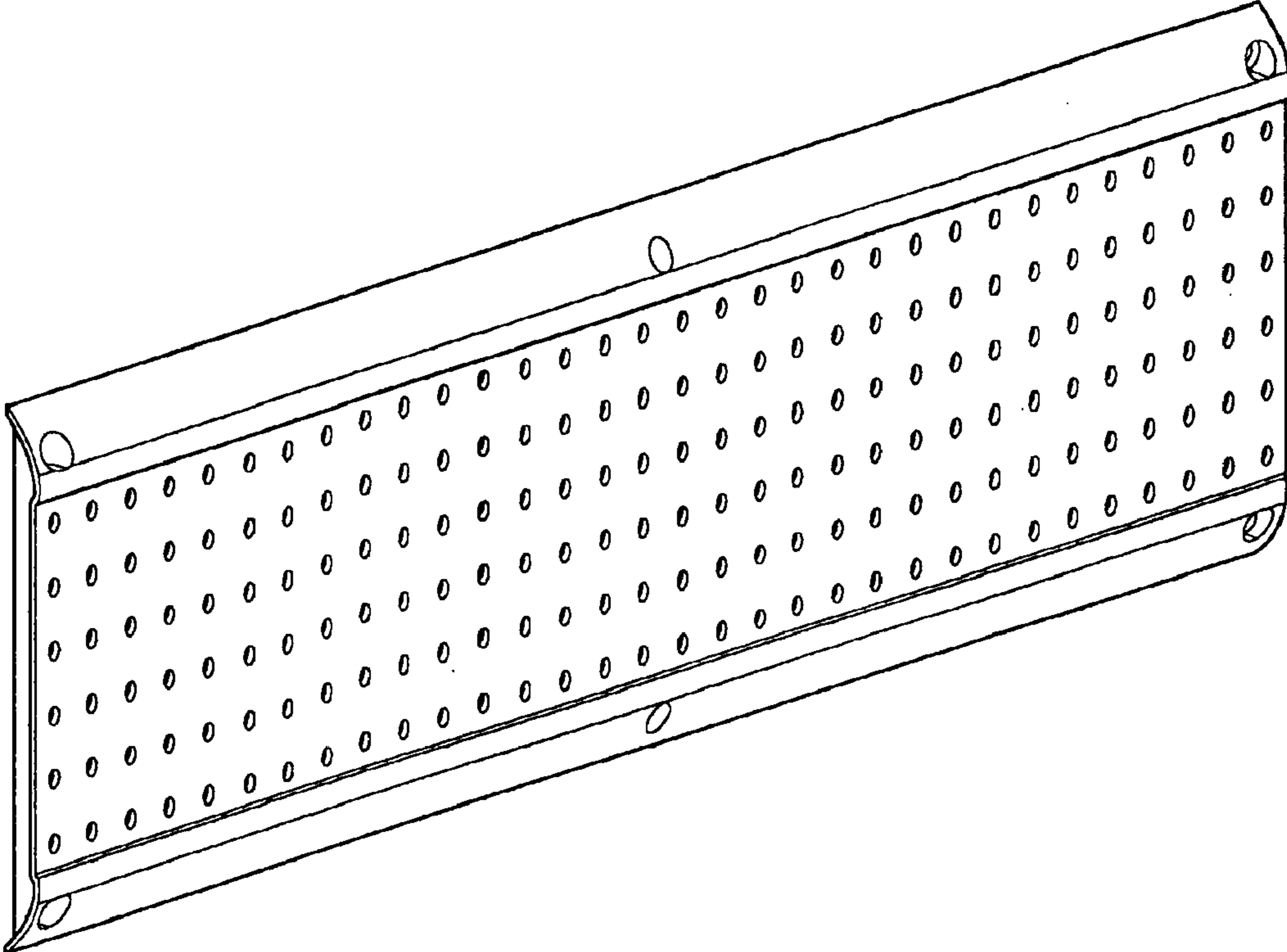


FIG. 2

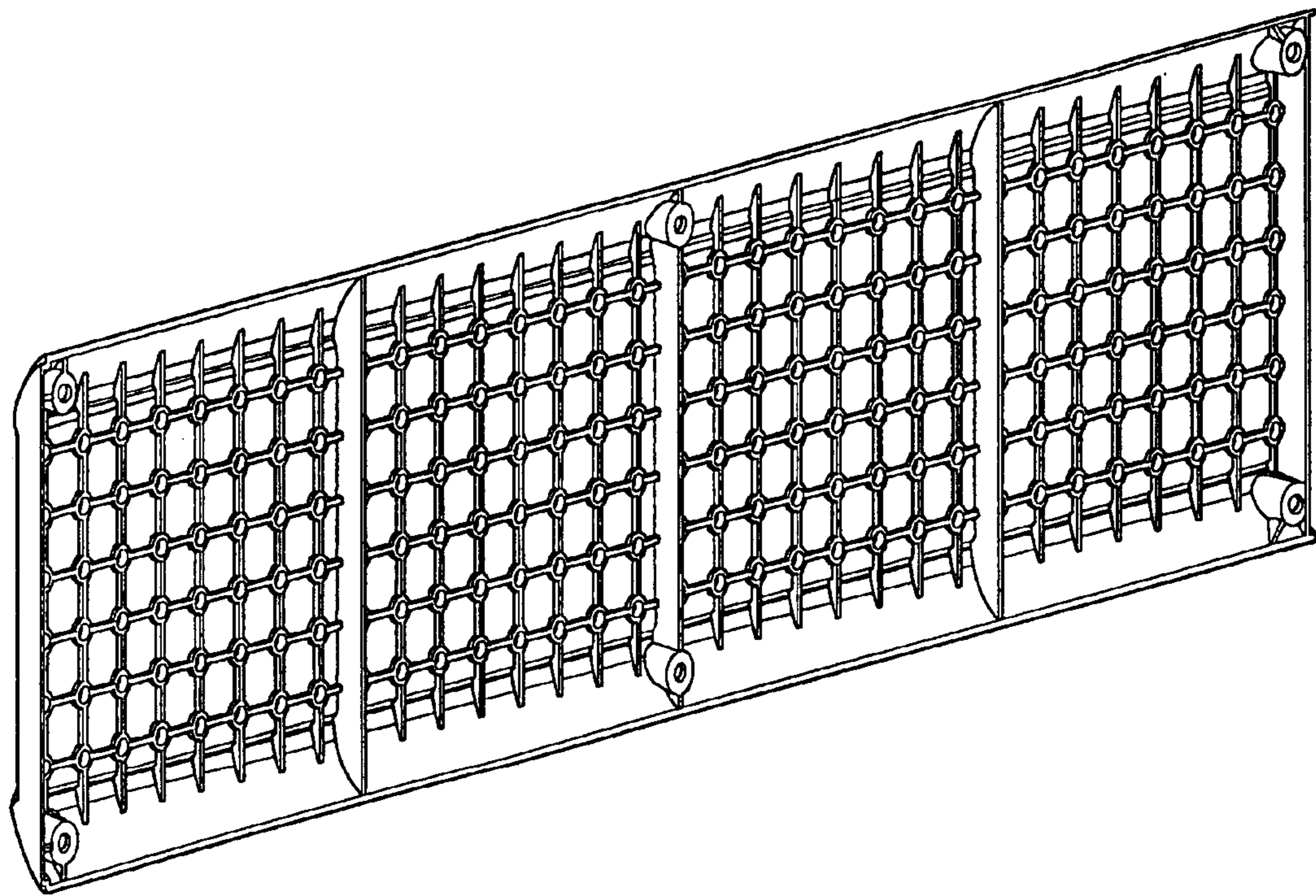


FIG. 3

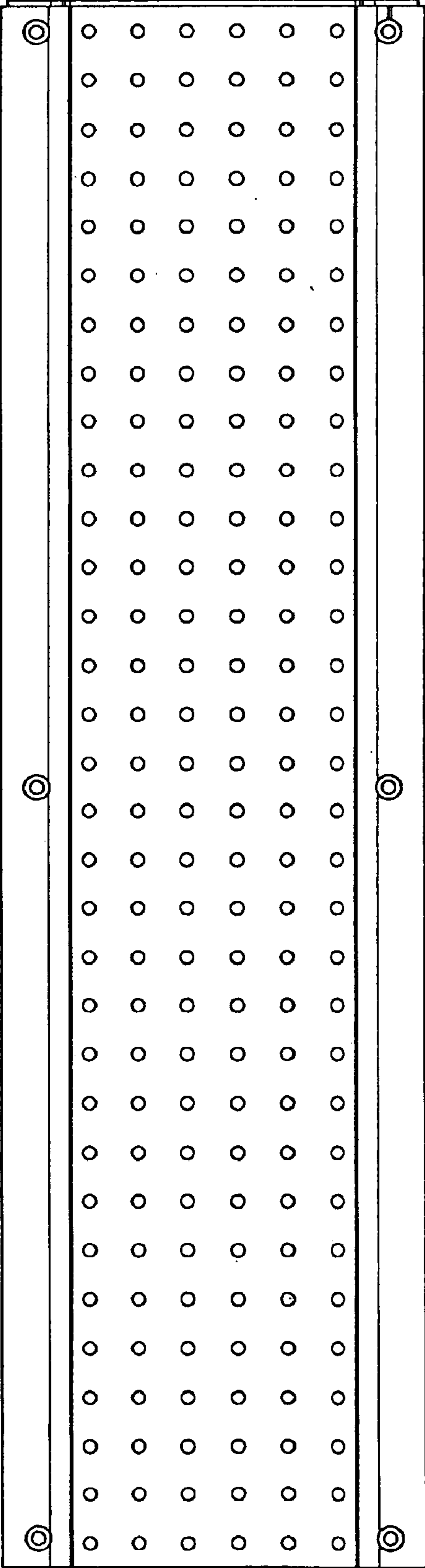


FIG. 4

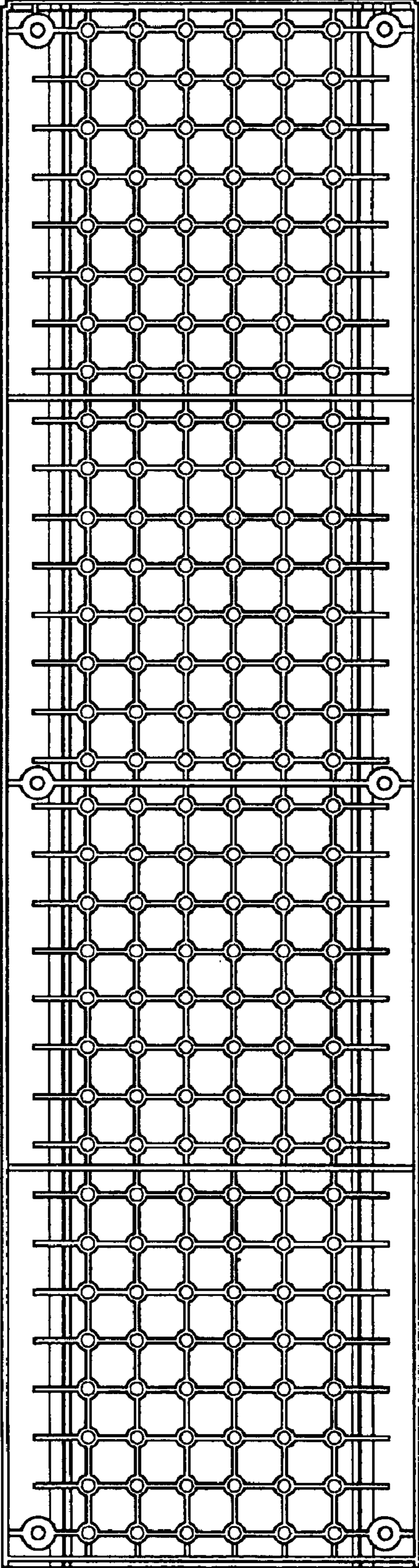


FIG. 5

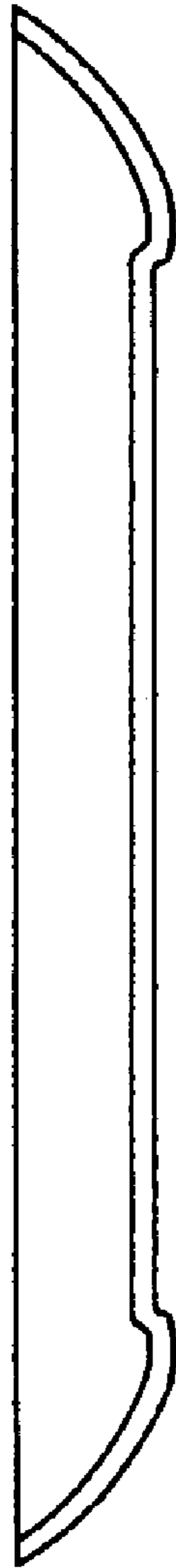


FIG. 6

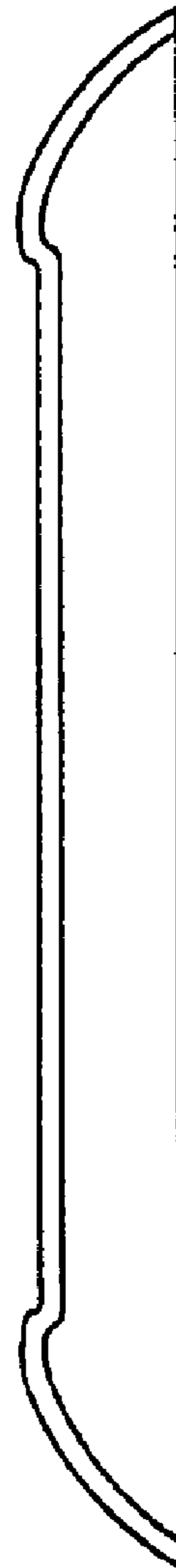


FIG. 7



FIG. 8

