



US00D512253S

(12) **United States Design Patent**
Hoernig

(10) **Patent No.:** **US D512,253 S**
(45) **Date of Patent:** **** Dec. 6, 2005**

(54) **TOILET PAPER HOLDER**

(75) Inventor: **Victor Hoernig**, Lowell, IN (US)

(73) Assignee: **Brasstech, Inc.**, Santa Ana, CA (US)

(**) Term: **14 Years**

(21) Appl. No.: **29/224,531**

(22) Filed: **Mar. 3, 2005**

(51) **LOC (8) Cl.** **23-02**

(52) **U.S. Cl.** **D6/523**

(58) **Field of Search** D6/518-523; 206/389,
206/398; 242/550, 570, 598.6, 598.5, 609.5;
211/13.1, 85.5; 312/34.8

(56) **References Cited**

U.S. PATENT DOCUMENTS

D267,760 S	*	2/1983	Vrignaud	D6/523
4,721,264 A	*	1/1988	Muscarello	242/598.6
5,170,958 A	*	12/1992	Brown	242/598.6
D394,177 S	*	5/1998	Christopher	D6/523
D487,858 S	*	3/2004	Richardson	D6/523

* cited by examiner

Primary Examiner—Brian N Vinson

(74) *Attorney, Agent, or Firm*—Kwadjo Adusei-Poku;
Lloyd D. Doigan

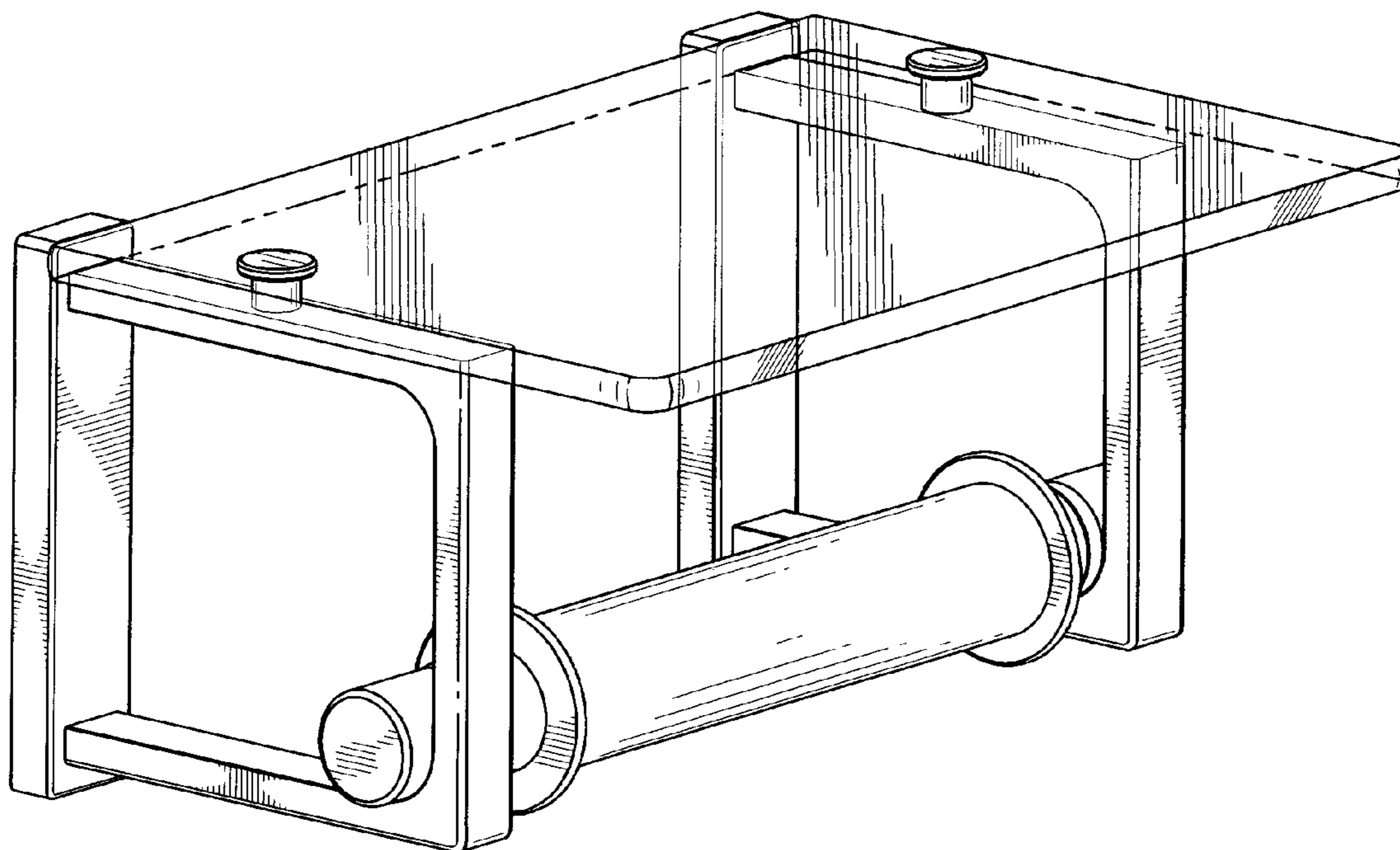
(57) **CLAIM**

The ornamental design for a toilet paper holder, as shown and described.

DESCRIPTION

FIG. 1 is a front perspective view of a toilet paper holder showing my design;
FIG. 2 is a top plan view thereof;
FIG. 3 is a bottom plan view thereof;
FIG. 4 is a front elevational view thereof;
FIG. 5 is a rear elevational view thereof;
FIG. 6 is a left side elevational view thereof; and,
FIG. 7 is a right side elevational view thereof.
The broken lines in the Figures are for illustrative purposes only and form no part of the claimed design.

1 Claim, 7 Drawing Sheets



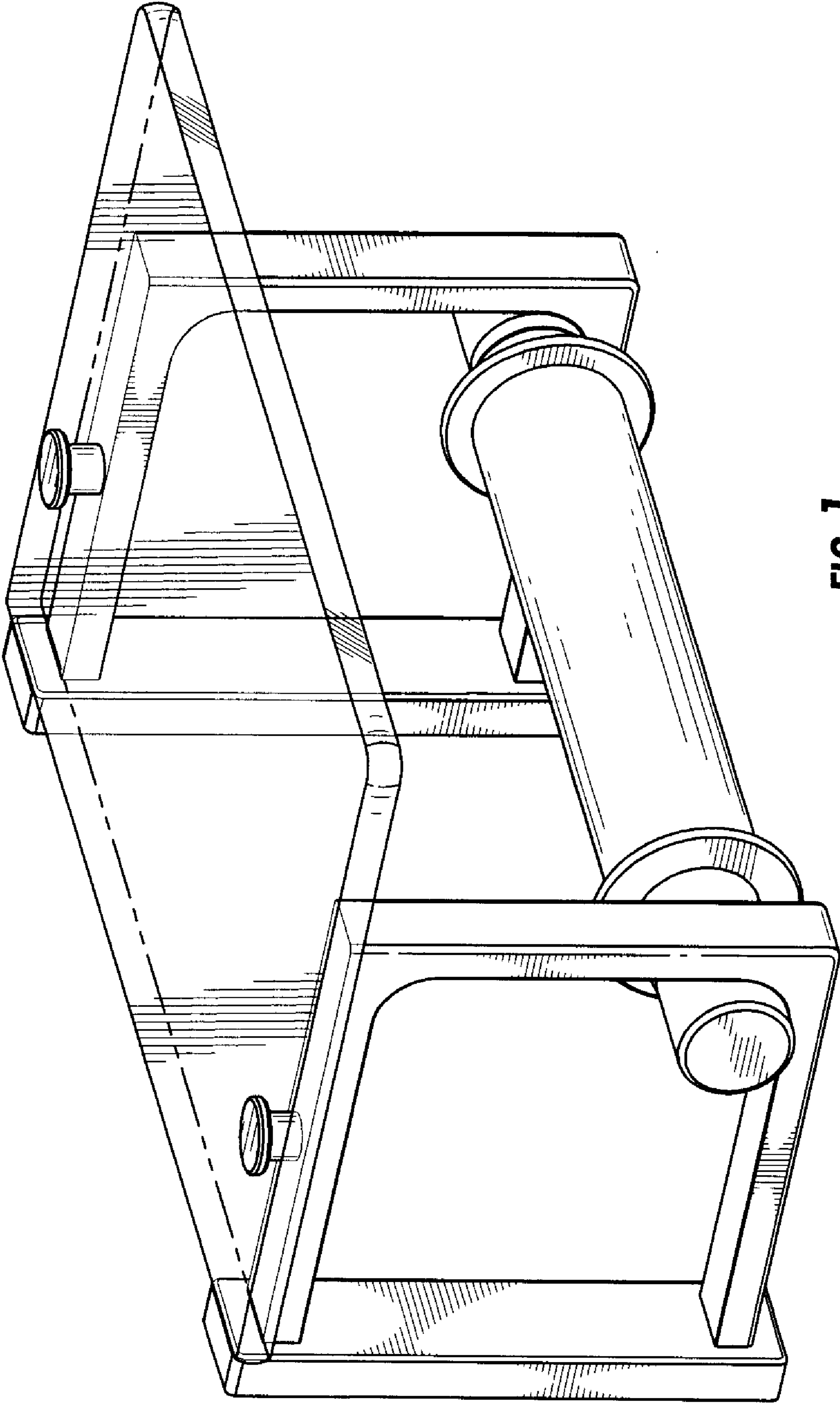


FIG. 1

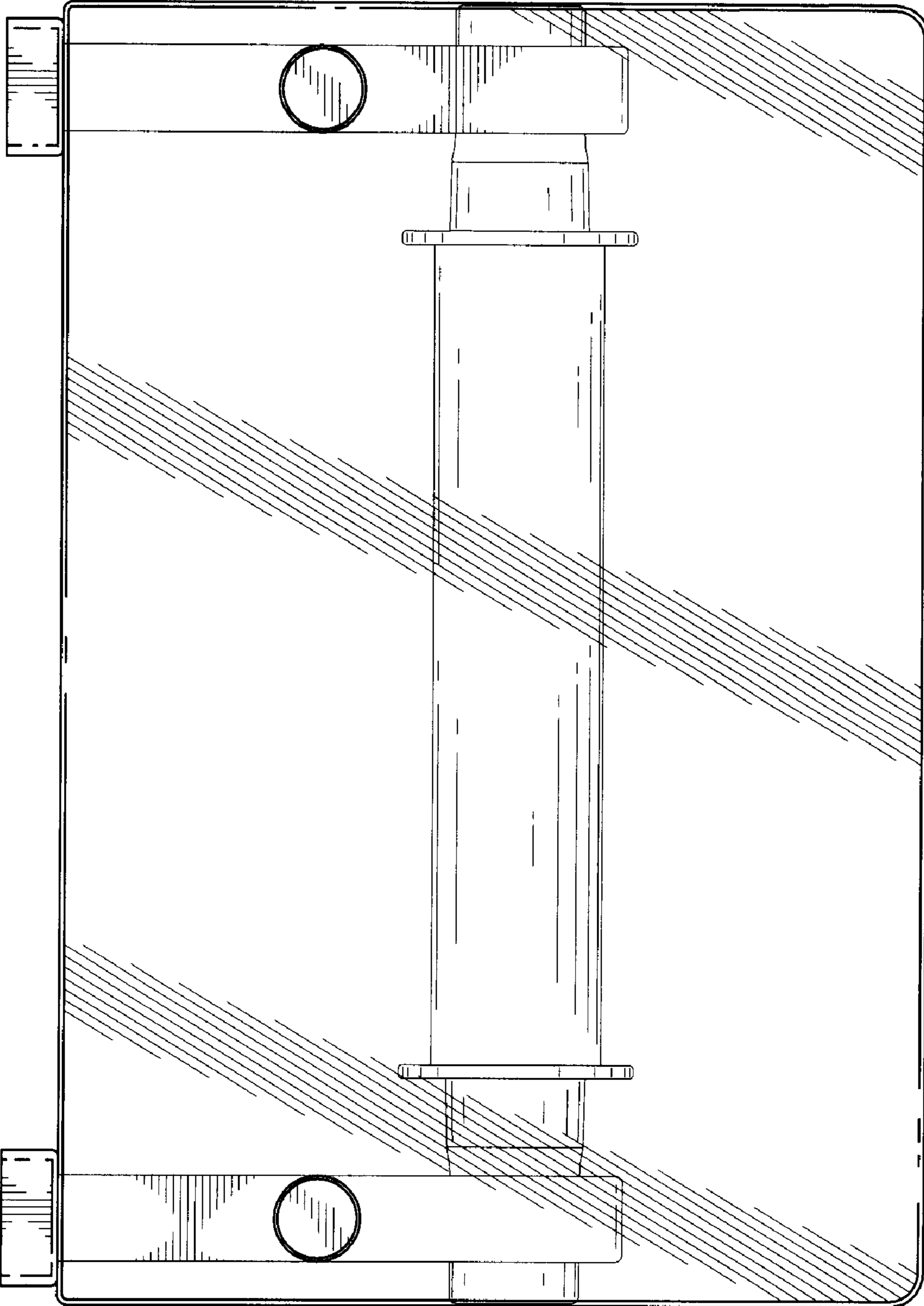


FIG. 2

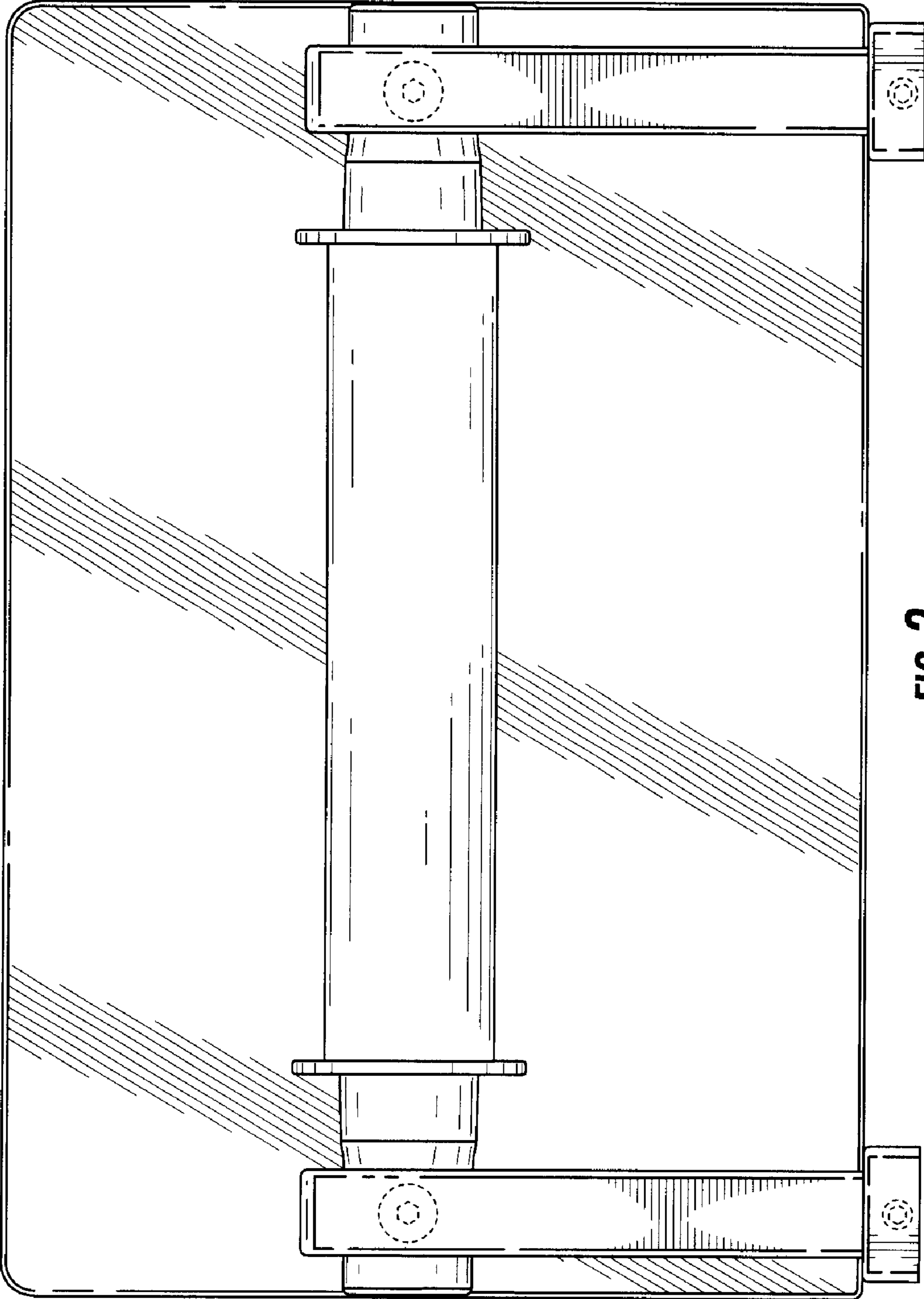


FIG. 3

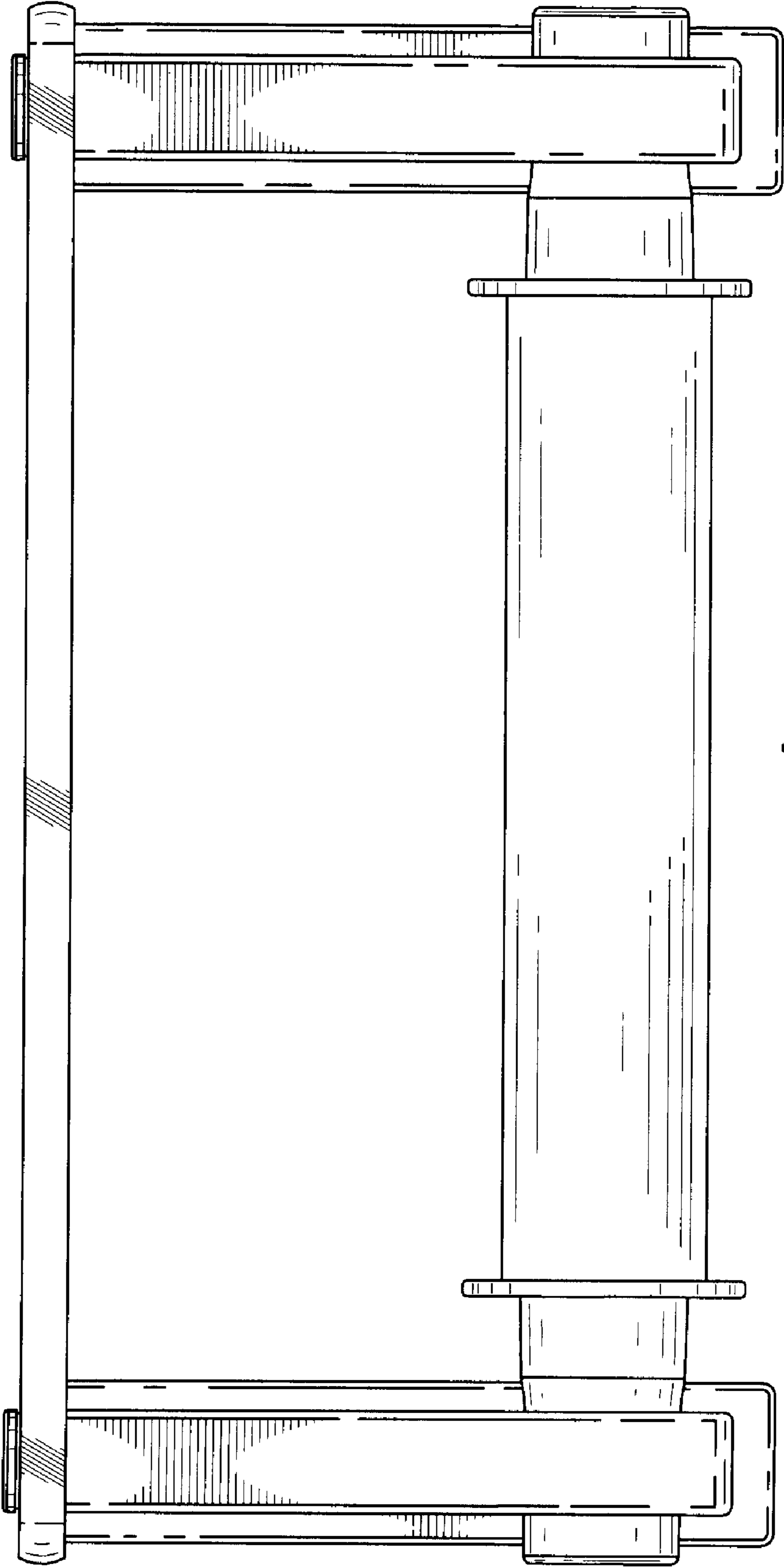


FIG. 4

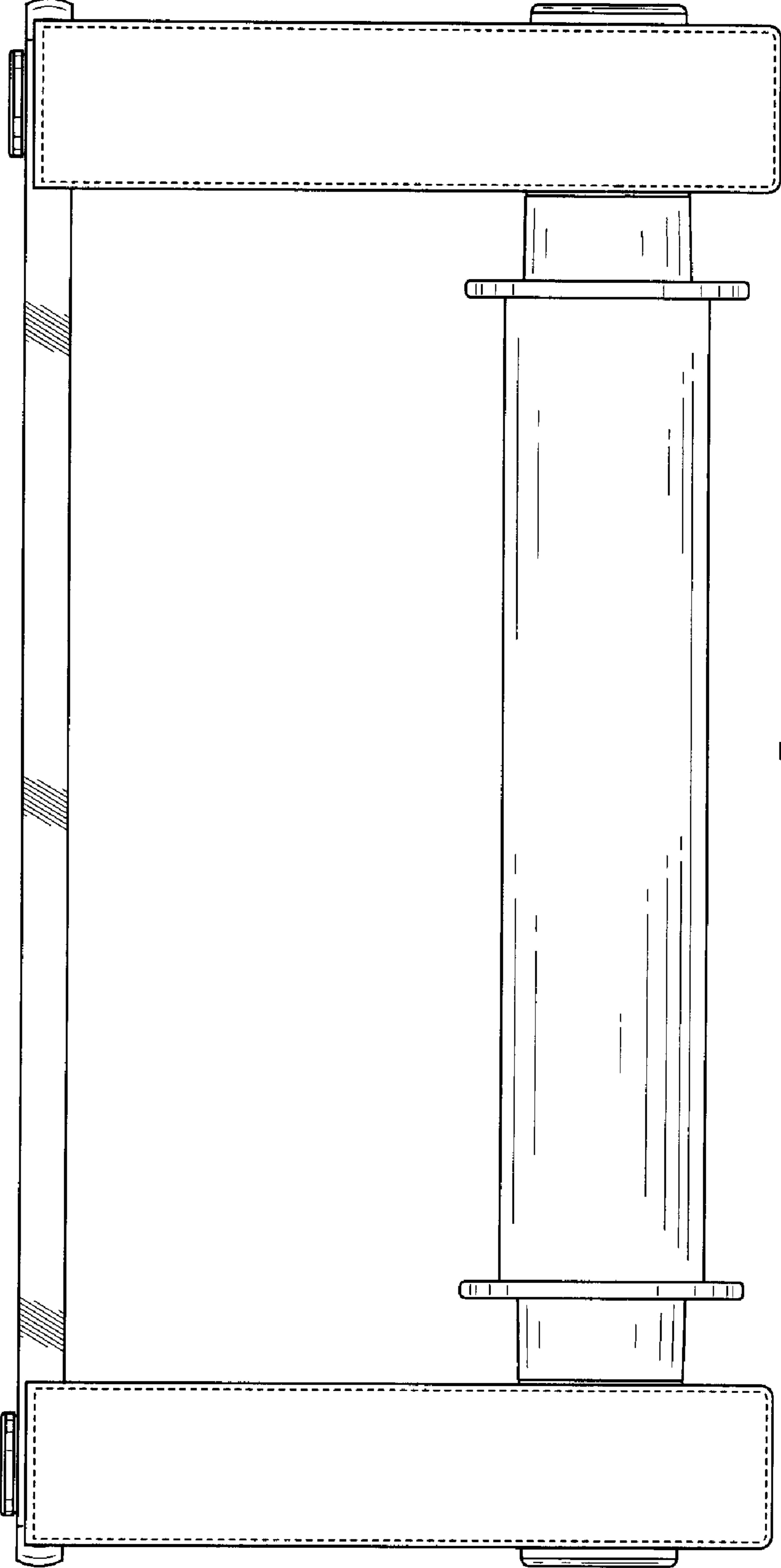


FIG. 5

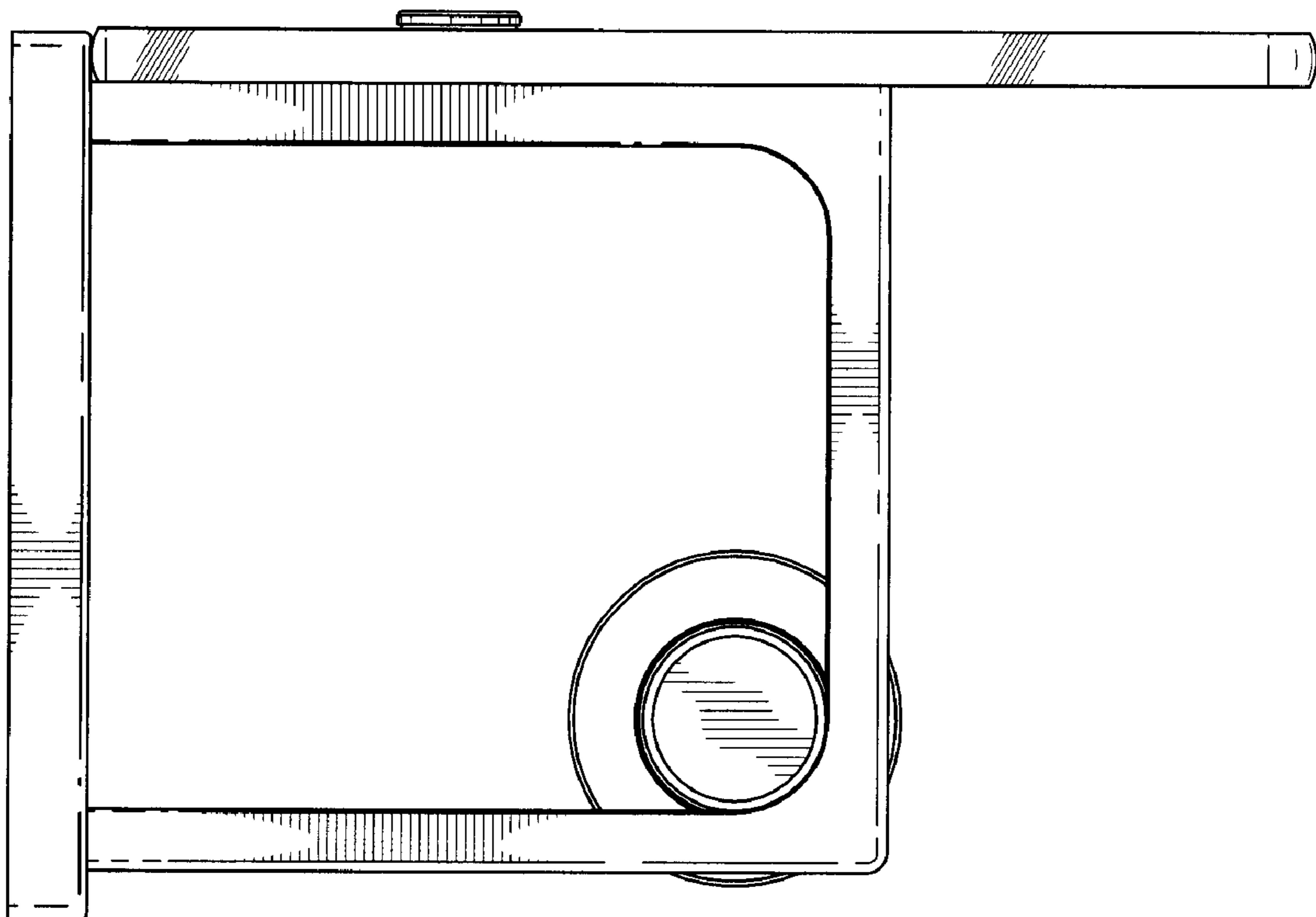


FIG. 6

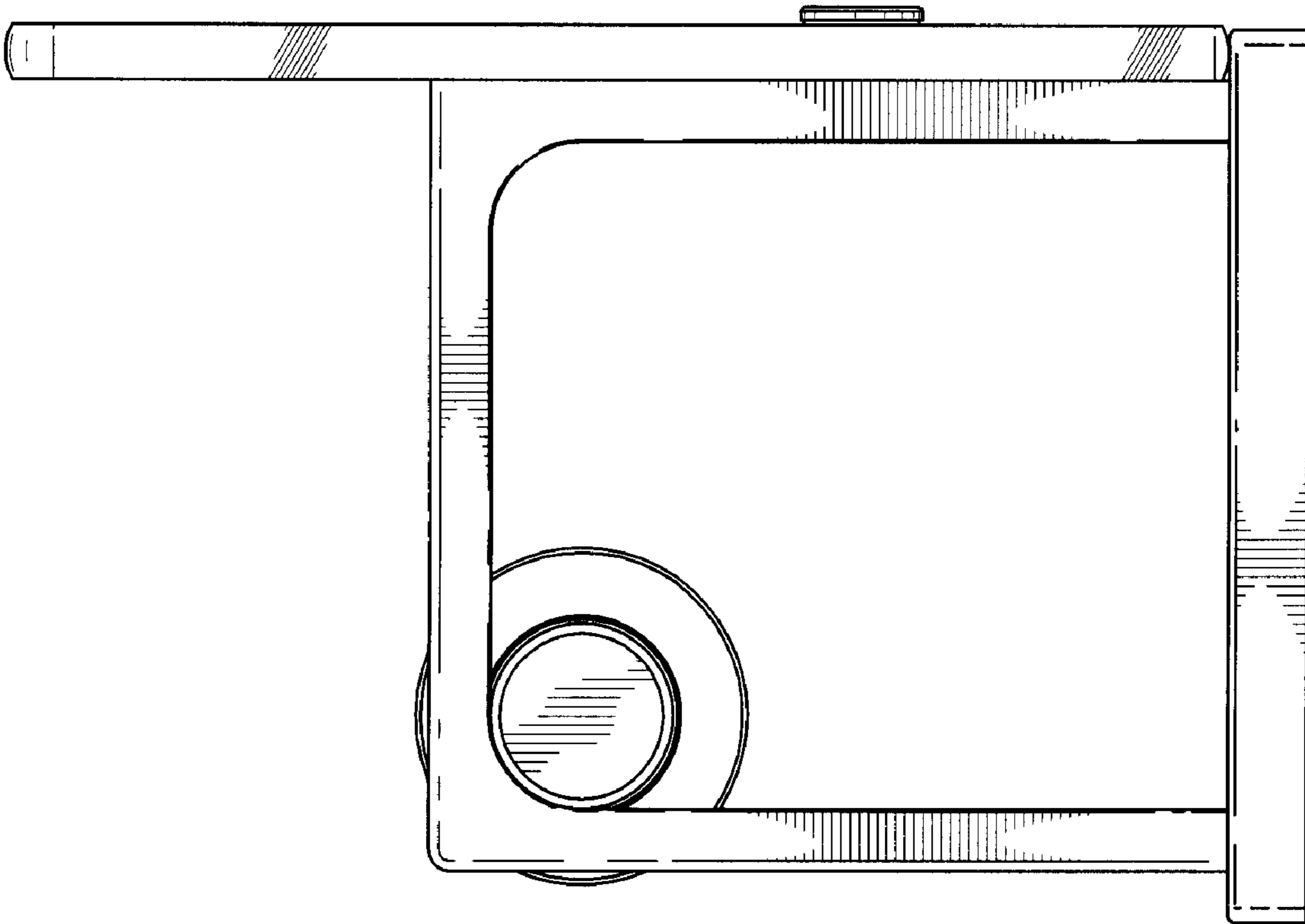


FIG. 7