



US00D512252S

(12) **United States Design Patent** (10) **Patent No.:** **US D512,252 S**
Glass et al. (45) **Date of Patent:** **** Dec. 6, 2005**

(54) **ROCKING CHAIR CARRIAGE ASSEMBLY**

(75) Inventors: **Peter Glass**, Arroyo Grande, CA (US);
Robert J. Mills, Torrance, CA (US);
Scott L. Fletcher, Redondo Beach, CA (US)

(73) Assignee: **Virco Mgmt. Corporation**, Torrance, CA (US)

(**) Term: **14 Years**

(21) Appl. No.: **29/207,360**

(22) Filed: **Jun. 10, 2004**

(51) **LOC (8) Cl.** **06-01**

(52) **U.S. Cl.** **D6/499; D6/348; D6/372**

(58) **Field of Search** D6/334, 335, 344, D6/348, 371-373, 499, 500-502; 297/451.3, 258.1, 270.3, 271.5, 271.6, 445.1, 452.18; D21/688

D198,312 S 6/1964 Gale D15/6
D198,625 S 7/1964 Lockshin D15/6
D207,310 S 4/1967 Caldemeyer et al. D15/6
D207,311 S 4/1967 Caldemeyer et al. D15/6
D207,313 S 4/1967 Caldemeyer et al. D15/6
D207,314 S 4/1967 Caldemeyer et al. D15/6
D215,930 S 11/1969 Mondragon D15/6
D225,495 S * 12/1972 Lamb D6/372
D225,928 S 1/1973 Lockwood D6/49
D235,709 S * 7/1975 Schier D6/372
D237,918 S 12/1975 Chapin et al. D6/49
D237,919 S 12/1975 Chapin et al. D6/49
D239,223 S 3/1976 Smith D6/49
D239,794 S 5/1976 Chapin et al. D6/49
D240,874 S * 8/1976 Lamb D6/372
D278,283 S 4/1985 Riart D6/348
D295,585 S * 5/1988 Mulhauser D6/372

(Continued)

Primary Examiner—Mimosa De
(74) *Attorney, Agent, or Firm*—Denton L. Anderson;
Sheldon & Mak; Robert M. Hupe

(56) **References Cited**
U.S. PATENT DOCUMENTS

D8,949 S	2/1876	Sulzbacher	
D24,301 S	5/1895	Harden	
D39,845 S	2/1909	Killian	
D43,442 S	1/1913	Taylor	
D48,329 S	12/1915	Severt	
D58,118 S	6/1921	Townsend	
D68,187 S	9/1925	Wurdack	
D99,956 S	6/1936	Morgan	
D100,540 S	7/1936	Carlson	
D107,271 S	11/1937	Vavrik	
D111,200 S	9/1938	Hasenstein	
D141,295 S	5/1945	Wright	D15/6
D141,551 S	6/1945	Edelson	D15/1
D150,894 S	9/1948	Smith	D15/6
D166,961 S	6/1952	Giglio	D15/6
D171,209 S	12/1953	Jones	D15/6
D173,881 S	1/1955	Pearl	D15/6
D180,031 S	4/1957	Pearlstone	D15/6
D182,182 S	2/1958	Herschell	D15/6
D194,840 S	3/1963	Ridder et al.	D15/6

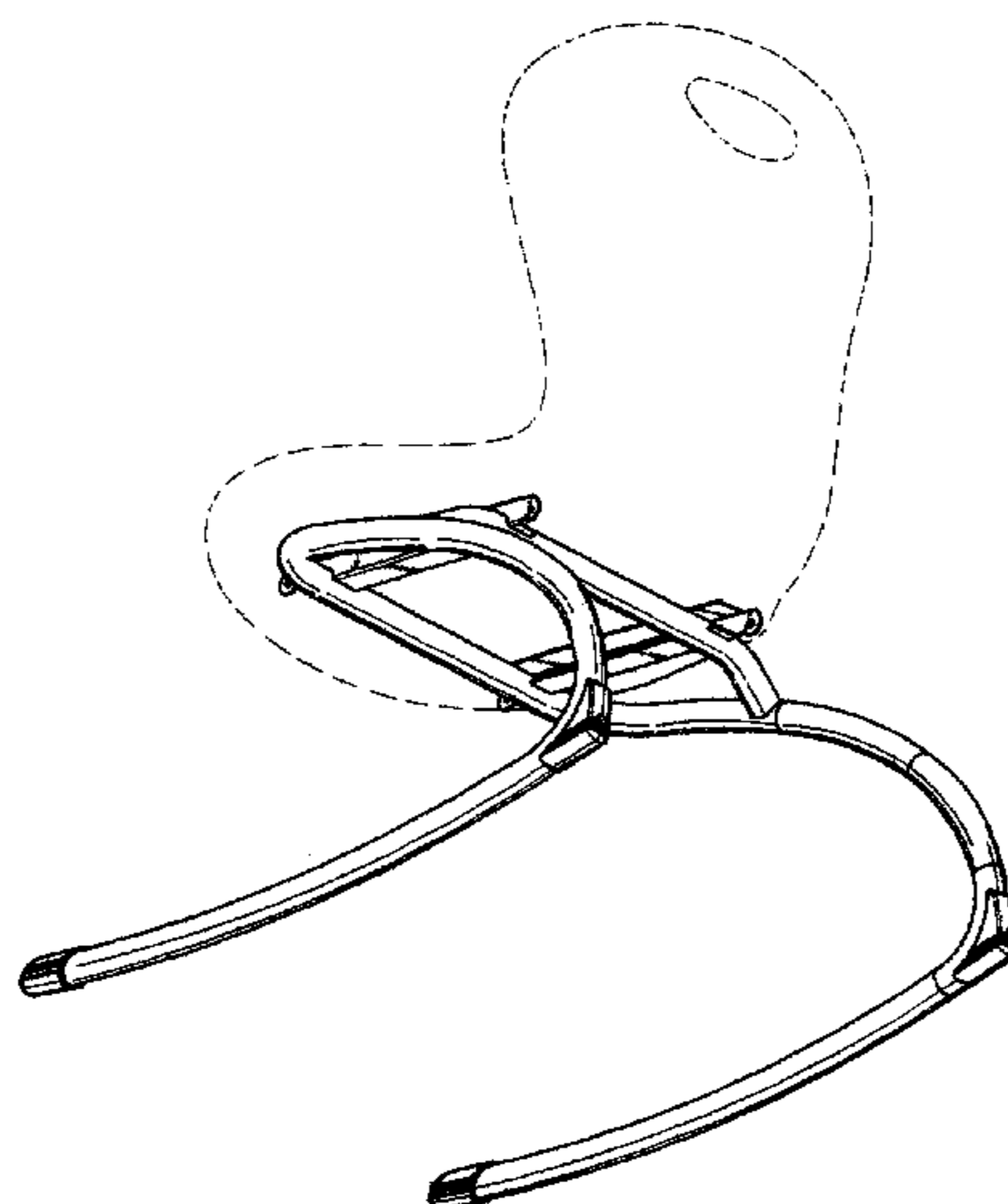
(57) **CLAIM**

The ornamental design for a rocking chair carriage assembly, as shown and described.

DESCRIPTION

FIG. 1 is a perspective view of the rocking chair carriage assembly of the invention;
FIG. 2 is a front view of the rocking chair carriage assembly illustrated in FIG. 1;
FIG. 3 is a side view of the rocking chair carriage assembly illustrated in FIG. 1;
FIG. 4 is a top view of the rocking chair carriage assembly illustrated in FIG. 1;
FIG. 5 is a bottom view of the rocking chair carriage assembly illustrated in FIG. 1;
FIG. 6 is a rear view of the rocking chair carriage assembly illustrated in FIG. 1; and,
FIG. 7 is a second perspective view of the rocking chair carriage assembly illustrated in FIG. 1.

1 Claim, 4 Drawing Sheets



US D512,252 S

Page 2

U.S. PATENT DOCUMENTS

D359,169 S	6/1995	Willens	D6/348	D503,559 S	*	4/2005	Glass et al.	D6/372
5,560,675 A	10/1996	Alzheimer et al.	297/33	2003/0214172 A1	*	11/2003	Bosman et al.	297/451.3
D412,406 S	8/1999	Stumpf et al.	D6/348	2003/0227210 A1	*	12/2003	Bosman et al.	297/451.3
D474,348 S	*	5/2003	Bosman et al.	D6/372	*	6/2004	Bosman et al.	297/451.3

* cited by examiner

FIG. 2

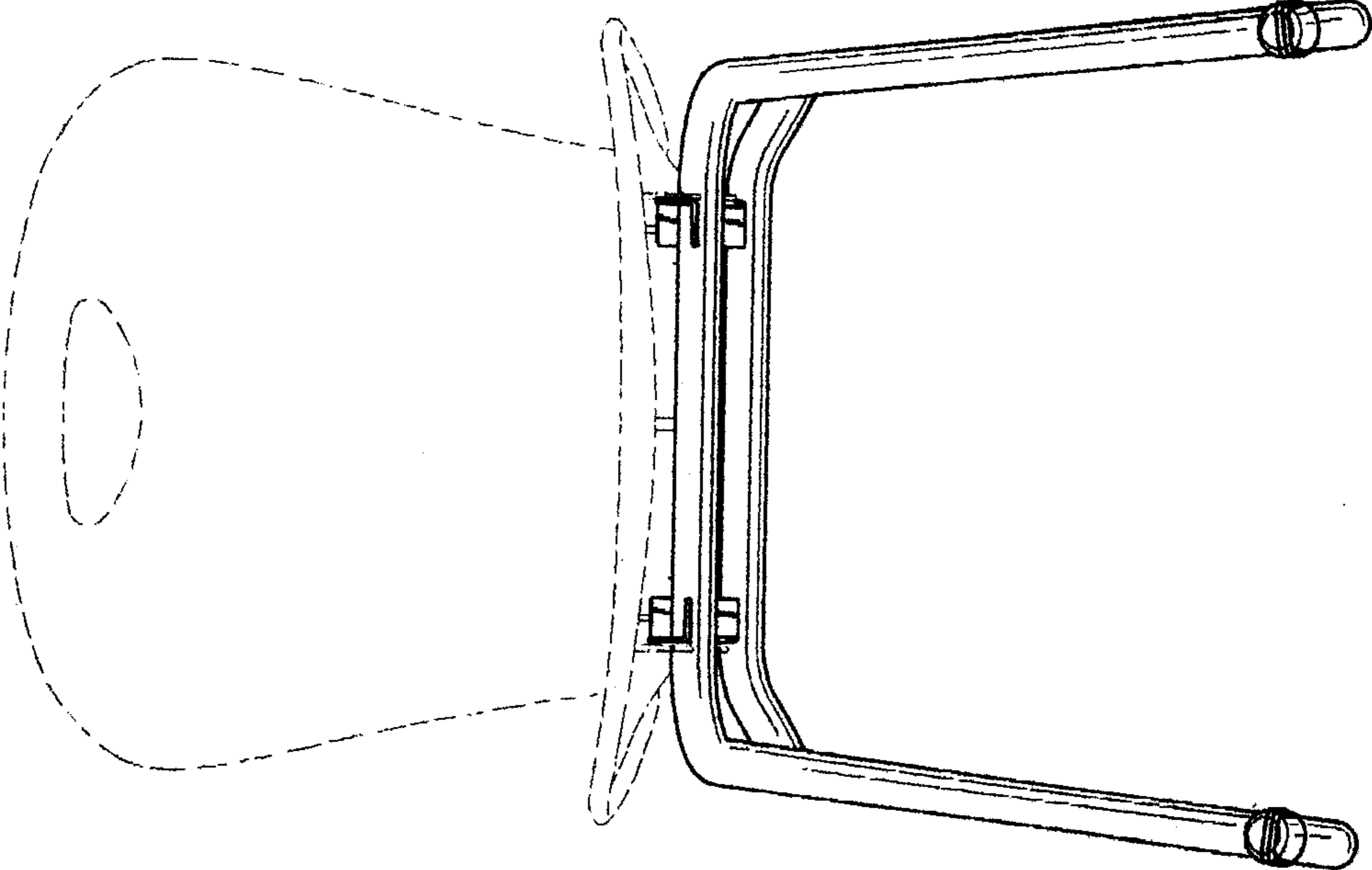


FIG. 1

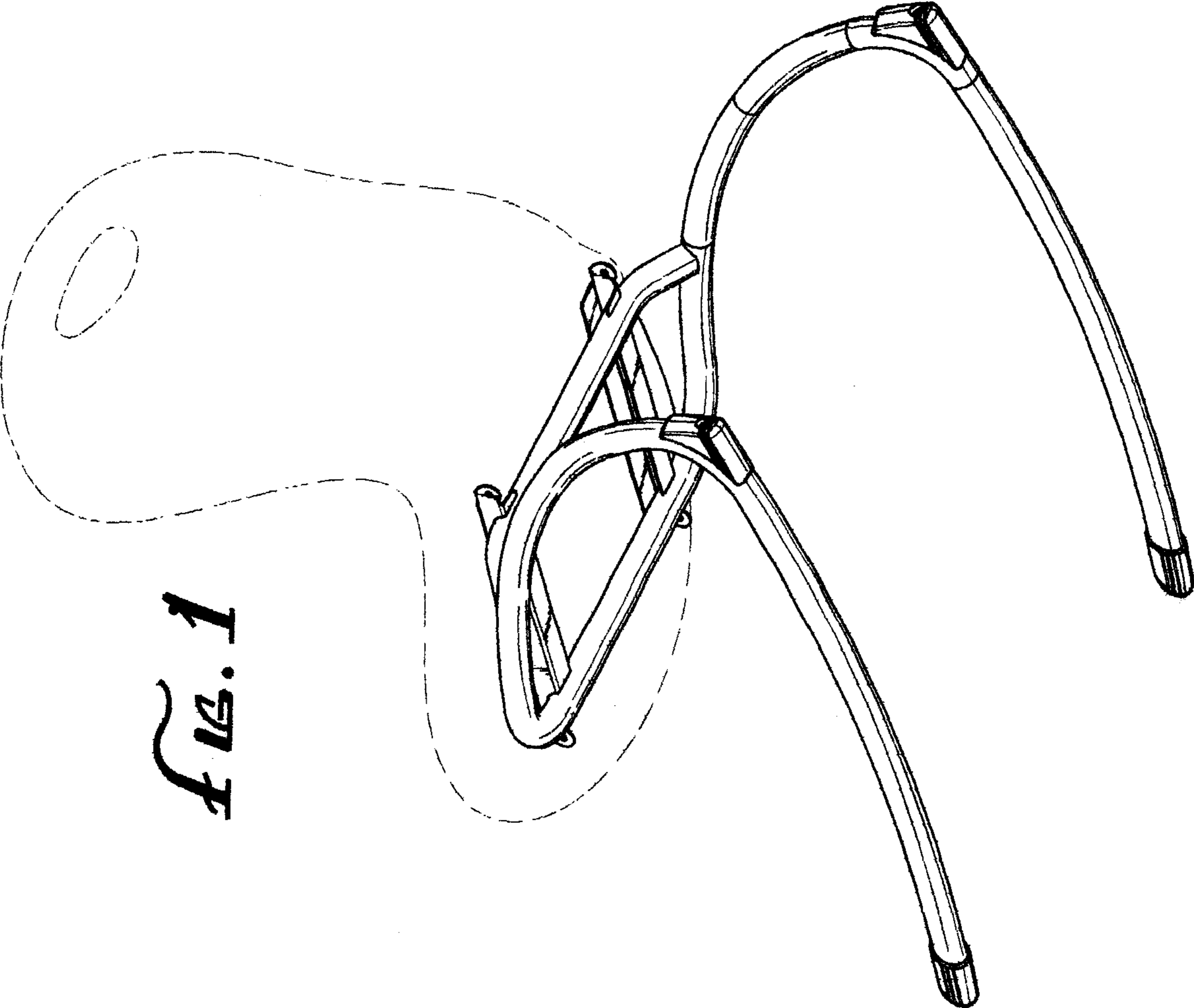


FIG. 4

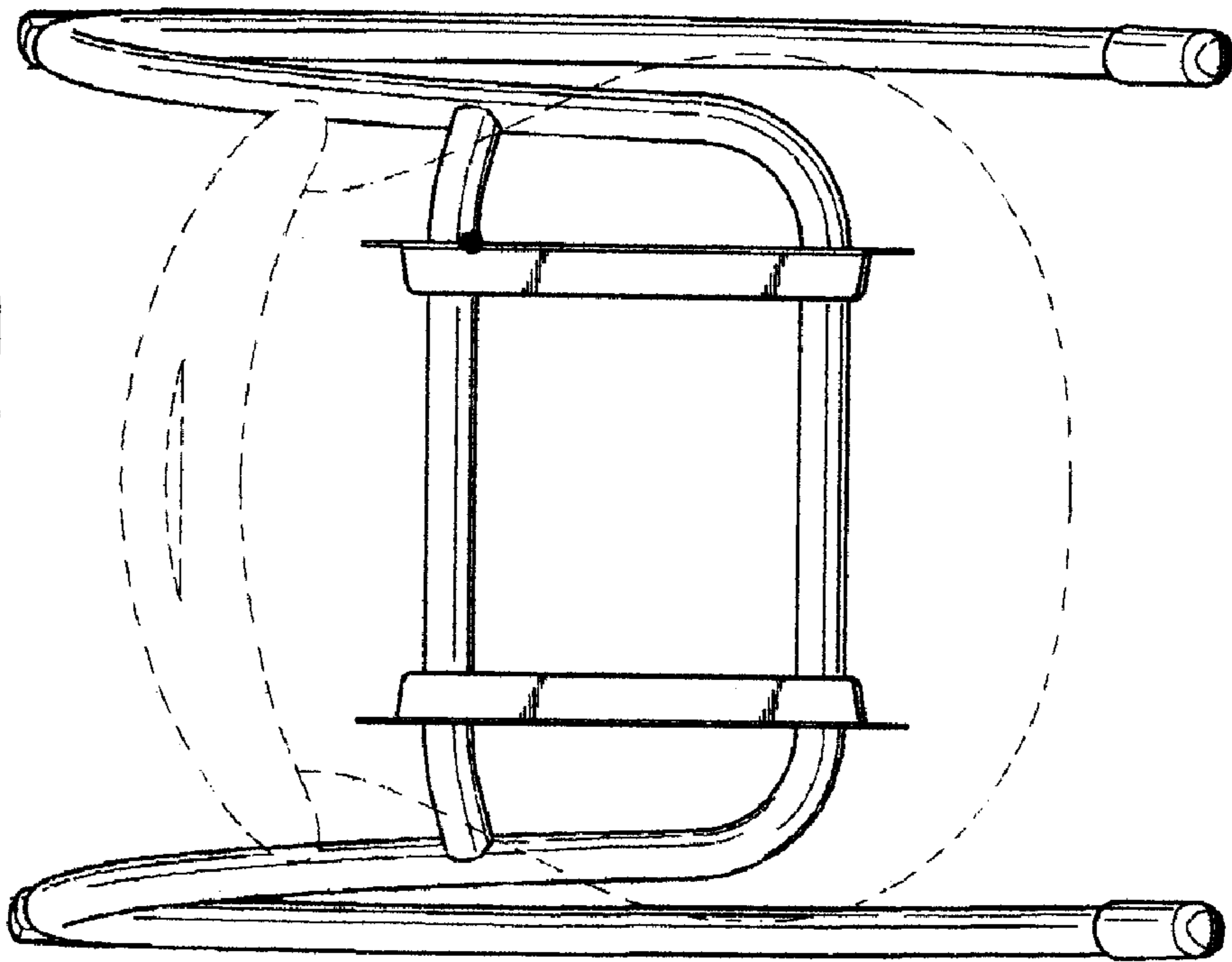


FIG. 3

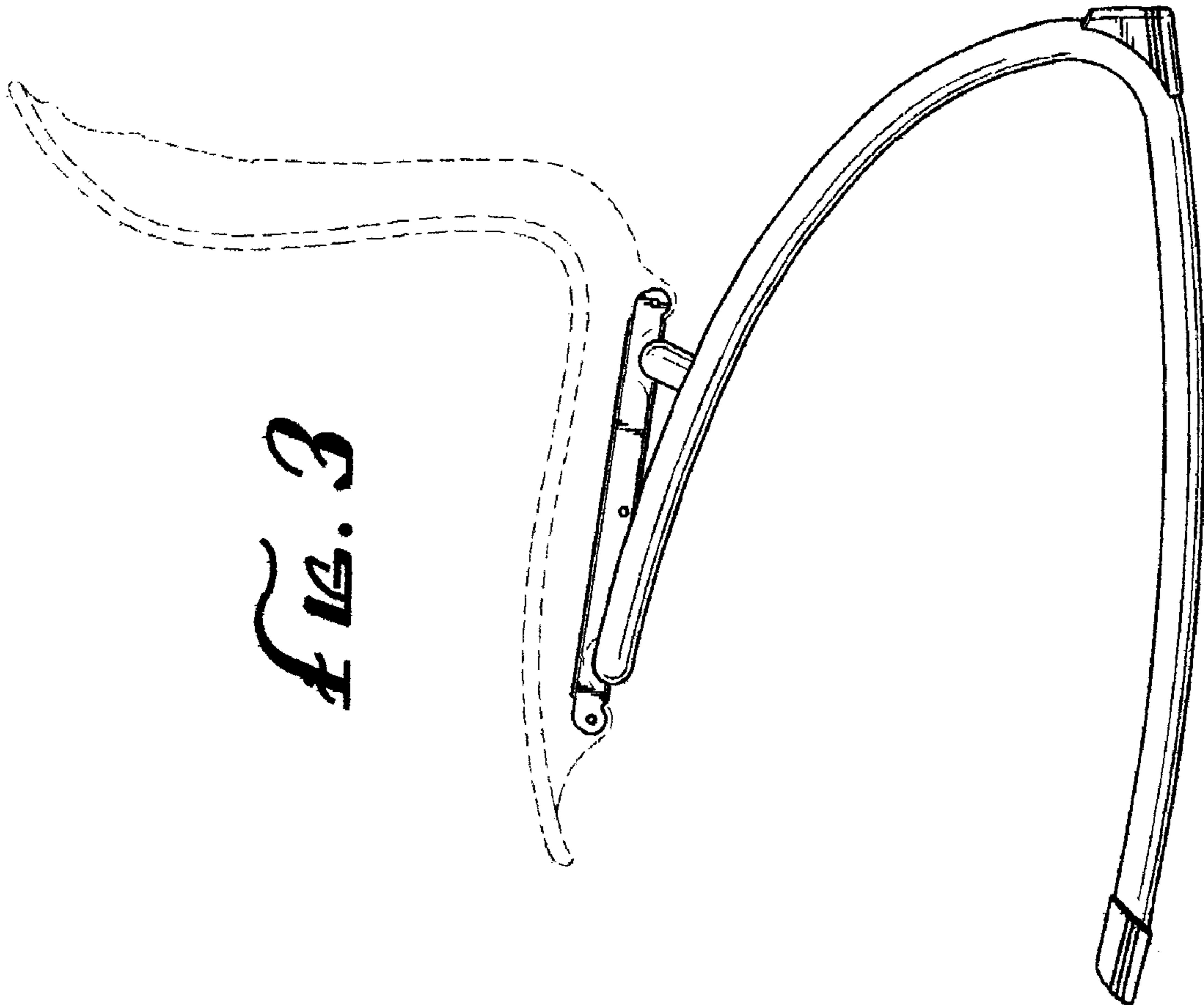


FIG. 4

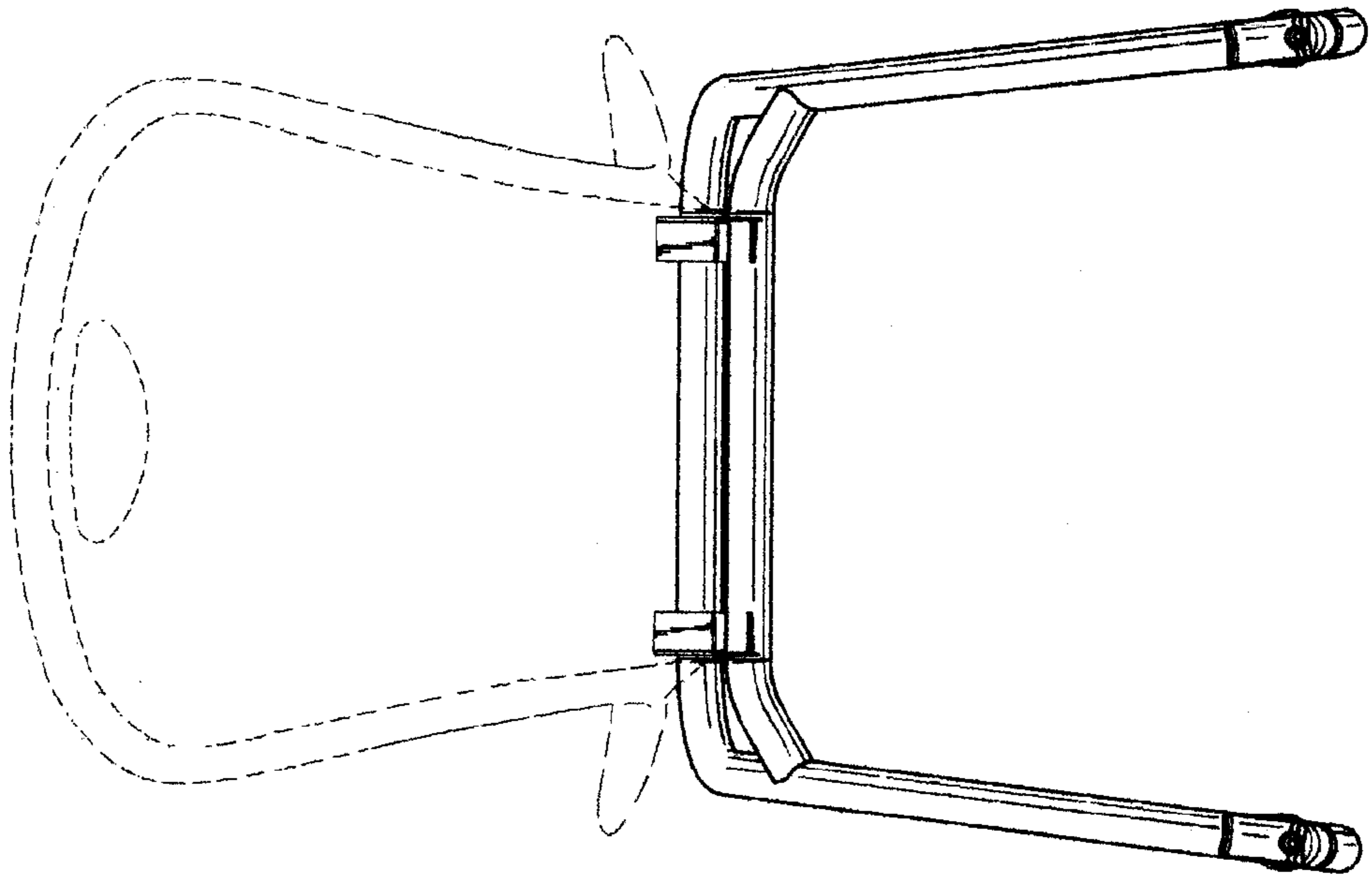


FIG. 5

