



US00D512249S

(12) **United States Design Patent**  
**Martin**

(10) **Patent No.:** **US D512,249 S**

(45) **Date of Patent:** **\*\* Dec. 6, 2005**

(54) **DESK**

D352,851 S \* 11/1994 Hosoe ..... D6/482

(76) **Inventor:** **John R. Martin**, 5635 Nebeshonee La.,  
Rockford, IL (US) 61103

\* cited by examiner

(\*\*) **Term:** **14 Years**

*Primary Examiner*—Janice E. Seeger  
(74) *Attorney, Agent, or Firm*—McAndrews, Held & Malloy

(21) **Appl. No.:** **29/202,164**

(22) **Filed:** **Mar. 26, 2004**

(57) **CLAIM**

The ornamental design for a desk, as shown and described.

(51) **LOC (8) Cl.** ..... **06-03**

(52) **U.S. Cl.** ..... **D6/480; D6/422**

(58) **Field of Search** ..... D6/422-428; 108/50.01,  
108/50.02; 312/194-196, 208.1, 208.2

**DESCRIPTION**

FIG. 1 is a perspective view of a desk, showing my new design;

FIG. 2 is a top plan view of the desk;

FIG. 3 is a front elevational view of the desk; and,

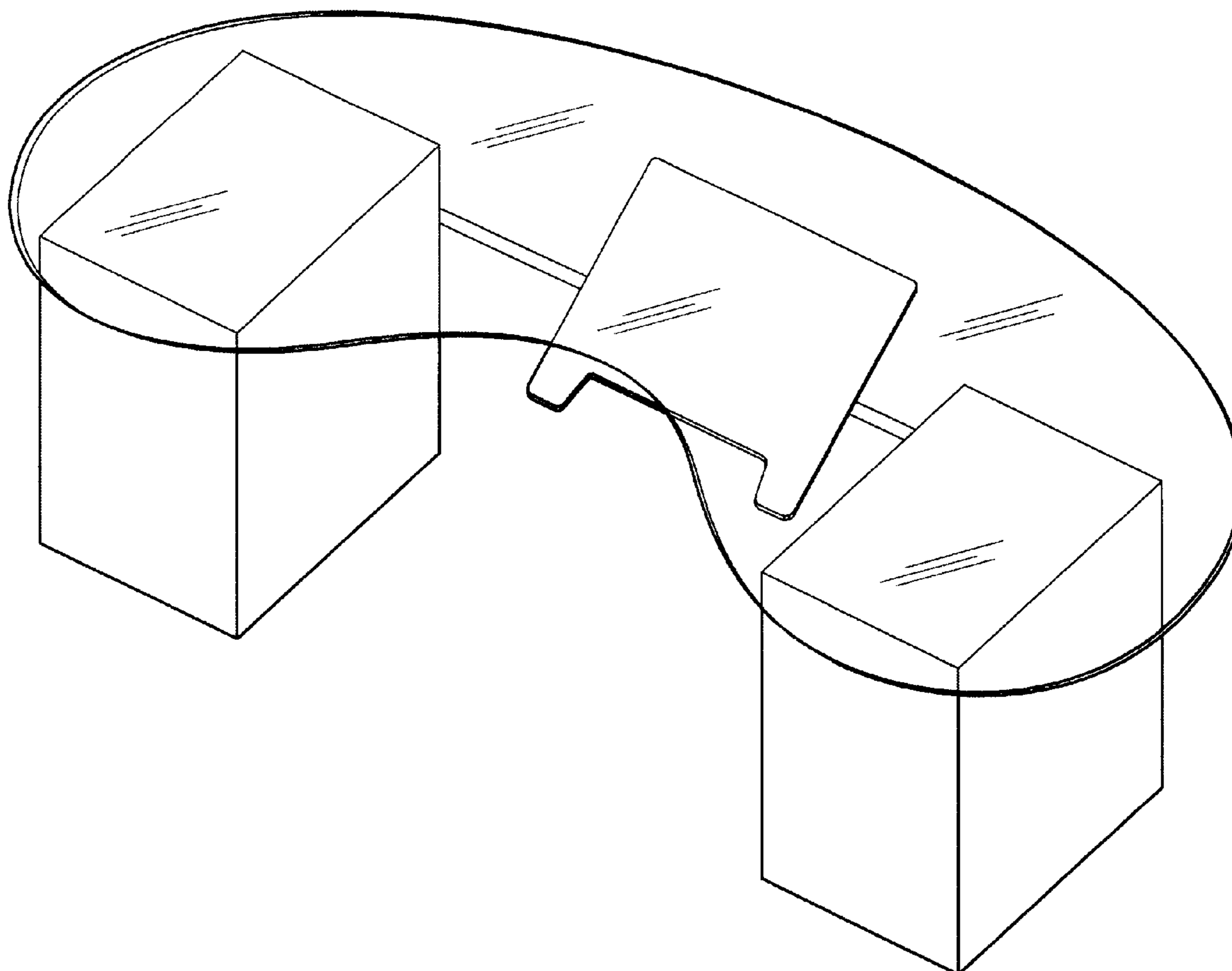
FIG. 4 is a right side elevational view of the desk, the left side being a mirror image thereof.

(56) **References Cited**

**U.S. PATENT DOCUMENTS**

- D234,559 S \* 3/1975 Waltzman ..... D6/428
- D244,734 S \* 6/1977 Laroye ..... D6/428
- 5,071,204 A \* 12/1991 Price et al. .... 312/194

**1 Claim, 2 Drawing Sheets**



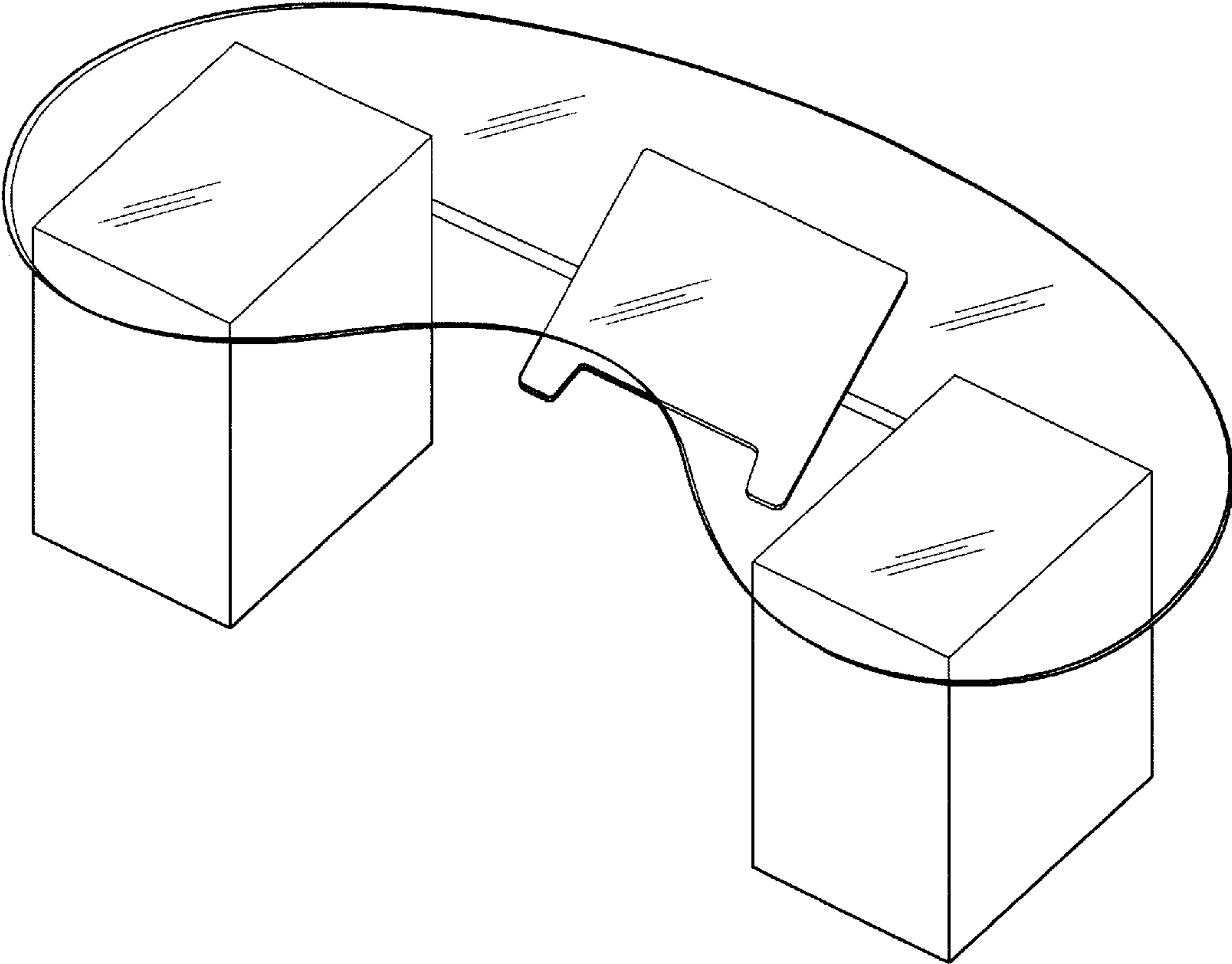


FIG. 1

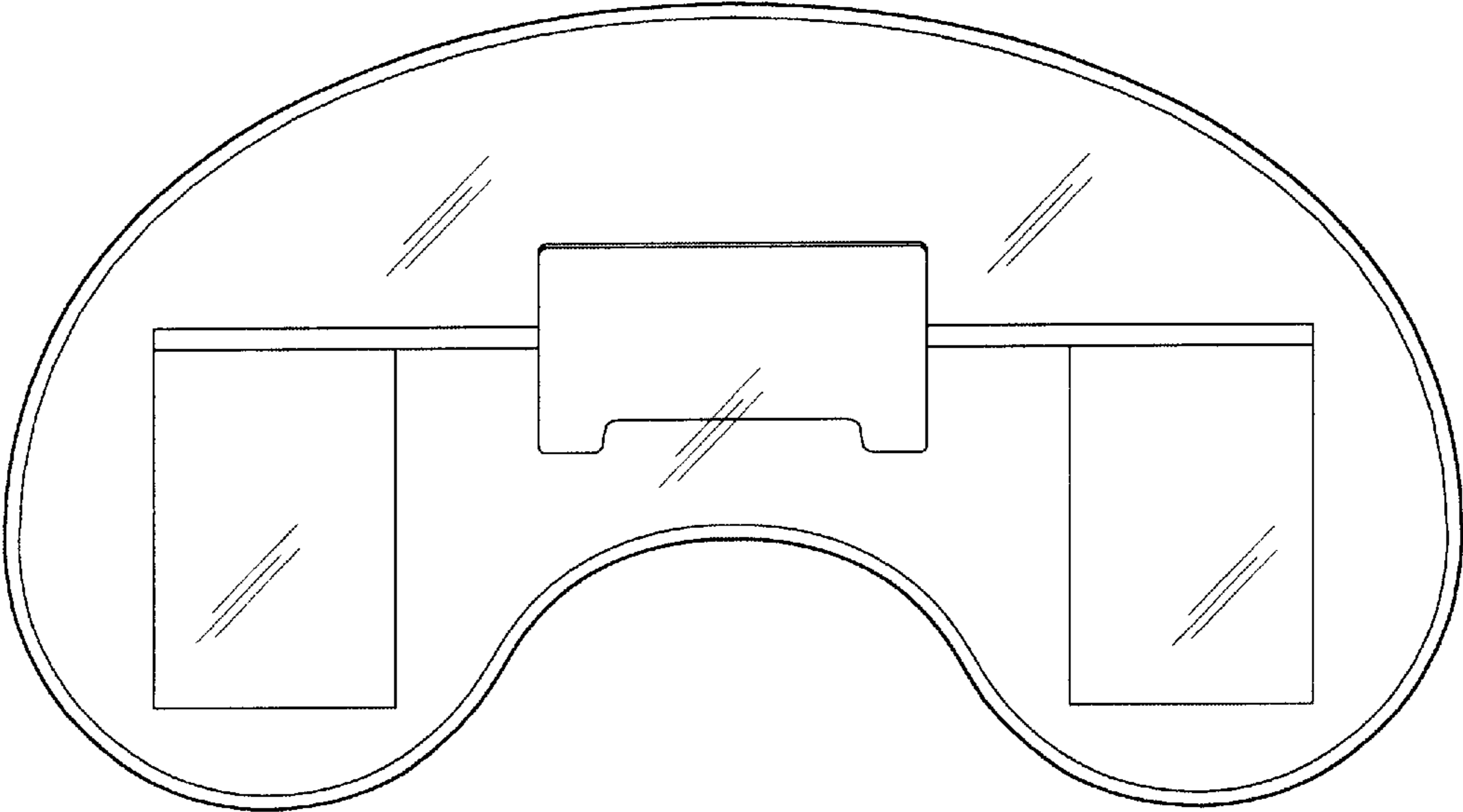


FIG. 2

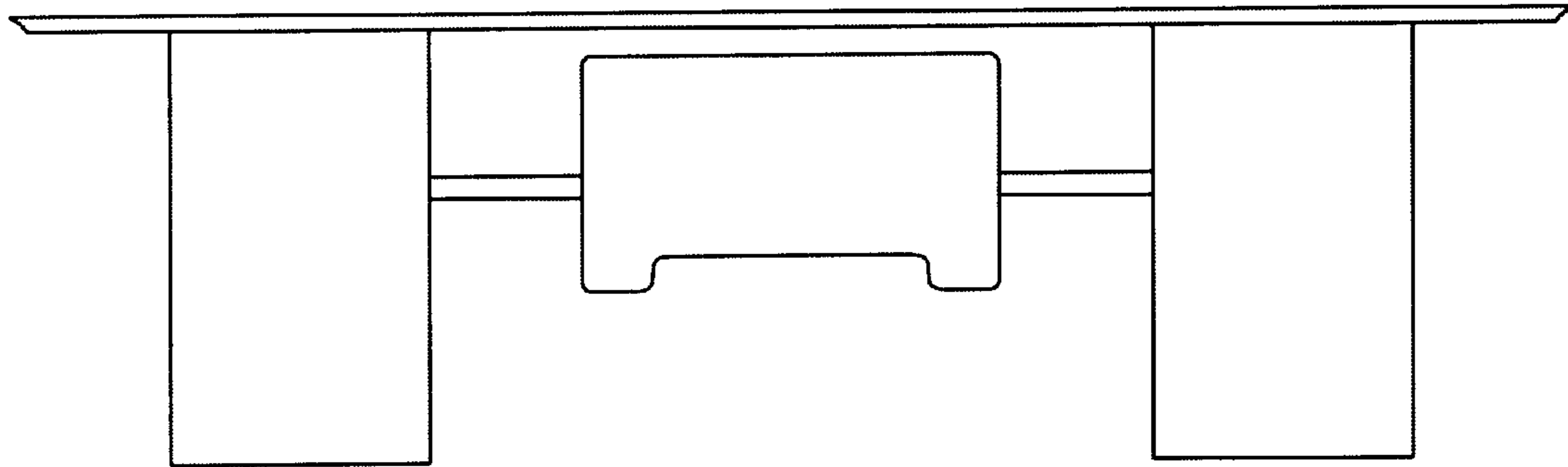


FIG. 3

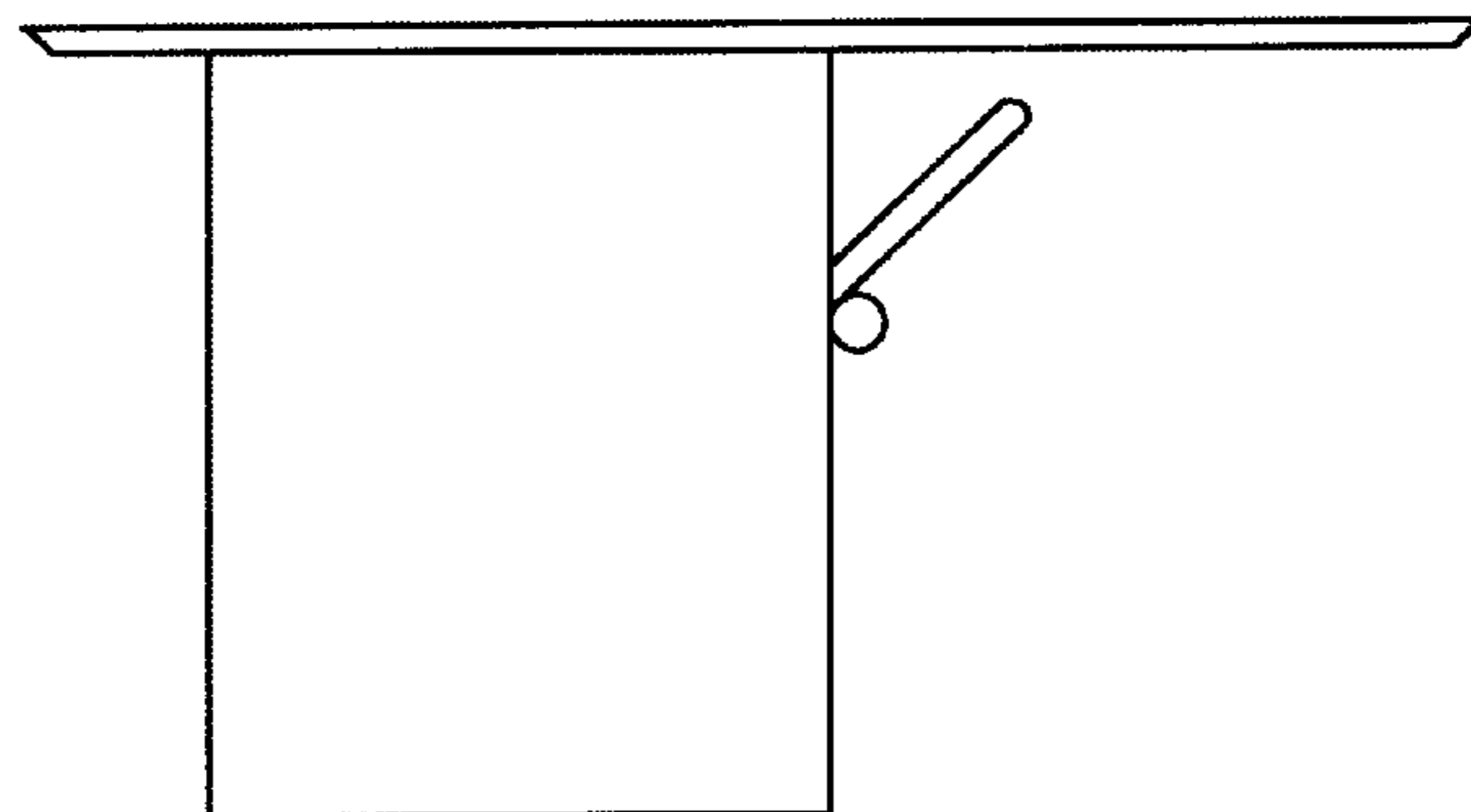


FIG. 4