



US00D512246S

(12) **United States Design Patent**  
**Welch et al.**

(10) **Patent No.: US D512,246 S**  
(45) **Date of Patent: \*\* Dec. 6, 2005**

(54) **FOOD PREPARATION TABLE**

(75) Inventors: **Robert J. Welch**, Dallas, PA (US);  
**Douglas J. Kaminski**, West Wyoming,  
PA (US); **Robert R. Steele**, Sweet  
Valley, PA (US); **Robert K. Swartz**,  
Dallas, PA (US); **Alan Gula**,  
Wilkes-Barre, PA (US); **David**  
**Barsigian**, Old Forge, PA (US)

(73) Assignee: **Metro Industries Inc.**, Reno, NV (US)

(\*\*) Term: **14 Years**

(21) Appl. No.: **29/195,800**

(22) Filed: **Dec. 18, 2003**

(51) **LOC (8) Cl. .... 06-04**

(52) **U.S. Cl. .... D6/436; D6/426; D6/477**

(58) **Field of Search .... D6/396, 397, 402,**  
D6/426, 436, 470, 472, 476, 477, 481;  
211/13.1, 85.1, 85.3, 85.4; 312/114, 118,  
119, 140.1; 108/28, 50.11, 137, 149; 62/258;  
D25/16

(56) **References Cited**

**U.S. PATENT DOCUMENTS**

3,169,810 A \* 2/1965 Levy et al. .... 312/140.1  
D252,549 S \* 8/1979 Lee ..... D6/397

D306,101 S \* 2/1990 Borsani ..... D6/426  
5,048,857 A \* 9/1991 Stevens ..... 108/167  
D320,513 S \* 10/1991 Atkins ..... D6/397  
D367,777 S \* 3/1996 Arnone ..... D6/436  
D379,664 S \* 6/1997 Horton ..... D25/16  
D462,780 S \* 9/2002 Cohn ..... D25/16  
D463,571 S \* 9/2002 Cohn ..... D25/16

\* cited by examiner

*Primary Examiner*—Cathron C. Brooks

(74) *Attorney, Agent, or Firm*—Fitzpatrick, Cella, Harper & Scinto

(57) **CLAIM**

The ornamental design for a food preparation table, as shown and described.

**DESCRIPTION**

FIG. 1 is a perspective view of the food preparation table in accordance with the present invention.

FIG. 2 is a right side elevational view thereof.

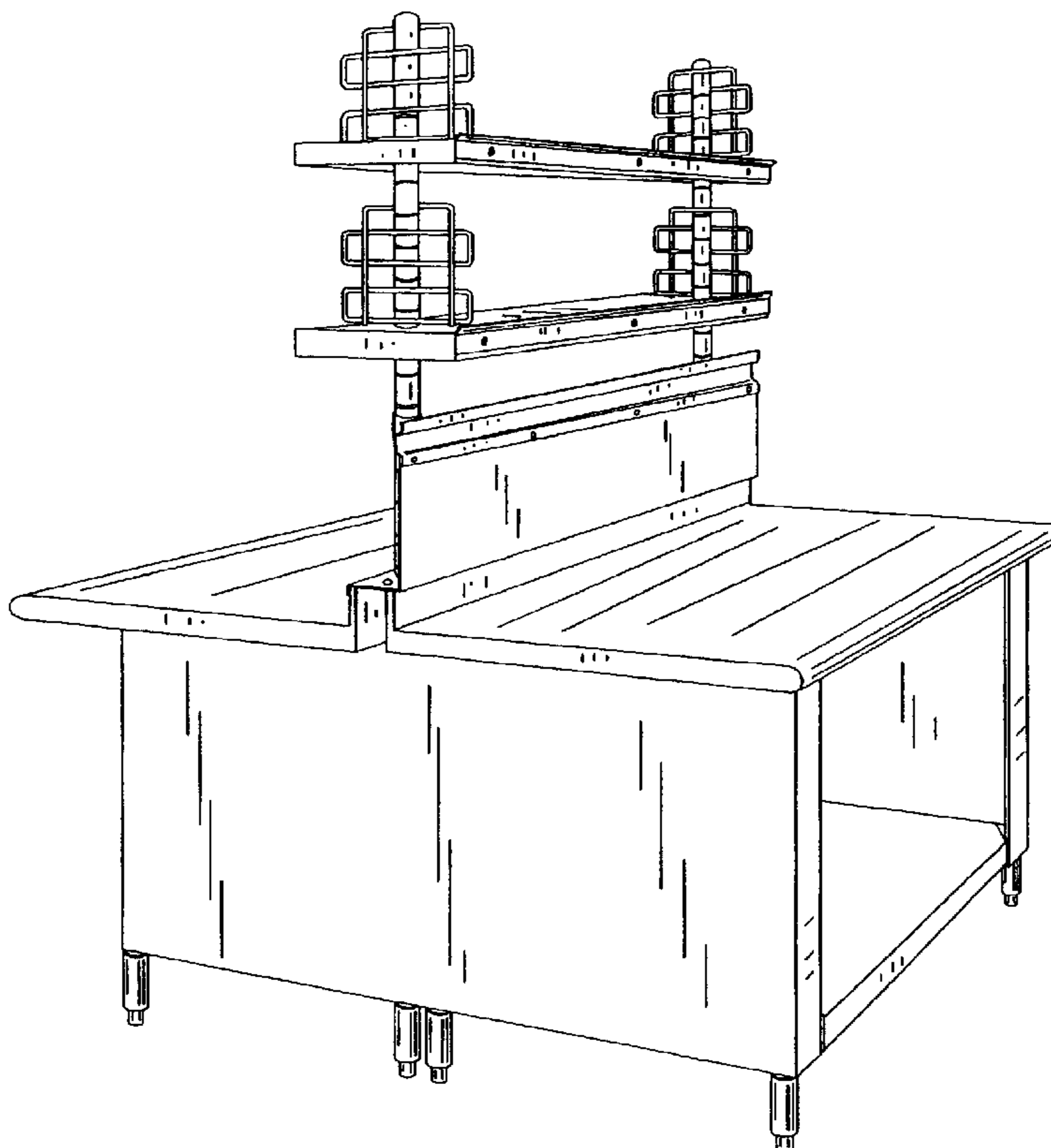
FIG. 3 is a left side elevational view thereof.

FIG. 4 is a front elevational view thereof, the rear elevational view thereof being a mirror image of the front elevational view.

FIG. 5 is a top plan view thereof; and,

FIG. 6 is a bottom plan view thereof.

**1 Claim, 6 Drawing Sheets**



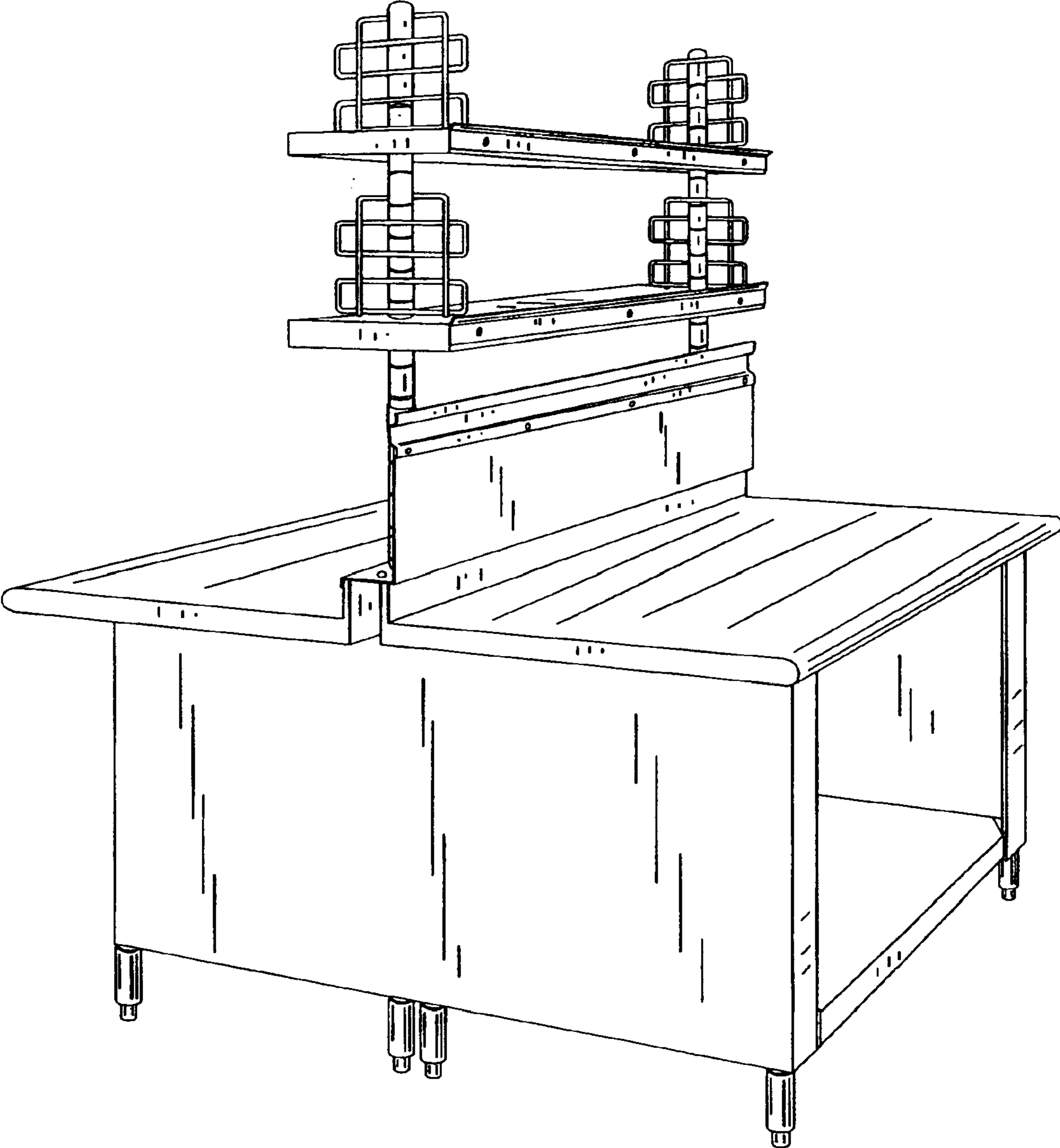


FIG. 1

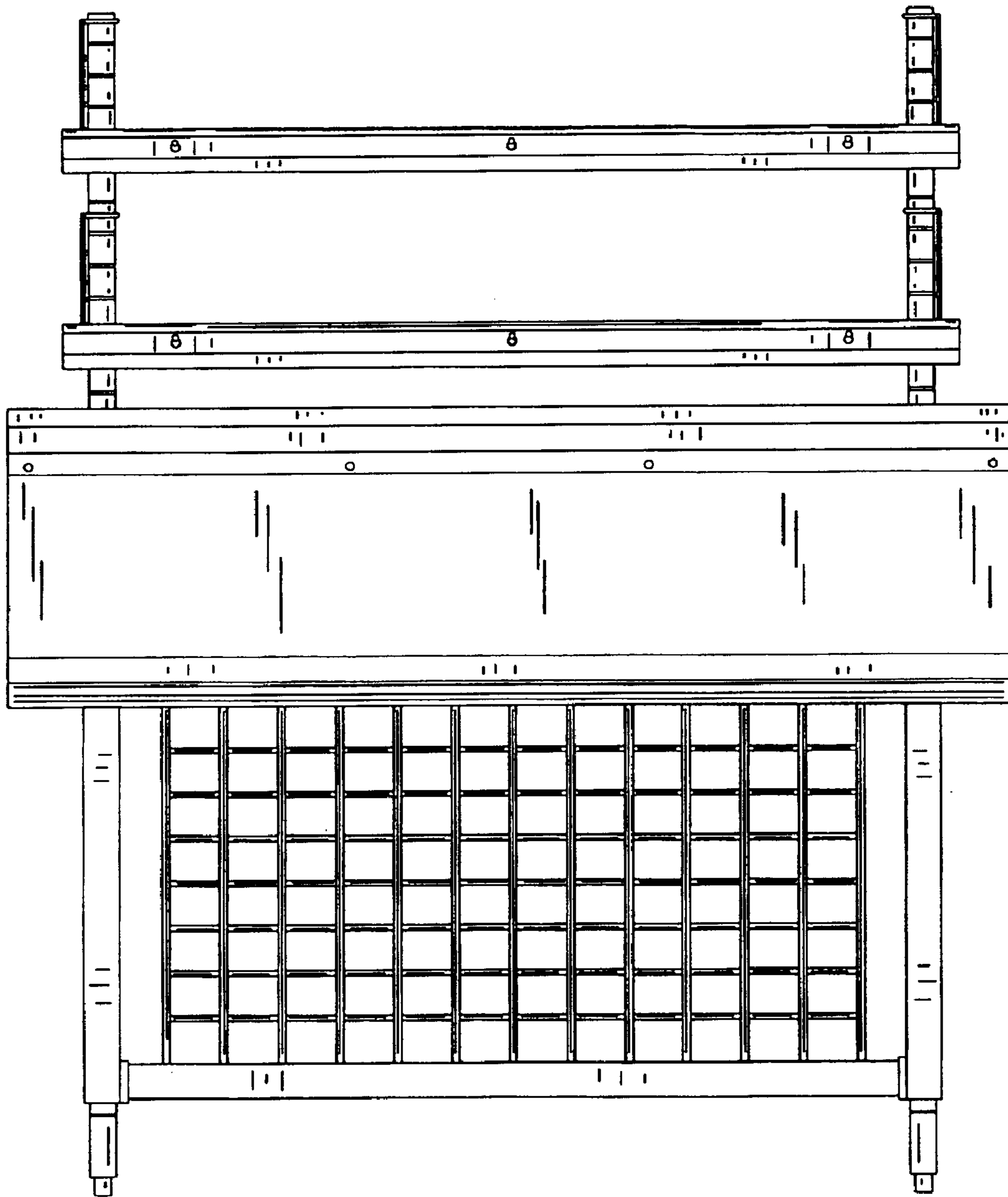


FIG. 2

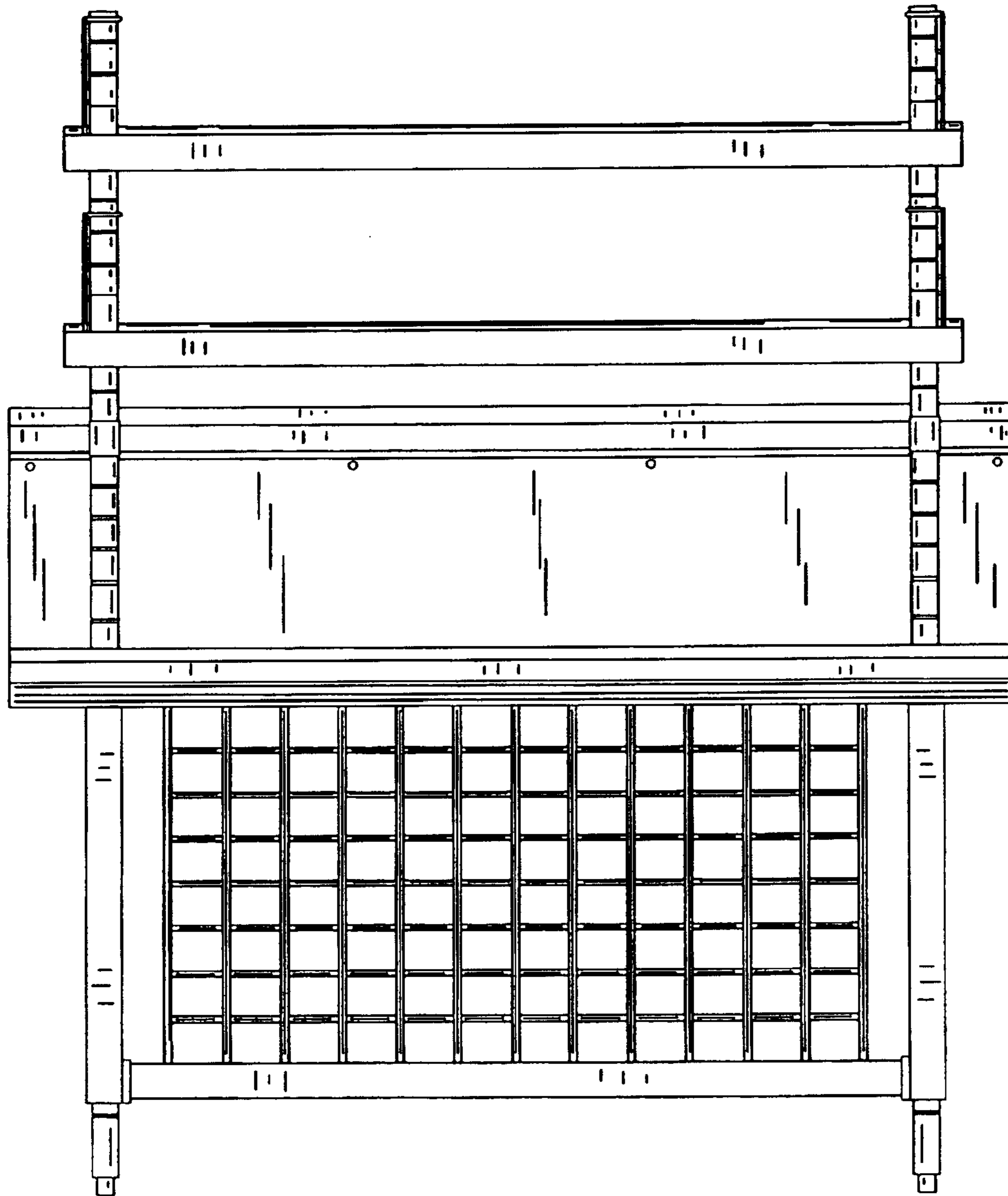


FIG. 3

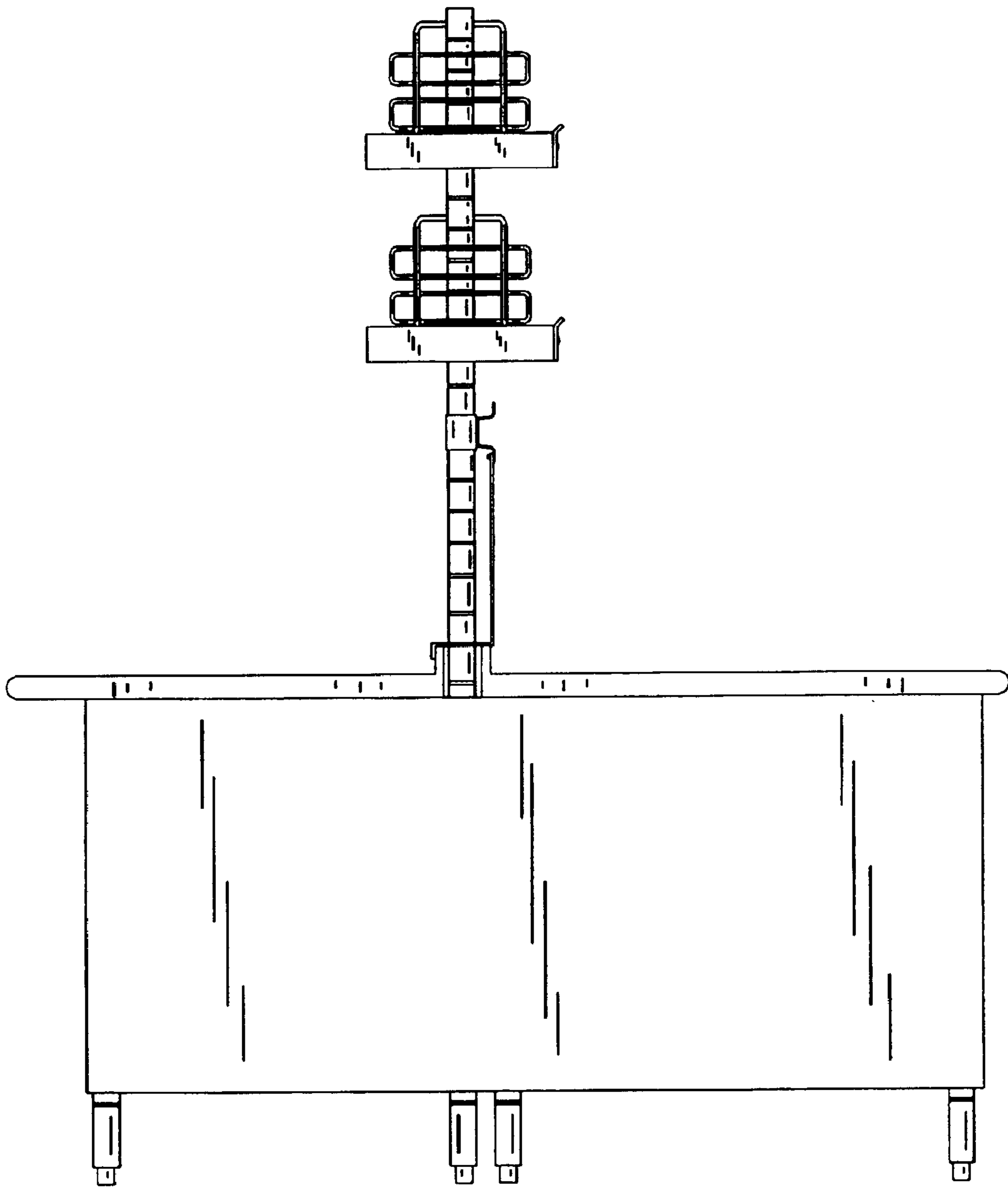


FIG. 4

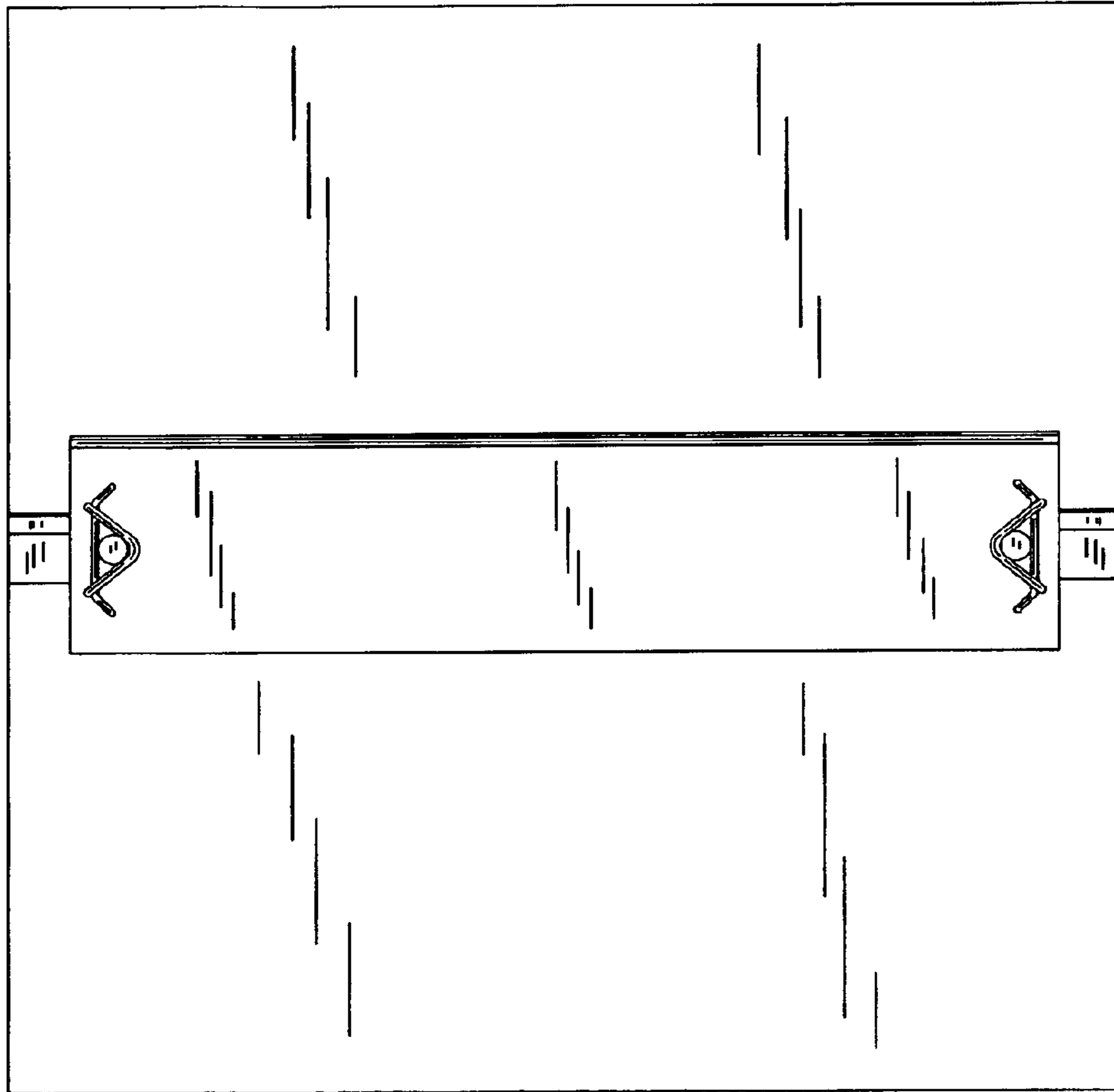


FIG. 5

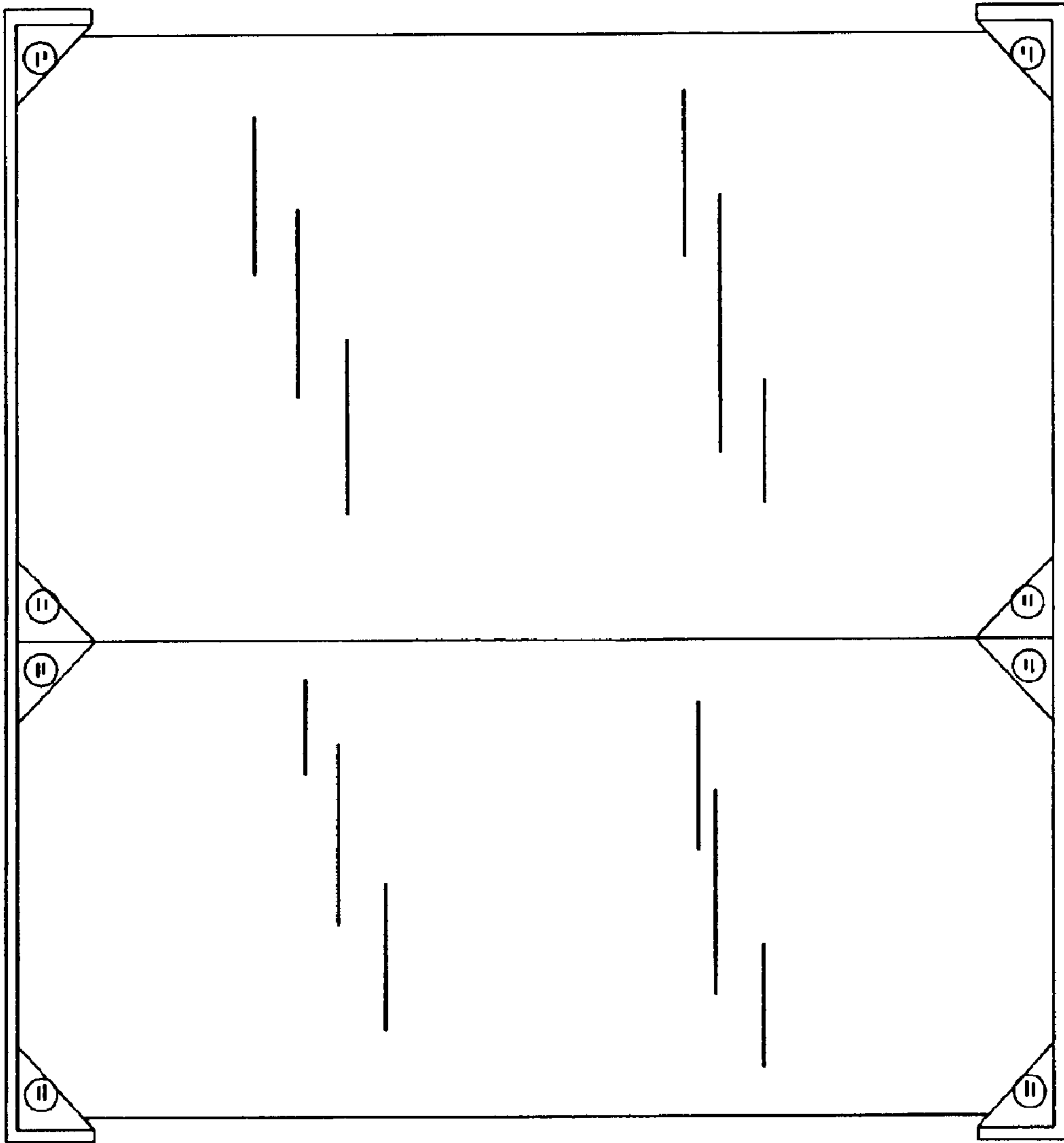


FIG. 6