



US00D512244S

(12) **United States Design Patent**
Prillaman et al.

(10) **Patent No.:** **US D512,244 S**
(45) **Date of Patent:** **** Dec. 6, 2005**

(54) **SLEIGH BED**

(75) **Inventors:** **Glenn Prillaman**, Greensboro, NC
(US); **Rick Shroeder**, Jamestown, NC
(US); **Mike Warren**, Grand Rapids, MI
(US)

(73) **Assignee:** **Stanley Furniture Company**,
Stanleytown, VA (US)

(**) **Term:** **14 Years**

(21) **Appl. No.:** **29/213,068**

(22) **Filed:** **Sep. 13, 2004**

(51) **LOC (8) Cl.** **06-01**

(52) **U.S. Cl.** **D6/393**

(58) **Field of Search** D6/382, 385, 388-395,
D6/505-508; 5/53.1, 907, 279.1, 280, 281,
2.1, 308

(56) **References Cited**

U.S. PATENT DOCUMENTS

D373,486 S	*	9/1996	Keller et al.	D6/393
D392,811 S	*	3/1998	Bergelin	D6/393
D481,220 S	*	10/2003	Paus	D6/393
D503,295 S	*	3/2005	O'Hare	D6/393

OTHER PUBLICATIONS

Thomasville, Martinique, c2001, sleigh bed.*

* cited by examiner

Primary Examiner—Janice E. Seeger

(74) *Attorney, Agent, or Firm*—McGuireWoods LLP

(57) **CLAIM**

The ornamental design for a sleigh bed, as shown and described.

DESCRIPTION

FIG. 1 is a top, right, front perspective view of a sleigh bed showing our new, original and ornamental design.

FIG. 2 is a front view of the sleigh bed shown in FIG. 1.

FIG. 3 is a side view of the sleigh bed shown in FIG. 1.

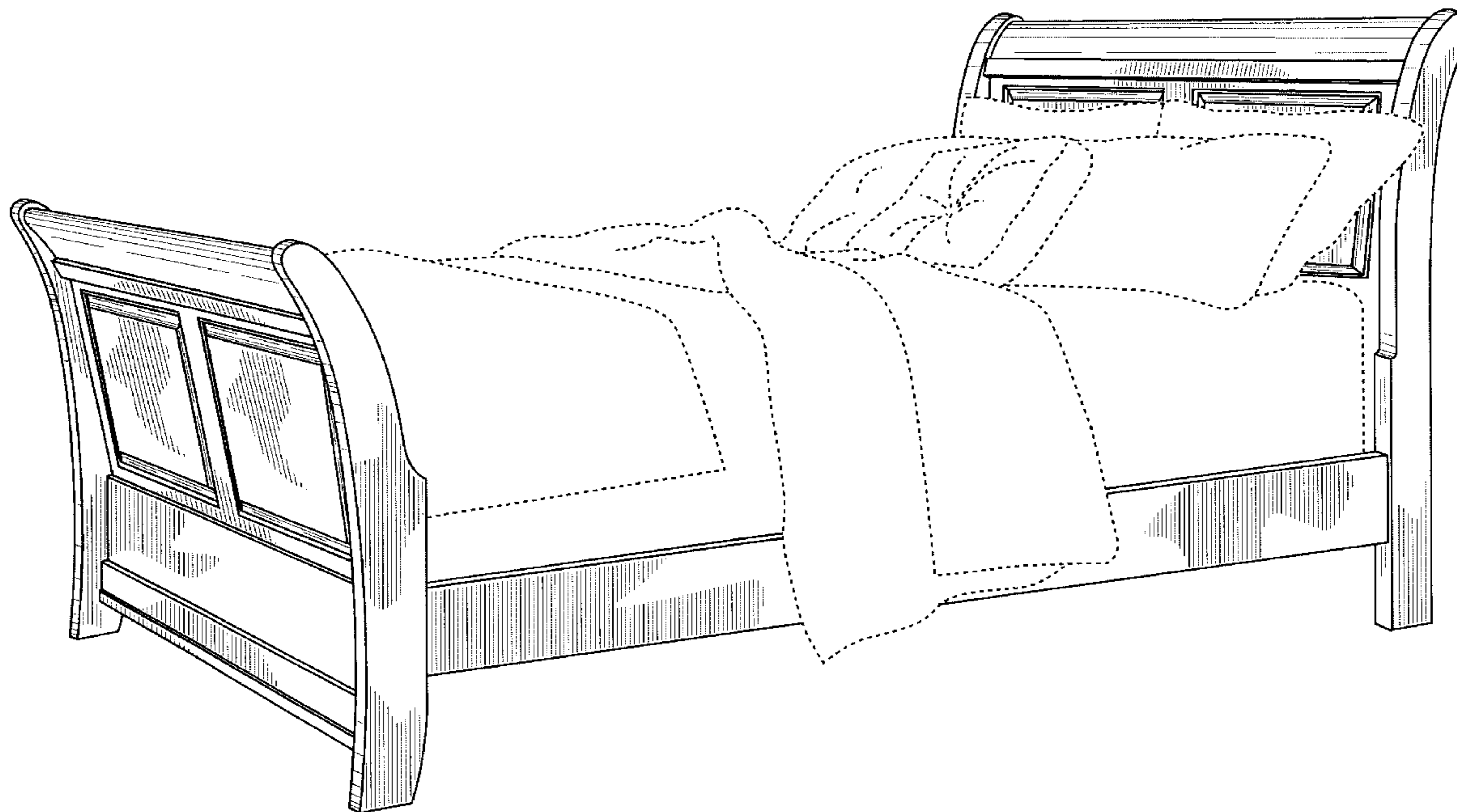
FIG. 4 is a top view of the sleigh bed shown in FIG. 1.

FIG. 5 is a cross-sectional view of the sleigh bed shown in FIG. 1 from the foot board to the head board showing the sleigh bed's width can vary; and,

FIG. 6 is a cross-sectional view of the sleigh bed shown in FIG. 1 from the side showing the sleigh bed's length can vary.

The broken lines are for environmental purposes only and form no part of the claimed design.

1 Claim, 6 Drawing Sheets



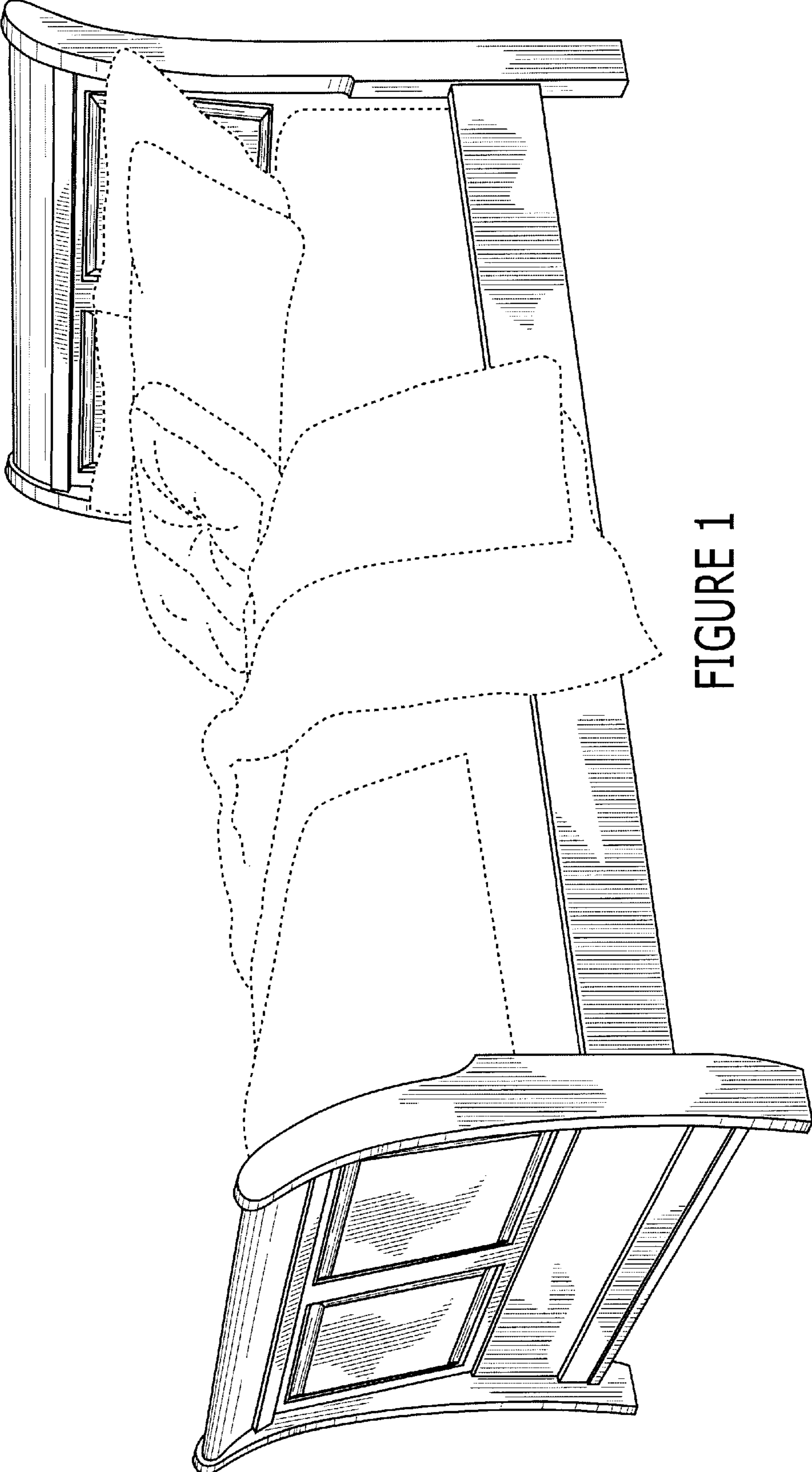


FIGURE 1

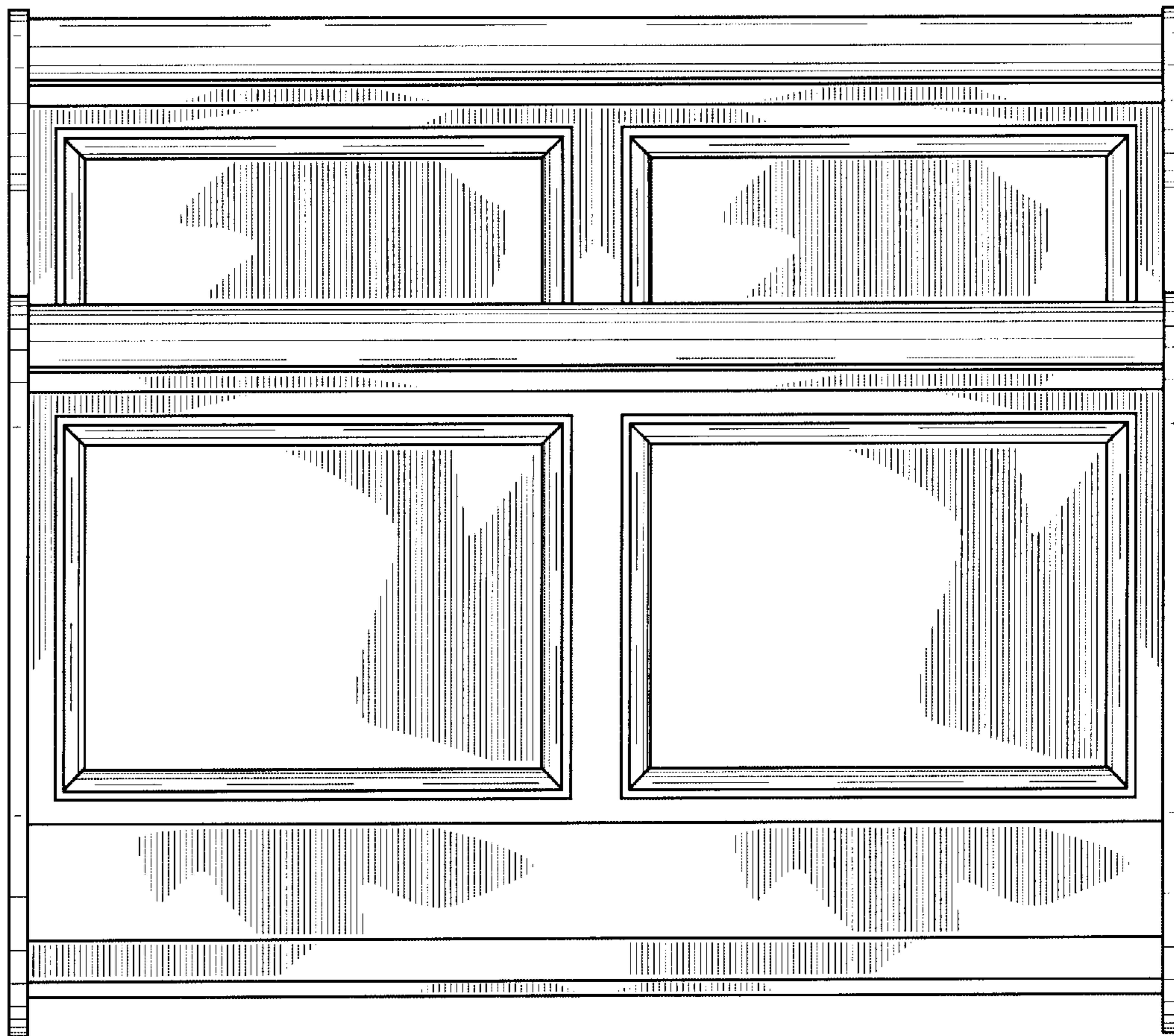


FIGURE 2

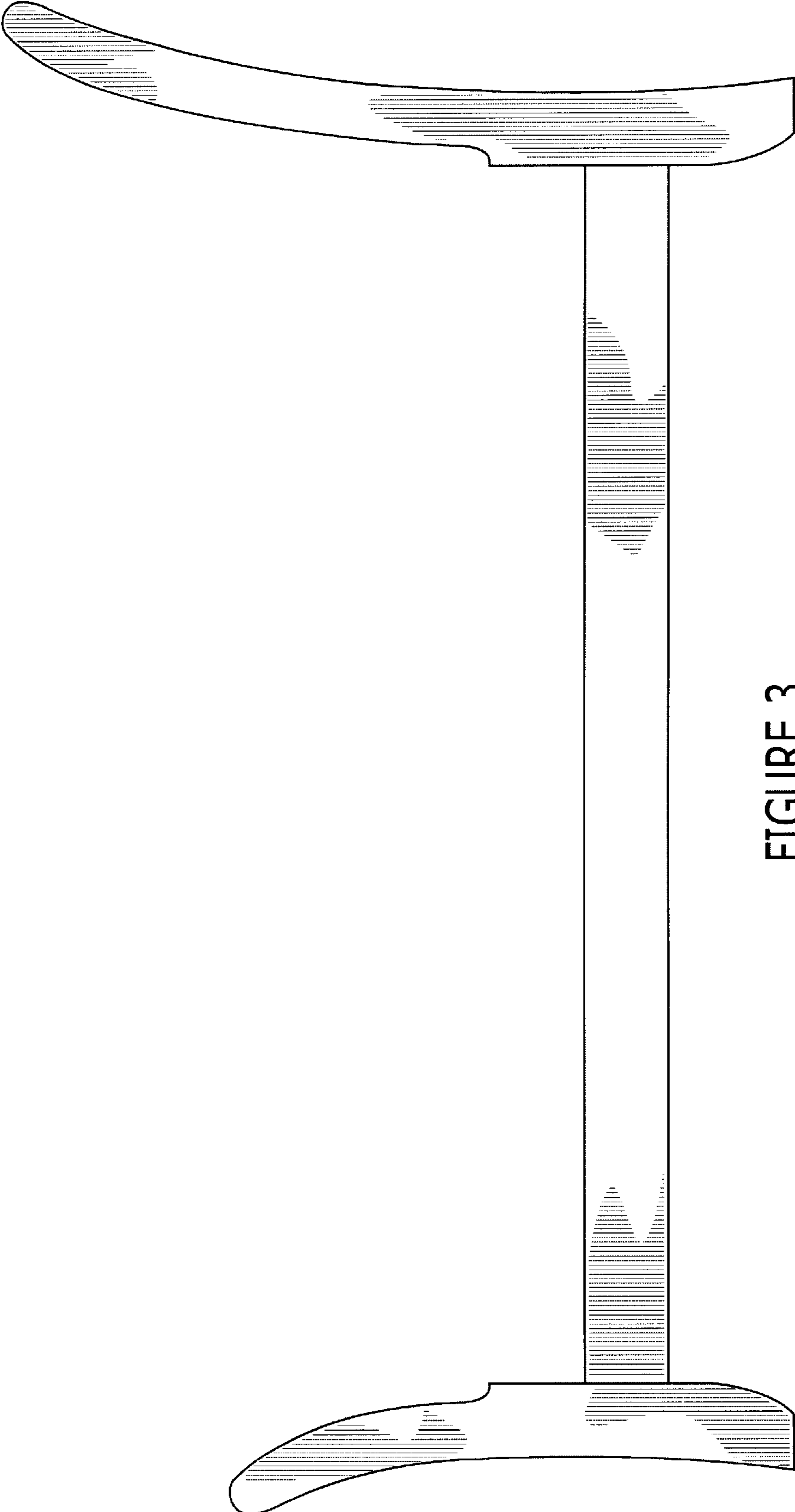


FIGURE 3

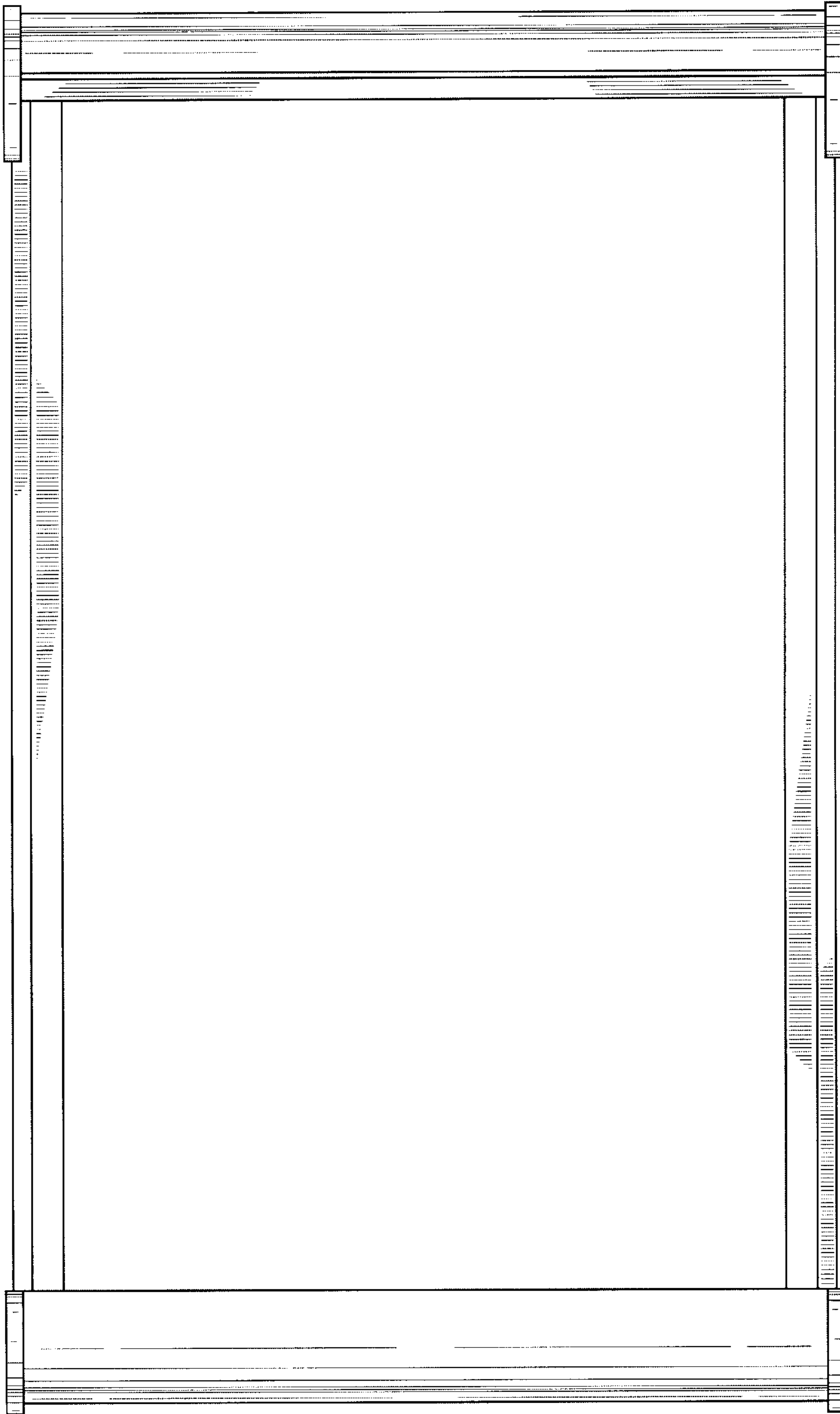


FIGURE 4

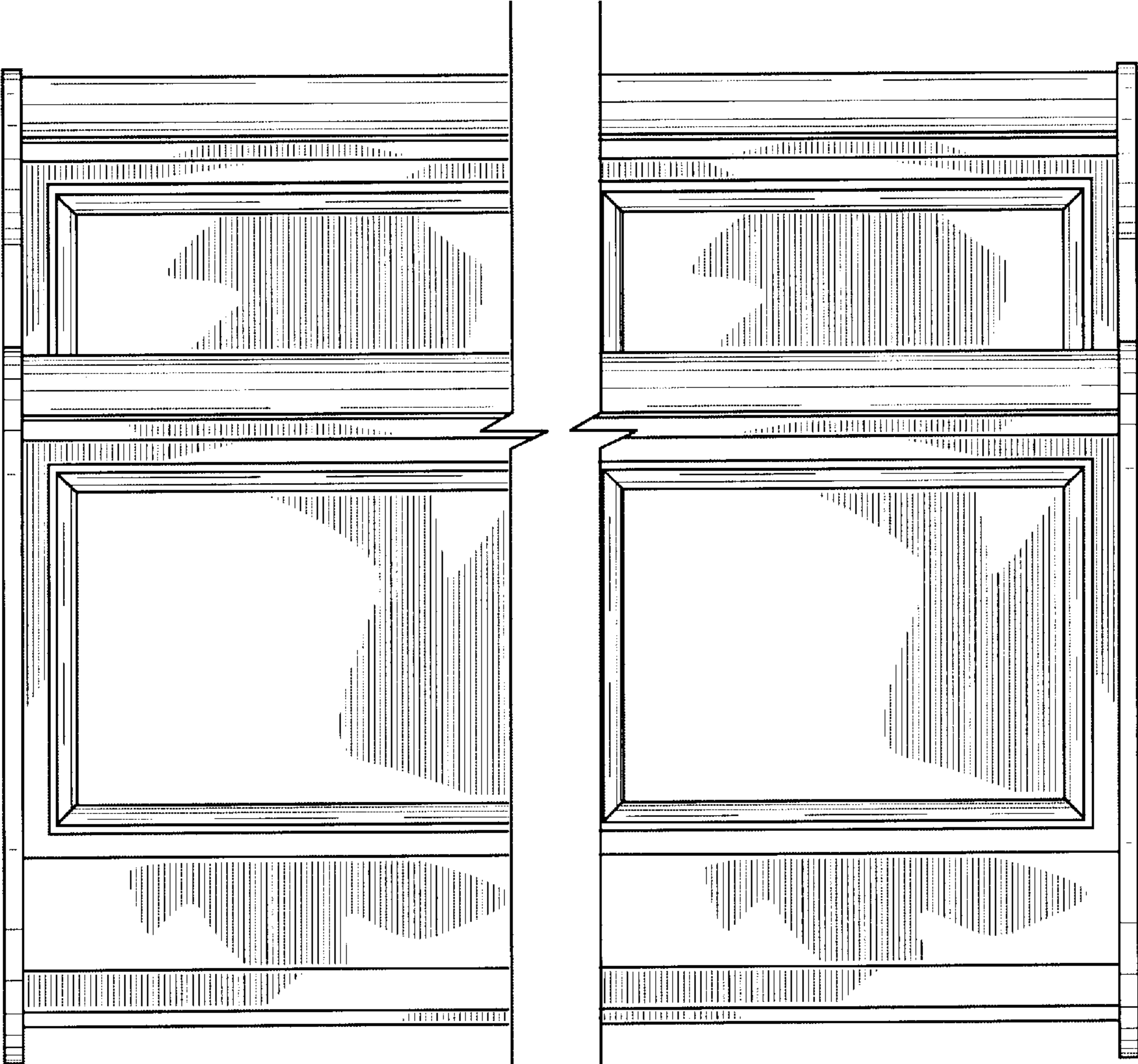


FIGURE 5

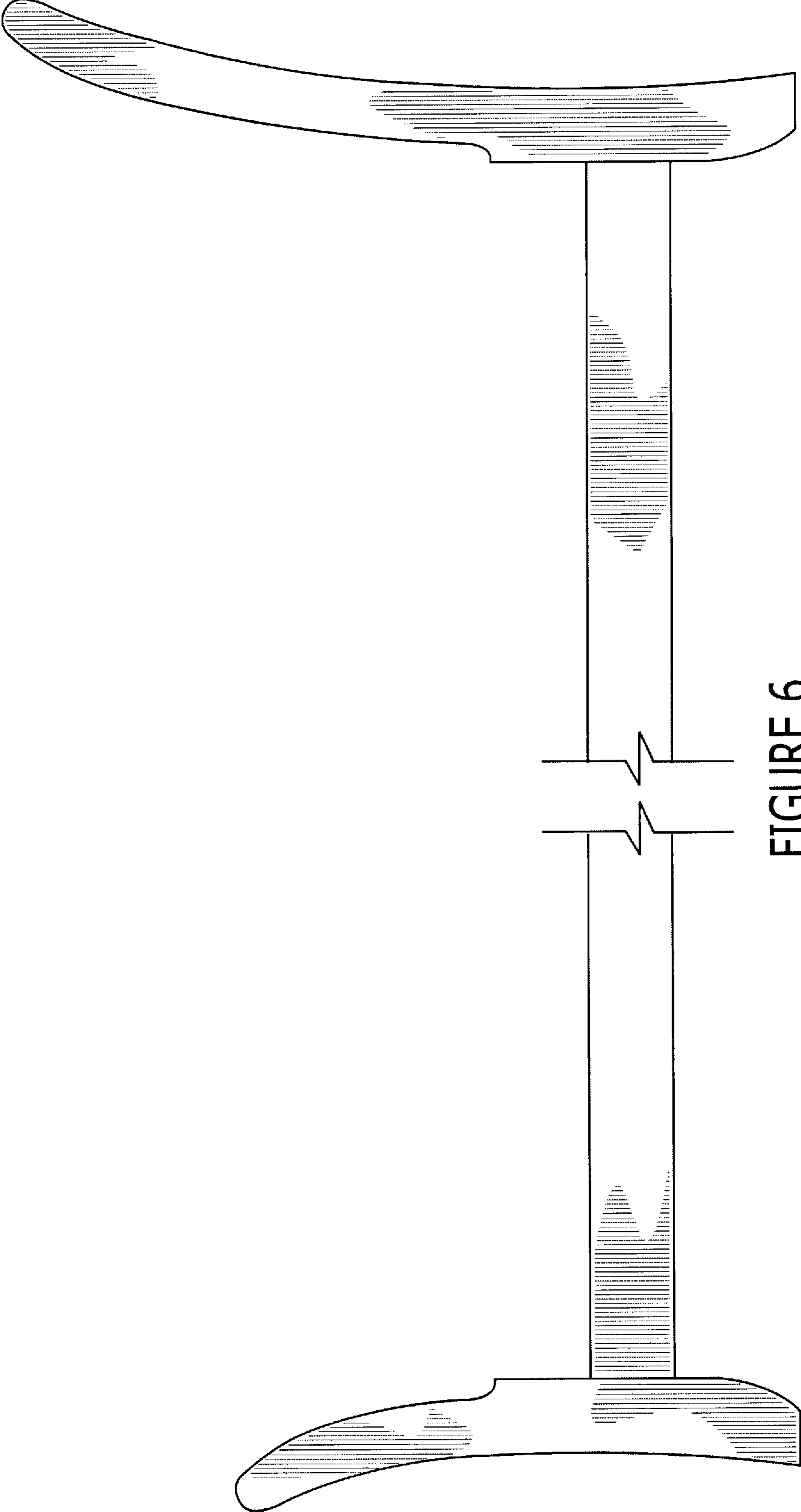


FIGURE 6