



US00D512241S

(12) **United States Design Patent** (10) **Patent No.:** **US D512,241 S**
Ricci (45) **Date of Patent:** **** Dec. 6, 2005**

(54) **SOFA**
 (75) **Inventor:** **Luca Ricci, Forli (IT)**
 (73) **Assignee:** **De Coro Ltd., Fanling (HK)**
 (**) **Term:** **14 Years**

D478,224 S 8/2003 Natuzzi et al.
 D487,993 S * 4/2004 Natuzzi D6/381
 D493,628 S * 8/2004 Ricci D6/381
 D495,517 S * 9/2004 Ricci D6/381
 D502,018 S * 2/2005 Ricci D6/381

(21) **Appl. No.:** **29/204,769**
 (22) **Filed:** **May 3, 2004**
 (51) **LOC (8) Cl.** **06-01**
 (52) **U.S. Cl.** **D6/381**
 (58) **Field of Search** D6/334, 335, 364,
 D6/371, 381, 500-502; 5/12.1; 297/232,
 445.1, 446.1

OTHER PUBLICATIONS

Natuzzi Model 1862, International Home Furnishings Market, High Point, NC, Sep. 1999.*
 De Coro Ltd. Sofa Model No. 125, Apr. 1998, at the International Home Furnishings Market in High Point, N.C.
 De Coro Ltd. Sofa Model No. 130, Apr. 1998, at the International Home Furnishings Market in High Point, N.C.
 De Coro Ltd. Sofa Model No. 147, Apr. 1998, at the International Home Furnishings Market in High Point, N.C.
 De Coro Ltd. Sofa Model No. 160, Apr. 1998, at the International Home Furnishings Market in High Point, N.C.
 De Coro Ltd. Sofa Model No. 167, Apr. 1998, at the International Home Furnishings Market in High Point, N.C.
 De Coro Ltd. Sofa Model No. 174, Apr. 1998, at the International Home Furnishings Market in High Point, N.C.
 De Coro Ltd. Sofa Model No. 207, Apr. 1999, at the International Home Furnishings Market in High Point, N.C.

(56) **References Cited**

U.S. PATENT DOCUMENTS

D364,975 S 12/1995 Natuzzi et al.
 D365,456 S * 12/1995 Natuzzi et al. D6/381
 D373,911 S * 9/1996 Paus D6/381
 D393,758 S 4/1998 Natuzzi et al.
 D400,368 S 11/1998 Natuzzi et al.
 D407,572 S 4/1999 Natuzzi et al.
 D407,573 S 4/1999 Natuzzi et al.
 D421,193 S 2/2000 Natuzzi et al.
 D429,080 S 8/2000 Natuzzi et al.
 D431,124 S 9/2000 Natuzzi et al.
 D431,928 S 10/2000 Natuzzi et al.
 D432,336 S * 10/2000 Gibson D6/500
 D434,245 S 11/2000 Natuzzi et al.
 D439,759 S 4/2001 Natuzzi et al.
 D445,587 S 7/2001 Natuzzi et al.
 D446,041 S * 8/2001 Natuzzi et al. D6/381
 D448,945 S 10/2001 Natuzzi et al.
 D470,323 S 2/2003 Ricci
 D470,325 S * 2/2003 Ricci D6/381
 D470,328 S 2/2003 Ricci
 D473,394 S 4/2003 Natuzzi et al.
 D474,907 S 5/2003 Ricci
 D475,861 S 6/2003 Ricci
 D476,164 S 6/2003 Ricci
 D476,166 S 6/2003 Ricci
 D476,497 S 7/2003 Ricci
 D476,500 S 7/2003 Ricci

(Continued)

Primary Examiner—Caron D. Veynar
Assistant Examiner—Vy Nguyen
 (74) *Attorney, Agent, or Firm*—Mitchell P. Brook; Luce, Forward, Hamilton & Scripps LLP

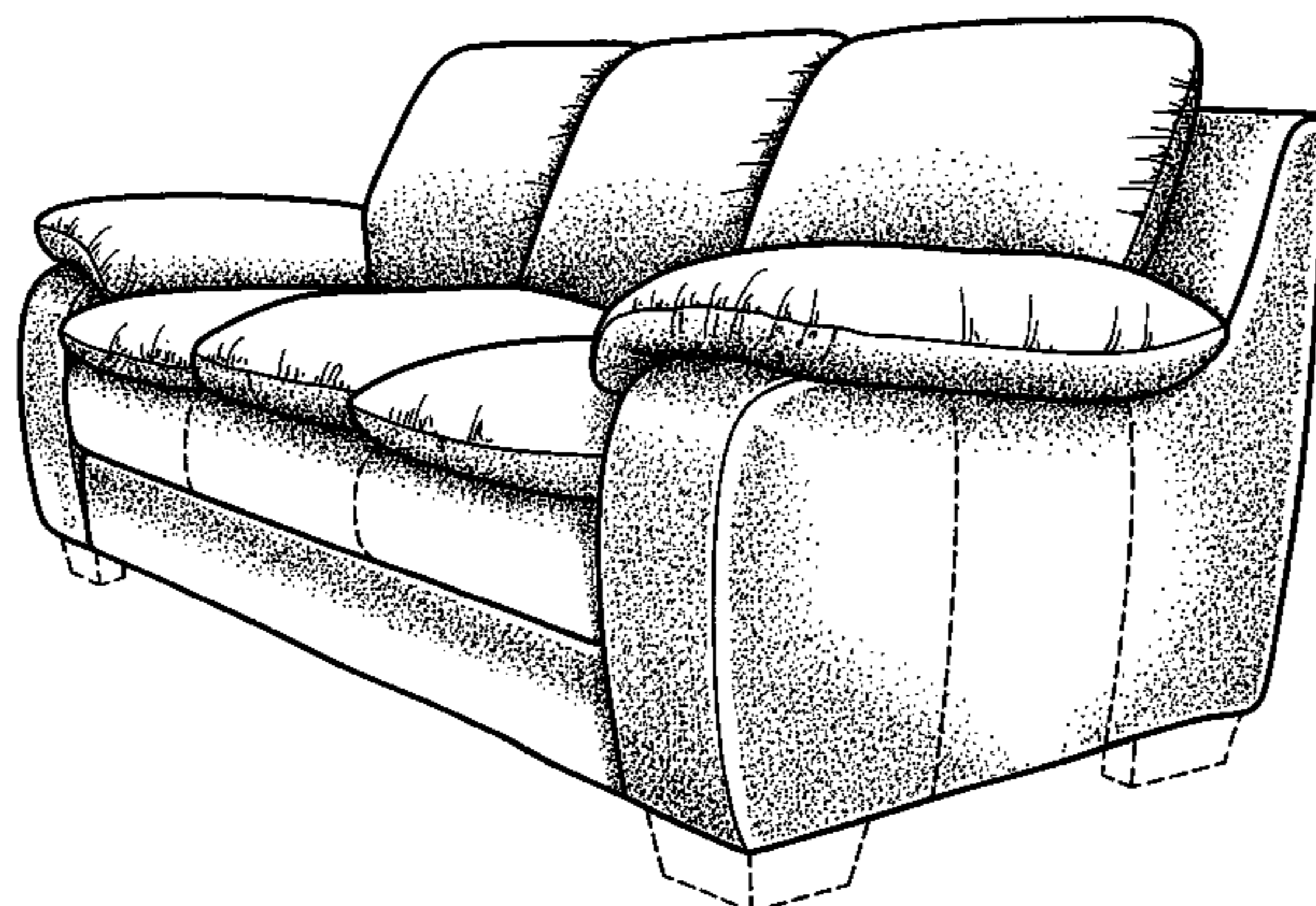
(57) **CLAIM**

The ornamental design for a sofa, as shown and described.

DESCRIPTION

FIG. 1 is a perspective view of my new sofa design;
 FIG. 2 is a front elevation view thereof;
 FIG. 3 is a left, side elevation view, with the right side elevational view being a mirror image thereof; and,
 FIG. 4 is a rear elevation view thereof.
 The broken line disclosure is for illustrative purposes only and forms no part of the claimed design.

1 Claim, 3 Drawing Sheets



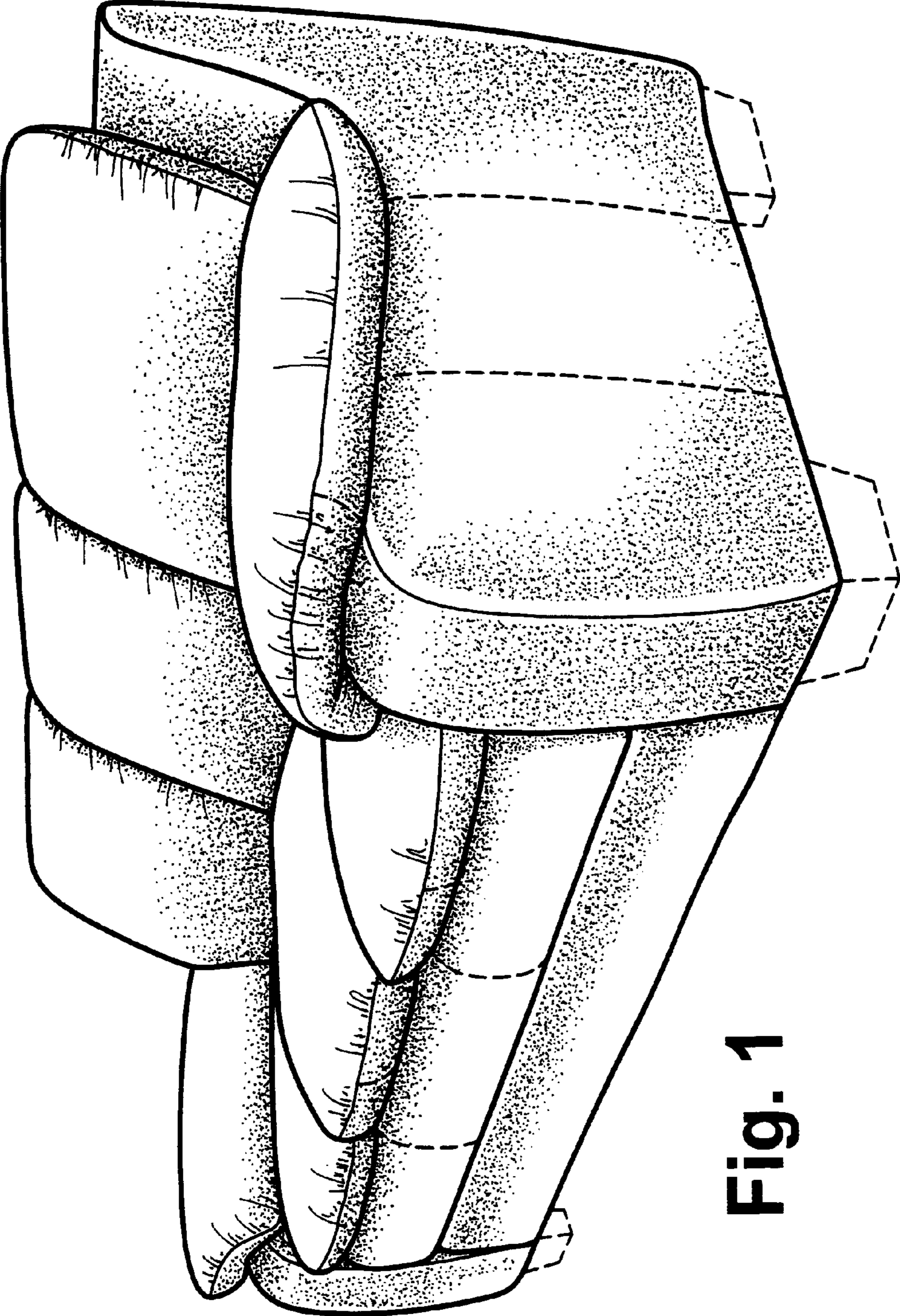


Fig. 1

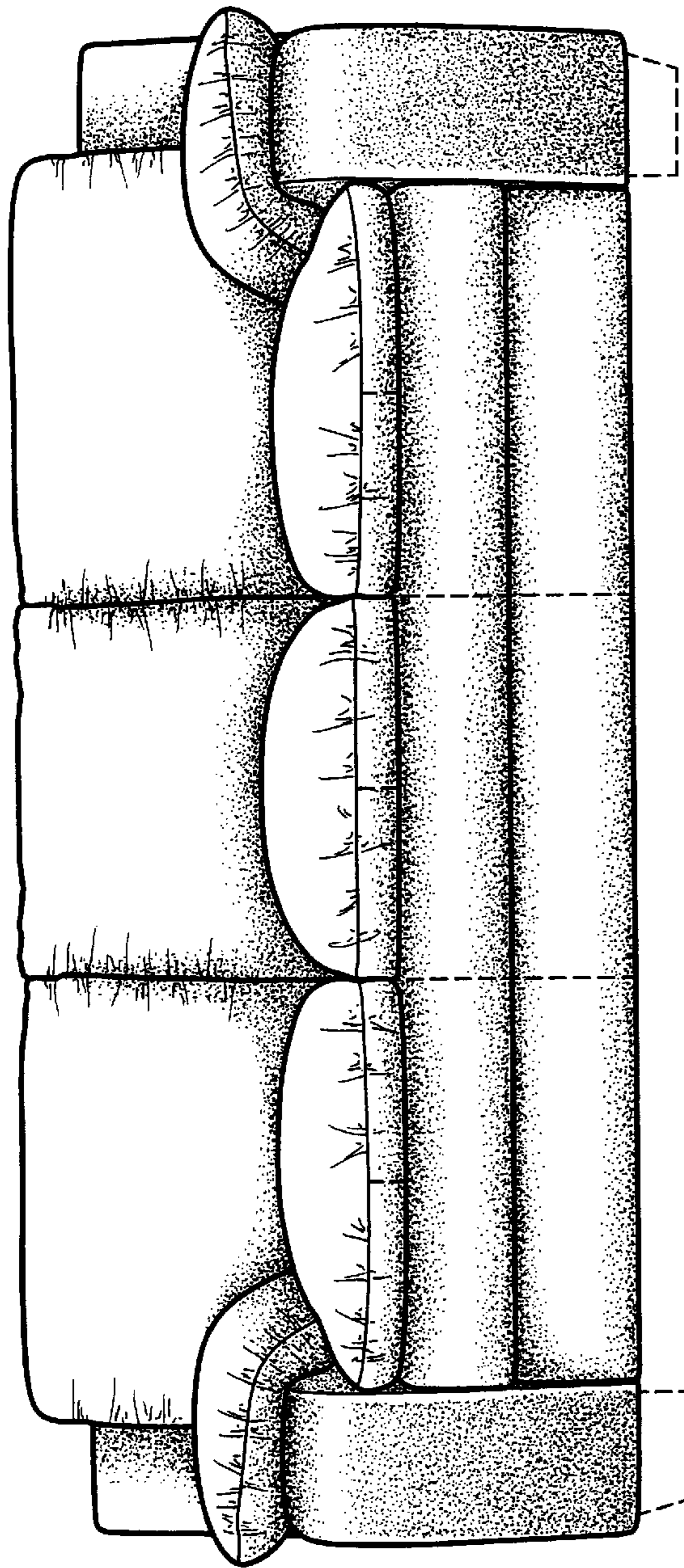


Fig. 2

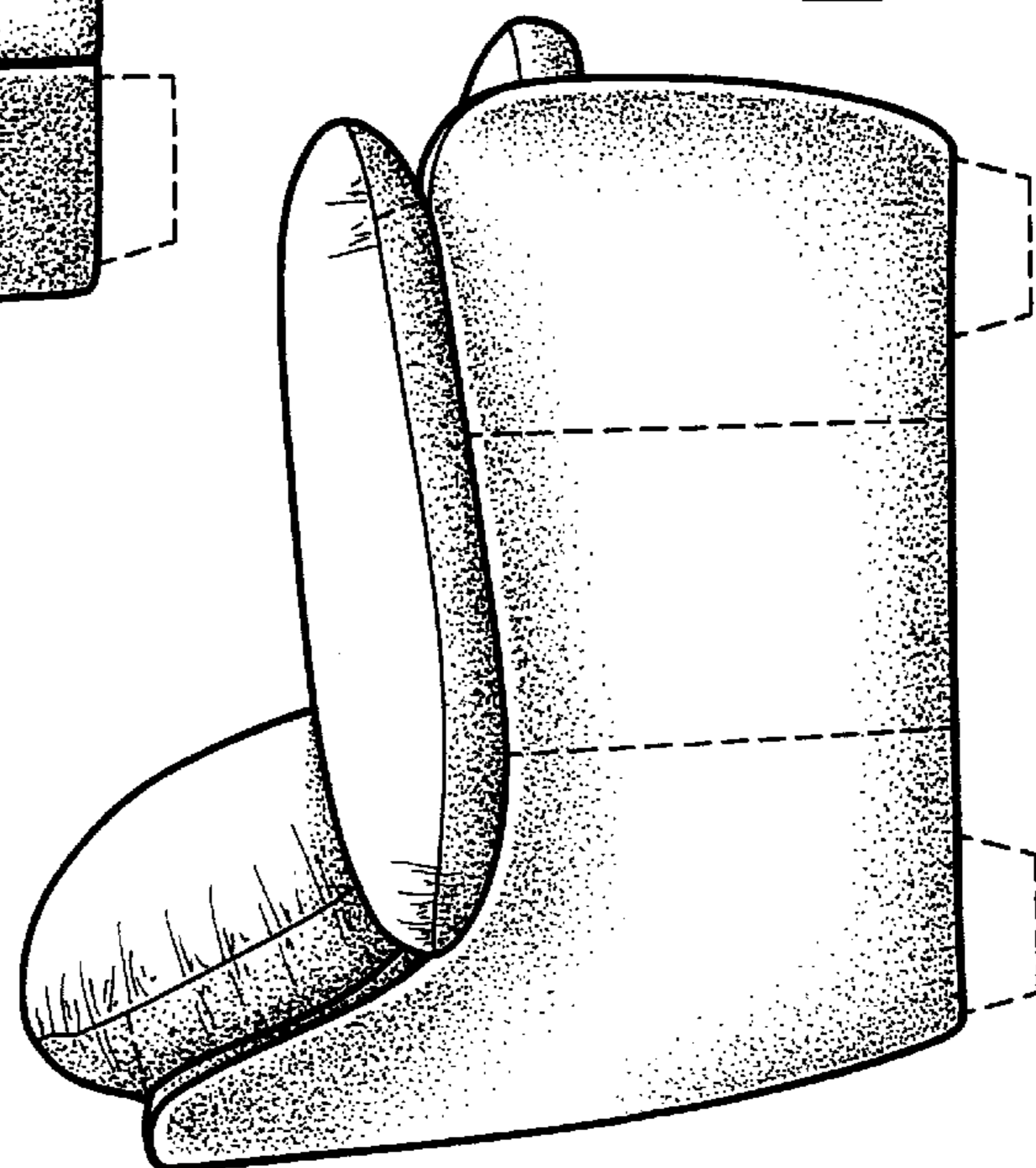


Fig. 3

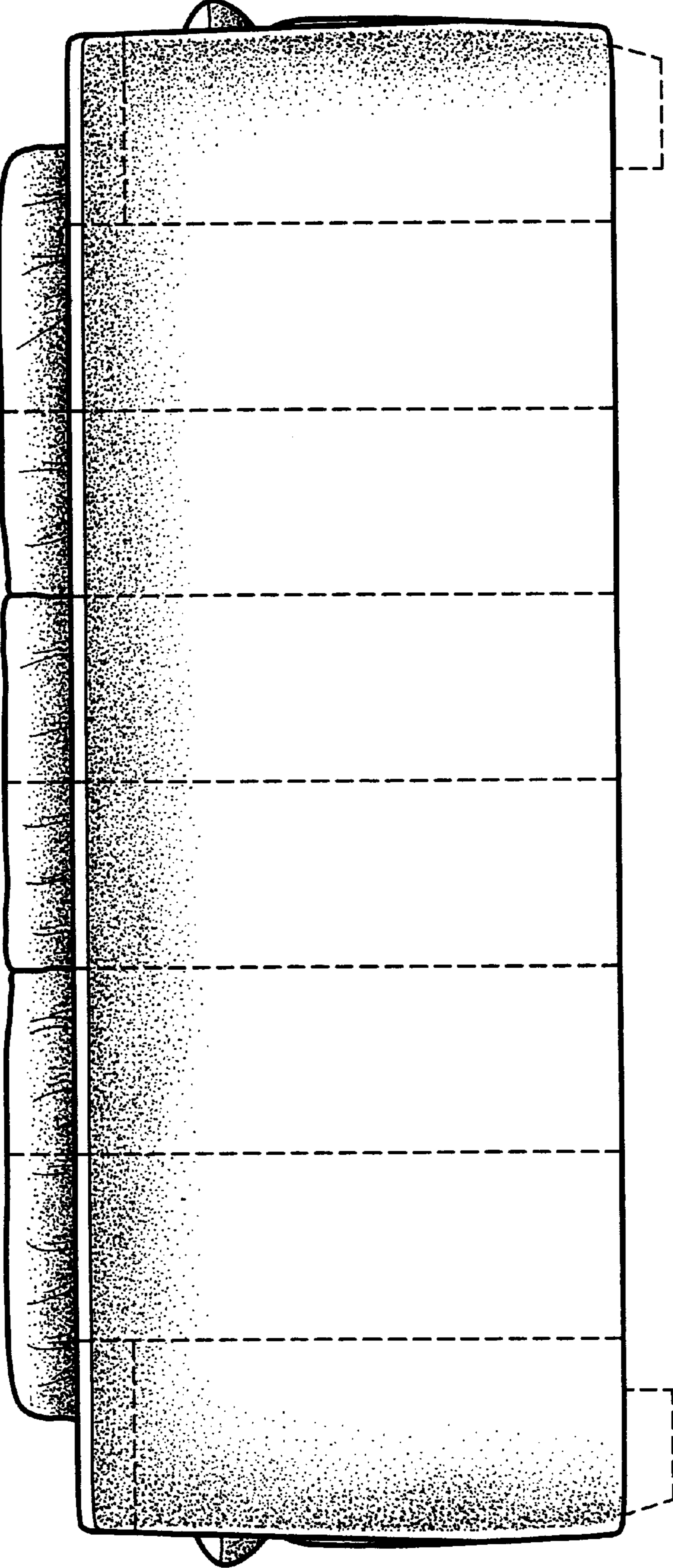


Fig. 4