



US00D512237S

(12) **United States Design Patent**  
**Messier**

(10) **Patent No.:** **US D512,237 S**  
(45) **Date of Patent:** **\*\* Dec. 6, 2005**

- (54) **CHAIR**
- (75) Inventor: **Patrick Messier**, Montreal (CA)
- (73) Assignee: **Messier Designers Inc.**, Montreal (CA)
- (\*\*) Term: **14 Years**
- (21) Appl. No.: **29/214,936**
- (22) Filed: **Oct. 13, 2004**

- D346,283 S \* 4/1994 Kolberg ..... D6/374
- D357,594 S \* 4/1995 Kellen ..... D6/374
- D368,379 S 4/1996 Muller
- D374,130 S 10/1996 Braun
- D390,026 S \* 2/1998 Biecher ..... D6/375
- D406,196 S \* 3/1999 Lyons ..... D6/375
- D463,149 S 9/2002 Levy
- D465,100 S \* 11/2002 Savini ..... D6/375
- D468,918 S 1/2003 de Blois
- D475,543 S \* 6/2003 Savini ..... D6/374
- D498,937 S \* 11/2004 Messier et al. .... D6/375

**Related U.S. Application Data**

- (62) Division of application No. 29/192,393, filed on Oct. 24, 2003, now Pat. No. Des. 498,937.

(30) **Foreign Application Priority Data**

Apr. 29, 2003 (CA) ..... 102873

- (51) **LOC (8) Cl.** ..... **06-01**
- (52) **U.S. Cl.** ..... **D6/375**
- (58) **Field of Search** ..... D6/334, 335, 360,  
D6/374, 375, 500, 501, 502; 297/445.1,  
446.1

(56) **References Cited**

**U.S. PATENT DOCUMENTS**

- D133,818 S \* 9/1942 Bargaen ..... D6/375
- D202,426 S 9/1965 Jakobsen
- D230,543 S \* 3/1974 Blecher ..... D6/375

\* cited by examiner

*Primary Examiner*—Mimosa De

(74) *Attorney, Agent, or Firm*—Goudreau Gage Dubuc;  
Michael Sofia

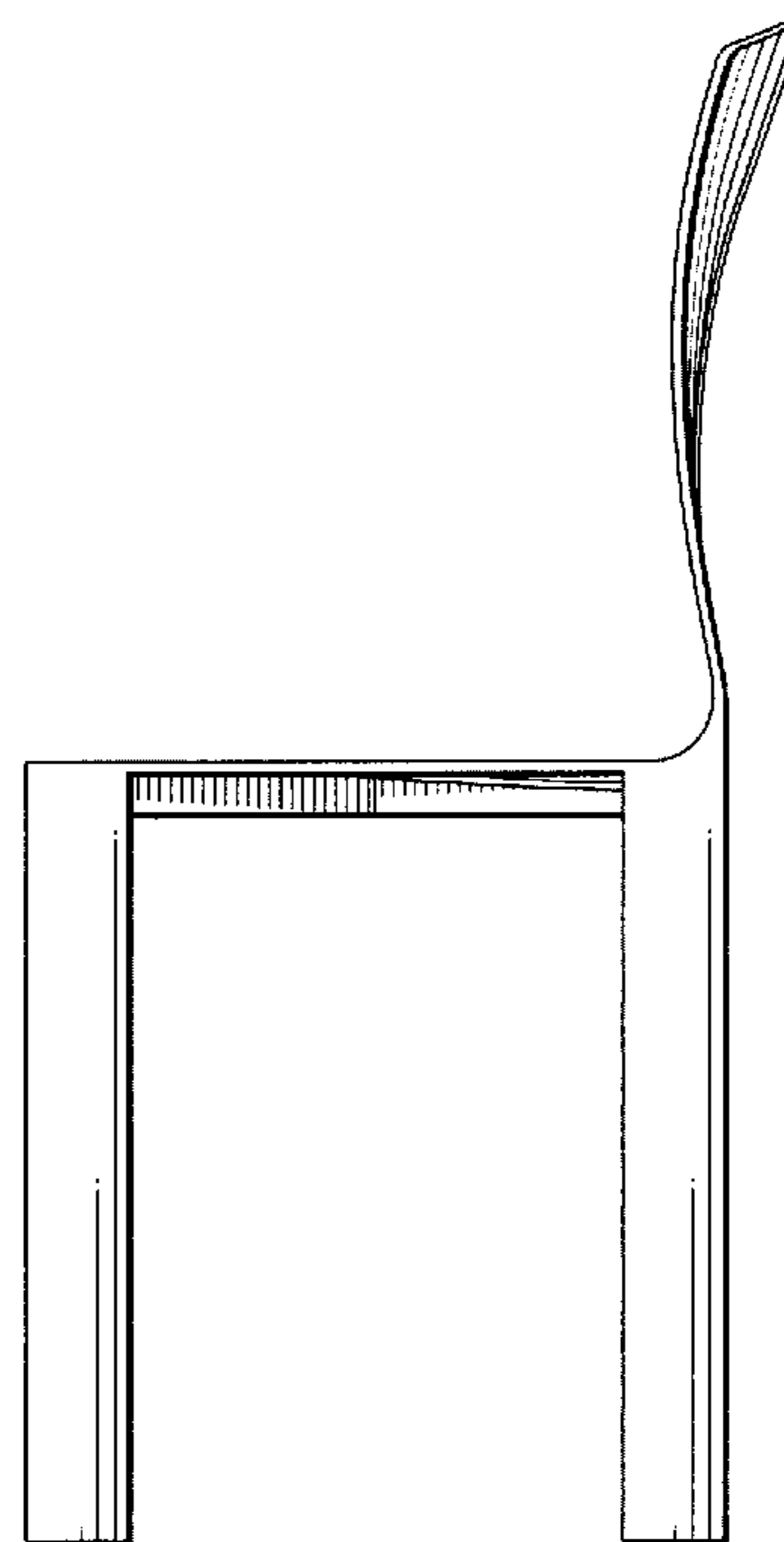
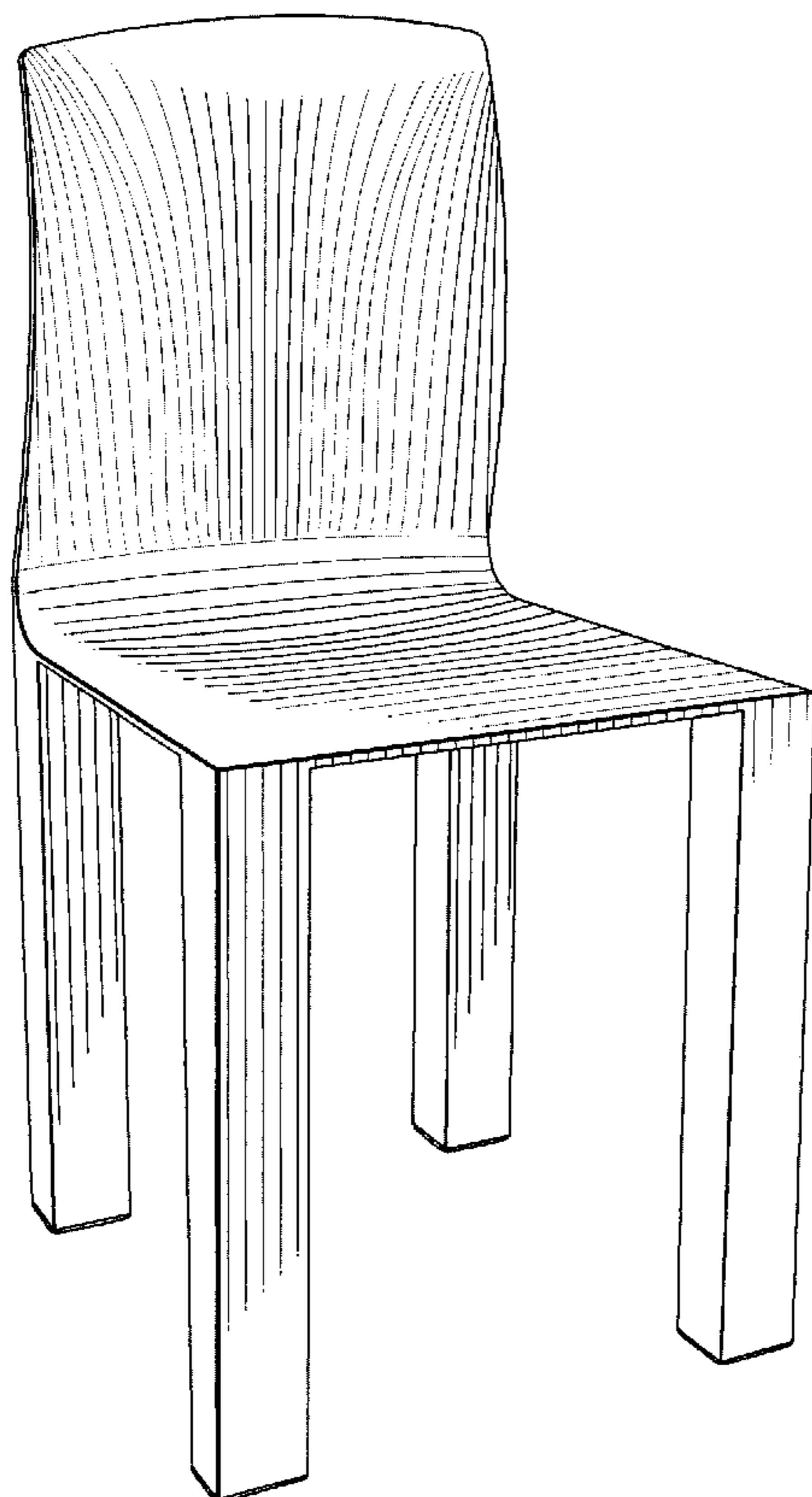
(57) **CLAIM**

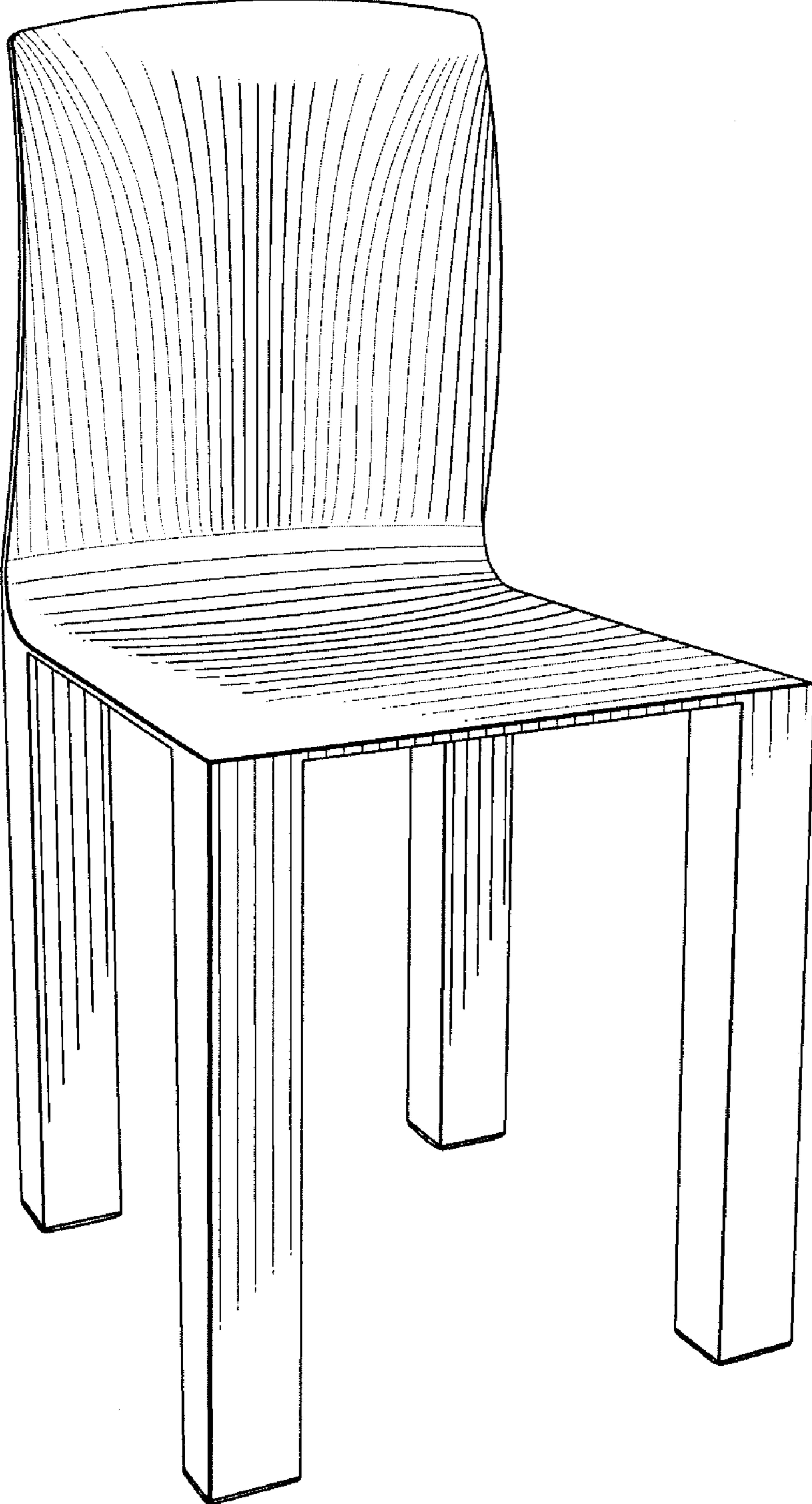
The ornamental design for a “chair”, as shown and described.

**DESCRIPTION**

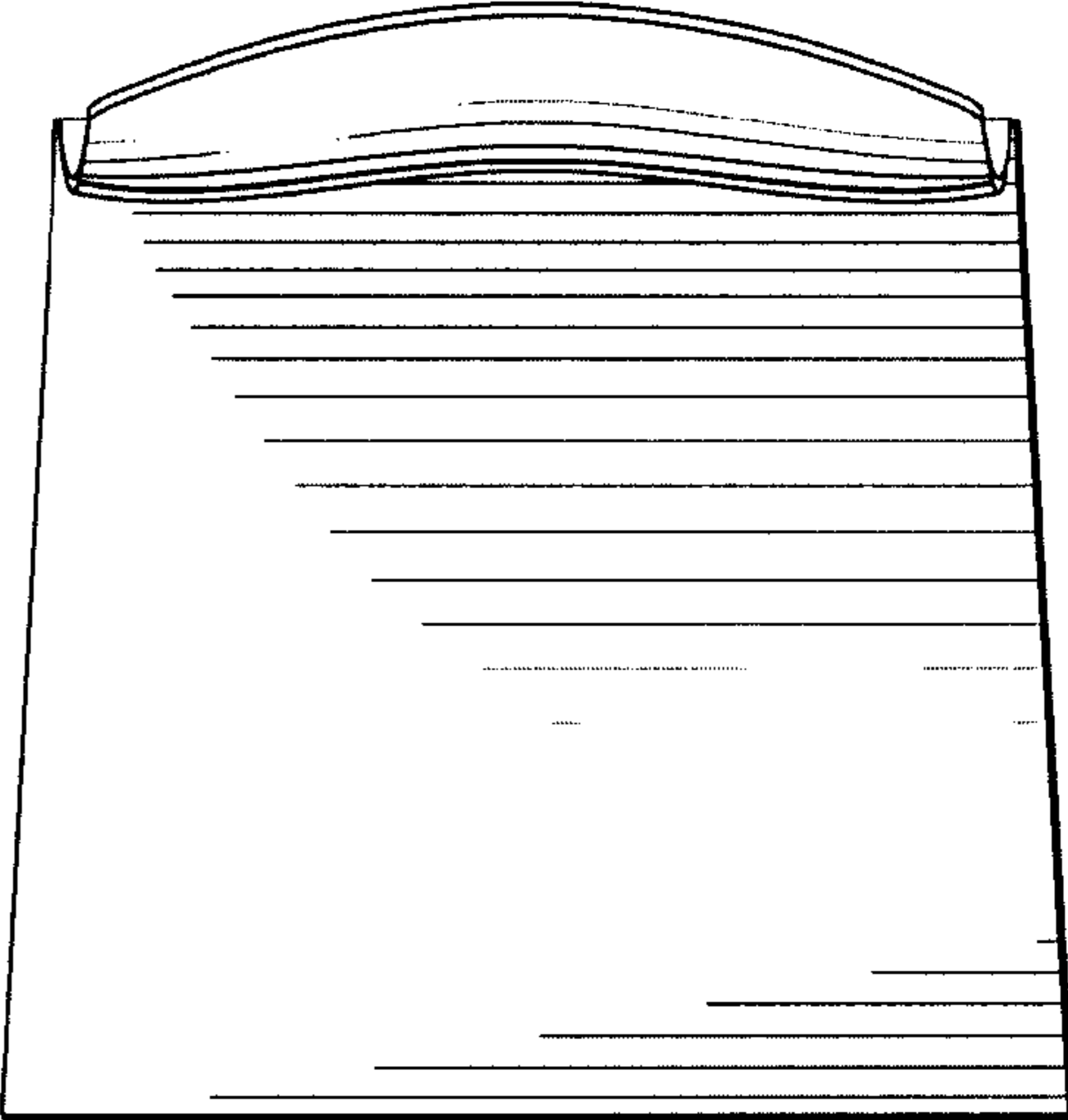
FIG. 1 is a perspective view of the chair showing my new design;  
 FIG. 2 is a top plan view thereof;  
 FIG. 3 is a right side elevational view thereof;  
 FIG. 4 is a front elevational view thereof;  
 FIG. 5 is a left side elevational view thereof; and,  
 FIG. 6 is a rear elevational view thereof.

**1 Claim, 3 Drawing Sheets**

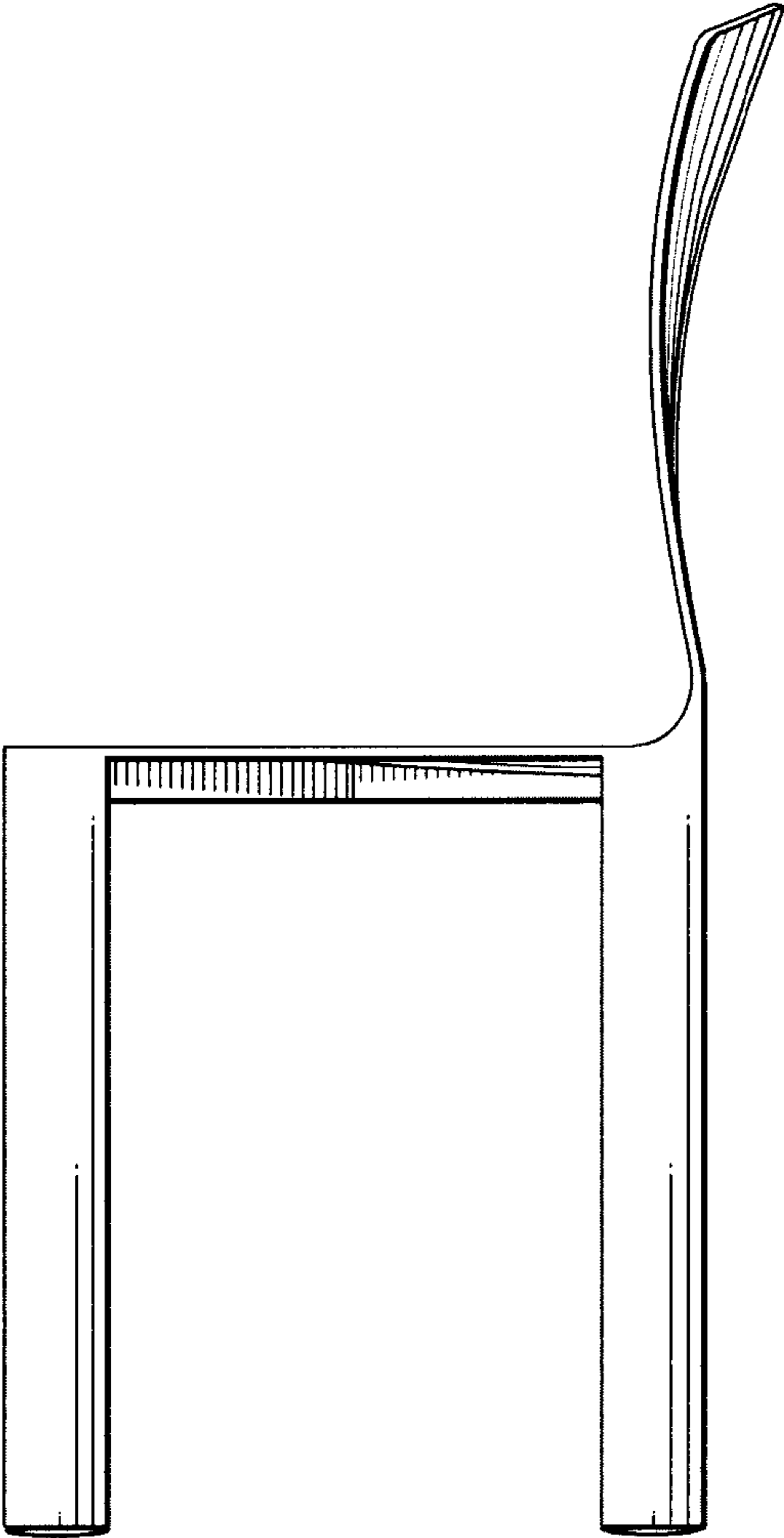




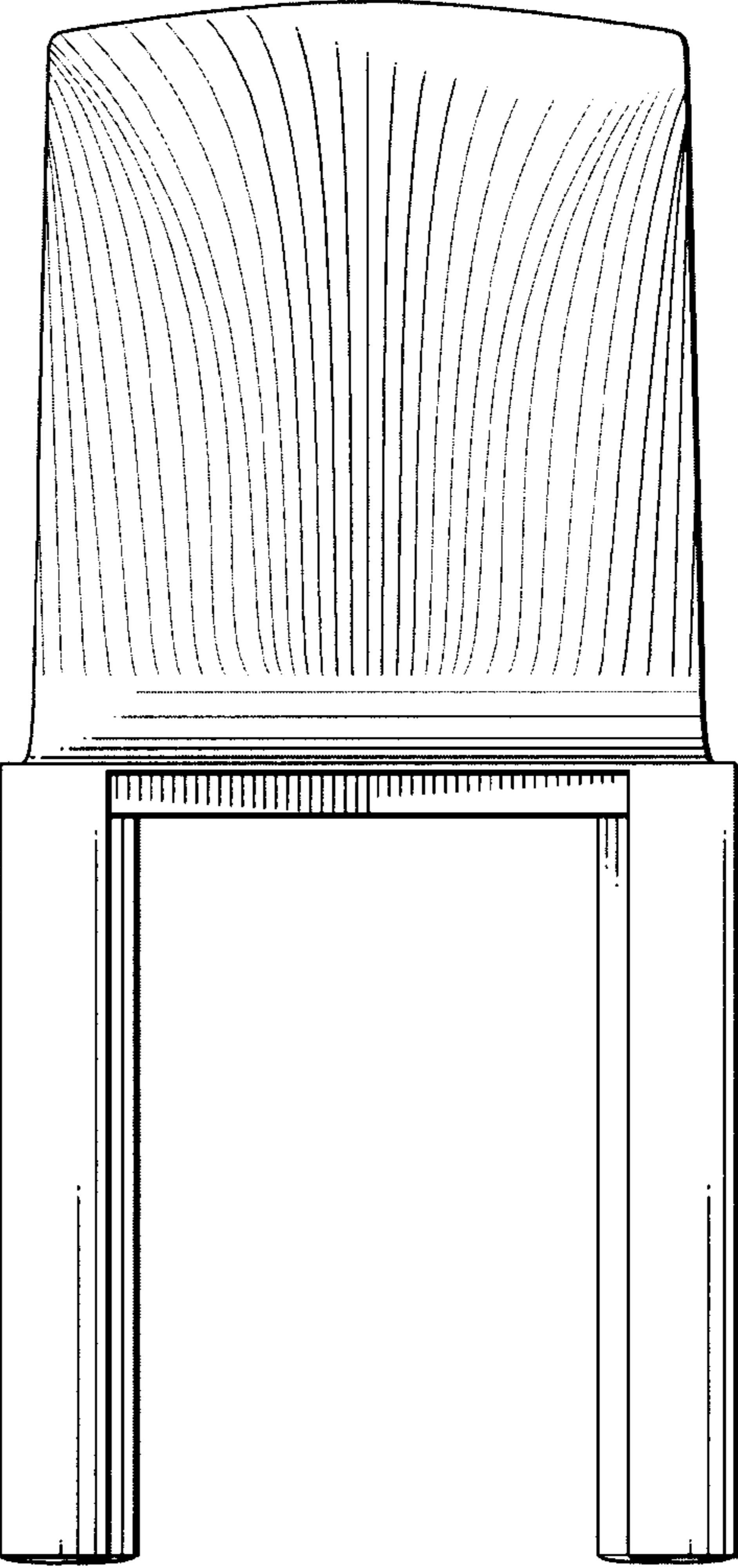
**Fig-1**



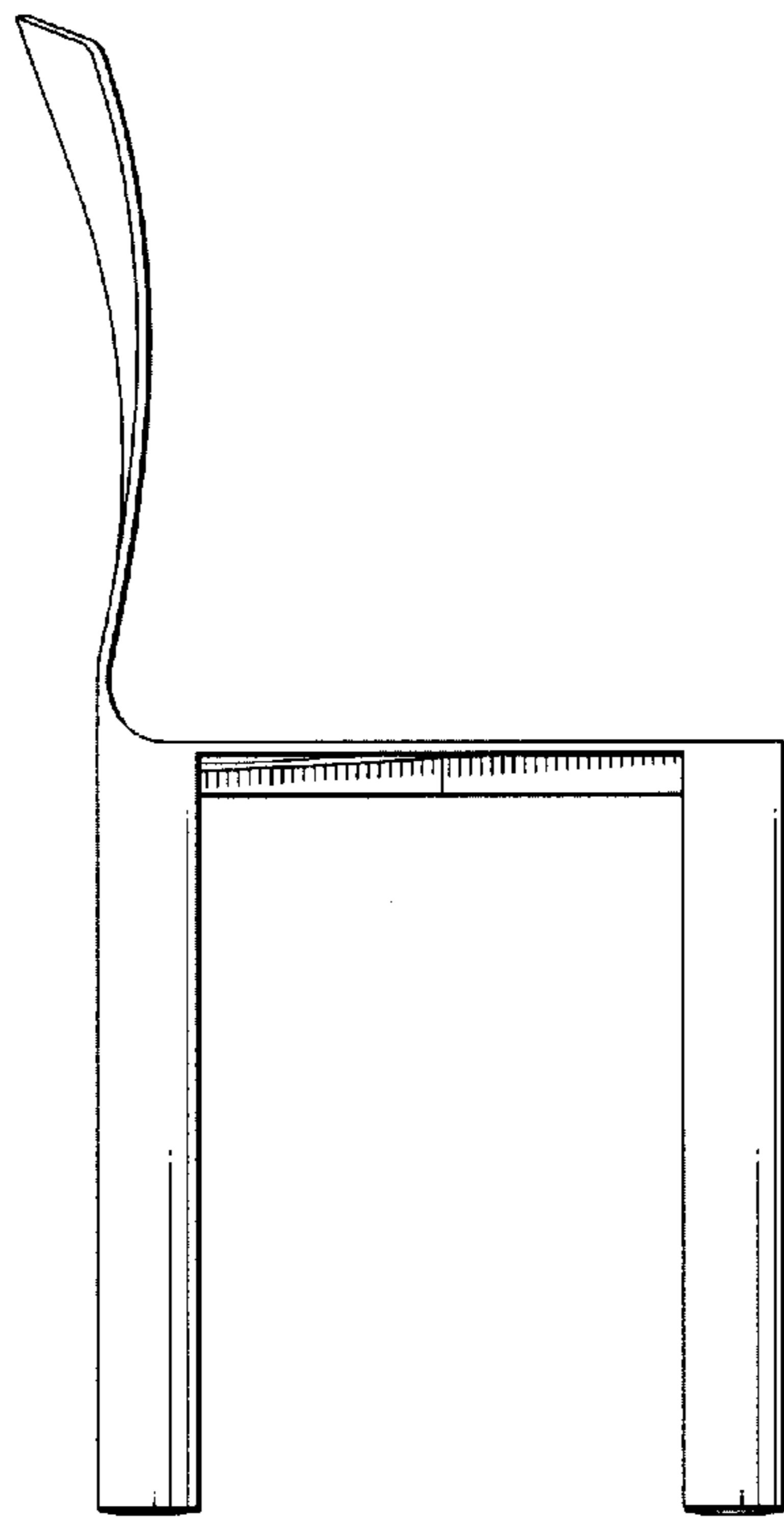
**Fig-2**



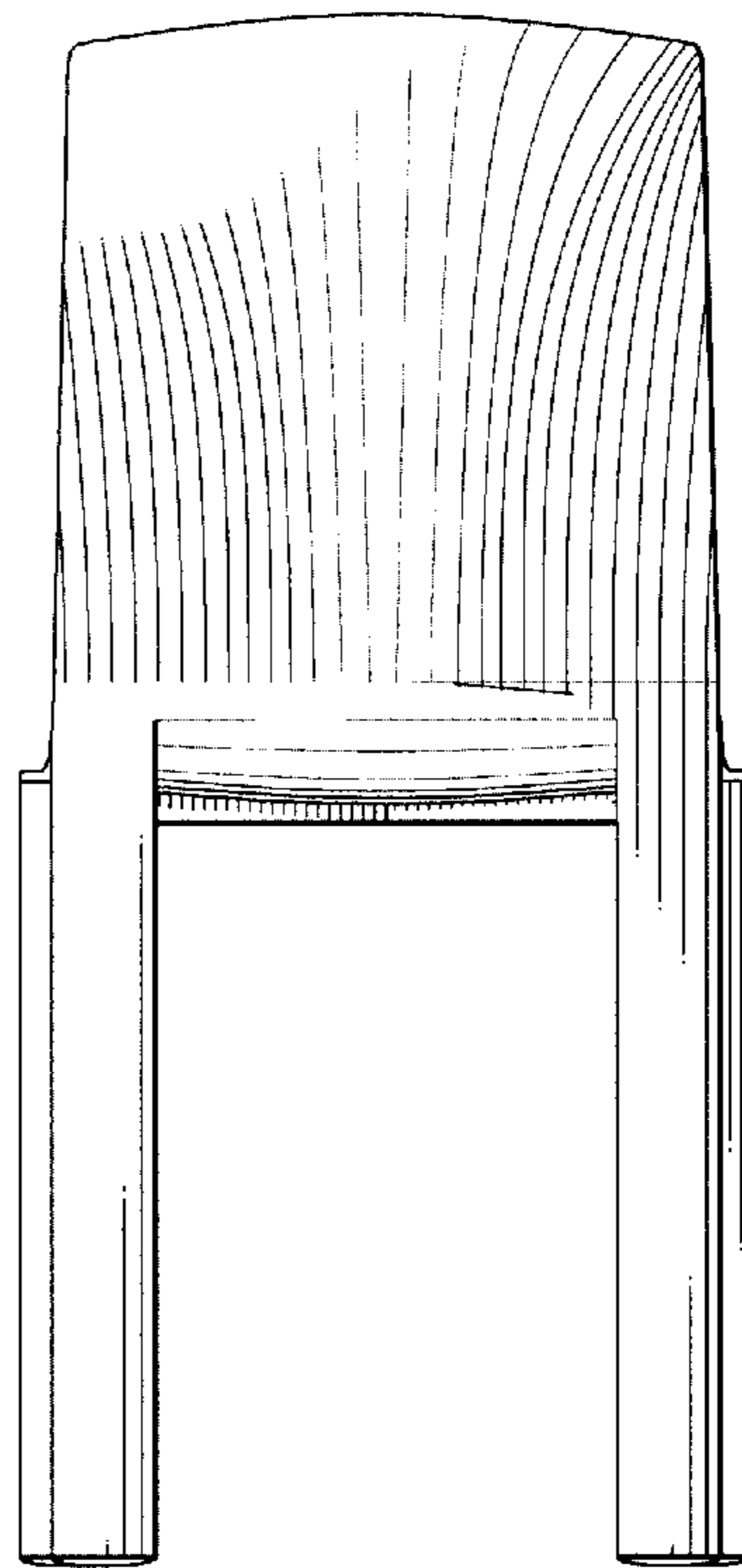
**Fig-3**



**Fig-4**



*Fig-5*



*Fig-6*