



US00D512235S

(12) **United States Design Patent**
Preisig

(10) **Patent No.: US D512,235 S**
(45) **Date of Patent: ** Dec. 6, 2005**

(54) **CHAIR**

(75) Inventor: **Stephan A. Preisig, Zürich (CH)**

(73) Assignee: **Stoll Giroflex AG, Koblenz (CH)**

(**) Term: **14 Years**

(21) Appl. No.: **29/216,881**

(22) Filed: **Nov. 10, 2004**

(30) **Foreign Application Priority Data**

May 12, 2004 (WO) DM/065 721

(51) **LOC (8) Cl. 06-01**

(52) **U.S. Cl. D6/374; D6/379; D6/380**

(58) **Field of Search D6/334, 372, 373,
D6/374, 376, 379, 380, 500-502; 297/16.1,
60, 445.1, 446.1, 446.2, 452.19**

(56) **References Cited**

U.S. PATENT DOCUMENTS

D149,652 S	*	5/1948	Kipp	D6/372
D150,684 S	*	8/1948	Eames	D6/374
D150,759 S	*	8/1948	Dinges	D6/372
D155,274 S	*	9/1949	Eames	D6/374
D238,990 S	*	3/1976	Galvez	D6/374
D338,785 S	*	8/1993	Lange	D6/379
D355,081 S	*	2/1995	Scheper	D6/380
D395,765 S	*	7/1998	Preisig	D6/372
D406,951 S	*	3/1999	Herrmann	D6/379
D464,495 S	*	10/2002	Chu	D6/374
D469,971 S	*	2/2003	Piretti	D6/374

D474,348 S	*	5/2003	Bosman et al.	D6/372
D475,544 S	*	6/2003	Chadwick et al.	D6/380
D476,495 S	*	7/2003	Tsai	D6/380
2003/0209925 A1	*	11/2003	Bosman et al.	297/452.19
2003/0227210 A1	*	12/2003	Bosman et al.	297/446.1
2004/0104613 A1	*	6/2004	Bosman et al.	297/446.2

OTHER PUBLICATIONS

U.S. patent Appl. No. 29/216,882 (D26034) filed on Nov. 10, 2004 in the name of Stephan A. Preisig; and.
U.S. patent Appl. No. 29/216,883 (D26035) filed on Nov. 10, 2004 in the name of Stephan A. Preisig.

* cited by examiner

Primary Examiner—Mimosa De

(74) *Attorney, Agent, or Firm*—Greenblum & Bernstein, P.L.C.

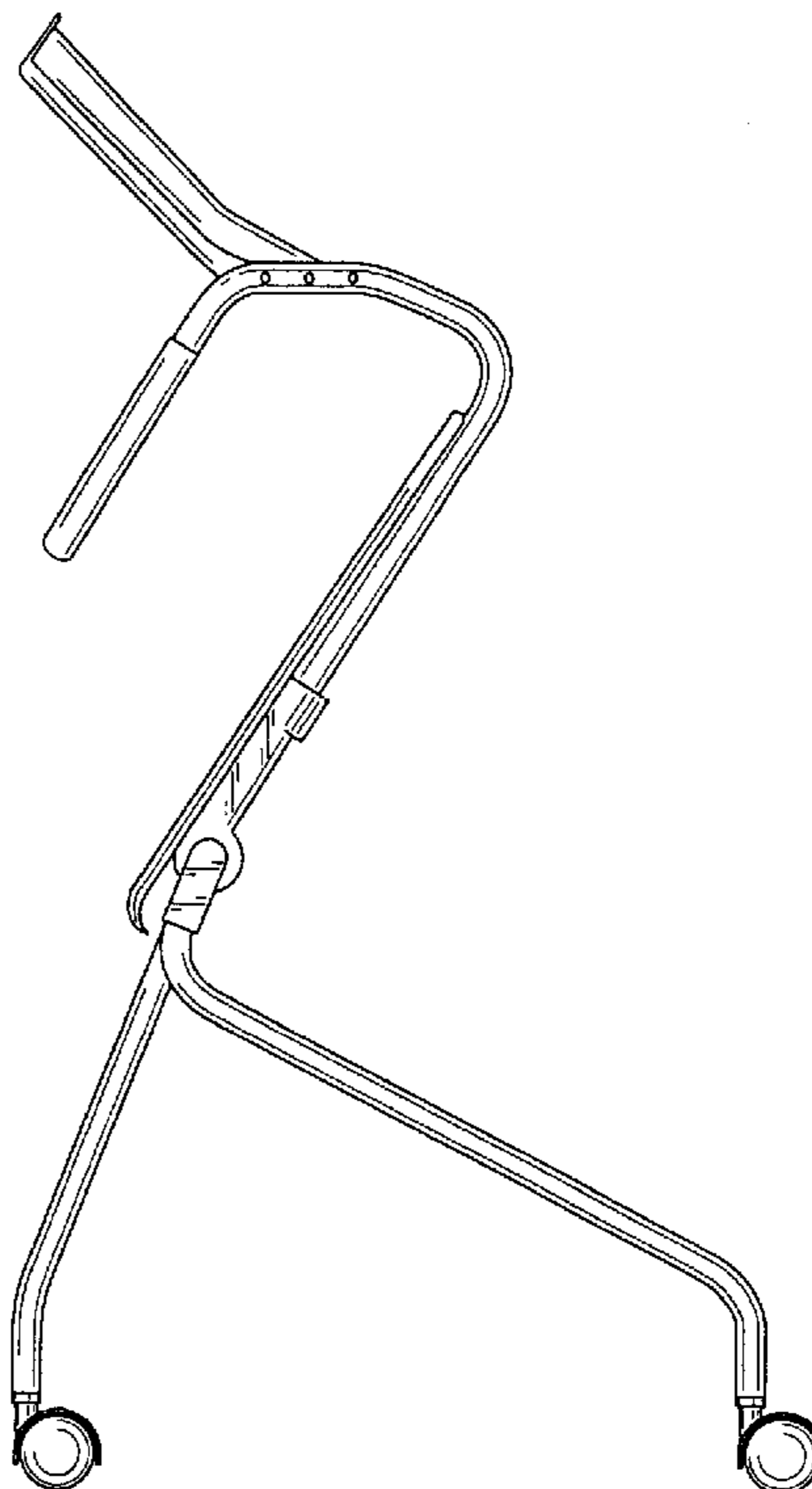
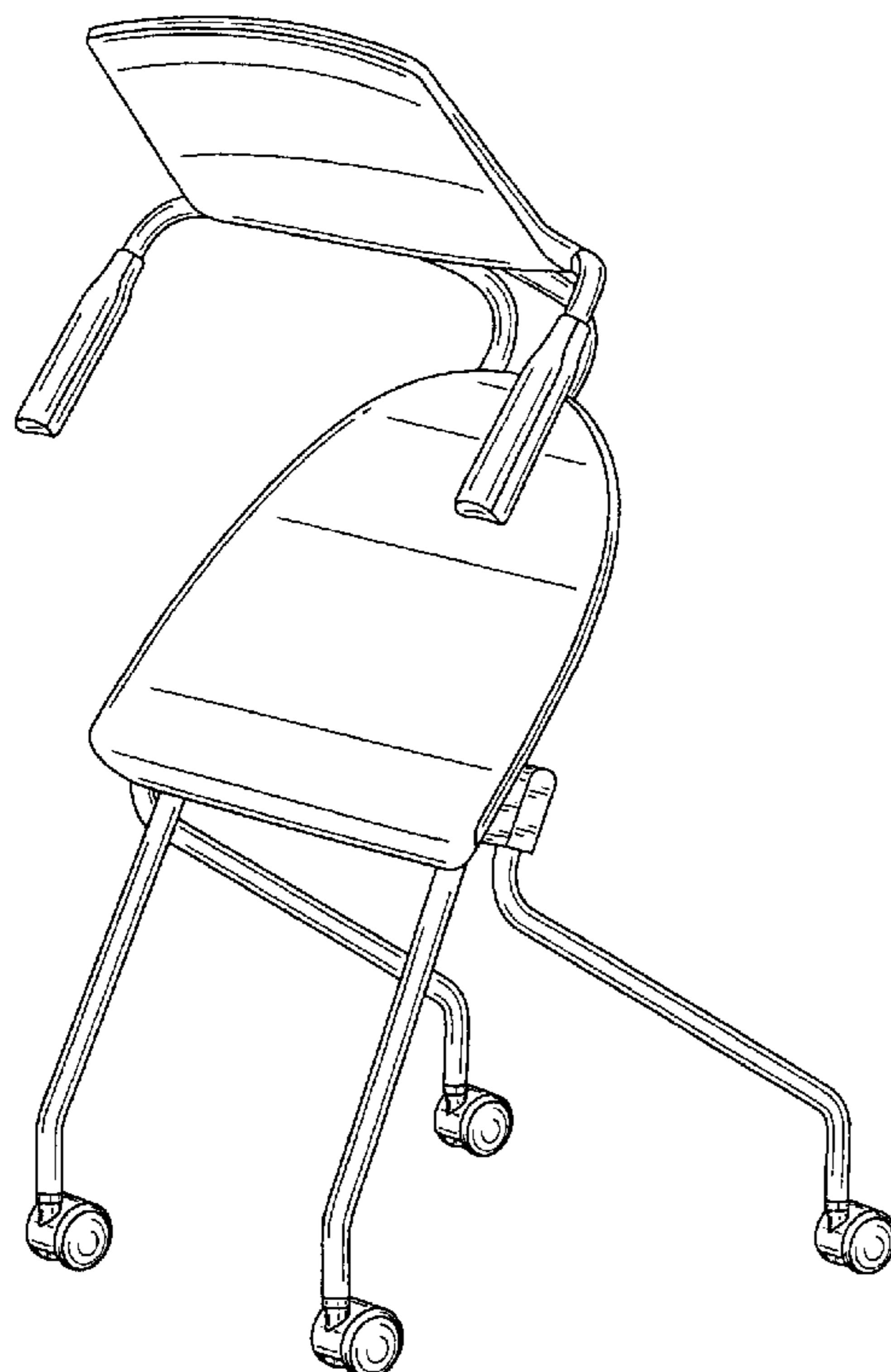
(57) **CLAIM**

I claim the ornamental design for a chair, as shown and described.

DESCRIPTION

FIG. 1 is a perspective view of the chair;
FIG. 2 is a front side view of the design shown in FIG. 1;
FIG. 3 is a back side view of the design shown in FIG. 1;
FIG. 4 is a right side view of the design shown in FIG. 1;
FIG. 5 is a left side view of the design shown in FIG. 1;
FIG. 6 is a top view of the design shown in FIG. 1; and,
FIG. 7 is a bottom view of the design shown in FIG. 1.

1 Claim, 7 Drawing Sheets



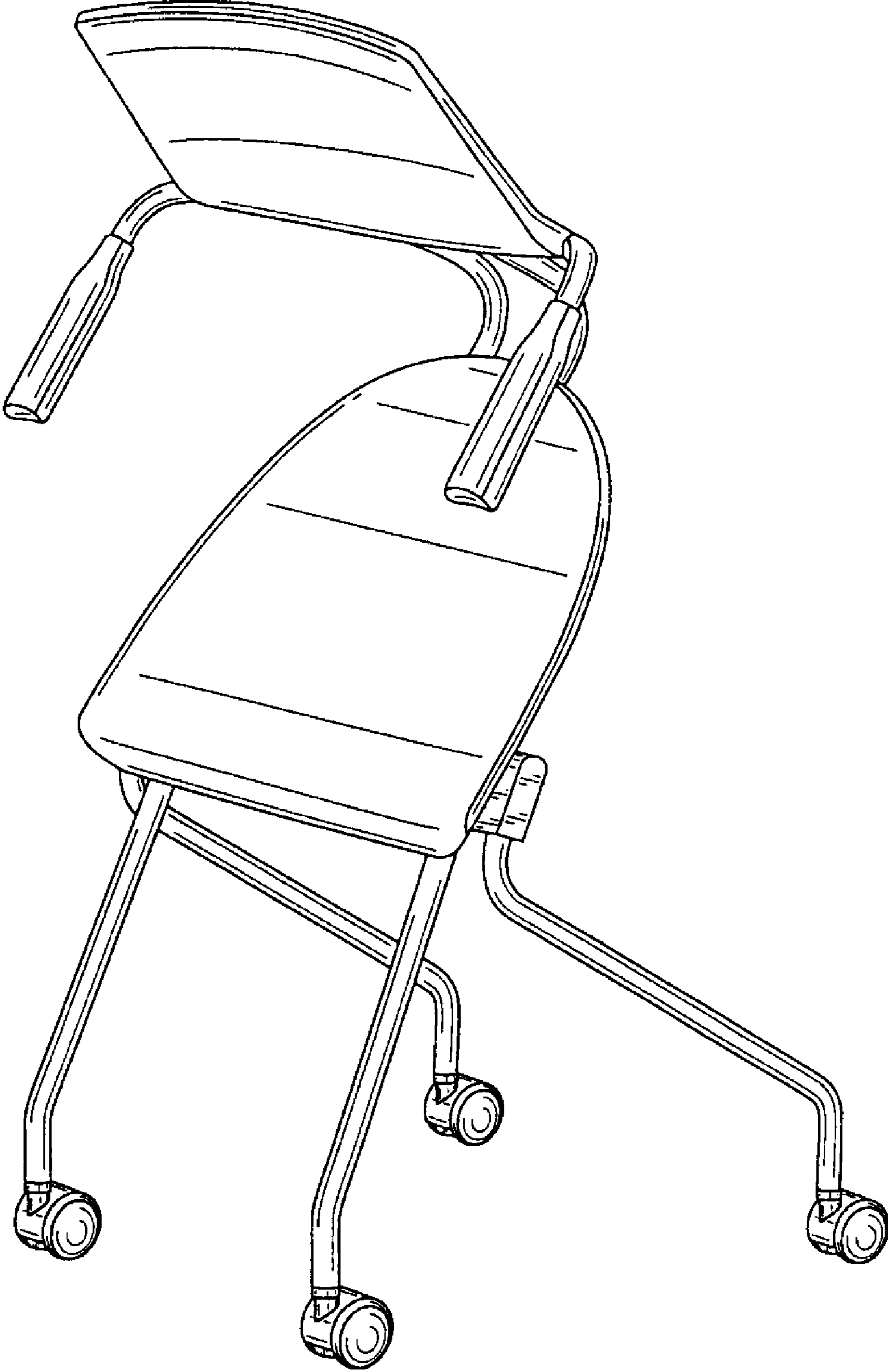


FIG. 1

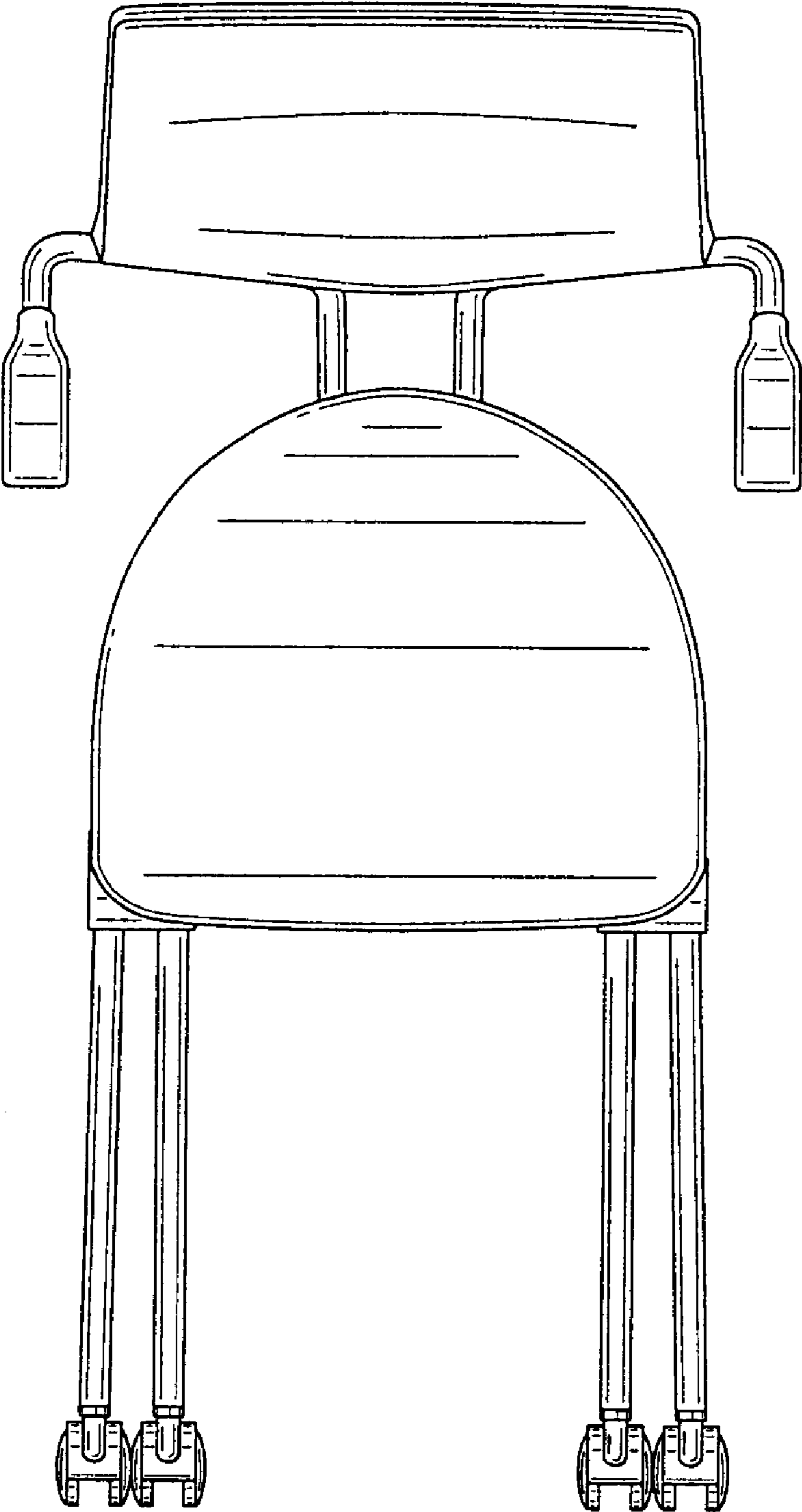


FIG. 2

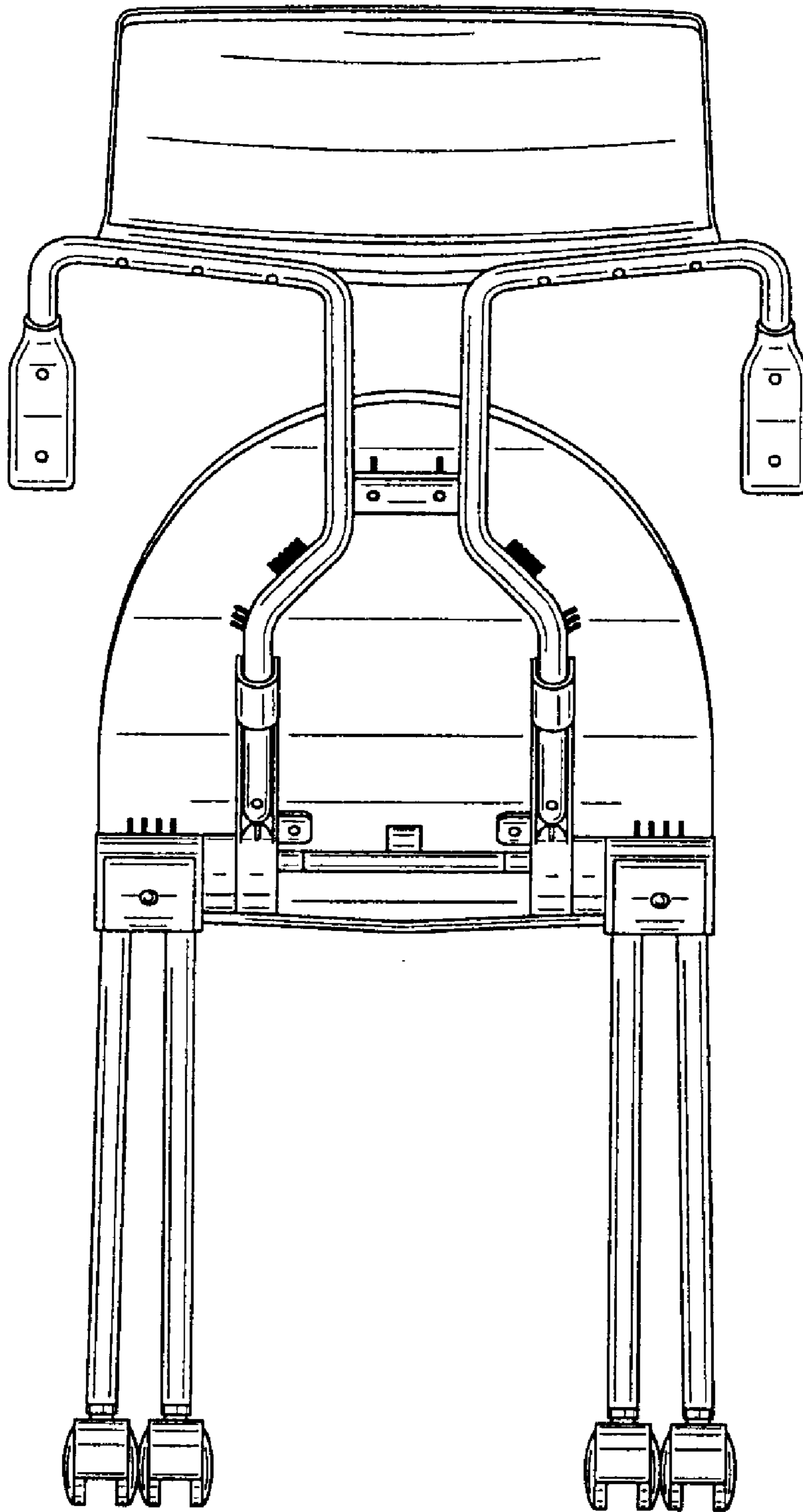


FIG. 3

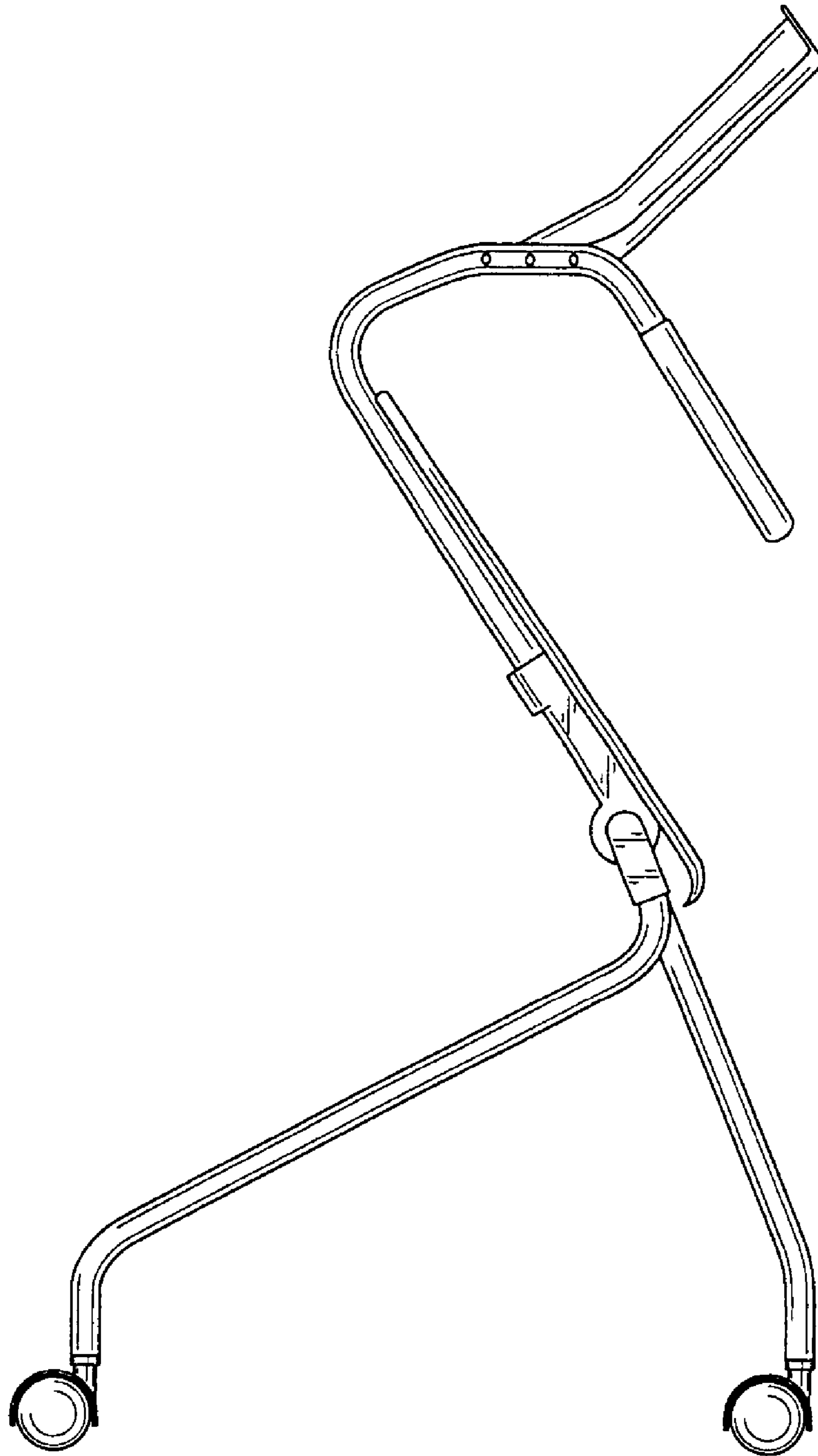


FIG. 4

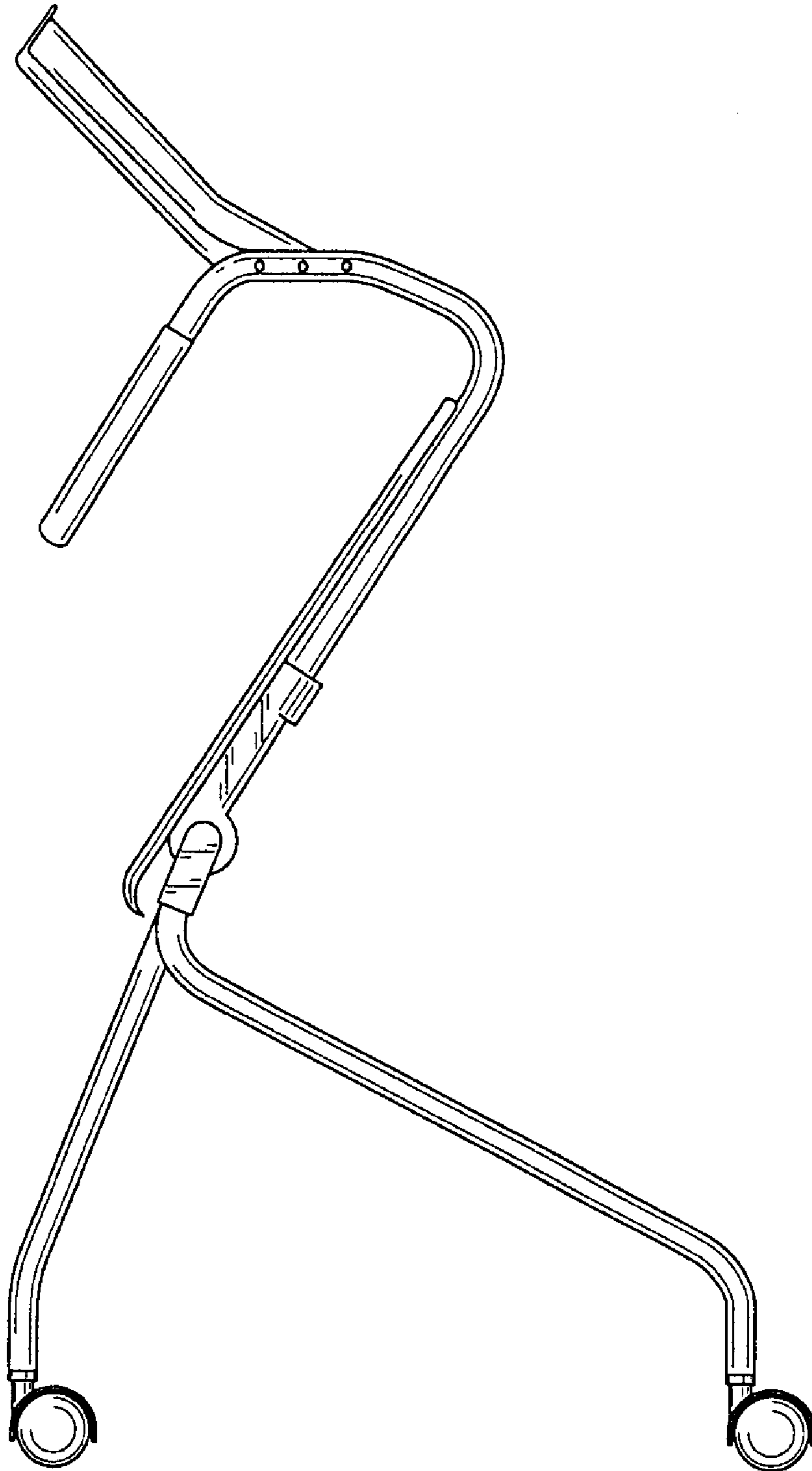


FIG. 5

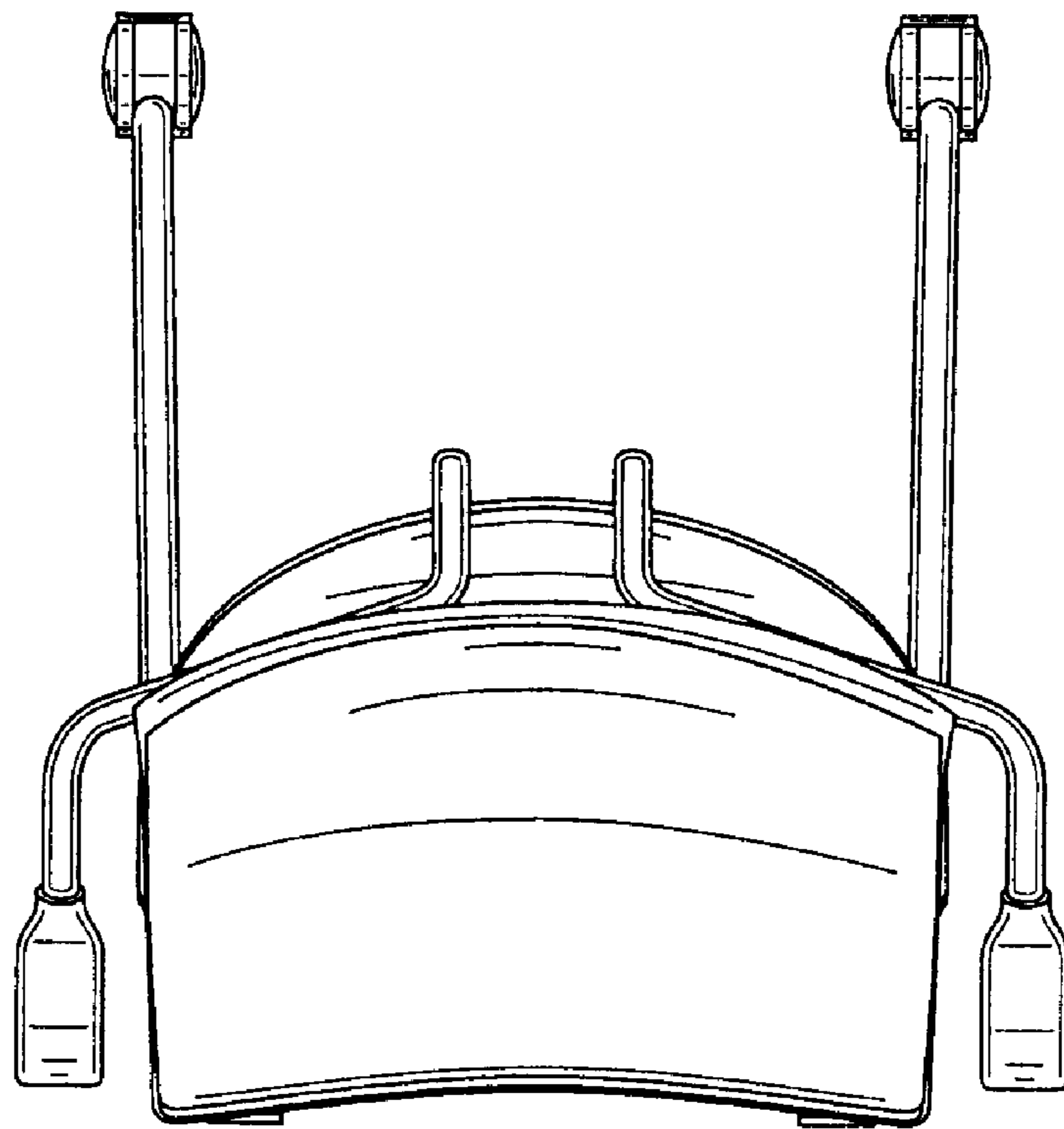


FIG. 6

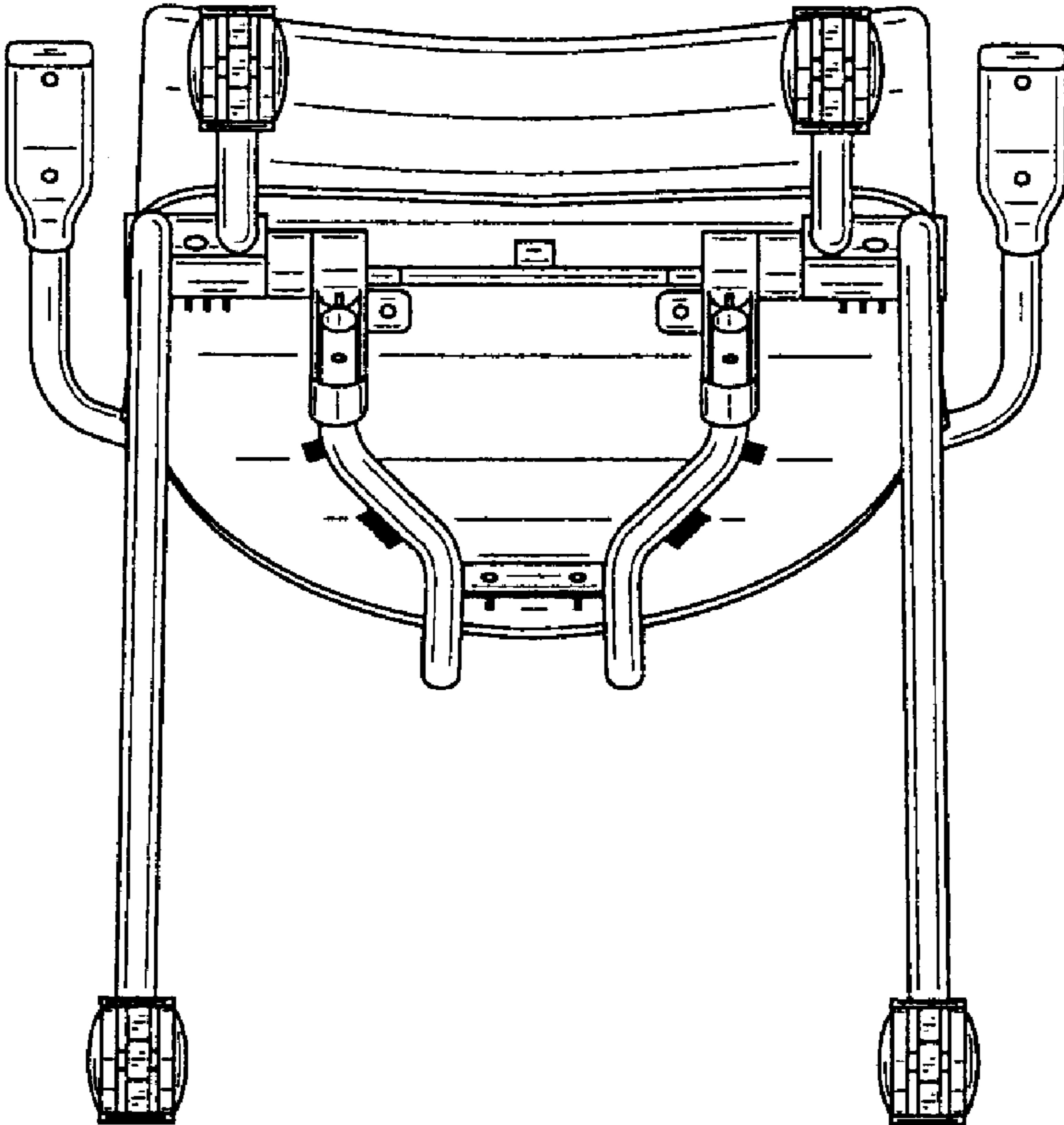


FIG. 7