



US00D512234S

(12) **United States Design Patent**
Spector et al.

(10) **Patent No.:** **US D512,234 S**
(45) **Date of Patent:** **** Dec. 6, 2005**

(54) **CHAIR**

(76) Inventors: **Frederic Spector**, 3 Armstrong St.,
Providence, RI (US) 02903; **Alan**
Bruno Antonelli, 34 Manor Rd.,
Cronston, RI (US) 02920

(**) **Term:** **14 Years**

(21) **Appl. No.:** **29/215,234**

(22) **Filed:** **Oct. 15, 2004**

(51) **LOC (8) Cl.** **06-01**

(52) **U.S. Cl.** **D6/370; D6/379; D6/380**

(58) **Field of Search** **D6/334, 335, 369,**
D6/370, 374, 375, 379, 380, 381, 500-502;
297/445.1, 446.1, 452.63

(56) **References Cited**

U.S. PATENT DOCUMENTS

D137,587 S	*	4/1944	Harasty	D6/370
D177,072 S	*	3/1956	Smillow	D6/379
D183,618 S	*	9/1958	Kofod-Larsen	D6/379
D193,842 S	*	10/1962	Ohlsson	D6/379
D193,843 S	*	10/1962	Ohlsson	D6/379
D193,844 S	*	10/1962	Ohlsson	D6/379
D311,098 S	*	10/1990	Lee et al.	D6/380
D339,247 S	*	9/1993	Grosfillex	D6/379

D341,494 S	*	11/1993	Ohashi et al.	D3/370
D341,728 S	*	11/1993	Grosfillex	D6/379
D345,869 S	*	4/1994	Grosfillex	D6/381
D395,174 S	*	6/1998	Diaz-Azcuy	D6/369
D396,365 S	*	7/1998	Lizell	D6/500
D399,667 S	*	10/1998	Muller	D6/370
D420,825 S	*	2/2000	Lin	D6/370
D459,904 S	*	7/2002	Hutton	D6/370
D498,938 S	*	11/2004	Kingsley et al.	D6/370

* cited by examiner

Primary Examiner—Mimosa De

(74) *Attorney, Agent, or Firm*—Schwartz Law Firm P.C.

(57) **CLAIM**

We claim the ornamental design for a chair, as shown.

DESCRIPTION

FIG. 1 is a front perspective view of the chair with a cushion shown in phantom, the cushion forming no part of the claimed design;

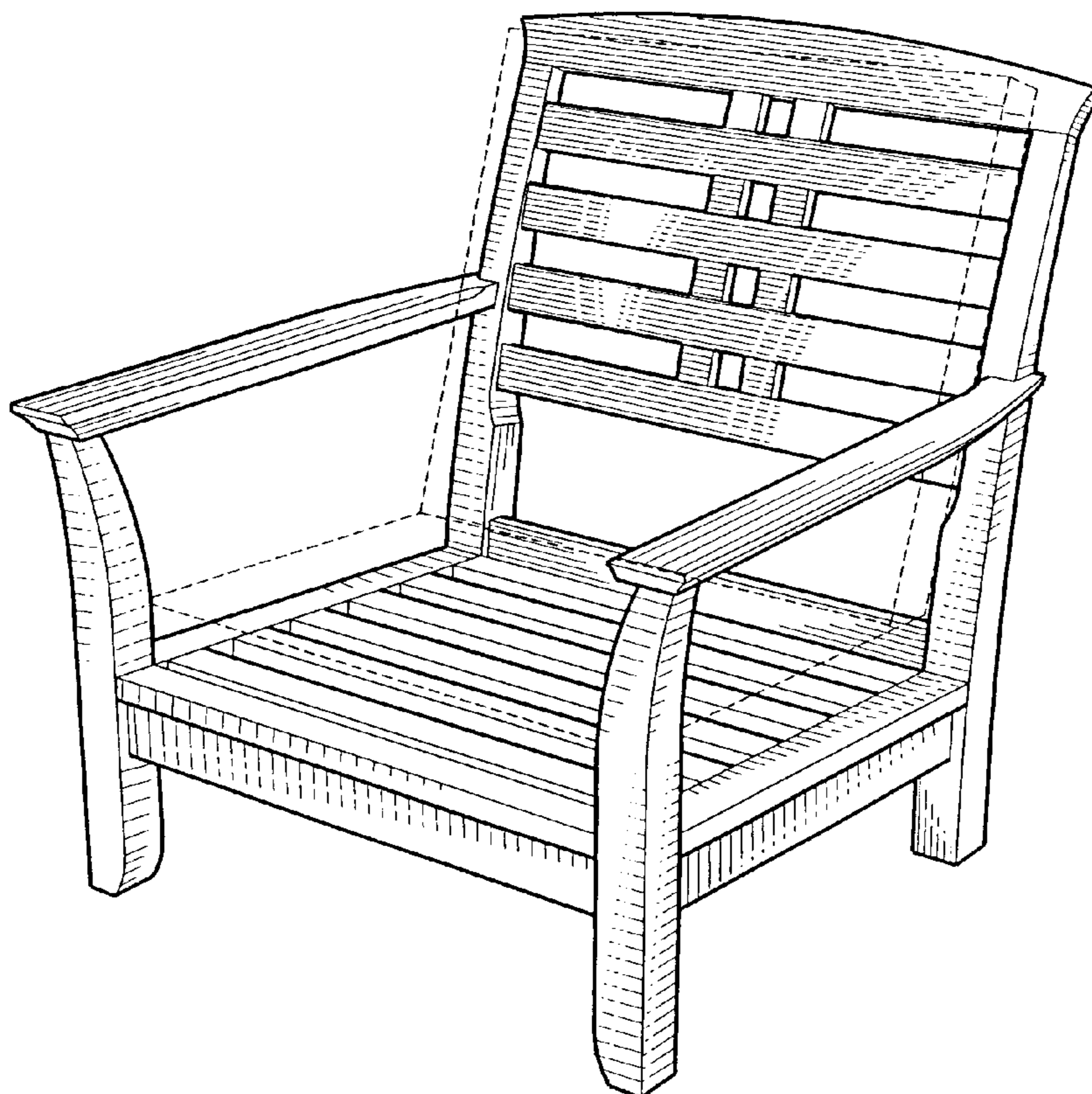
FIG. 2 is back perspective view of the chair;

FIG. 3 is a left side view thereof, the right side being a mirror image thereof;

FIG. 4 is a front view thereof; and,

FIG. 5 is a top view thereof.

1 Claim, 5 Drawing Sheets



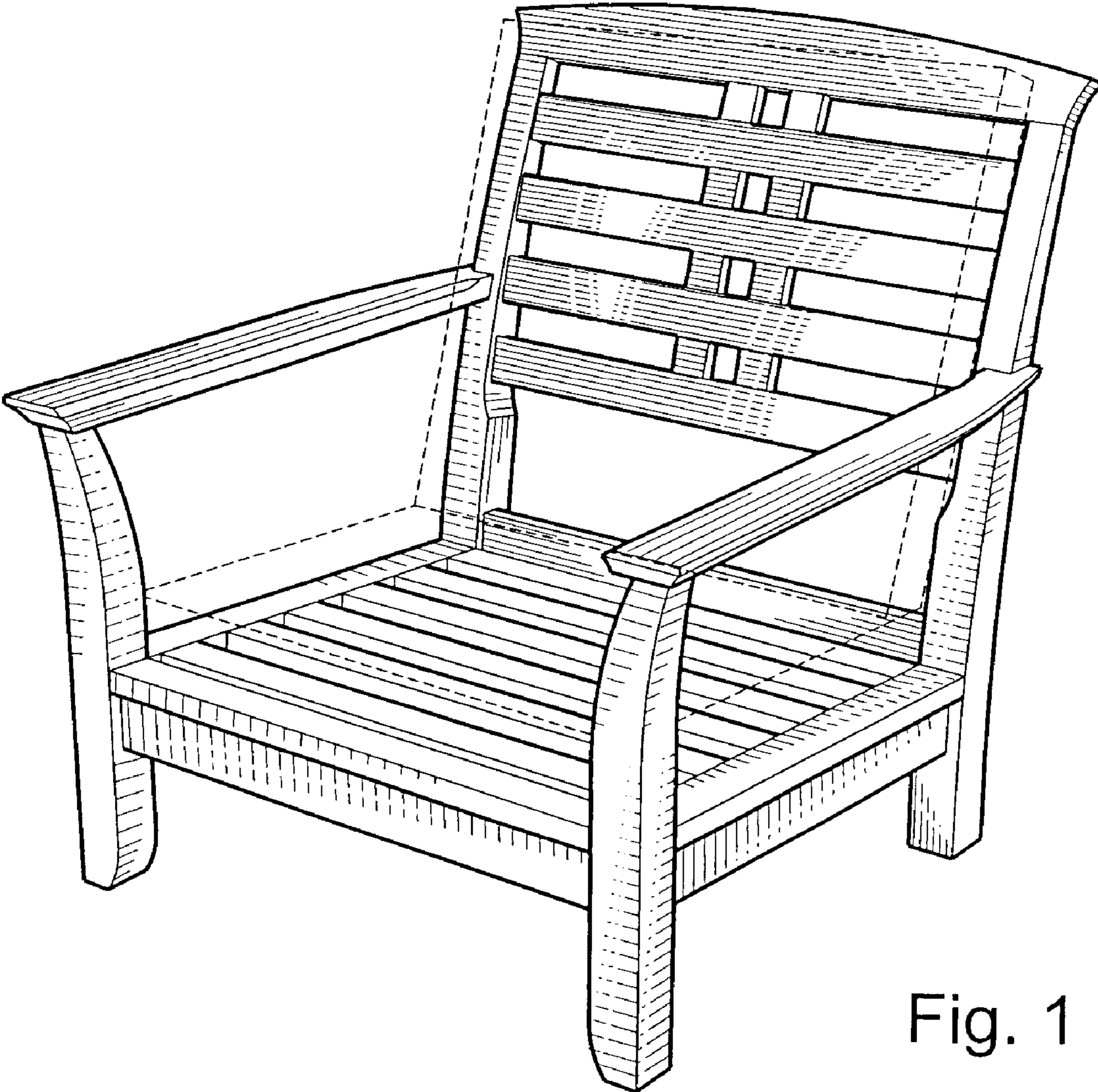


Fig. 1

Fig. 2

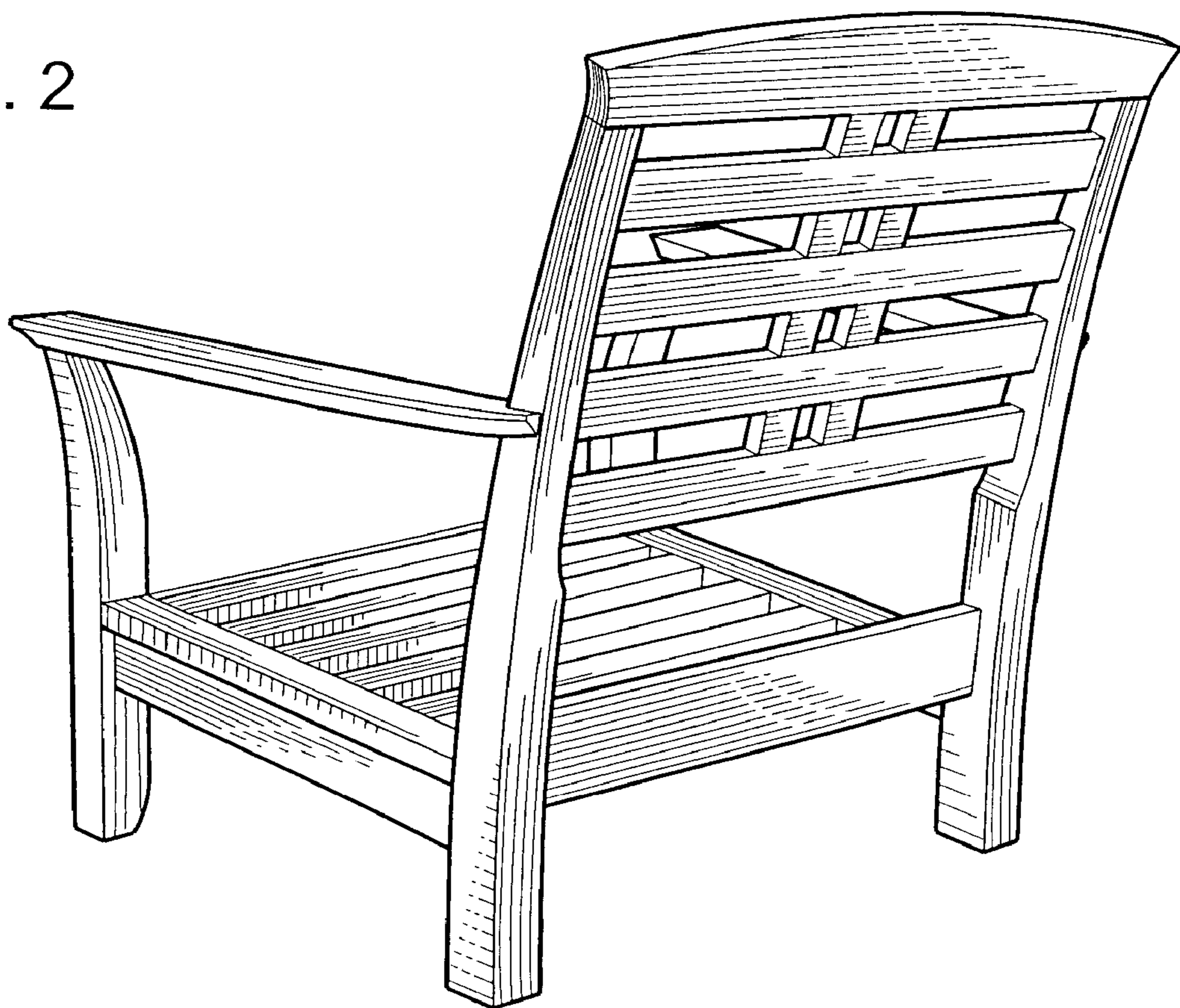
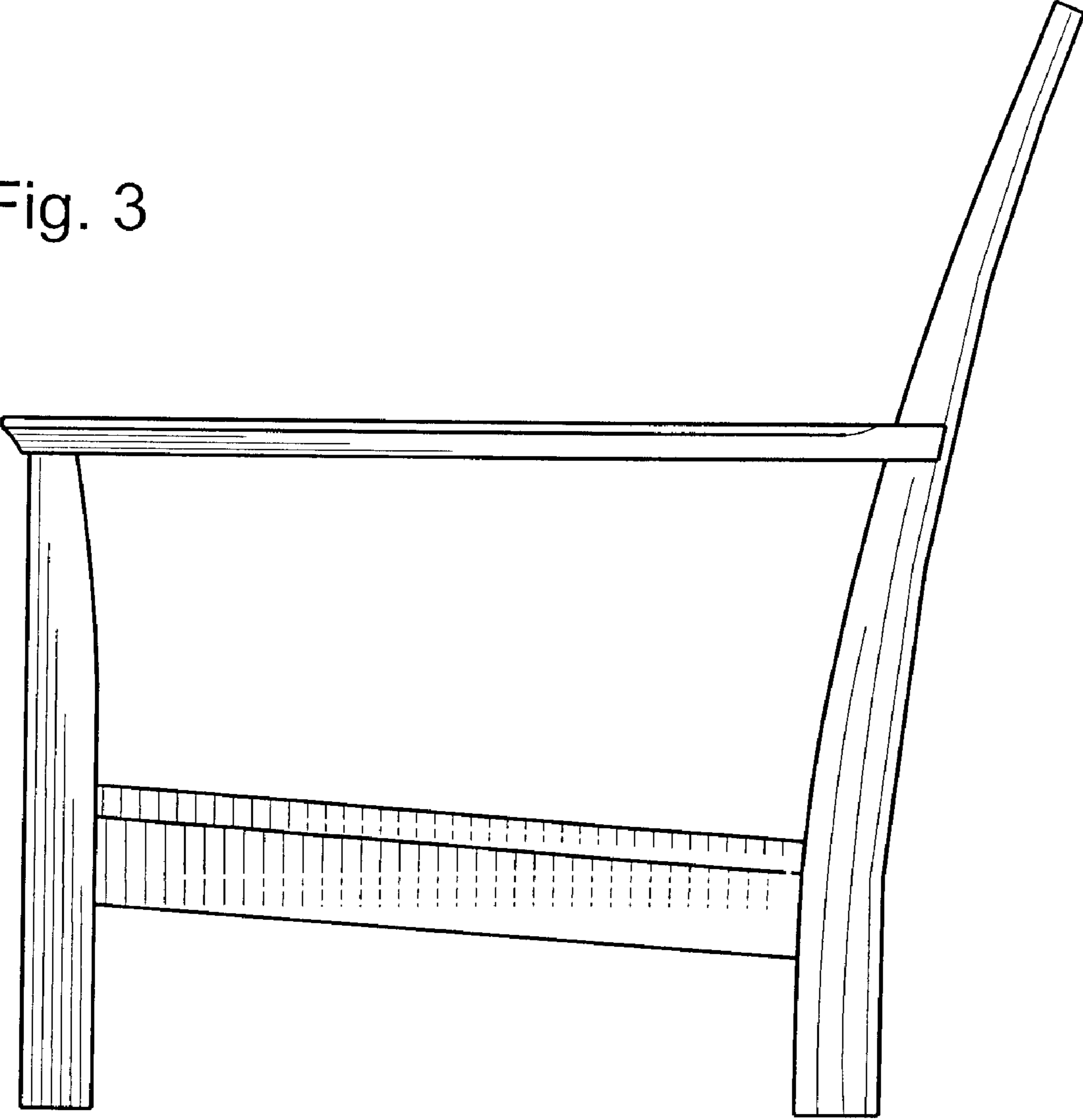


Fig. 3



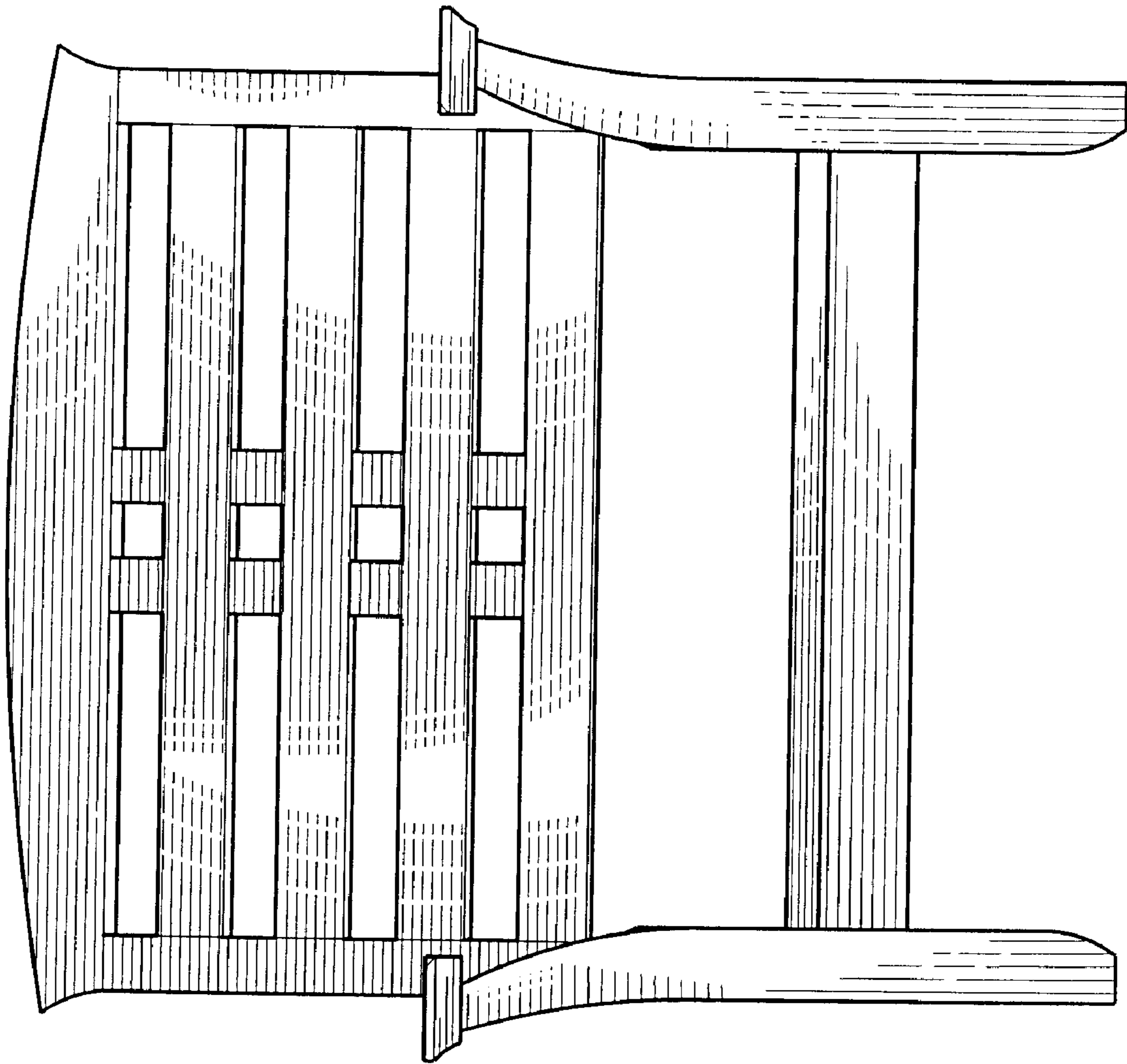


Fig. 4

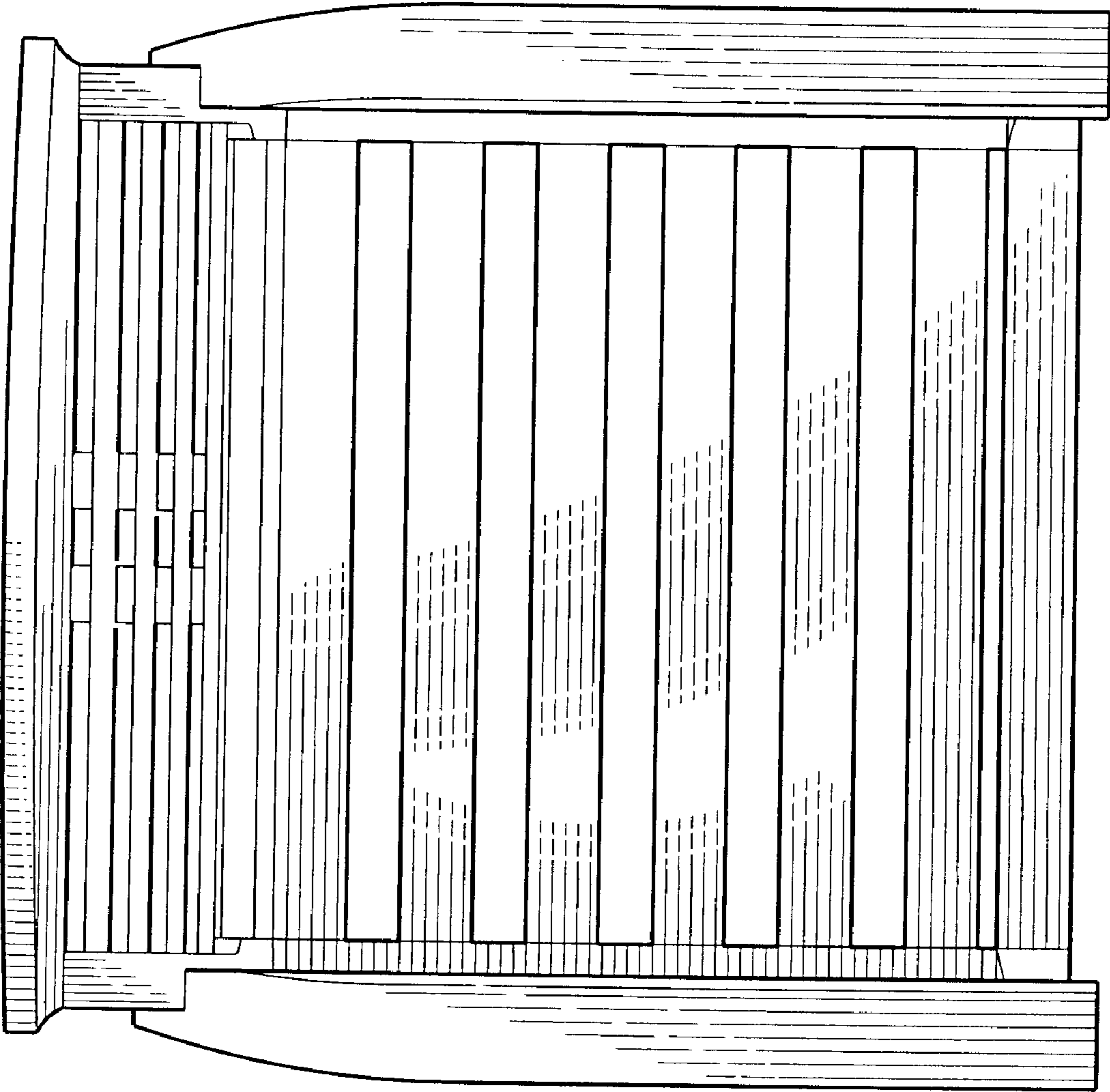


Fig. 5