



US00D512231S

(12) **United States Design Patent**  
**Landin Lorentzen**

(10) **Patent No.:** **US D512,231 S**  
(45) **Date of Patent:** **\*\* Dec. 6, 2005**

(54) **CHAIR**

(75) **Inventor:** **Lena Landin Lorentzen, Bollnäs (SE)**

(73) **Assignee:** **RVS Euroflex AB, Huddinge (SE)**

(\*\*) **Term:** **14 Years**

(21) **Appl. No.:** **29/209,357**

(22) **Filed:** **Jul. 15, 2004**

(30) **Foreign Application Priority Data**

Jan. 15, 2004 (EM) ..... 119284

(51) **LOC (8) Cl.** ..... **06-01**

(52) **U.S. Cl.** ..... **D6/366**

(58) **Field of Search** ..... D6/334, 364, 365,  
D6/366, 367, 379, 380, 498, 500-502;  
297/391, 394, 396, 397, 405, 410, 411.2,  
411.27, 353

(56) **References Cited**

**U.S. PATENT DOCUMENTS**

D108,940 S \* 3/1938 Gabb ..... D6/366

D127,977 S \* 7/1941 Shepherd ..... D6/366  
D211,461 S \* 6/1968 Walkinshaw ..... D6/366  
D218,159 S \* 7/1970 Harlang et al. .... D6/366  
D239,988 S \* 5/1976 Dittert ..... D6/366  
D283,762 S \* 5/1986 Caruso ..... D6/360  
2003/0197407 A1 \* 10/2003 Sanchez ..... 297/353

\* cited by examiner

*Primary Examiner*—Mimosa De

(57) **CLAIM**

The ornamental design for a “chair,” as shown and described.

**DESCRIPTION**

FIG. 1 is a perspective view of the chair according to the present invention;  
FIG. 2 is a front view of the chair of FIG. 1;  
FIG. 3 is a rear view of the chair of FIG. 1  
FIG. 4 is a bottom view of the chair of FIG. 1;  
FIG. 5 is a top view of the chair of FIG. 1;  
FIG. 6 is a right hand side view of the chair of FIG. 1; and,  
FIG. 7 is a left hand side view of the chair of FIG. 1.

**1 Claim, 7 Drawing Sheets**

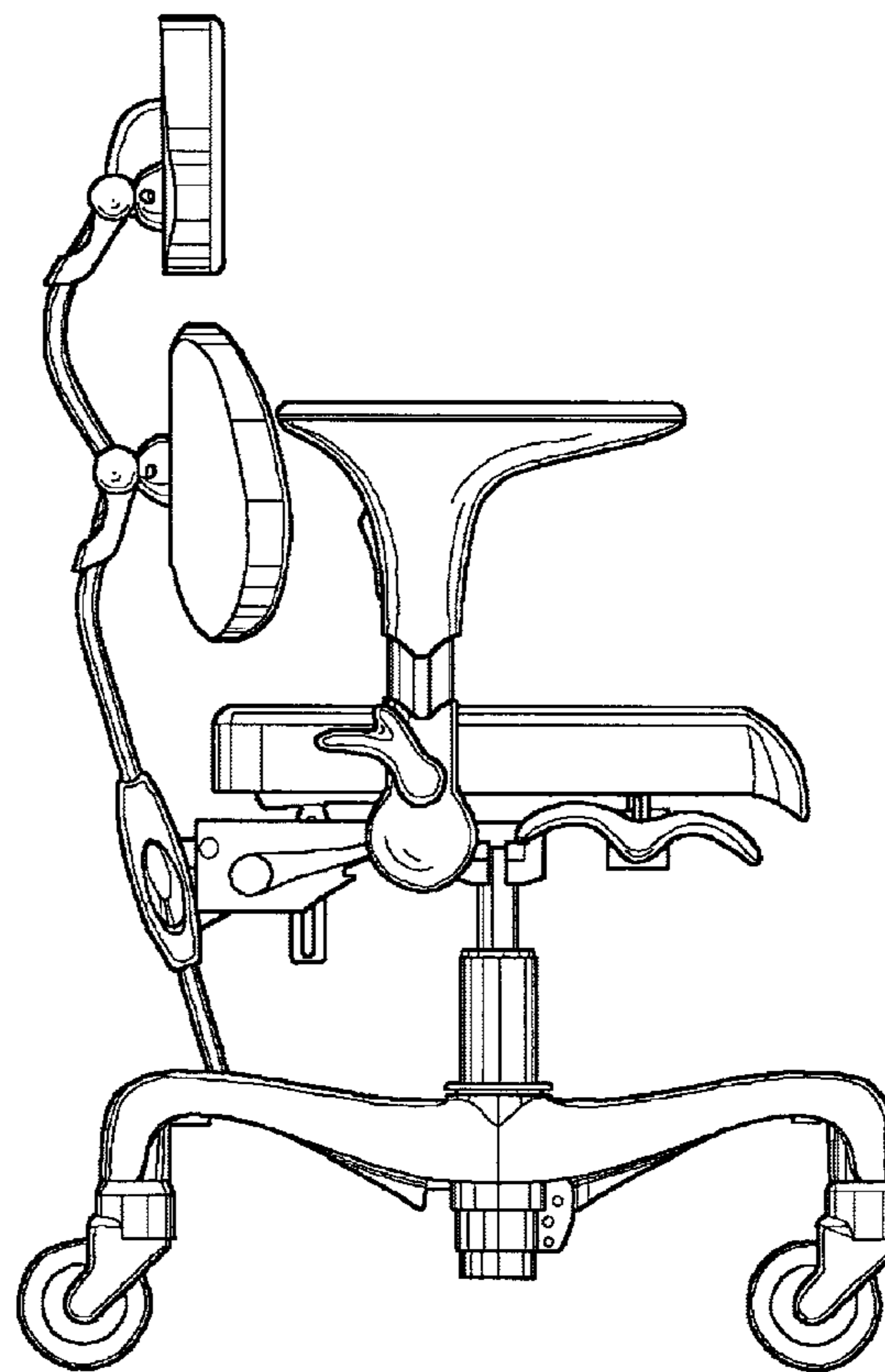
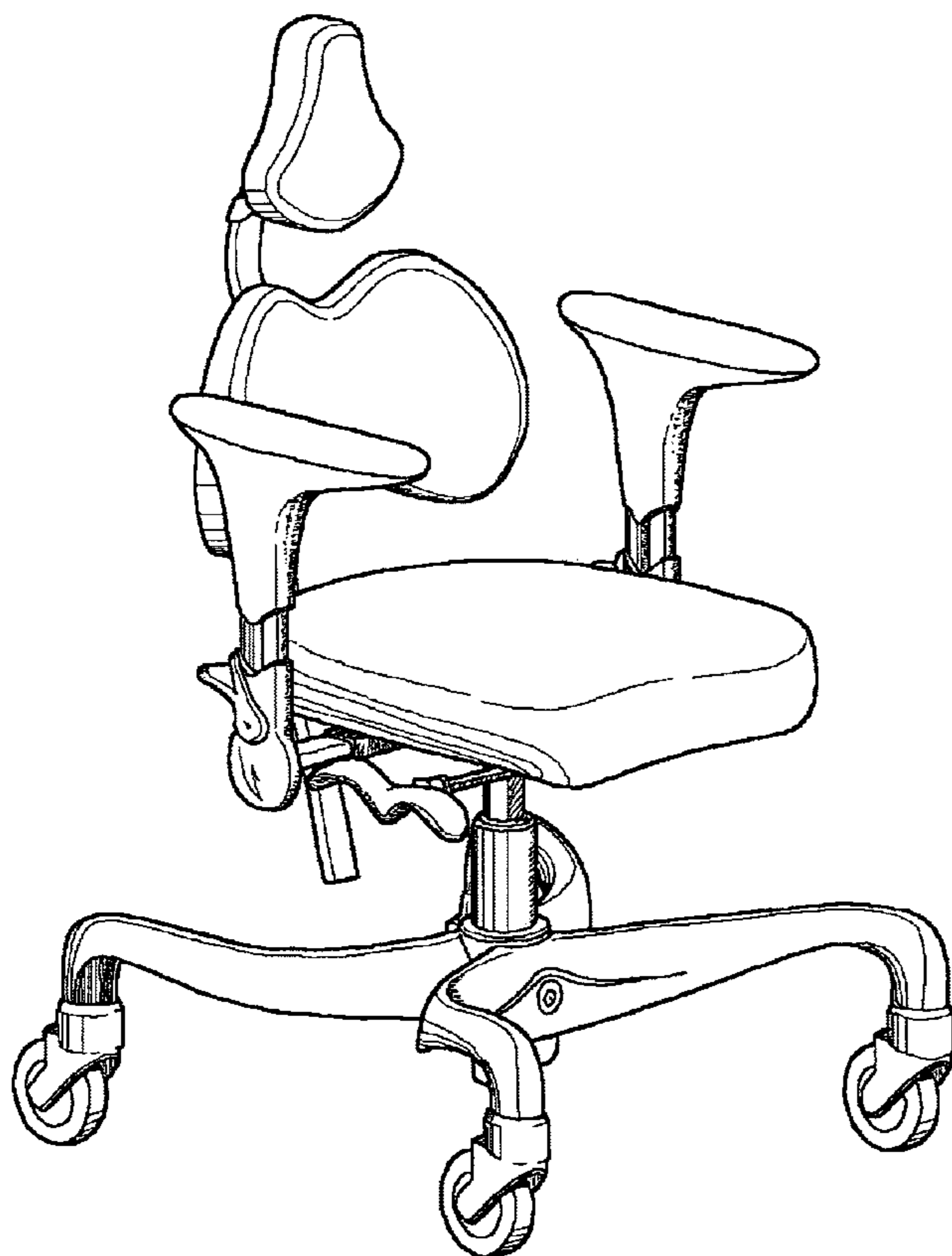


Fig. 1

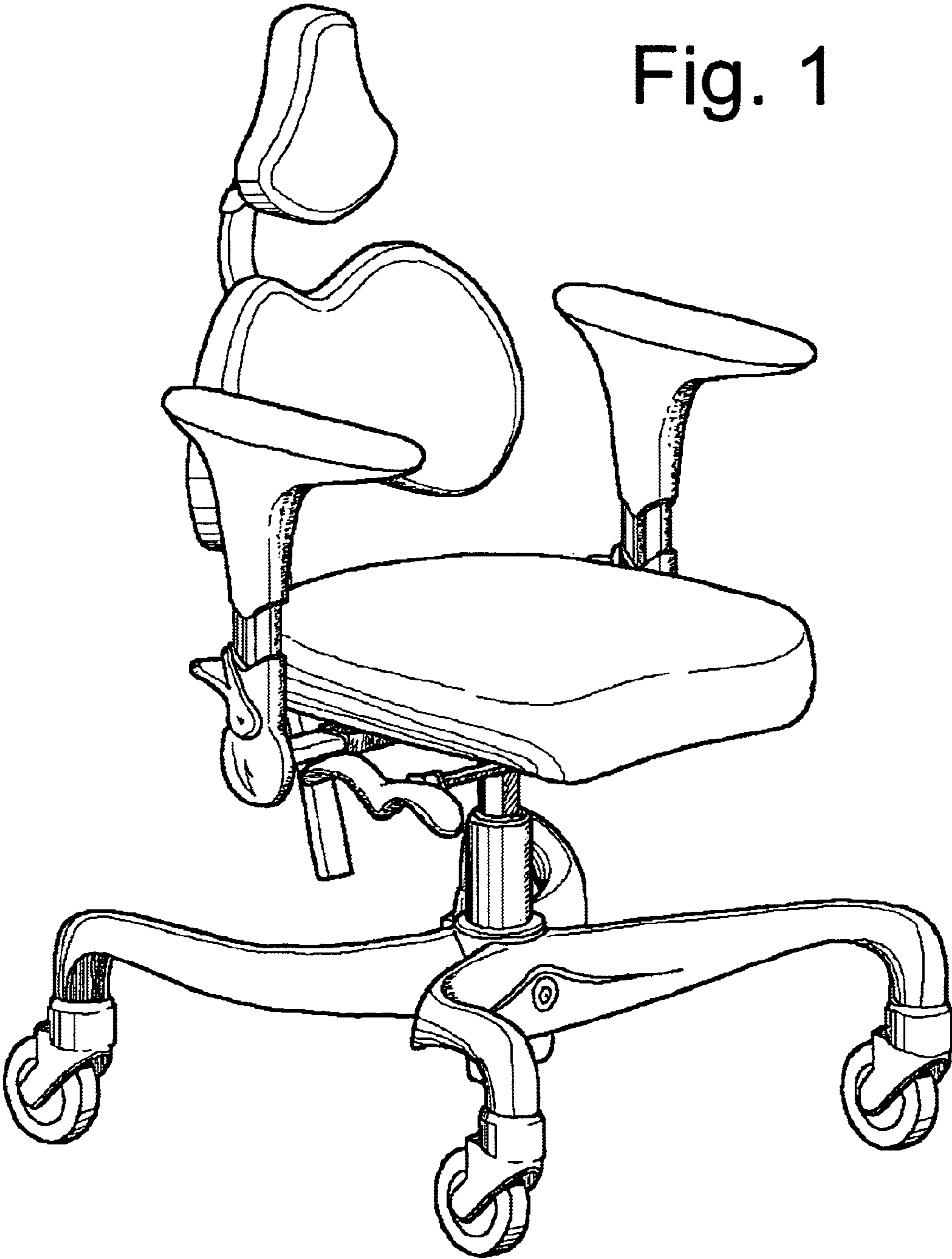




Fig. 3

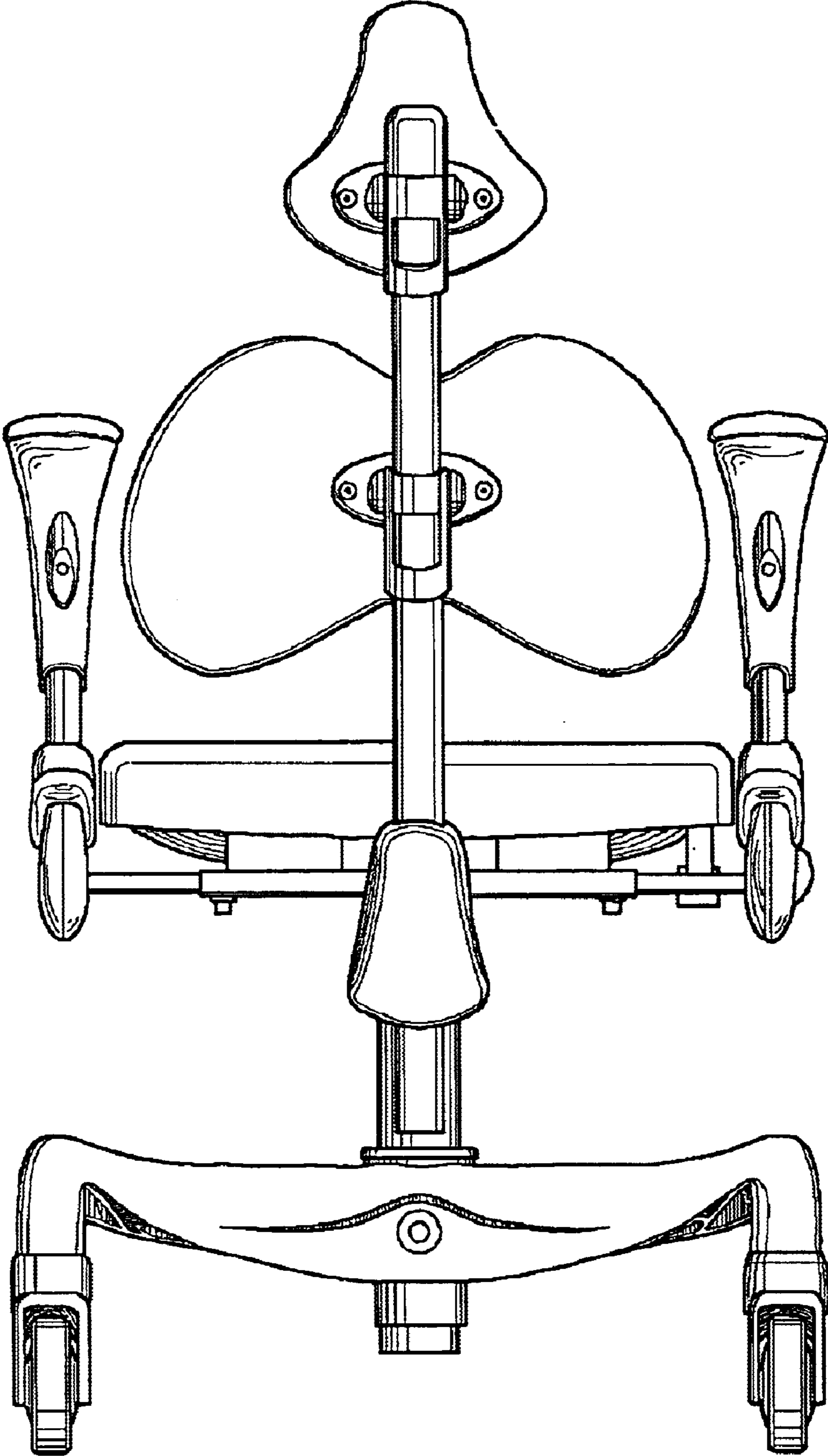


Fig. 4

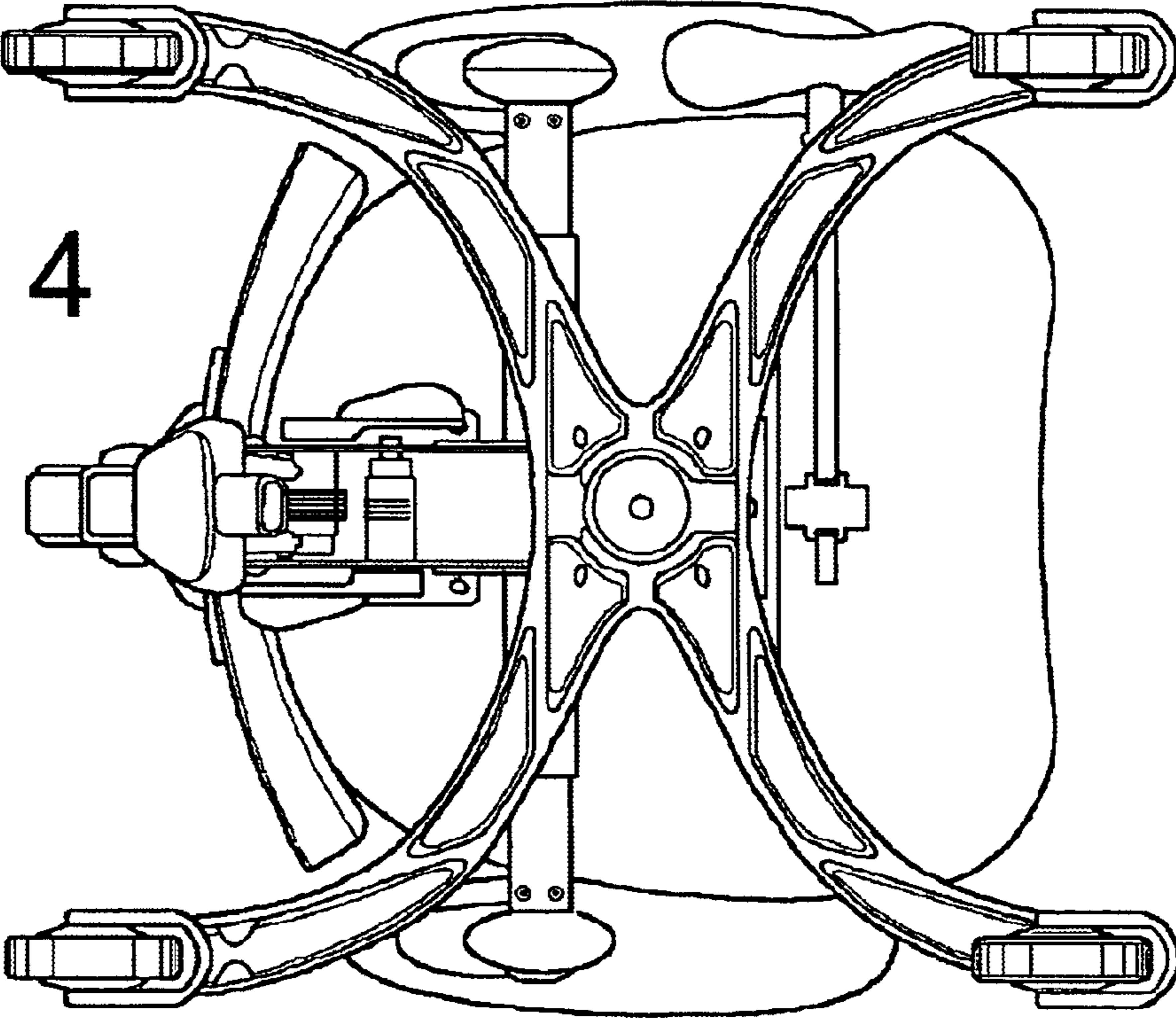


Fig. 5

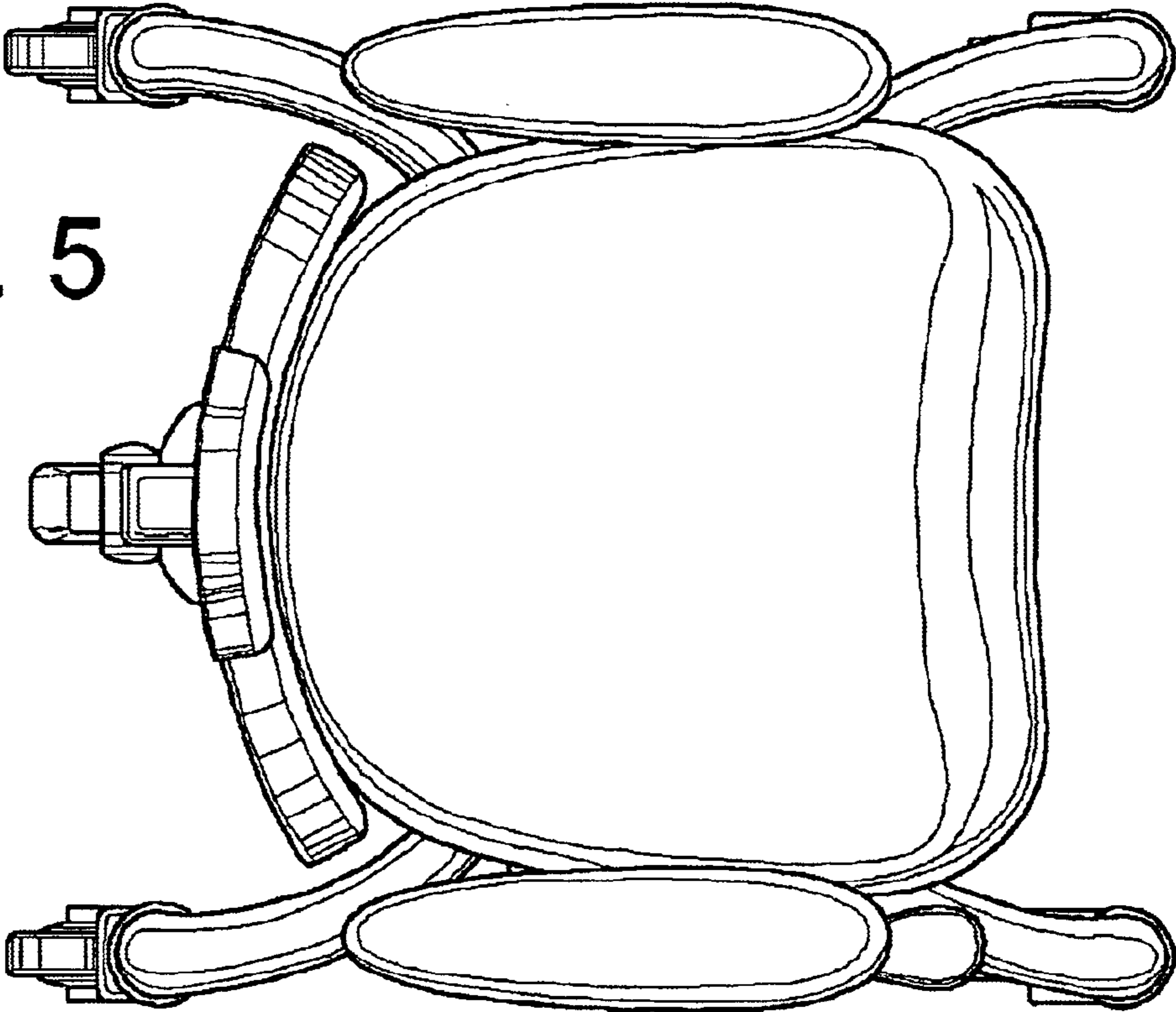


Fig. 6

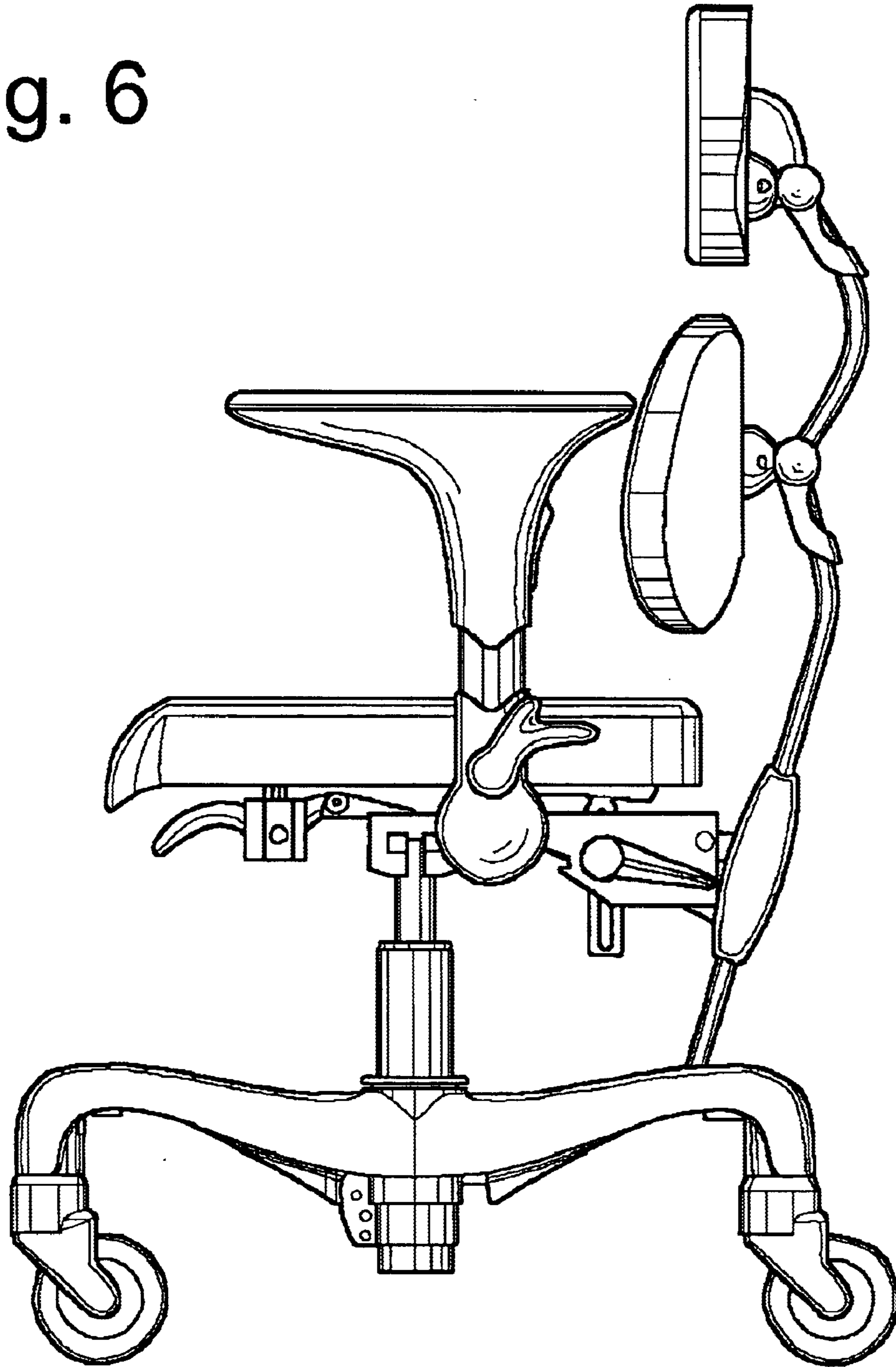


Fig. 7

