



US00D512229S

(12) **United States Design Patent**
Reza-Hadden

(10) **Patent No.:** **US D512,229 S**
(45) **Date of Patent:** **** Dec. 6, 2005**

(54) **BENCH**

(75) Inventor: **Ana Maria Reza-Hadden**, San Rafael, CA (US)

(73) Assignee: **Landscape Forms, Inc.**, Kalamazoo, MI (US)

(**) Term: **14 Years**

(21) Appl. No.: **29/211,831**

(22) Filed: **Aug. 23, 2004**

(51) **LOC (8) Cl.** **06-01**

(52) **U.S. Cl.** **D6/355; D6/349; D6/381**

(58) **Field of Search** **D6/334-335, 349-353, D6/355, 370, 371, 373-374, 381, 484, 485, 492, 495, 500-502; 297/232, 445.1, 446.1**

(56) **References Cited**

U.S. PATENT DOCUMENTS

D365,937 S	*	1/1996	Skalka	D6/370
D423,239 S	*	4/2000	Hornyak	D6/355
D457,334 S	*	5/2002	Slear	D6/355
D457,738 S	*	5/2002	Slear et al.	D6/355

OTHER PUBLICATIONS

“Metal-Form”, Wausautille, Sweets Catalog 2004, Division 02870, BuyLine 1115.

“Production Series”, Victor Stanley, Sweets Catalog 2004, Division 02870, BuyLine 1157.

“The Carnival”, Thomas-Steel, Sweets Catalog 2004, Division 02870, one page.

“Columbia Cascade”, Timberform, Sweets Catalog 2004, Division 02870, p. 6.

“Columbia Cascade”, Timberform, Sweets Catalog 2004, Division 02870, p. 2.

* cited by examiner

Primary Examiner—Joel A. Sincavage

Assistant Examiner—Vy Nguyen

(74) *Attorney, Agent, or Firm*—Jeff Rothenburg, Esq.; Heslin Rothenburg Farley & Mesiti

(57) **CLAIM**

The ornamental design for a bench, as shown and described.

DESCRIPTION

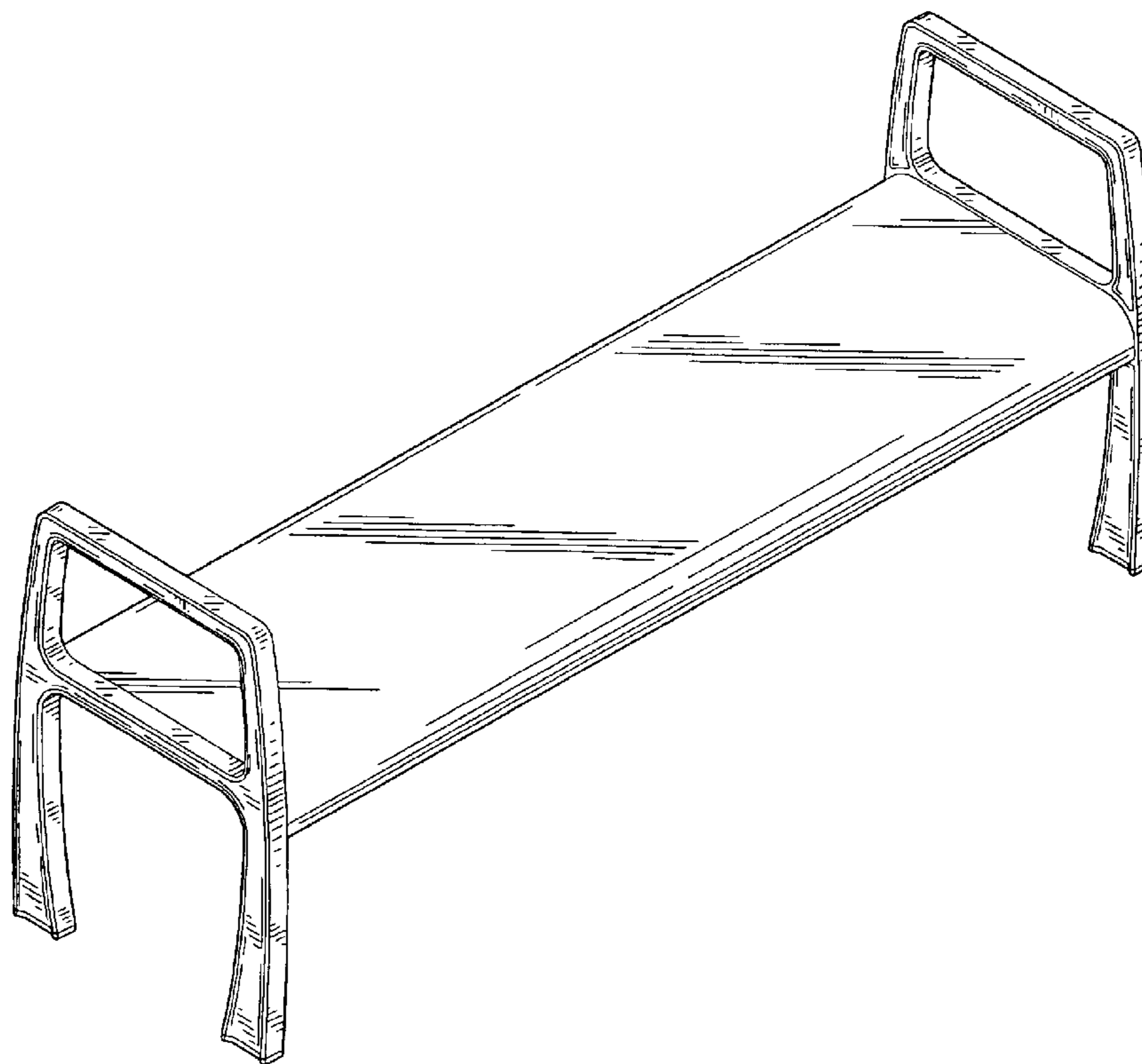
FIG. 1 is an isometric view of the bench of the present design;

FIG. 2 is a front elevation view thereof, the back elevation view being identical thereto;

FIG. 3 is a right side elevational view thereof; the left side elevational view being identical thereto; and,

FIG. 4 is a top plan view thereof.

1 Claim, 4 Drawing Sheets



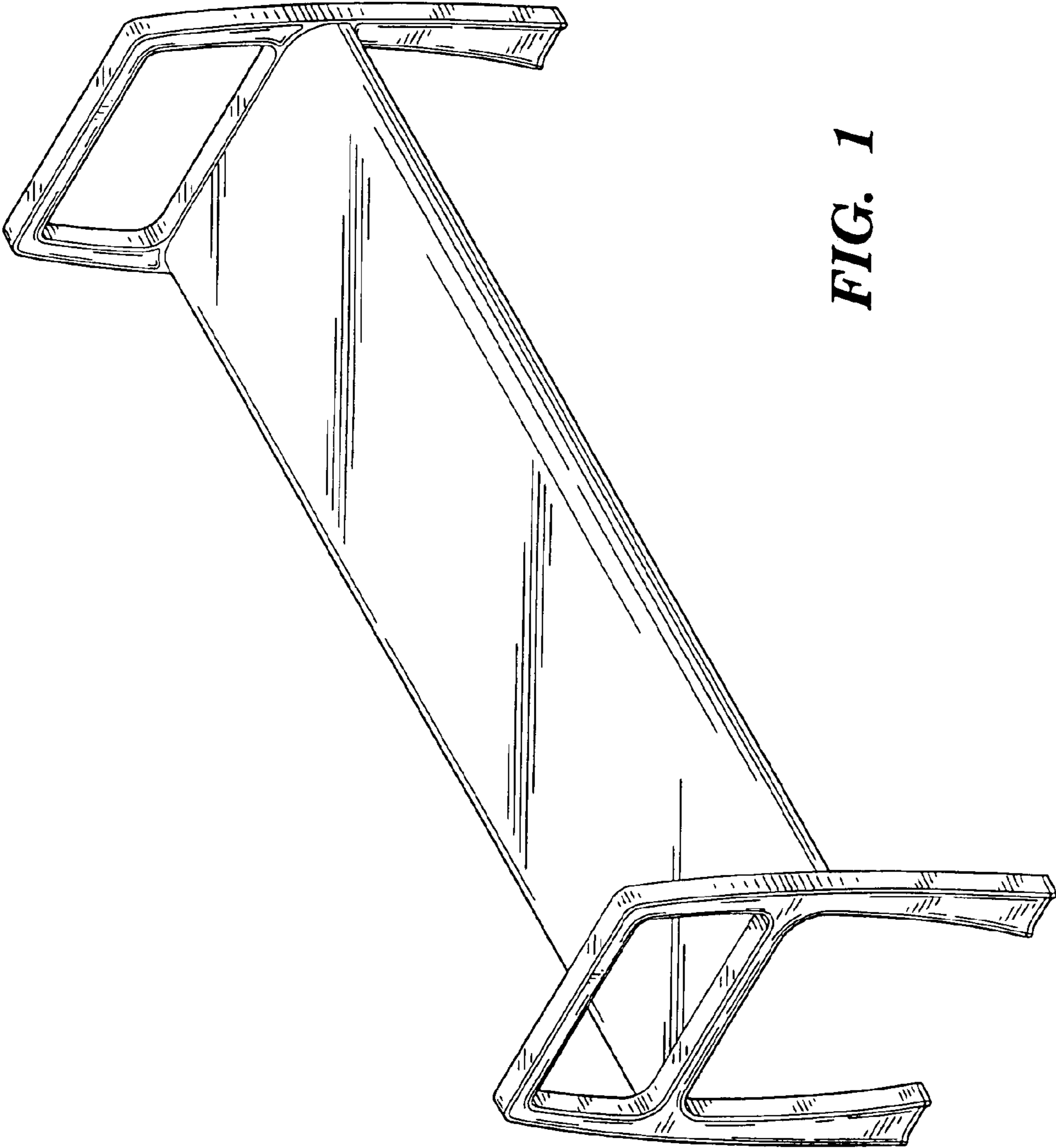


FIG. 1

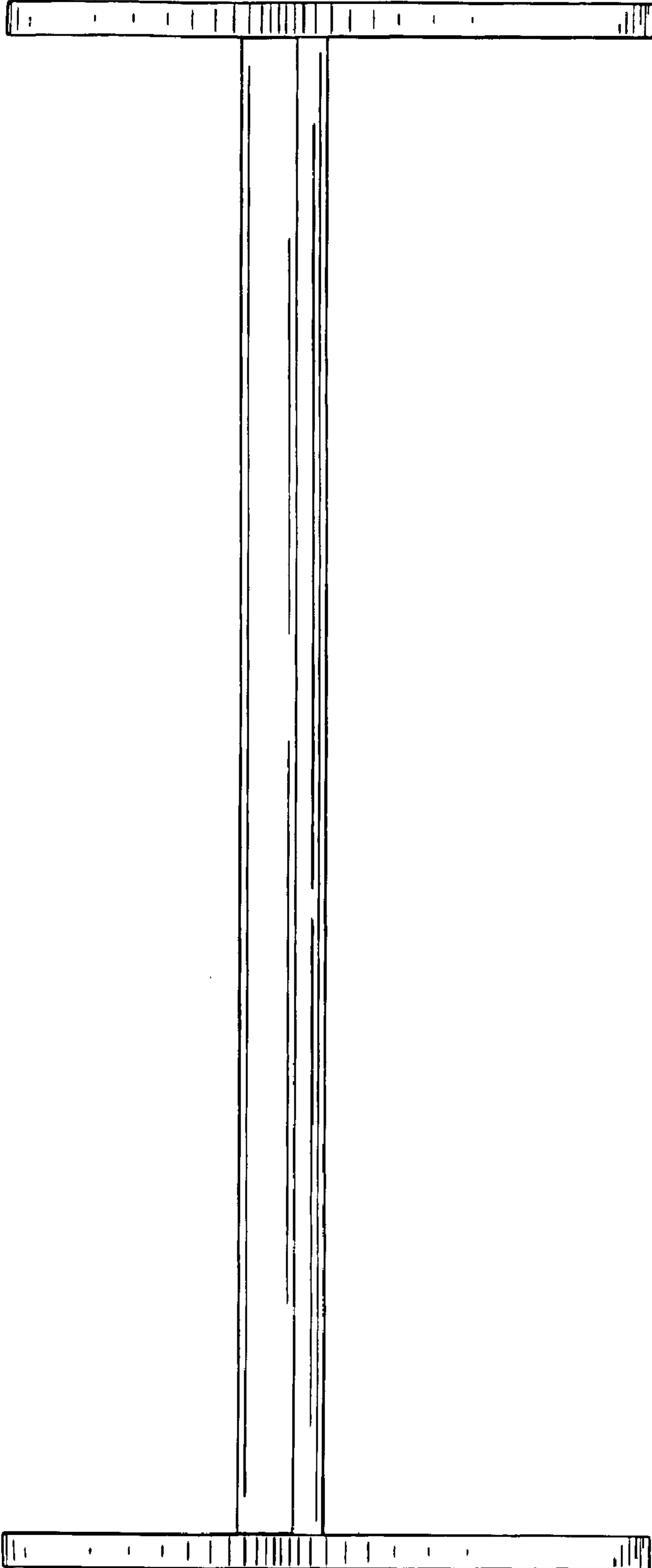


FIG. 2

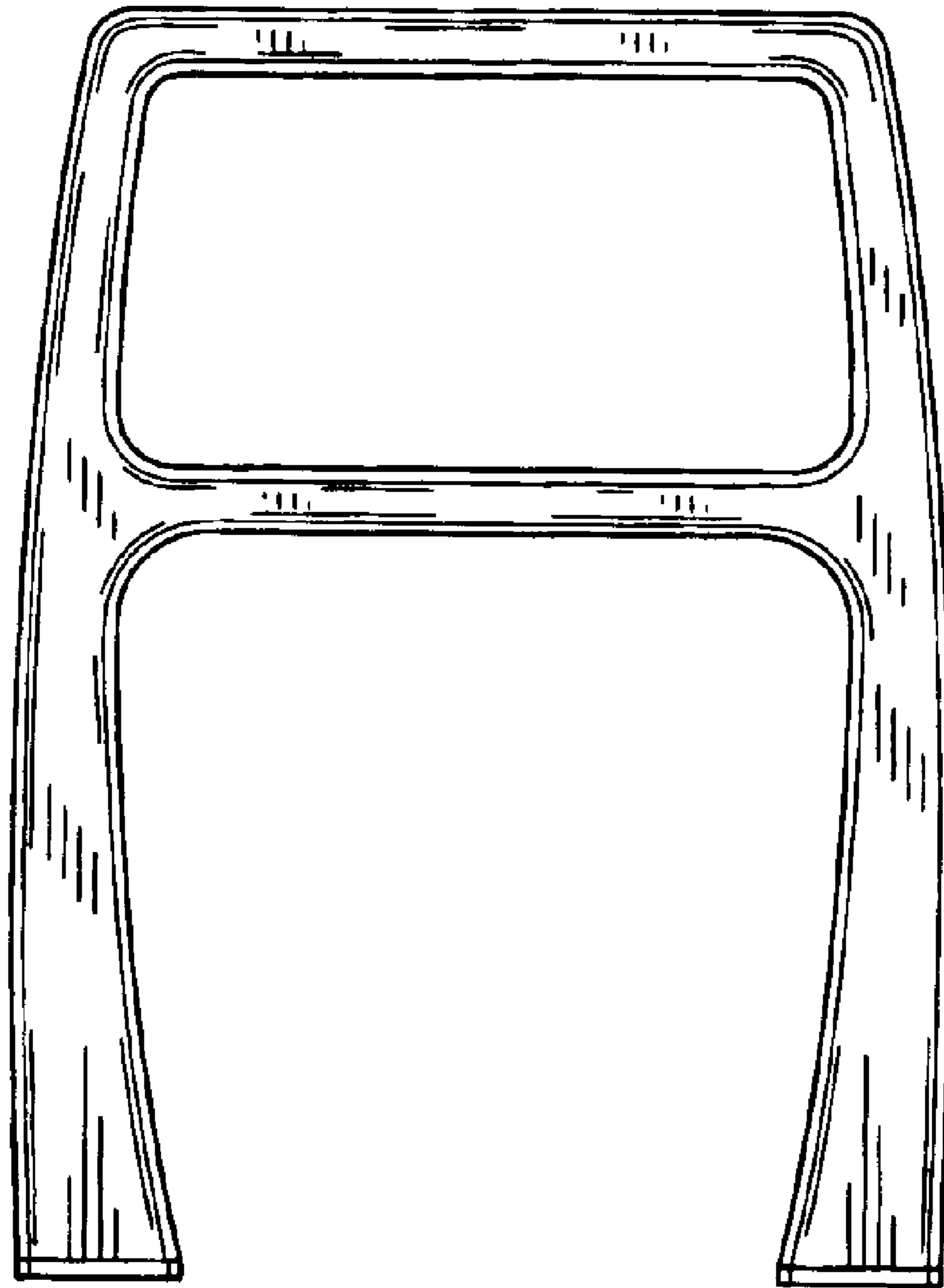


FIG. 3

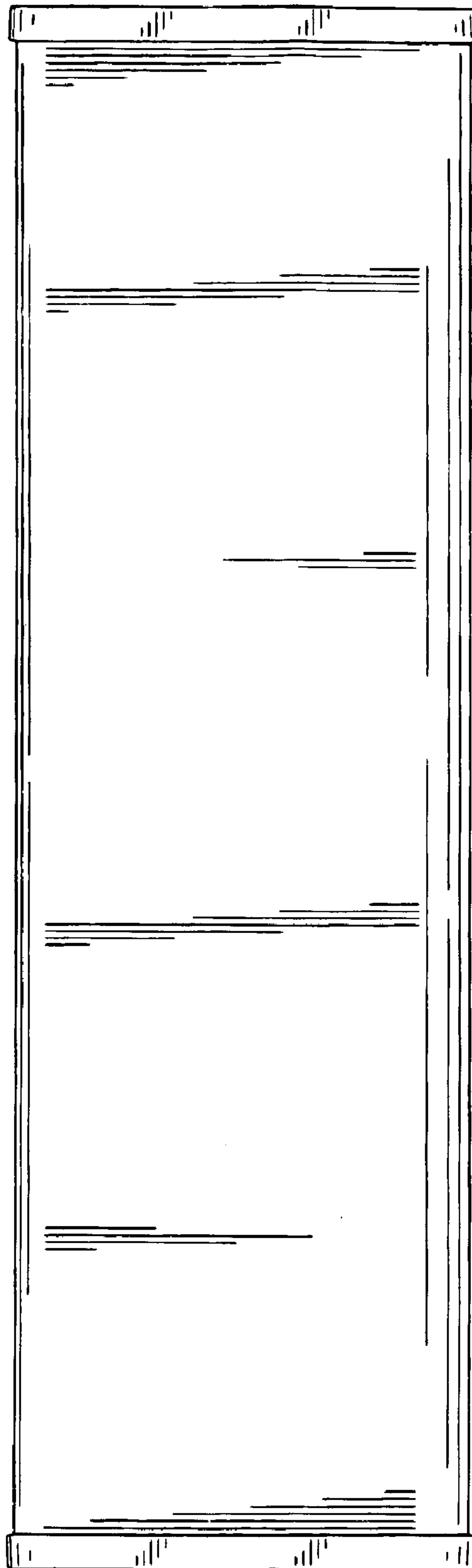


FIG. 4