



US00D512228S

(12) **United States Design Patent**
Ino et al.

(10) **Patent No.:** **US D512,228 S**
(45) **Date of Patent:** **** Dec. 6, 2005**

(54) **MOTORCYCLE BACKREST**

6,347,804 B1 * 2/2002 Seibel 280/288.4

(75) Inventors: **Seiichi Ino**, Kakogawa (JP); **Tsutomu Shimizugami**, Kagogawa (JP)

OTHER PUBLICATIONS

(73) Assignee: **Kawasaki Jukogyo Kabushiki Kaisha**, Hyogo (JP)

2000 Harley-Davidson® Genuine Motor Accessories and Genuine Motor Parts catalog, King Tour-Pak Mount Passenger Armrest Kit on p. 391.*

(**) Term: **14 Years**

* cited by examiner

(21) Appl. No.: **29/200,604**

Primary Examiner—Alan P. Douglas
Assistant Examiner—Linda Brooks

(22) Filed: **Mar. 2, 2004**

(30) **Foreign Application Priority Data**

(57) **CLAIM**

Sep. 8, 2003 (JP) 2003-026079

The ornamental design for a motorcycle backrest, as shown and described.

(51) **LOC (8) Cl.** **06-01**

DESCRIPTION

(52) **U.S. Cl.** **D6/354**

(58) **Field of Search** 280/202, 288.4, 280/304.4, 290, 748, 751, 756; 297/215.12, 353, 411.23–411.26, 411.29, 452.48, 283.3, 195.1, 183.1, 183.7, 183.9, 203, 215.1, 215.11, 243, 219.11; 180/219; D6/354, 502; D12/110, 119, 222, 223

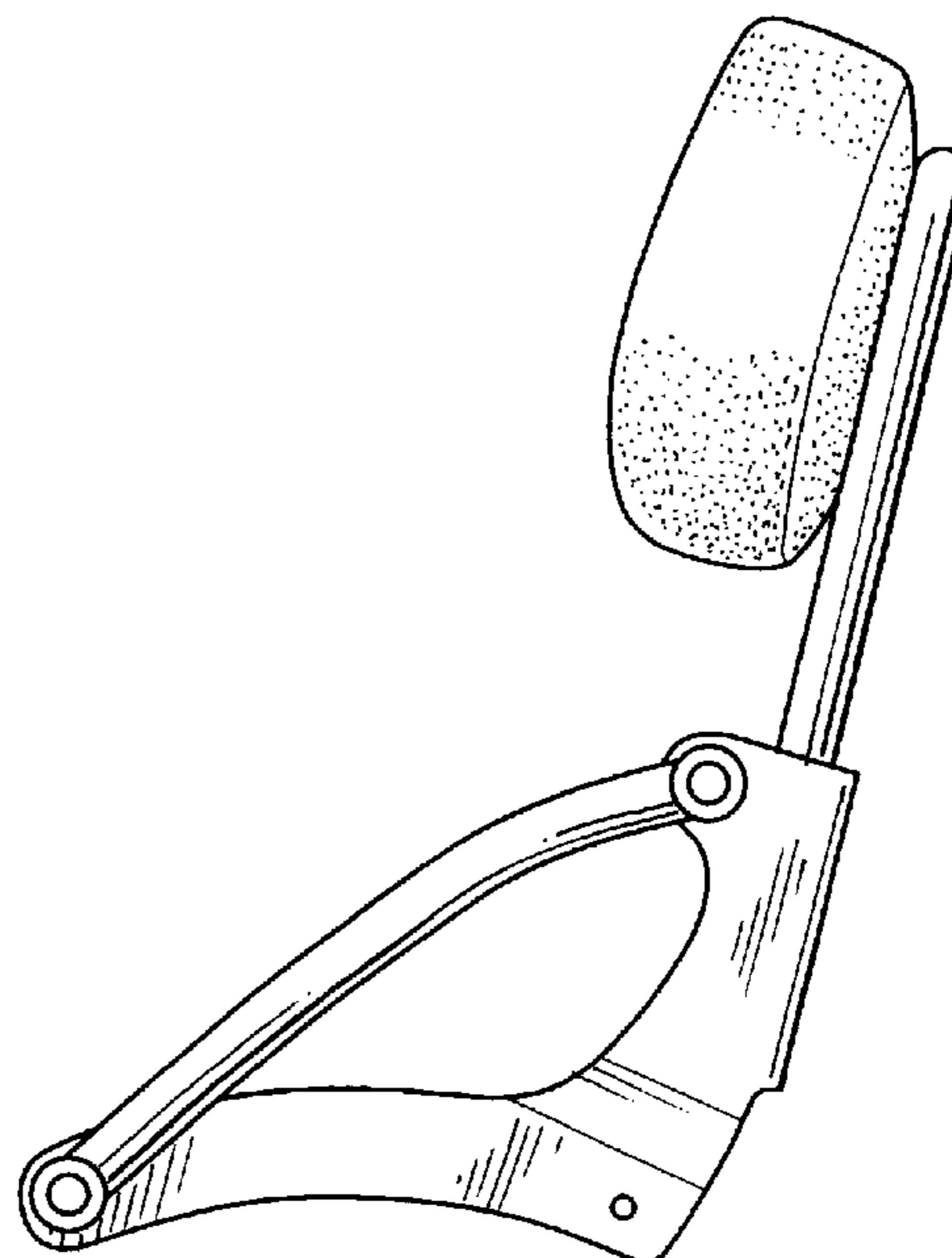
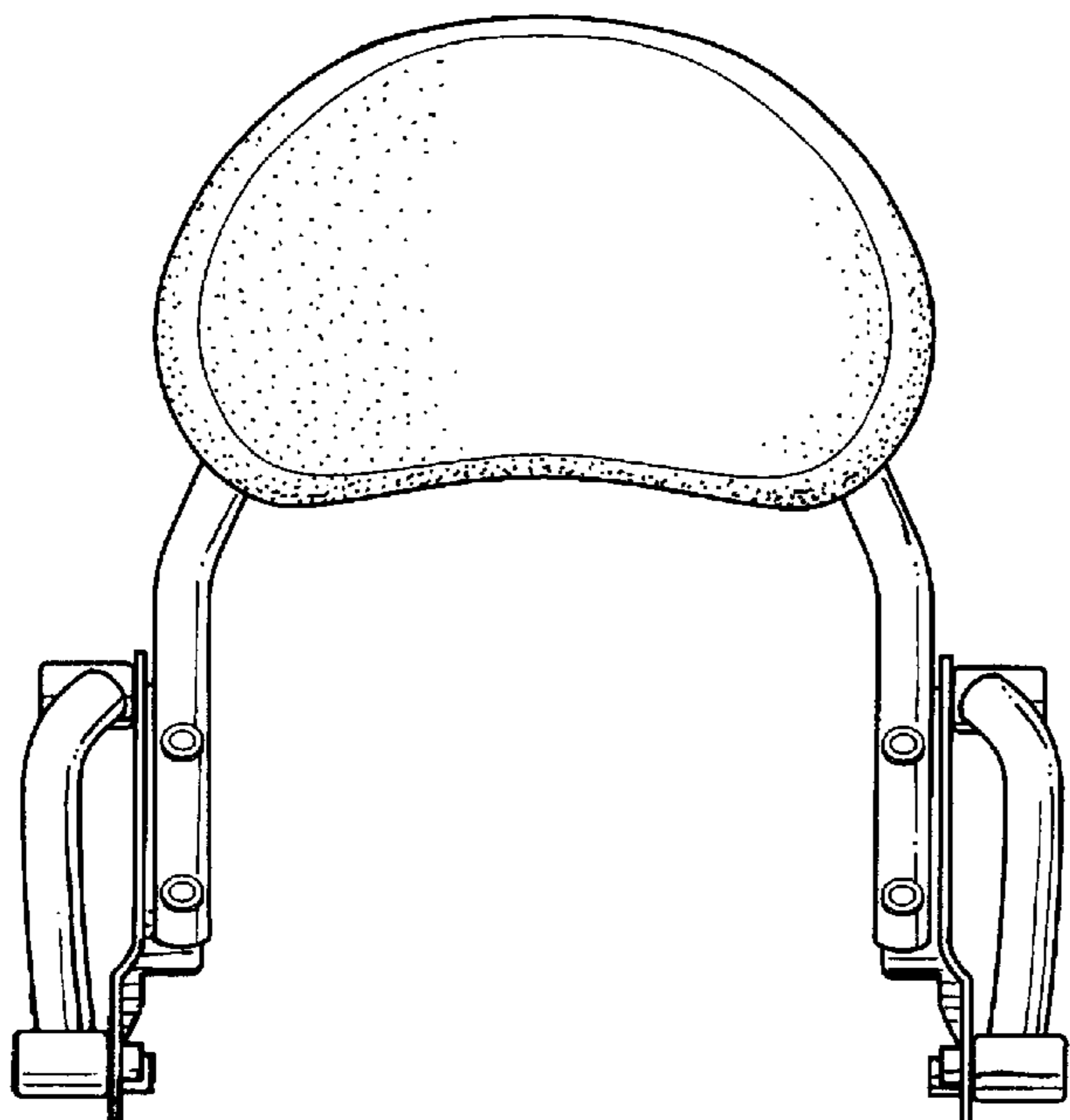
FIG. 1 is a front elevational view of a motorcycle backrest showing our new design;
FIG. 2 is a rear elevational view thereof;
FIG. 3 is a right elevational view thereof;
FIG. 4 is a left elevational view thereof;
FIG. 5 is a top plan view thereof; and,
FIG. 6 is a bottom plan view thereof.

(56) **References Cited**

U.S. PATENT DOCUMENTS

4,111,448 A * 9/1978 Sklodowsky 280/304.4

1 Claim, 3 Drawing Sheets



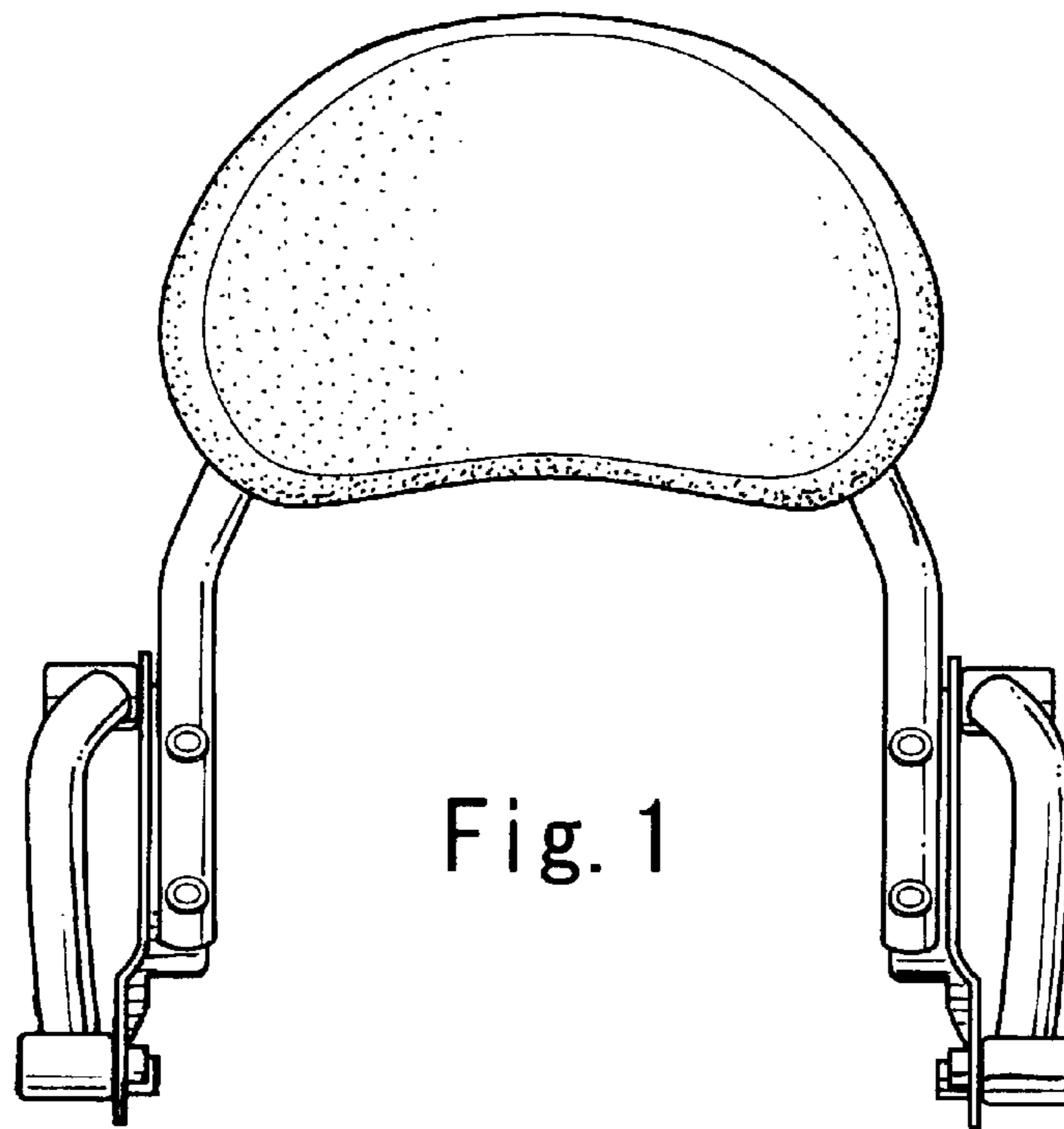


Fig. 1

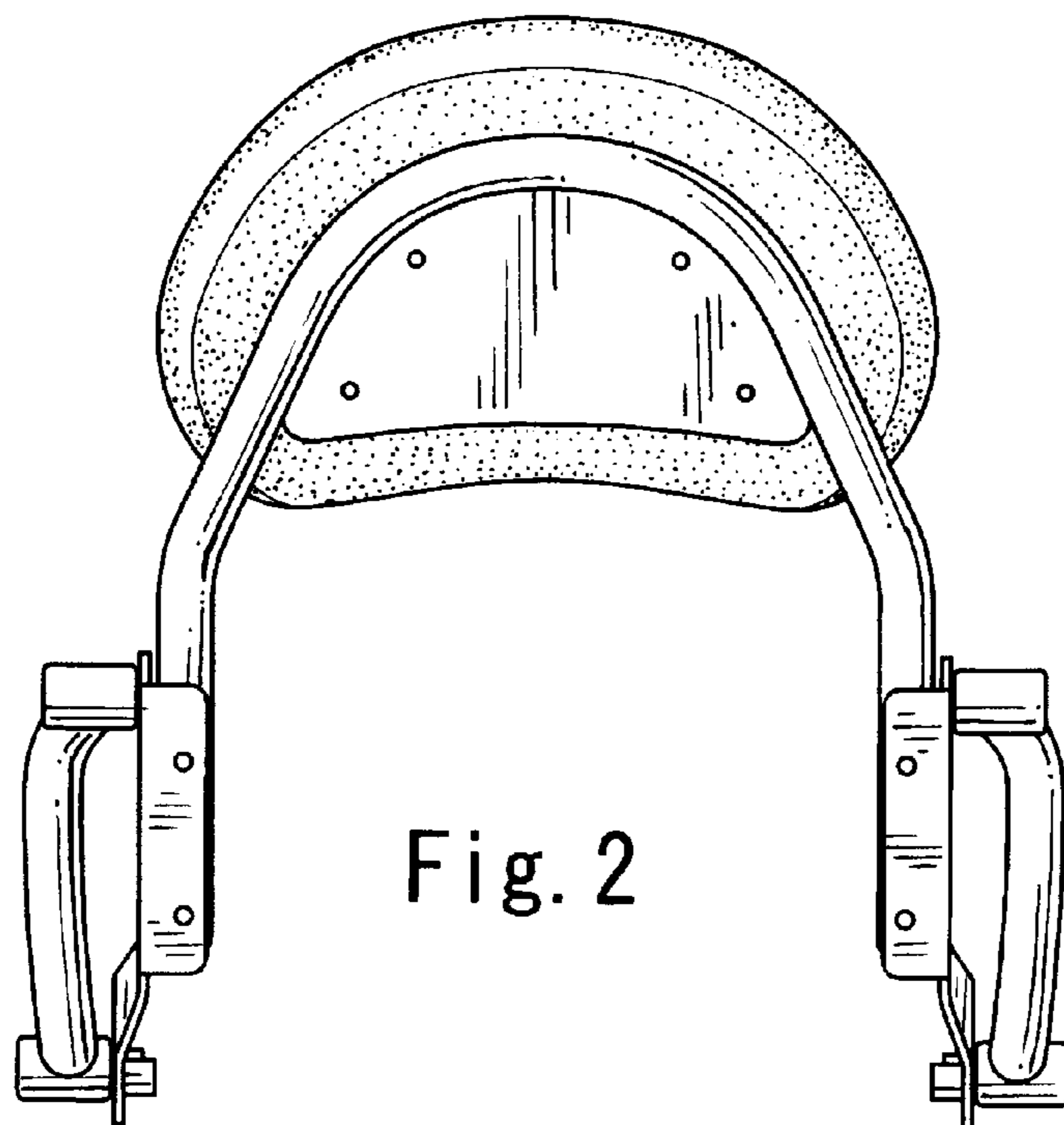


Fig. 2

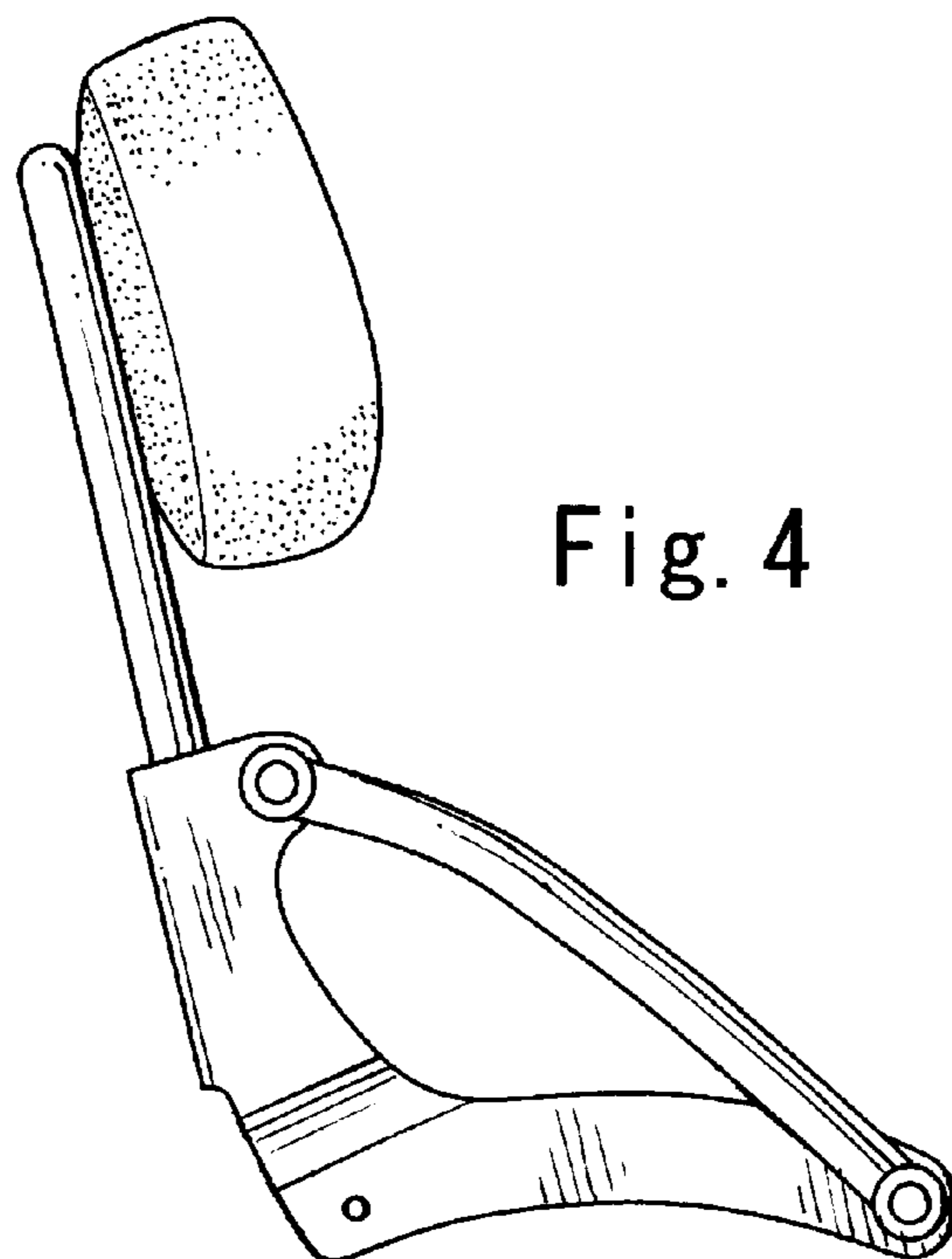
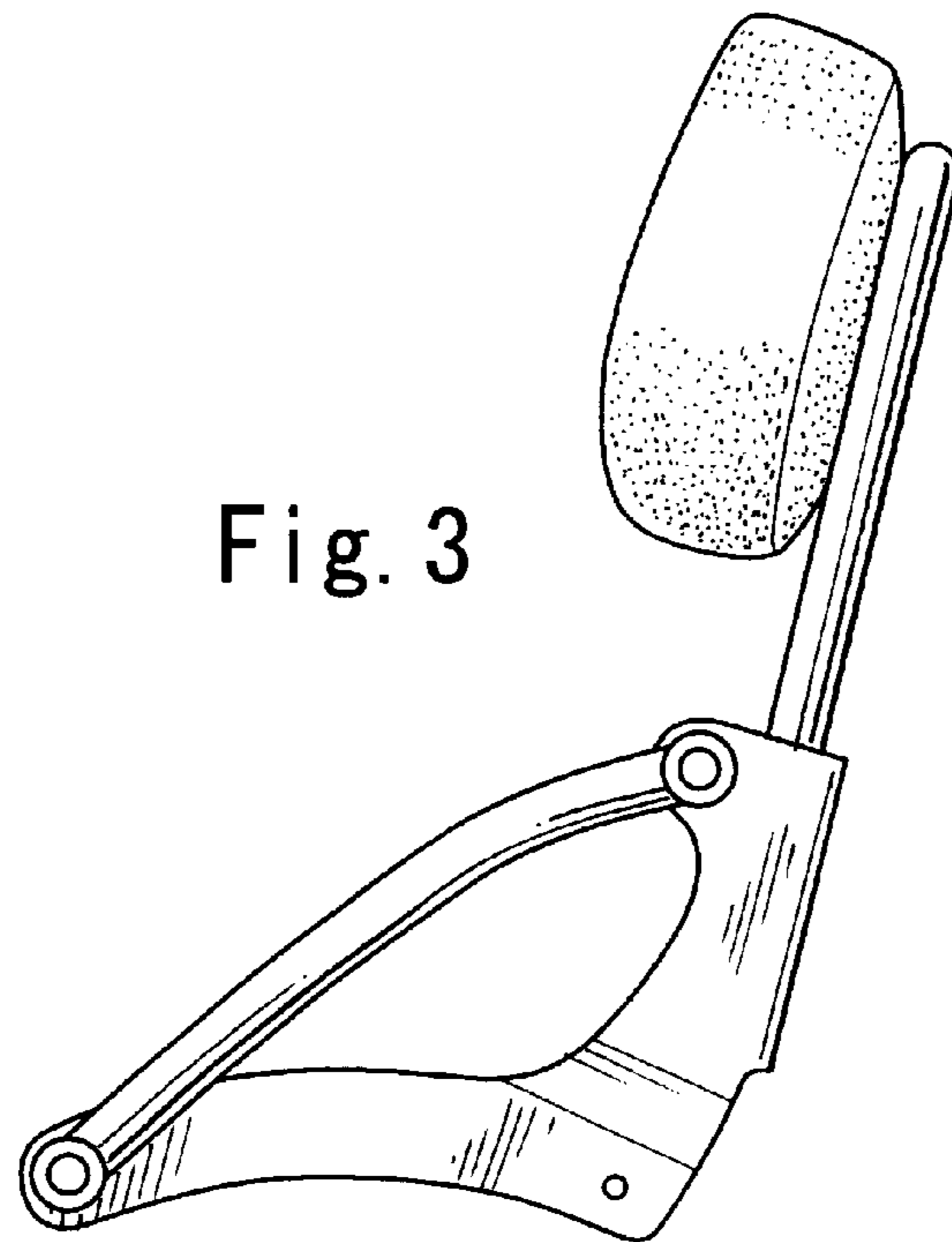


Fig. 5

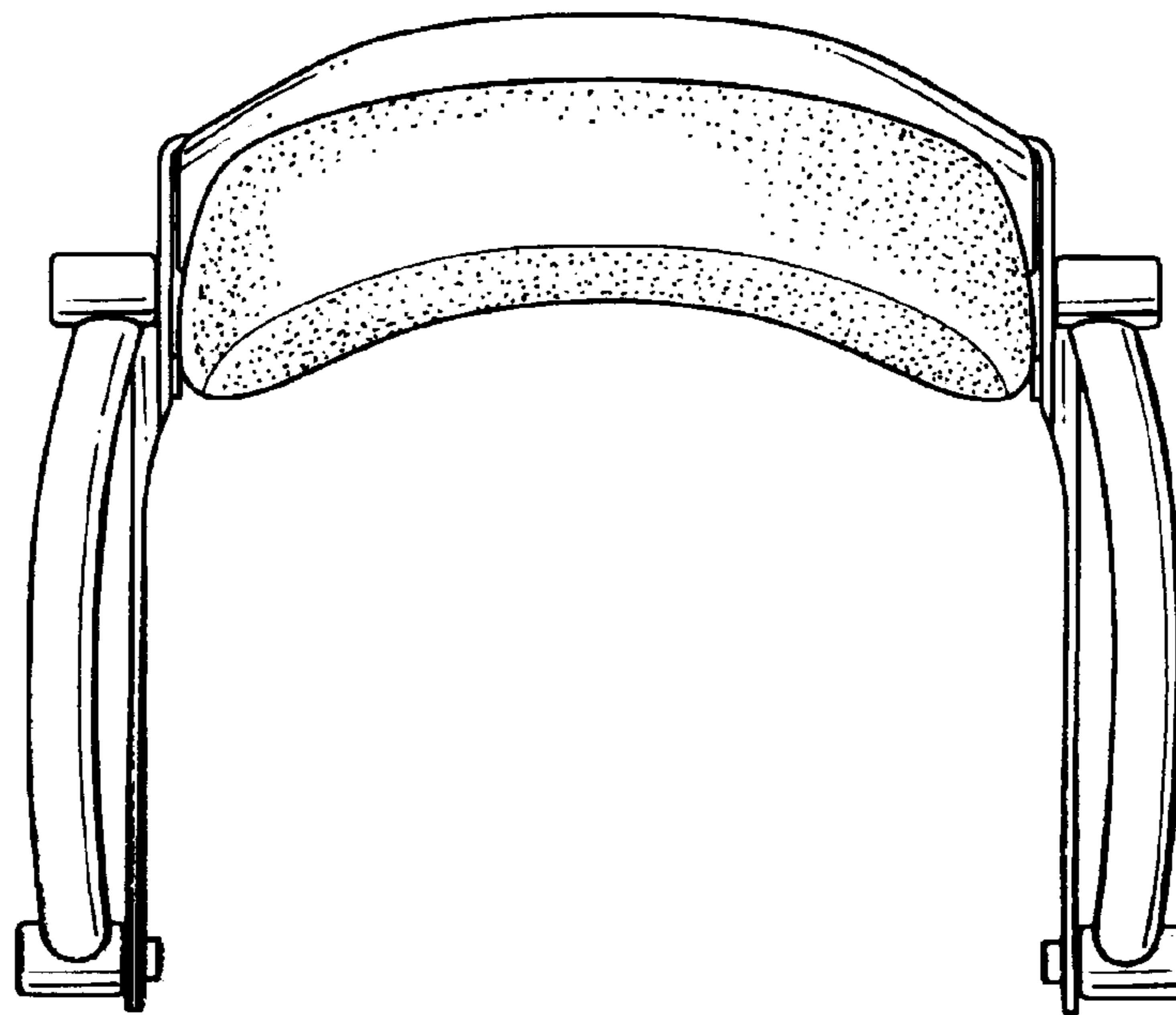


Fig. 6

