



US00D512223S

(12) **United States Design Patent**
Snell

(10) **Patent No.:** **US D512,223 S**
(45) **Date of Patent:** **** Dec. 6, 2005**

(54) **BASKET**

(75) Inventor: **Russell Benton Snell**, Bentleyville, OH (US)

(73) Assignee: **InterDesign, Inc.**, Solon, OH (US)

(**) Term: **14 Years**

(21) Appl. No.: **29/215,791**

(22) Filed: **Oct. 25, 2004**

(51) **LOC (8) Cl.** **03-01**

(52) **U.S. Cl.** **D3/304; D3/306; D3/312**

(58) **Field of Search** **D3/304–315; D6/566, D6/567, 525, 537, 540, 574, 572, 511; 206/202, 513, 557; 211/13.1, 41.3, 41.4, 86.01, 88.01, 134, 126.1, 181.1; 248/302; 220/485, 488**

(56) **References Cited**

U.S. PATENT DOCUMENTS

D296,601 S * 7/1988 Chap D3/306
D477,144 S * 7/2003 Remmers D3/306

OTHER PUBLICATIONS

2002 bath housewares storage, wire baskets, p. 30, Inter-Design, Inc. product brochure, 2002 (with front and back covers).

* cited by examiner

Primary Examiner—Louis S. Zarfaz

Assistant Examiner—John Windmuller

(74) *Attorney, Agent, or Firm*—D. Peter Hochberg; Sean Mellino; Katherine R. Vieyra

(57) **CLAIM**

The ornamental design for a basket, as shown and described.

DESCRIPTION

FIG. 1 is a perspective view of the basket according to the invention;

FIG. 2 is a top view of the basket as shown in FIG. 1;

FIG. 3 is a front view of the basket as shown in FIG. 1;

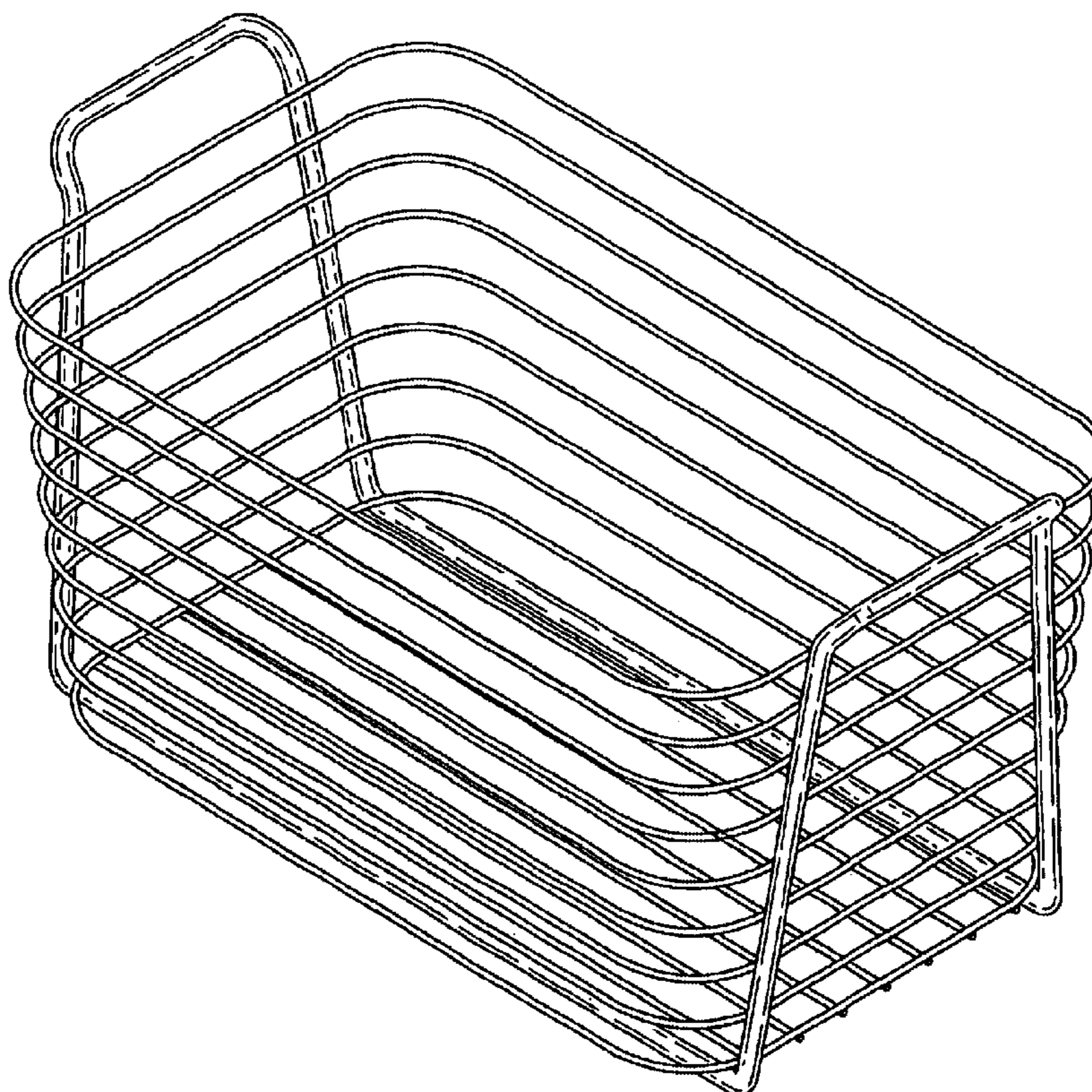
FIG. 4 is a side view of the basket as shown in FIG. 1;

FIG. 5 is a rear view of the basket as shown in FIG. 1;

FIG. 6 is a side view of the basket as shown in FIG. 1, shown from the opposite side as that shown in FIG. 4; and,

FIG. 7 is a bottom view of the basket as shown in FIG. 1.

1 Claim, 3 Drawing Sheets



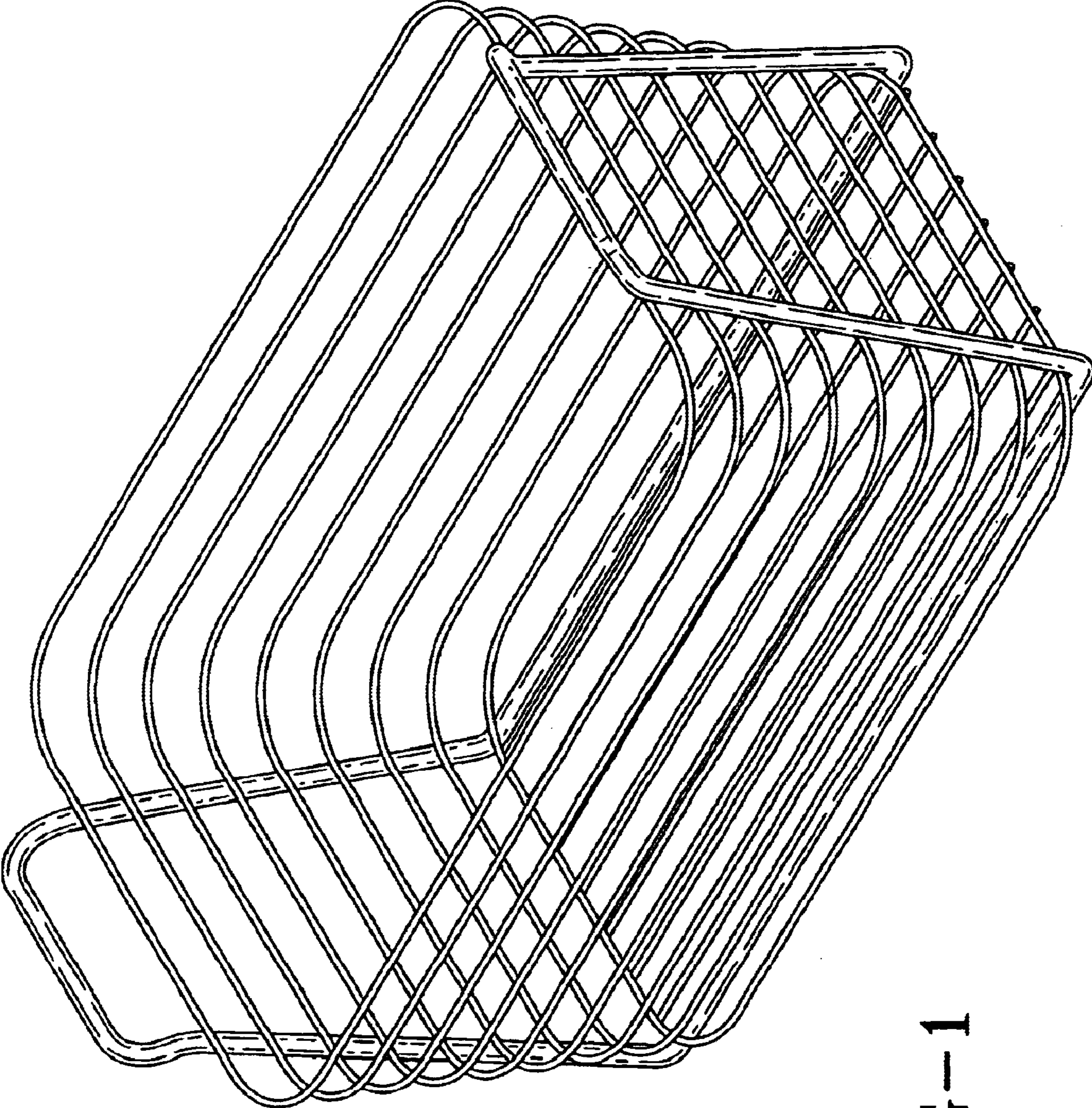


FIG-1

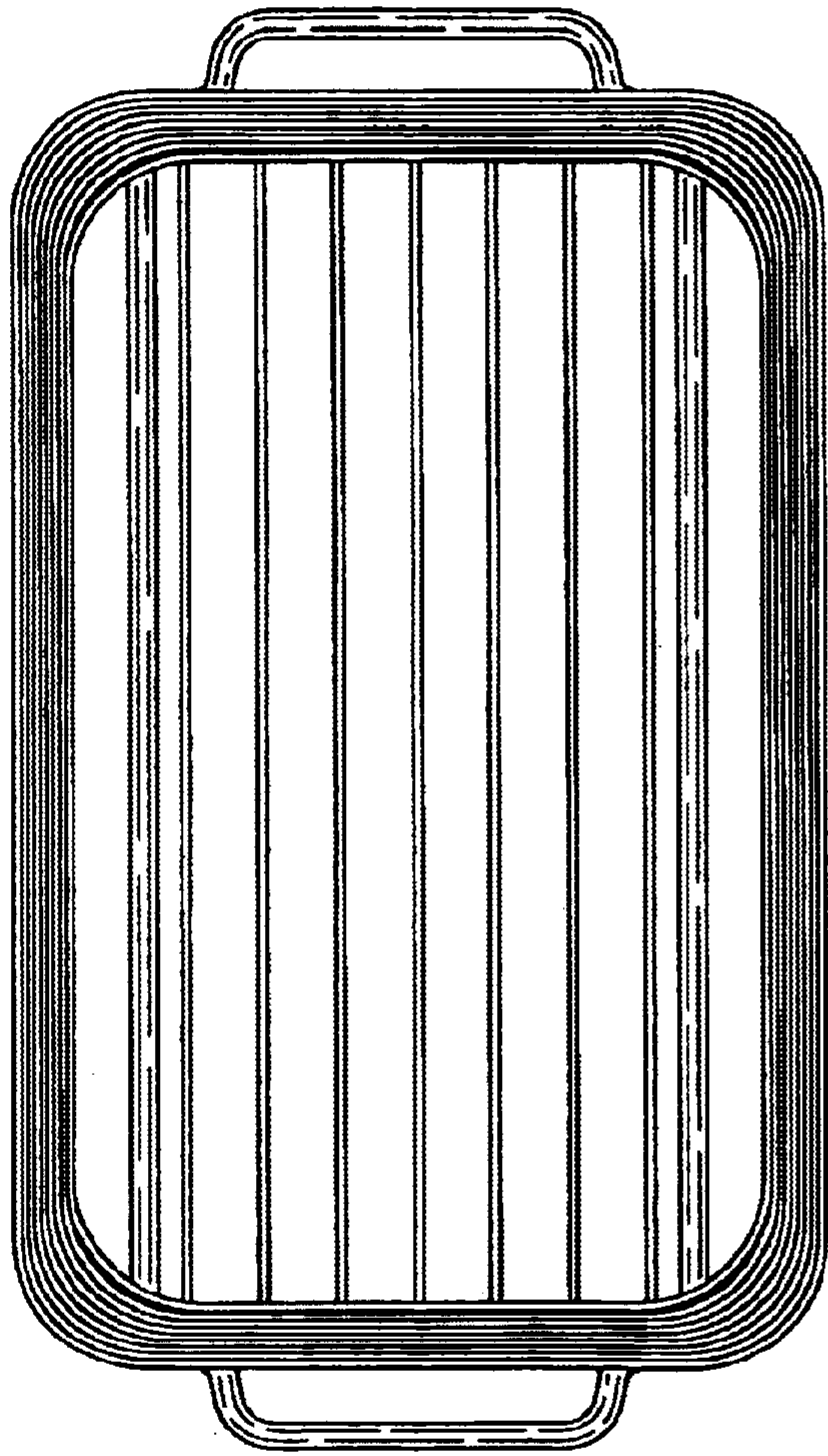


FIG-2

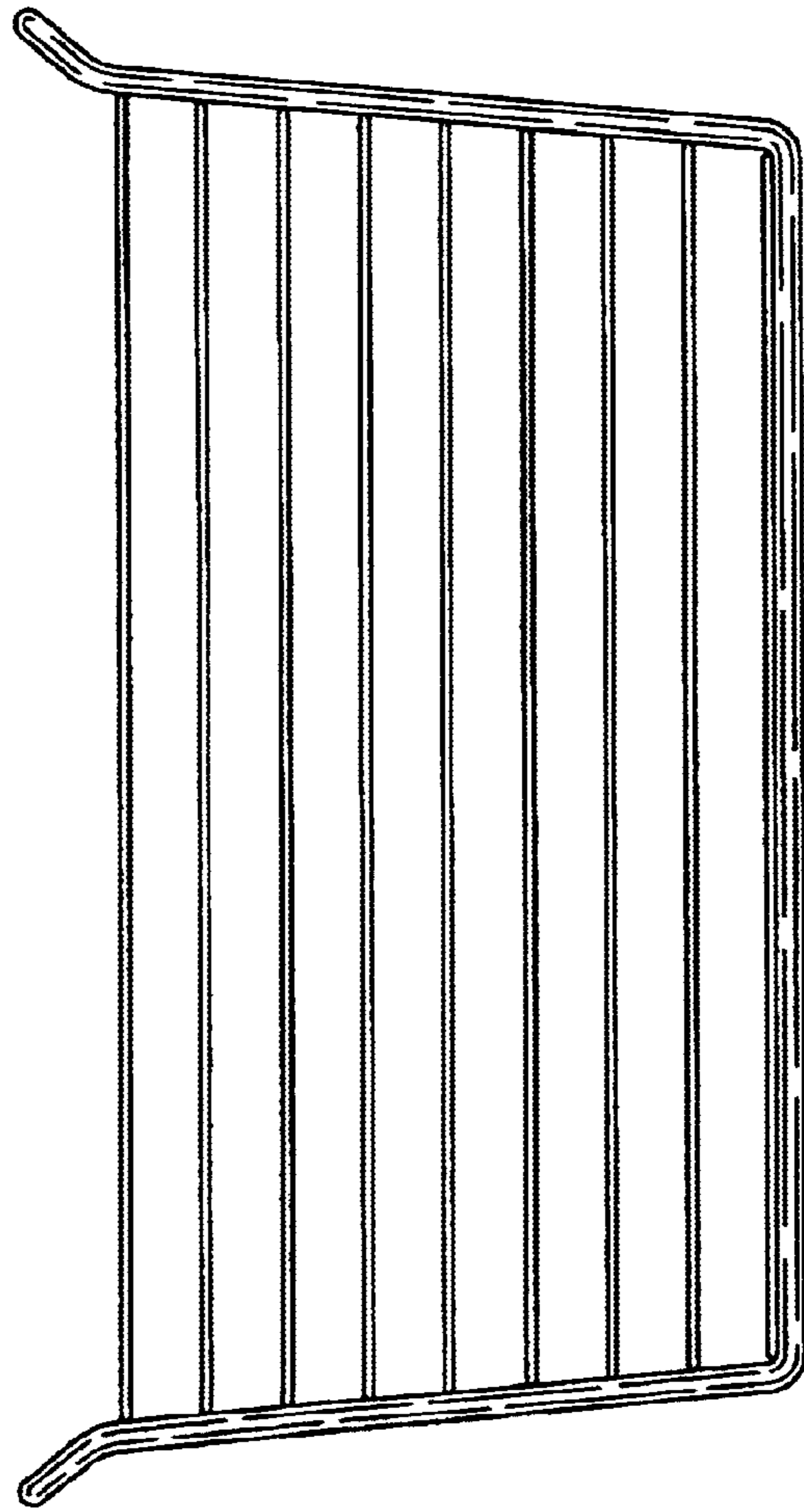


FIG-3

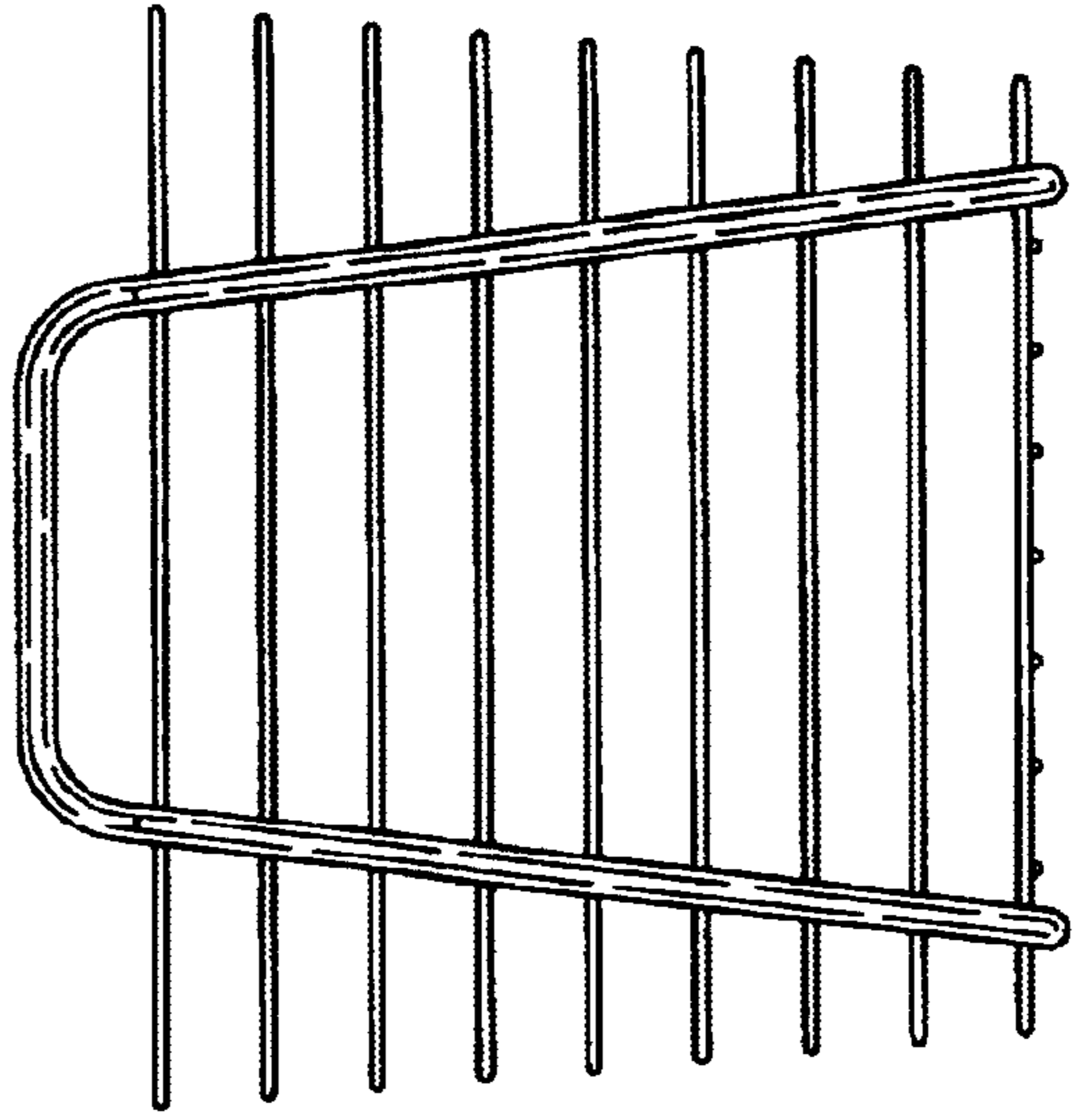


FIG-4

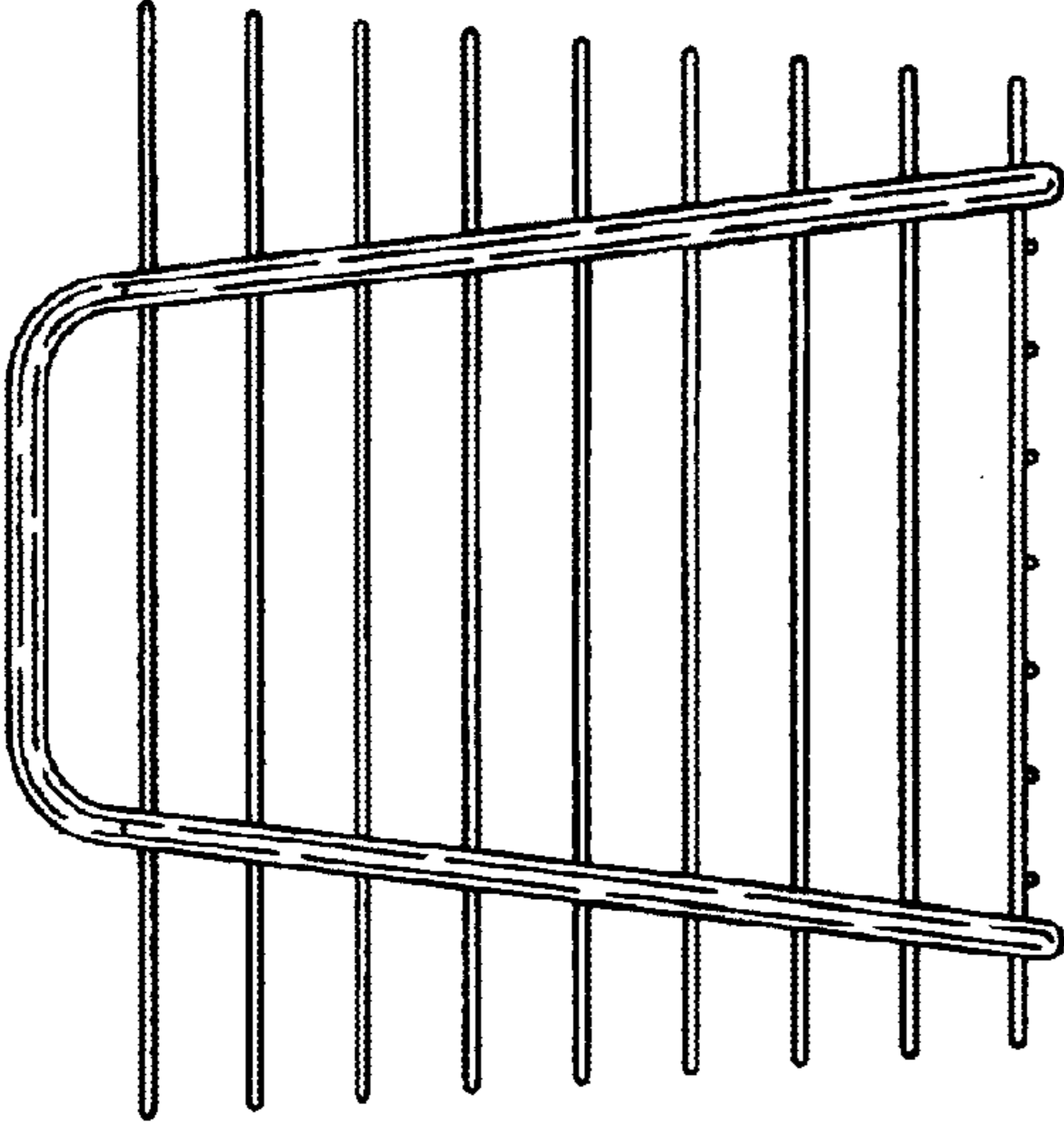


FIG-6

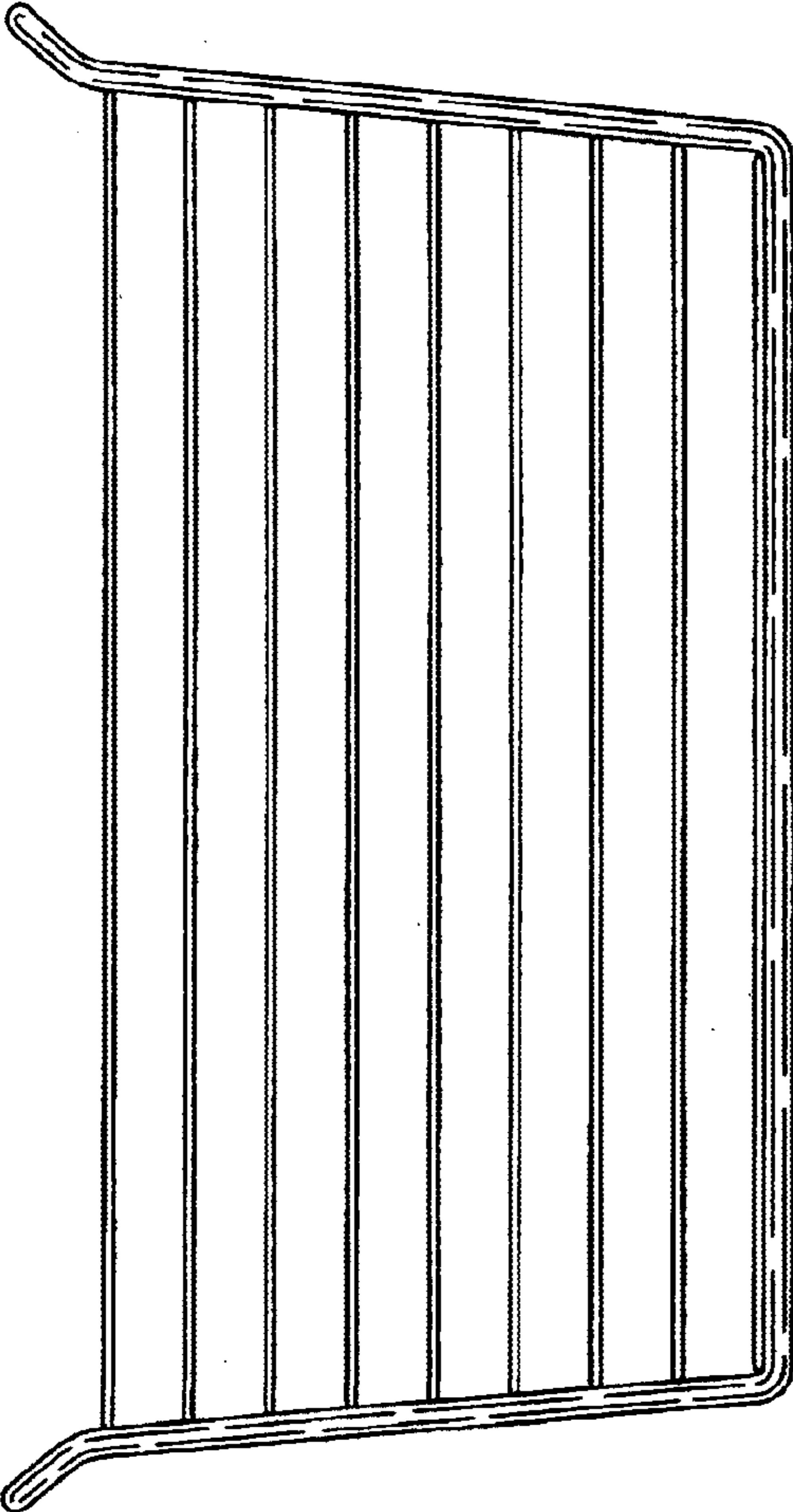


FIG-5

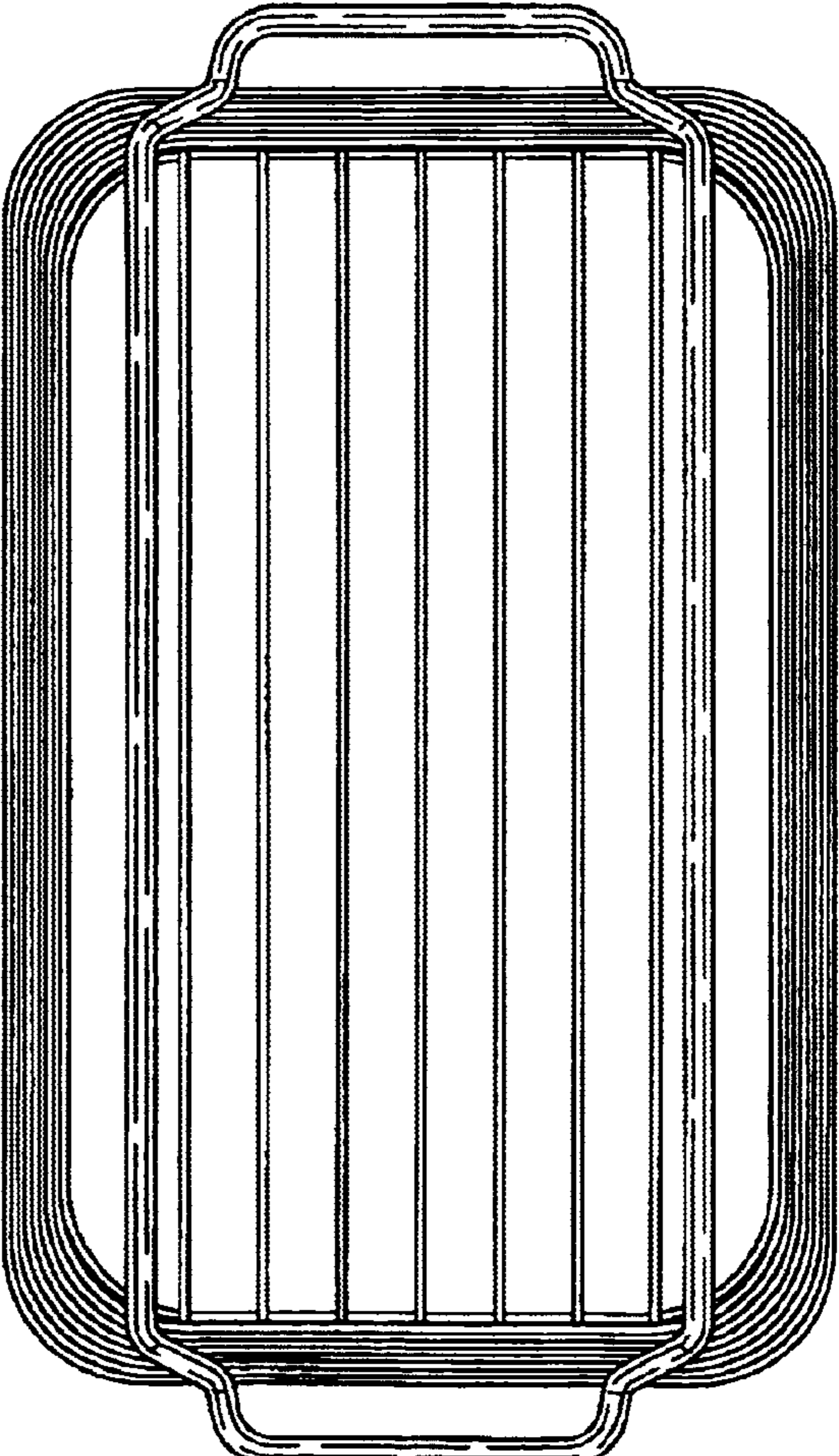


FIG-7