



US00D512221S

(12) **United States Design Patent** (10) **Patent No.:** **US D512,221 S**
Allan et al. (45) **Date of Patent:** **** Dec. 6, 2005**

(54) **TOOL CASE**

(75) Inventors: **Scott W. Allan**, Kitchener (CA);
Satnam Singh, Waterloo (CA);
Antonio Jose Barrios, Waterloo (CA)

(73) Assignee: **Maxtech Manufacturing Inc.**,
Waterloo (CA)

(**) Term: **14 Years**

(21) Appl. No.: **29/206,143**

(22) Filed: **May 27, 2004**

Related U.S. Application Data

(62) Division of application No. 29/182,532, filed on May 29, 2003.

(51) **LOC (8) Cl.** **03-01**

(52) **U.S. Cl.** **D3/282; D3/294; D3/905**

(58) **Field of Search** **D3/273, 274, 281,**
D3/282, 283, 294, 295, 905; 206/349, 373,
379; 312/902

(56) **References Cited**

U.S. PATENT DOCUMENTS

D188,583 S	8/1960	Moss
3,426,890 A	2/1969	Bayer
D222,012 S	9/1971	Harris
4,449,629 A	5/1984	Barrieau

(Continued)

FOREIGN PATENT DOCUMENTS

FR 02 0987 10/2002

Primary Examiner—Philip S. Hyder

(74) *Attorney, Agent, or Firm*—R. Craig Armstrong;
Borden Ladner Gervais LLP

(57) **CLAIM**

We claim the ornamental design for tool case, as shown.

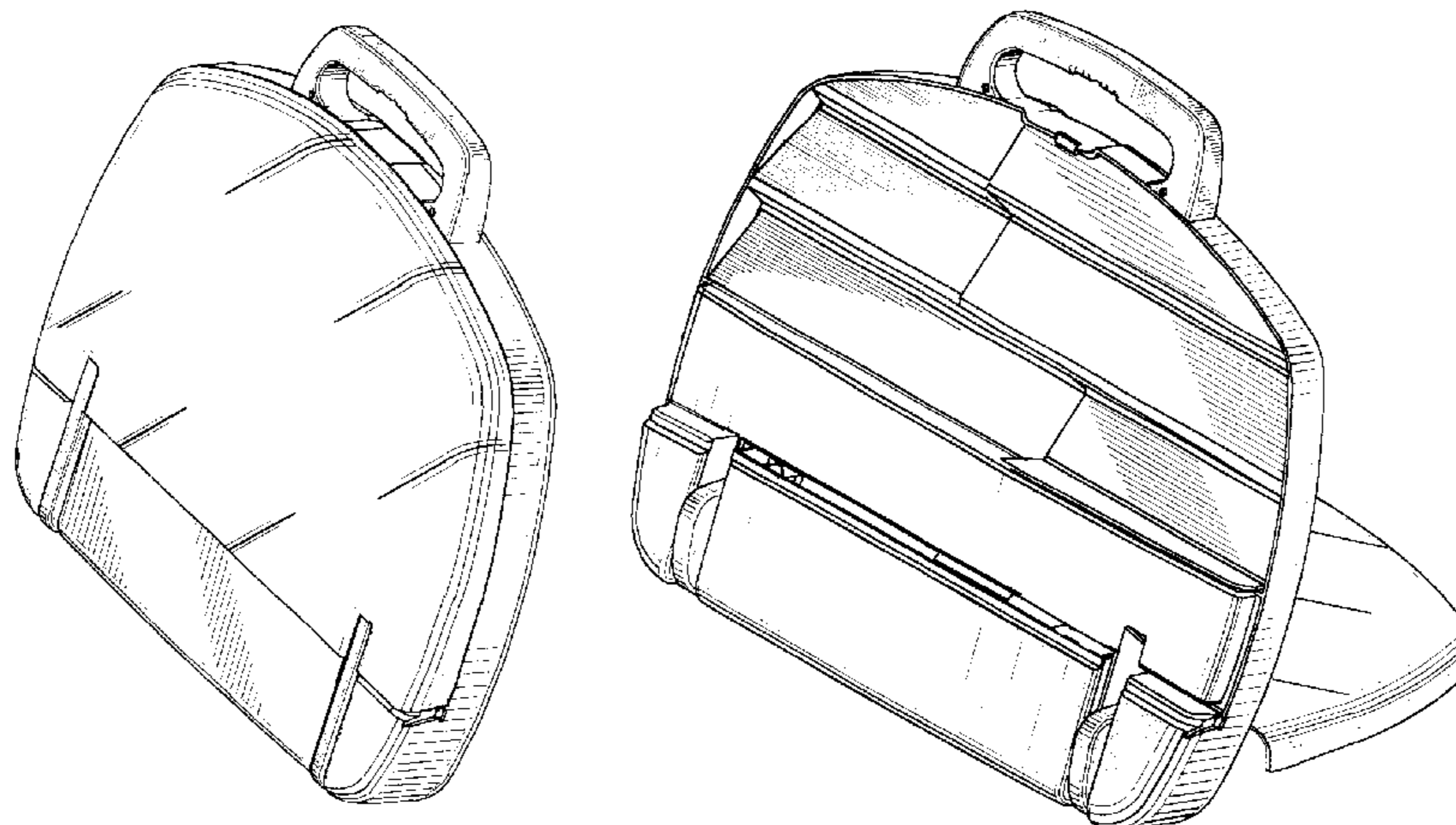
DESCRIPTION

FIG. 1 is a perspective view of the front of the tool case;
FIG. 2 is a perspective view of the rear of the tool case;

FIG. 3 is a top view of the tool case;
 FIG. 4 is a front elevation view of the tool case;
 FIG. 5 is a right hand side view of the tool case;
 FIG. 6 is a rear elevation view of the tool case
 FIG. 7 is a left hand side view of the tool case;
 FIG. 8 is a bottom view of the tool case;
 FIG. 9 is a perspective partial cut-away view of the front of the tool case, with the case open;
 FIG. 10 is a perspective view of the rear of the tool case, with the case open;
 FIG. 11 is a left hand side view of the tool case, with the case open;
 FIG. 12 is a front cut-away view of the tool case, with the case open;
 FIG. 13 is a right hand side view of the tool case, with the case open;
 FIG. 14 is a rear view of the tool case, with the case open;
 FIG. 15 is a top perspective plan view of the tool case, with the case open;
 FIG. 16 is a bottom plan view of the tool case, with the case open;
 FIG. 17 is a perspective view of the front of the second variant, with the case open;
 FIG. 18 is a perspective view of the rear of the second variant, with the case open;
 FIG. 19 is a left hand side view of the second variant, with the case open;
 FIG. 20 is a front view of the second variant, with the case open;
 FIG. 21 is a right hand side view of the second variant, with the case open;
 FIG. 22 is a rear view of the second variant, with the case open;
 FIG. 23 is a top perspective plan view of the second variant, with the case open; and,
 FIG. 24 is a bottom plan view of the second variant, with the case open.

The design consists of the visual features of the entirety of the tool case as shown in the drawings.
 The views of the second variant in the closed position correspond to FIGS. 1 through 8.

1 Claim, 11 Drawing Sheets



US D512,221 S

Page 2

U.S. PATENT DOCUMENTS

D293,740 S	1/1988	Nadeau		D400,010 S	10/1998	Vasudeva	
D315,057 S	3/1991	Bridges		5,893,457 A	4/1999	Wei	
5,114,007 A	5/1992	Chen		D434,561 S	12/2000	Vasudeva	
D331,662 S	12/1992	Melk		6,283,291 B1	9/2001	Vasudeva	
5,203,469 A	4/1993	Chang		D459,885 S	7/2002	Hart	
D343,731 S	* 2/1994	Tsumita D3/282	D462,520 S	* 9/2002	Snider D3/282
D382,115 S	* 8/1997	Chang D3/282	D478,725 S	* 8/2003	Vasudeva et al. D3/282
D399,652 S	10/1998	Fang					

* cited by examiner

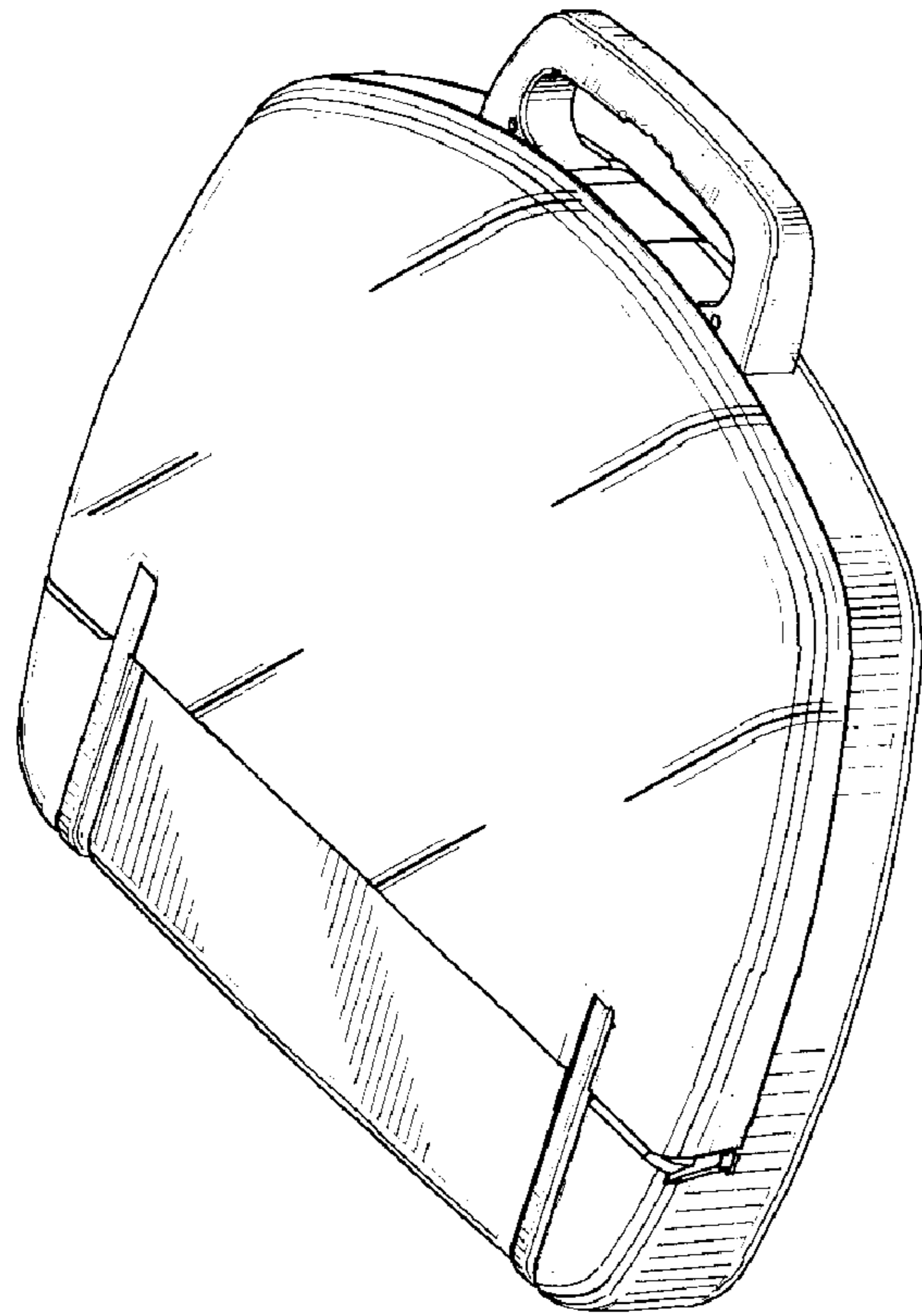


FIG.1

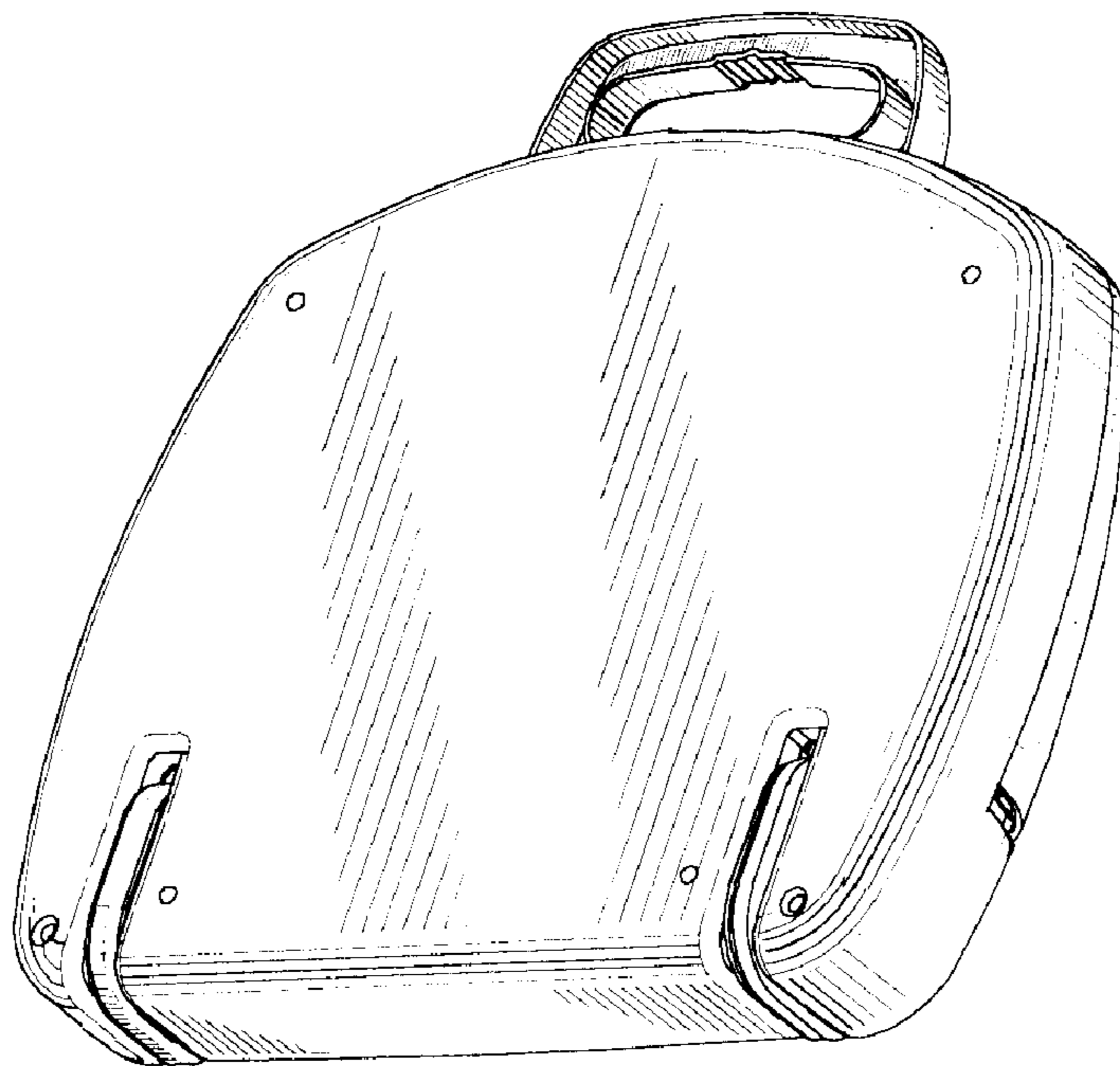


FIG.2

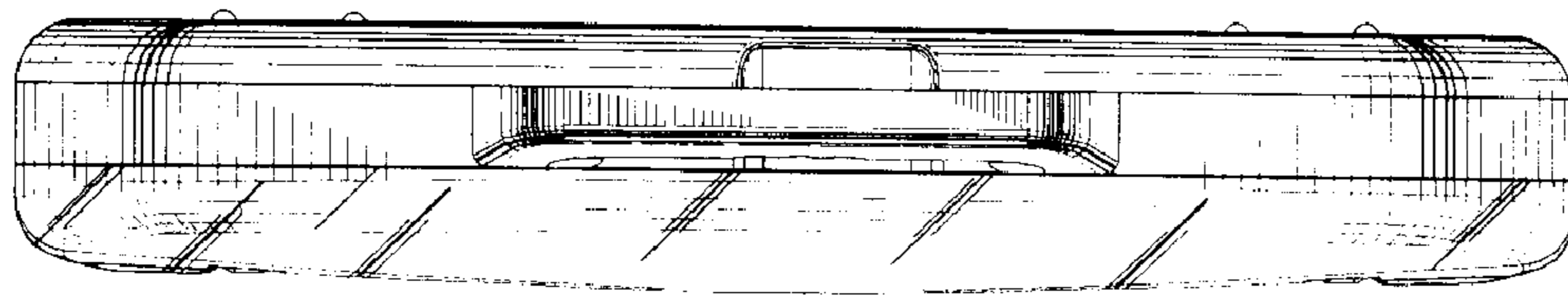


FIG.3

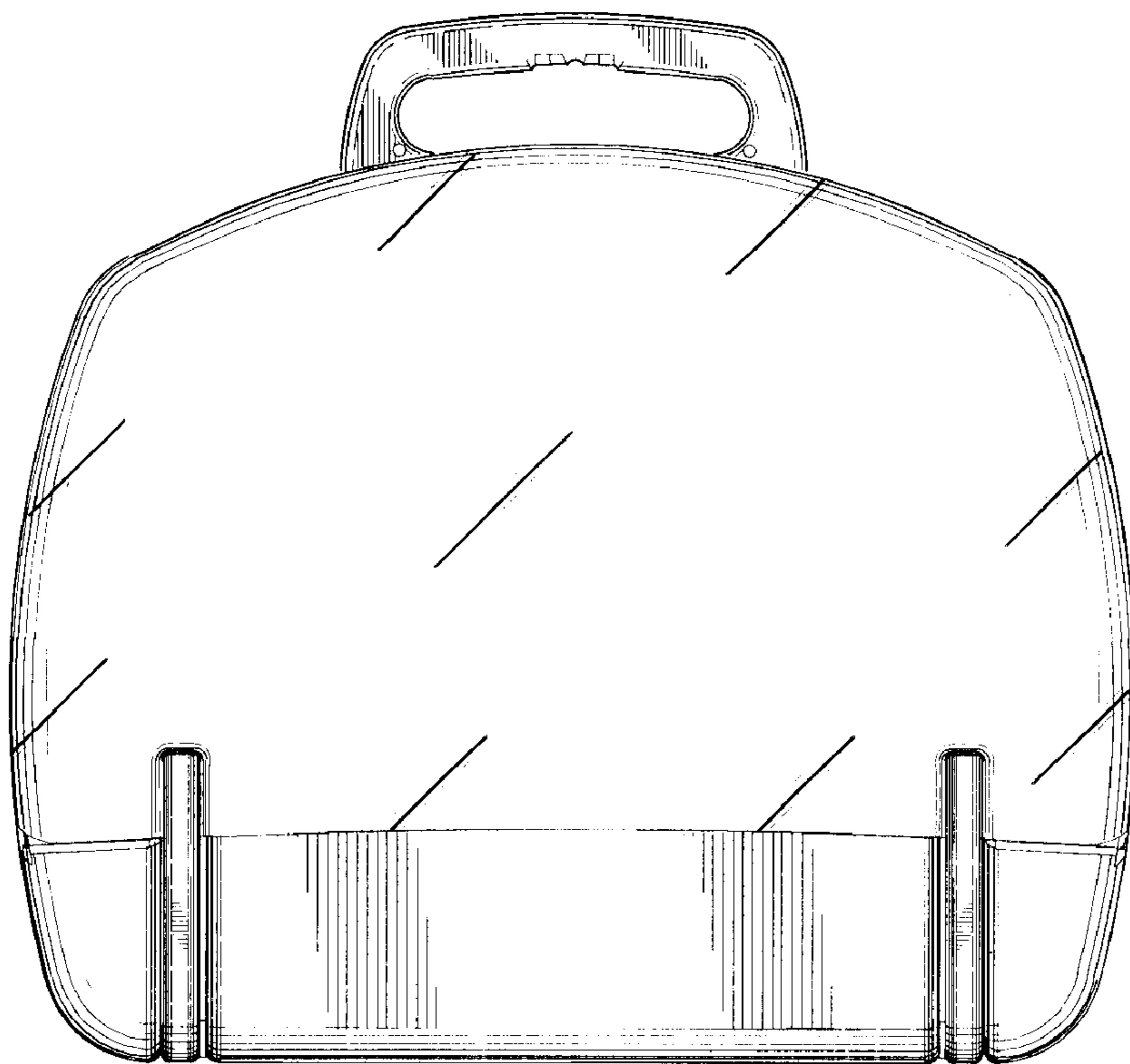


FIG.4

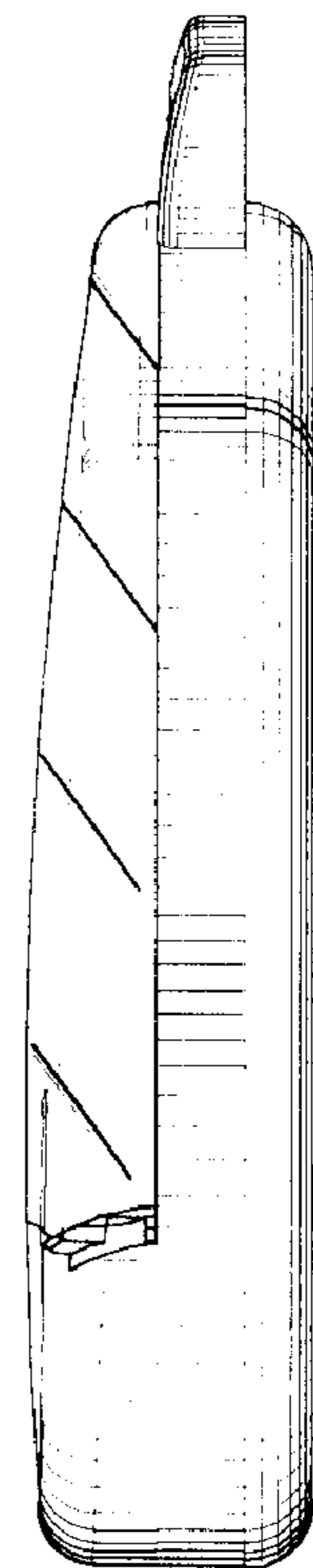


FIG.5



FIG. 6

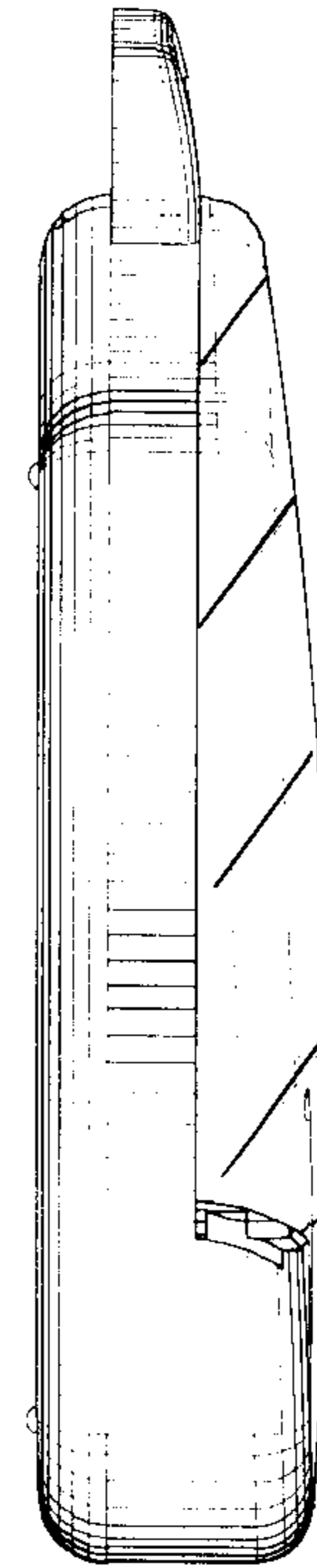


FIG. 7

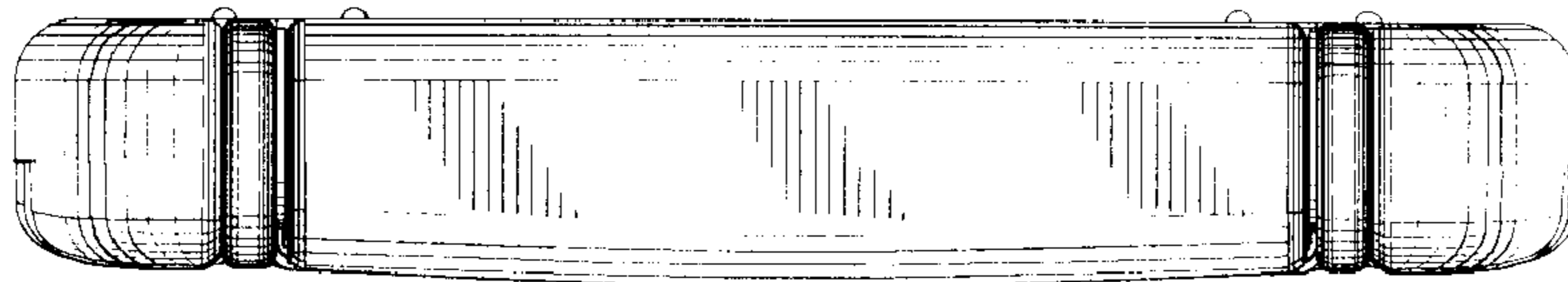


FIG. 8

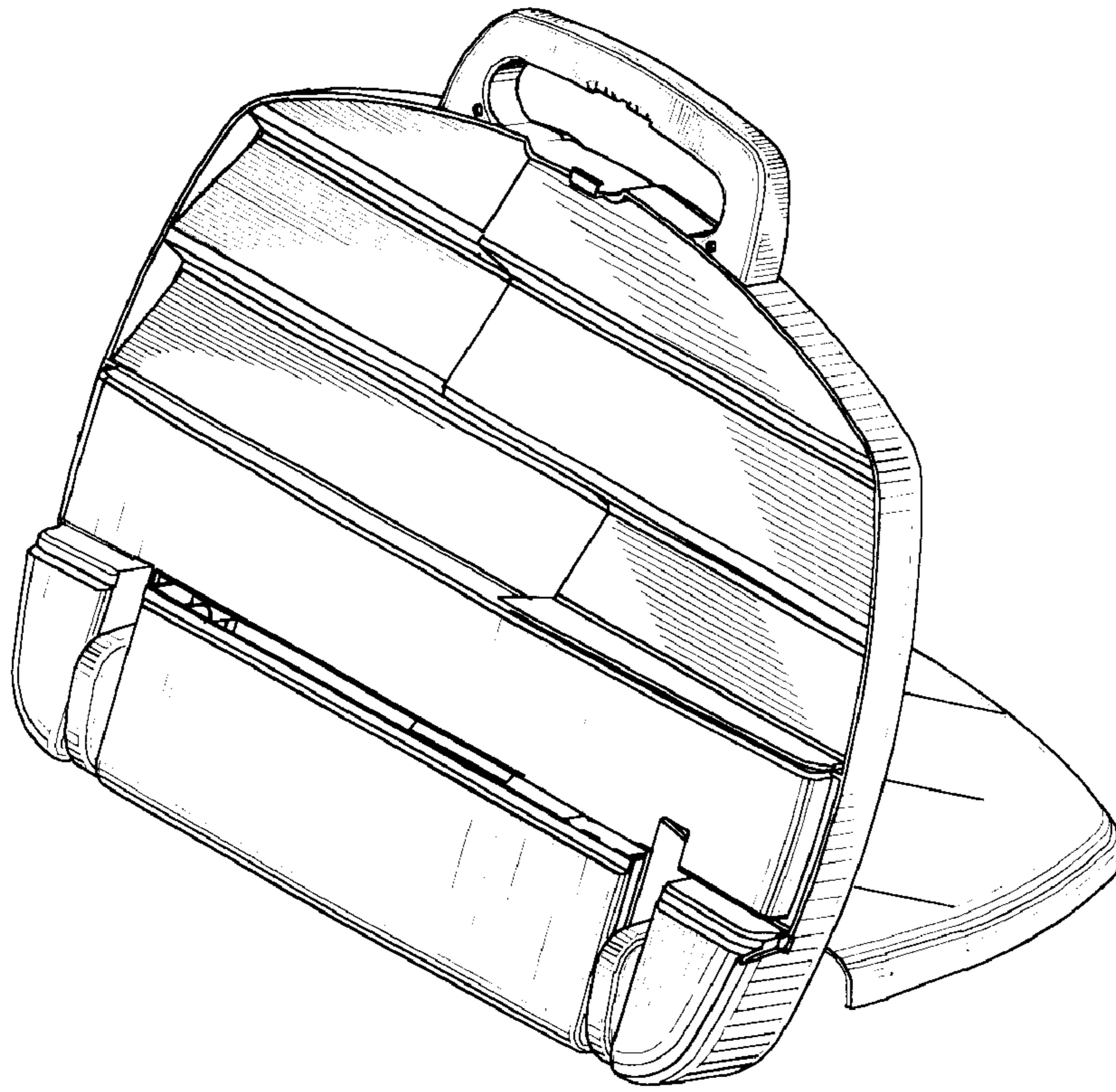


FIG. 9

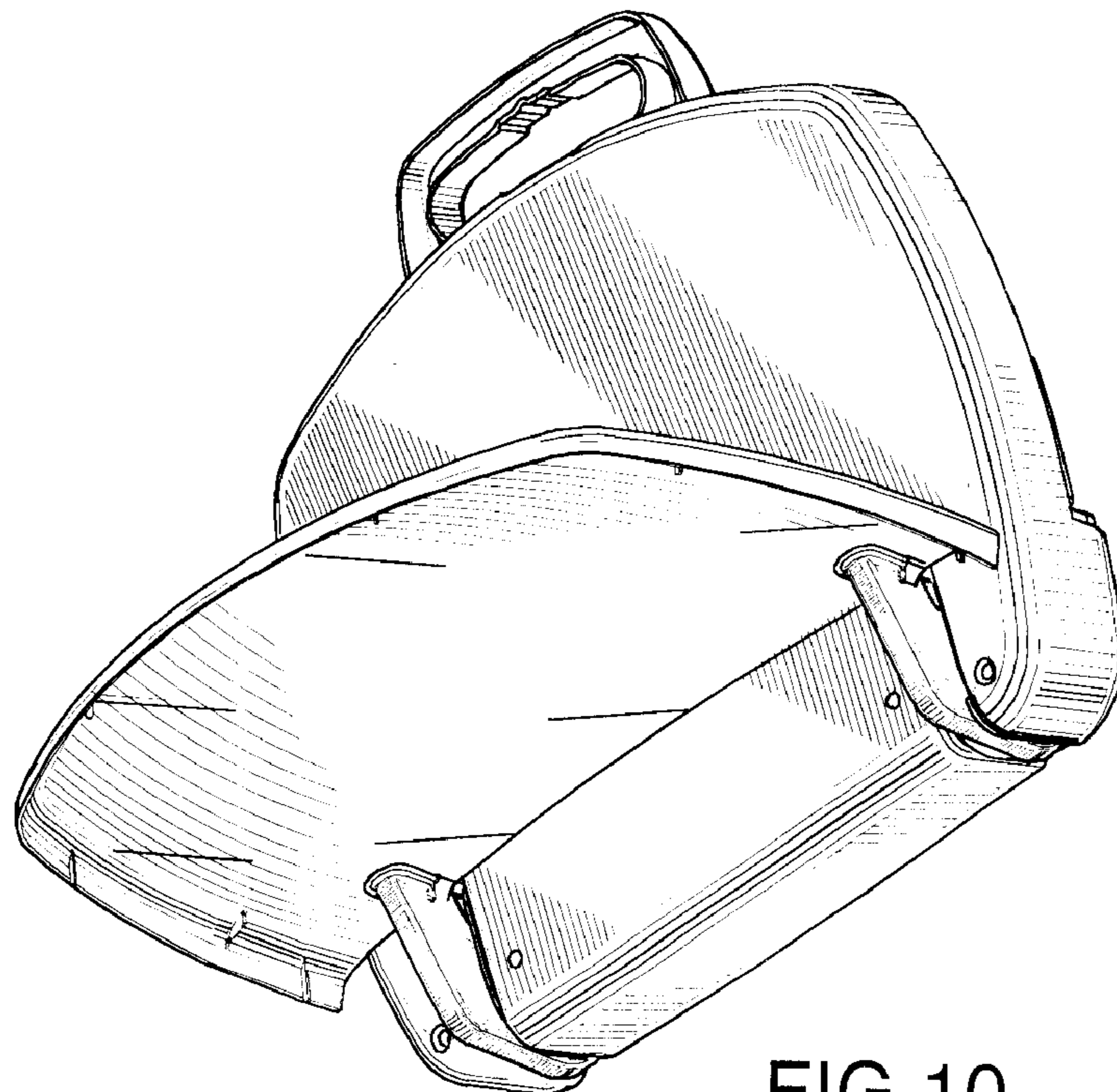


FIG. 10

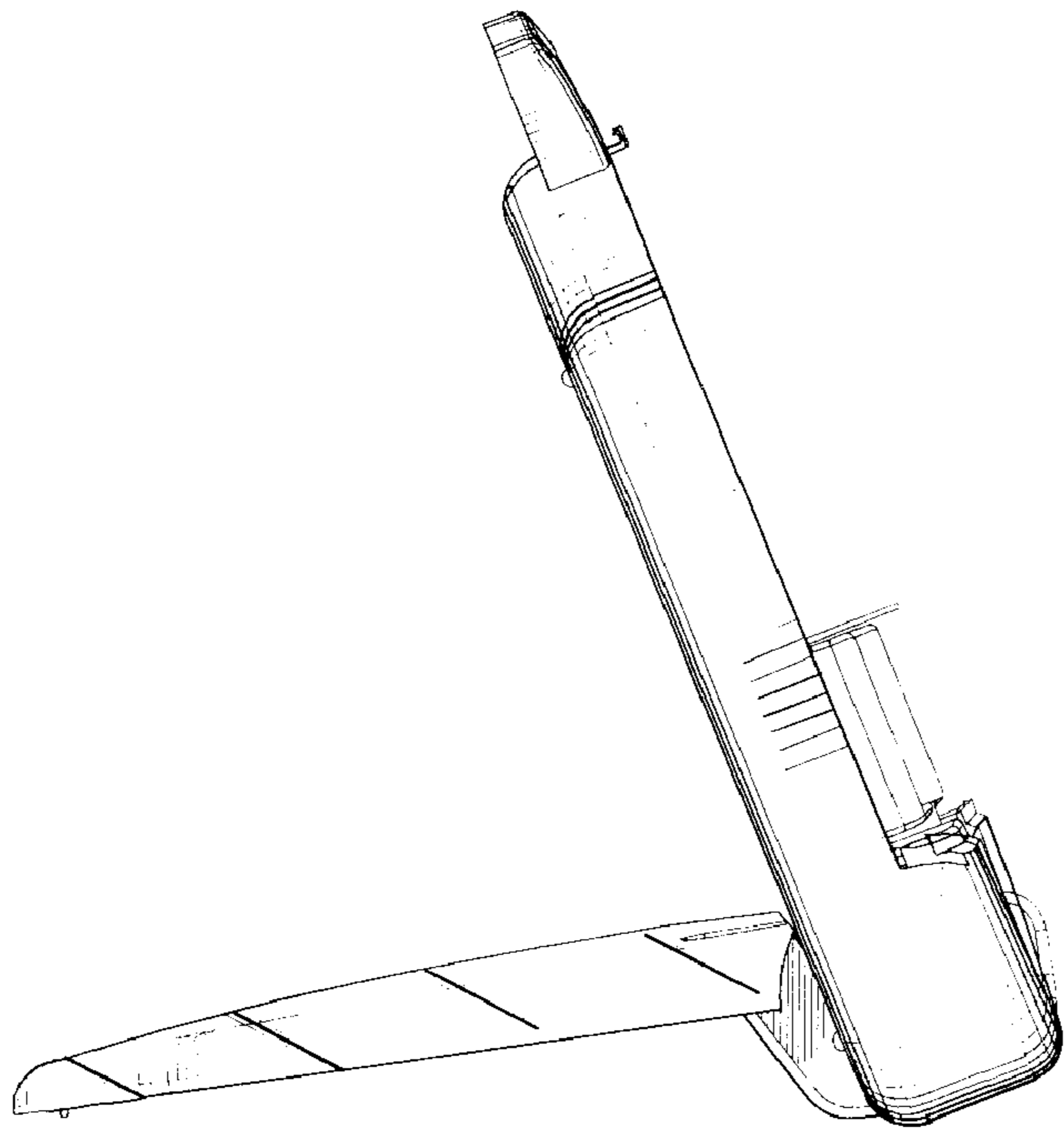


FIG. 11

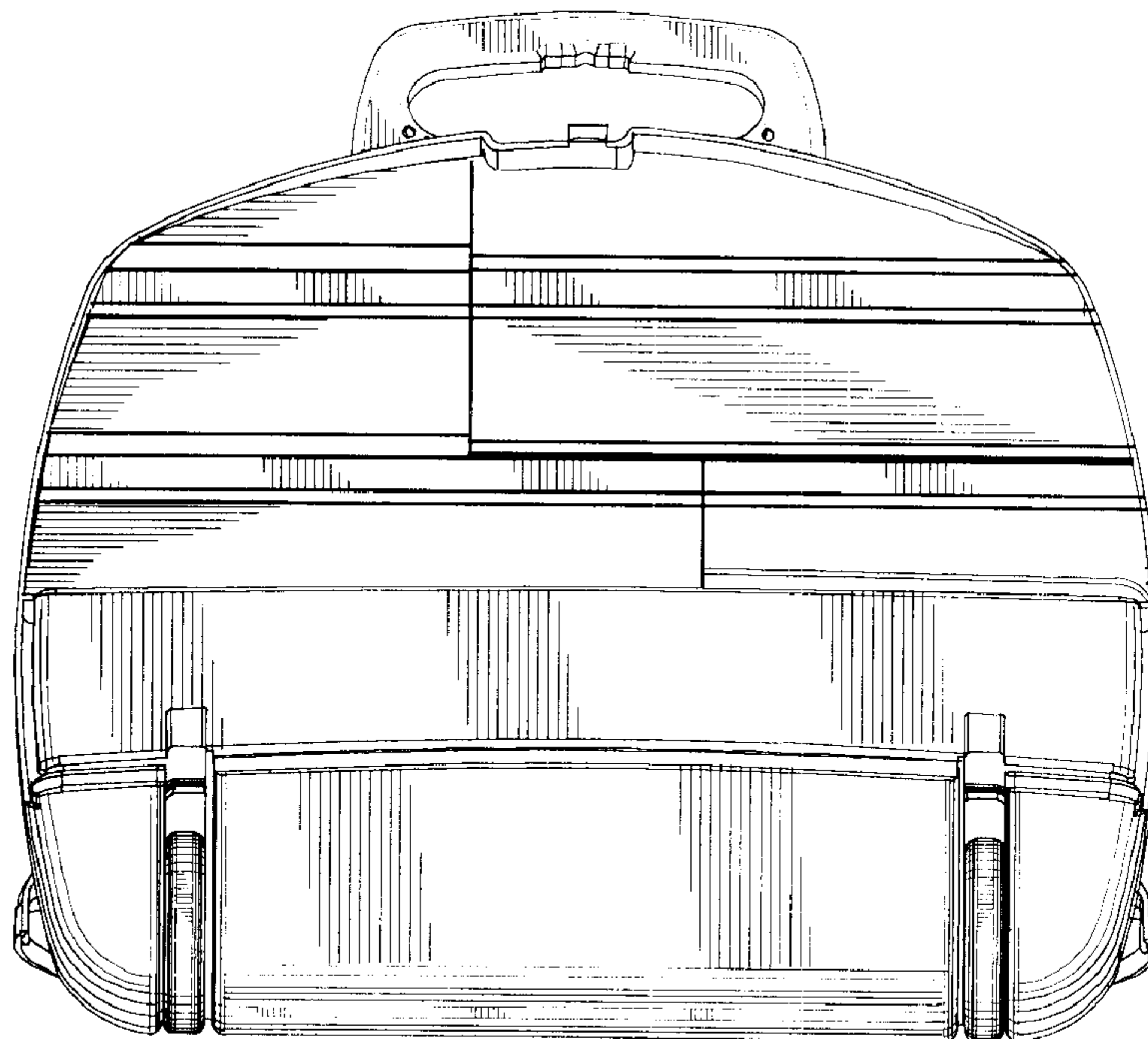


FIG. 12

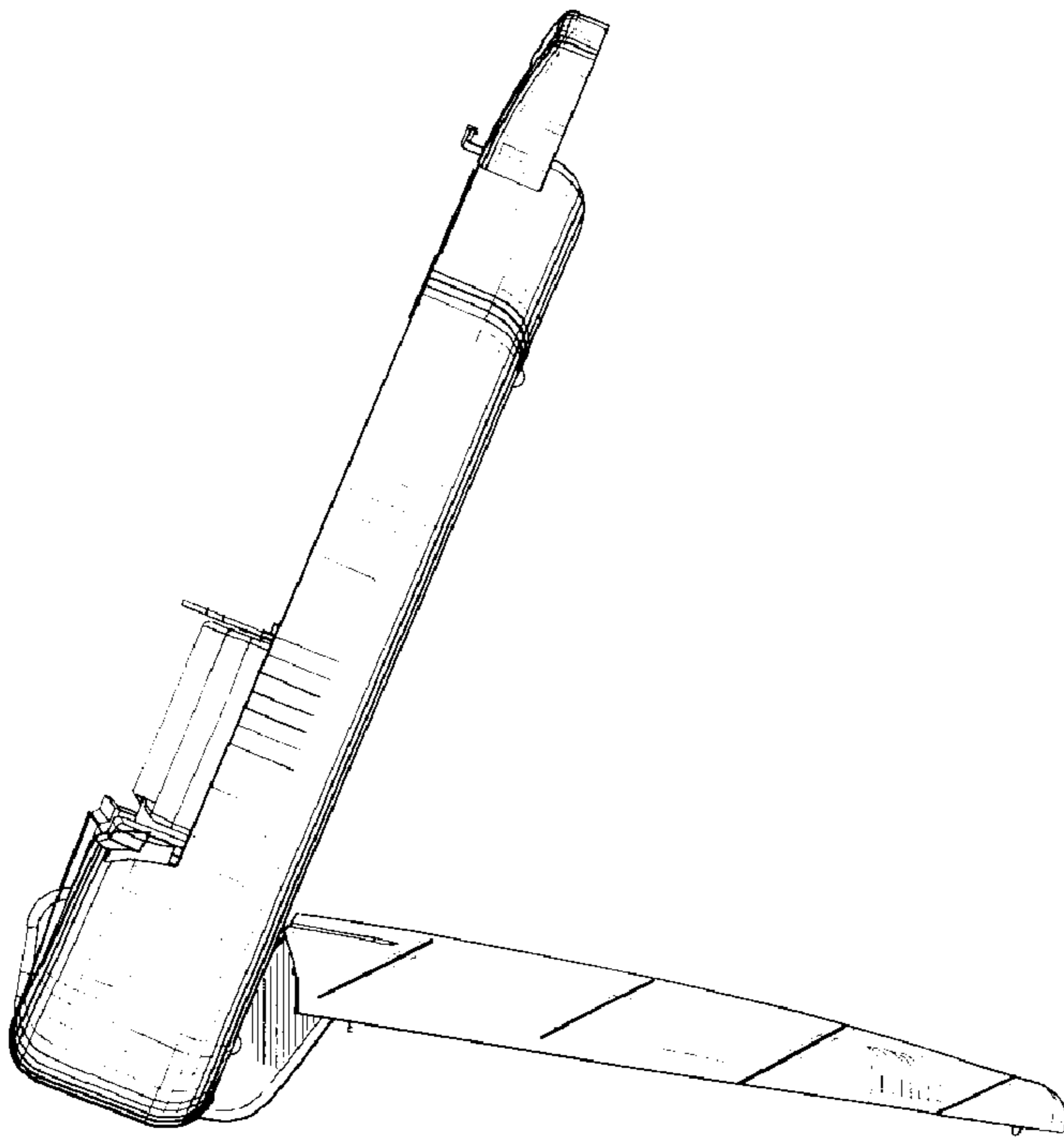


FIG. 13

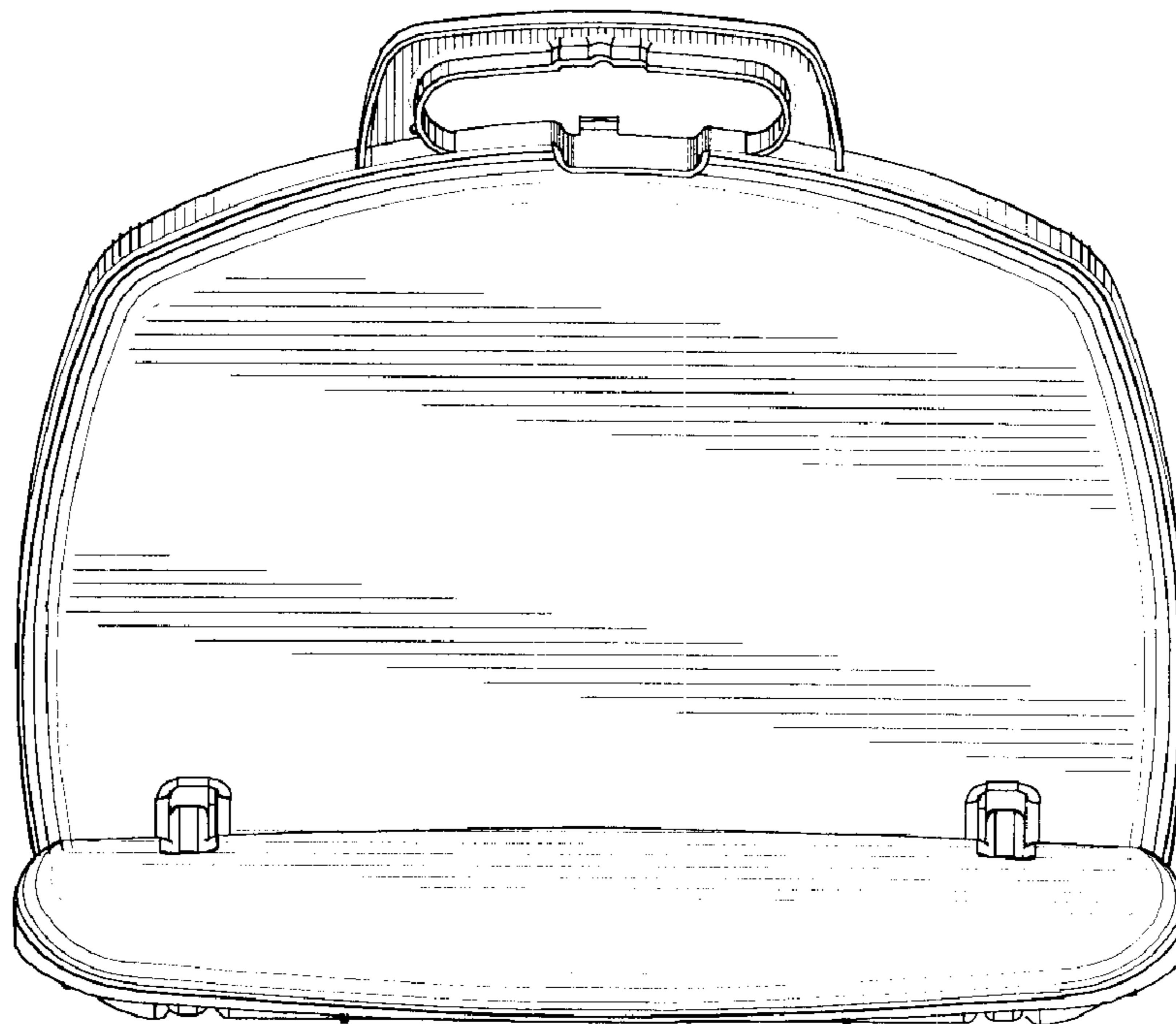


FIG. 14

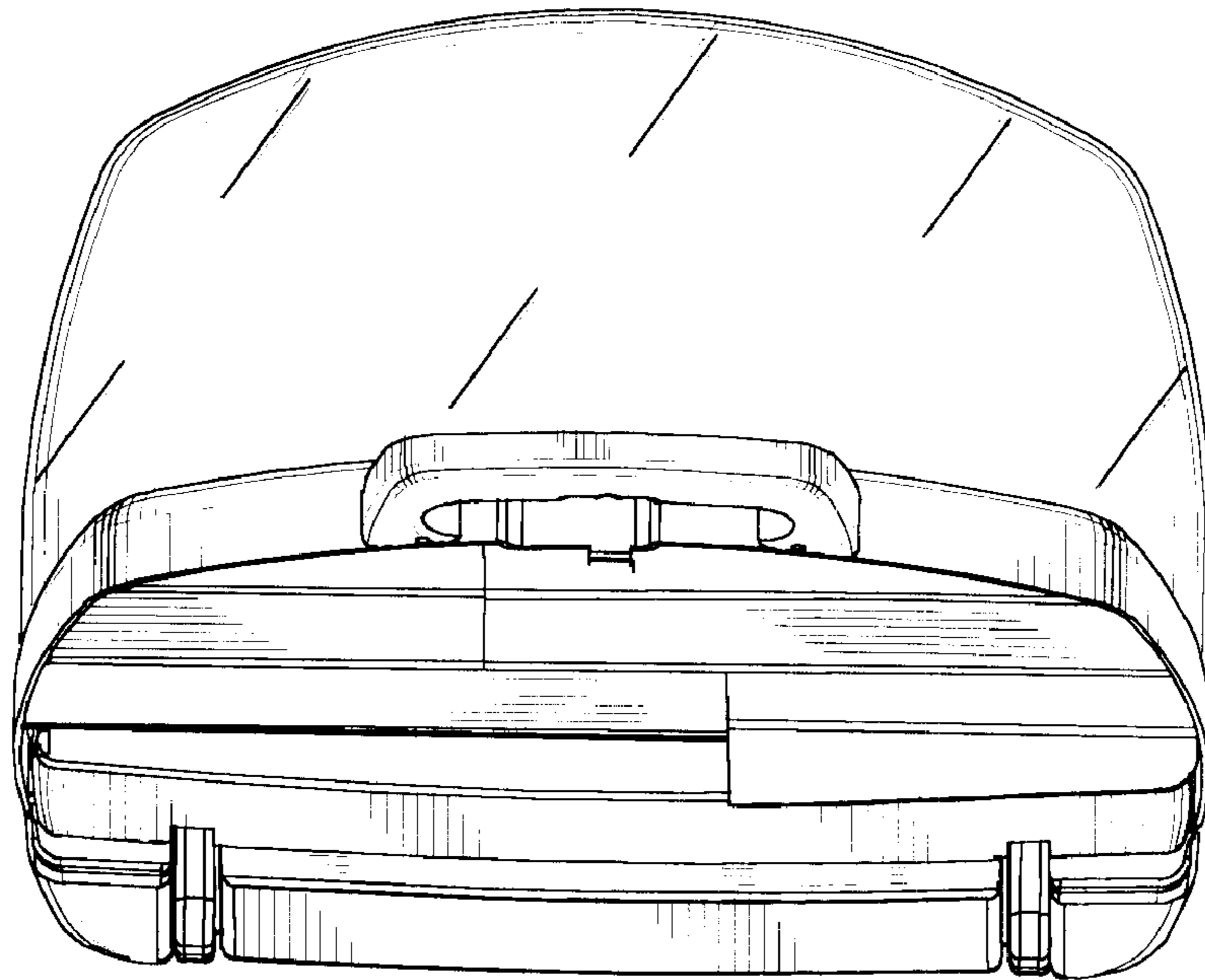


FIG. 15

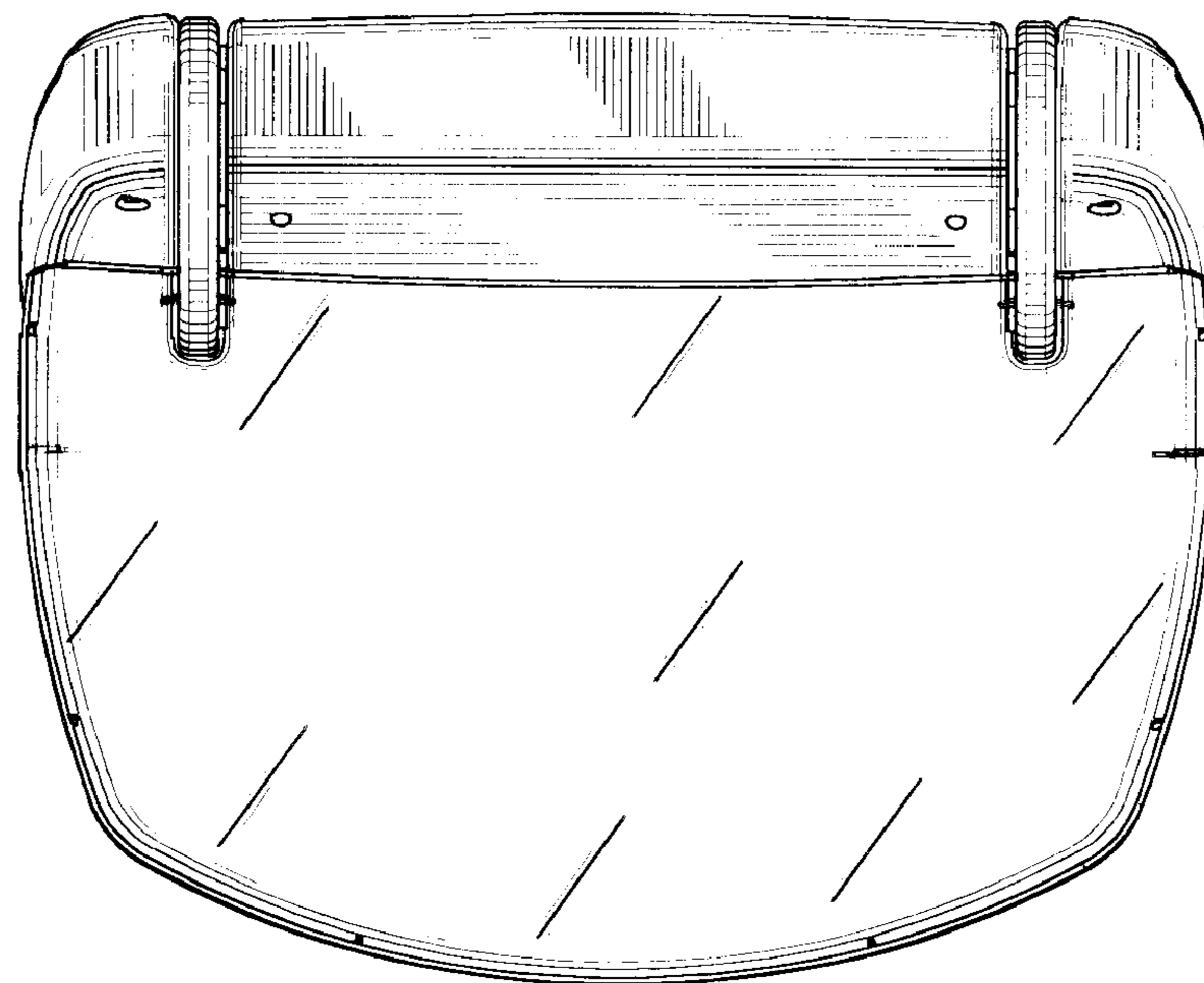


FIG. 16

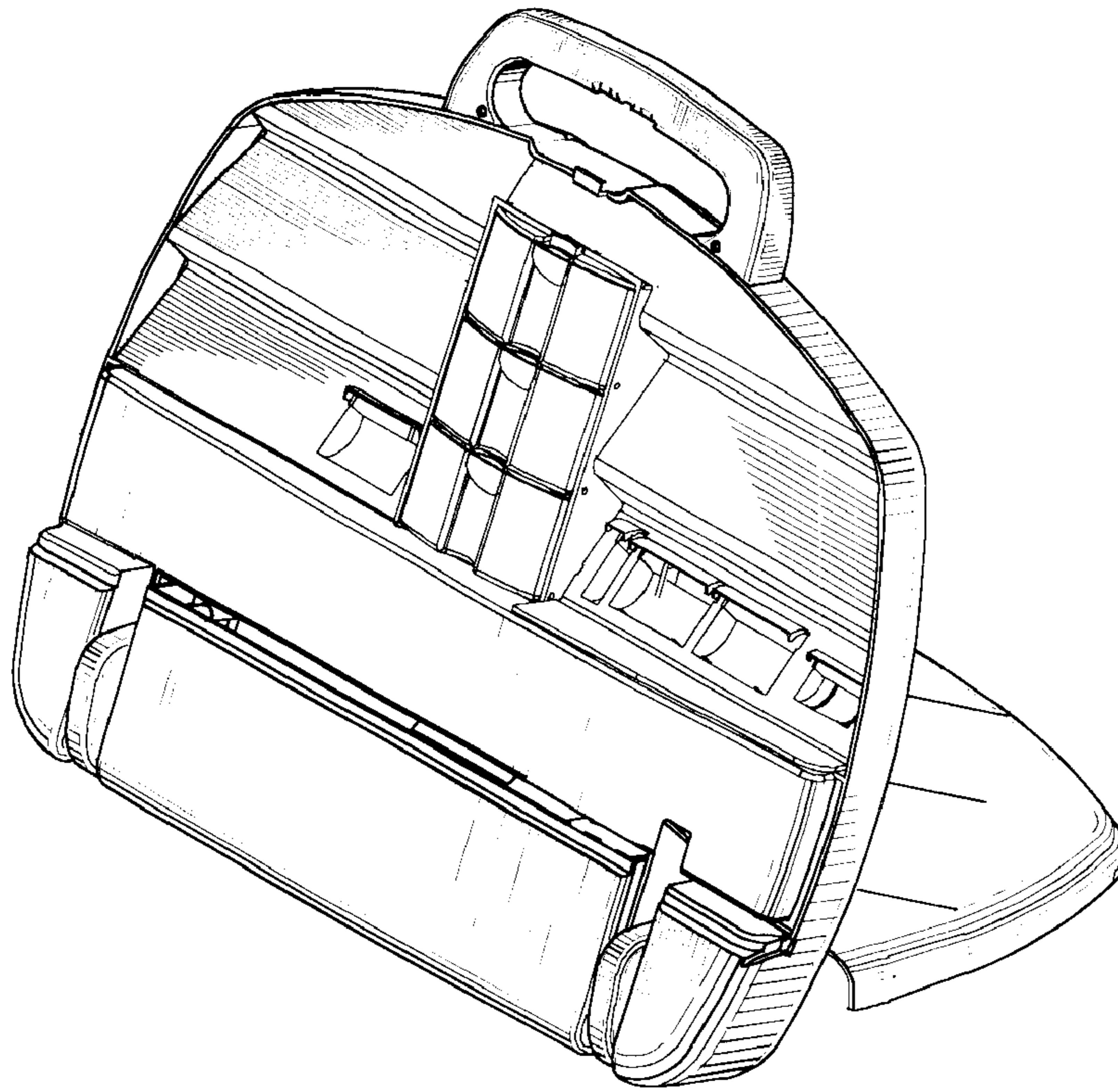


FIG.17

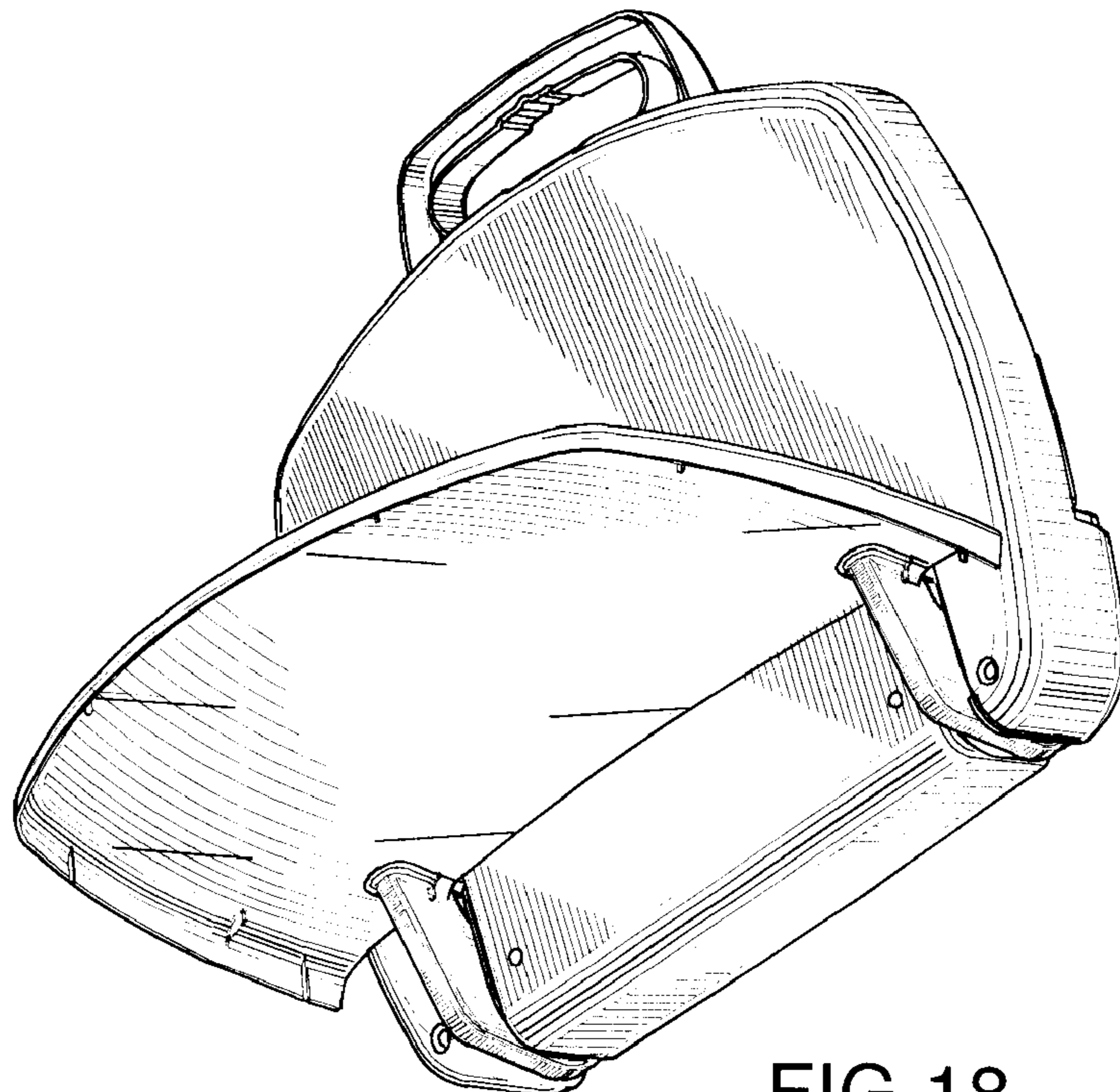


FIG.18

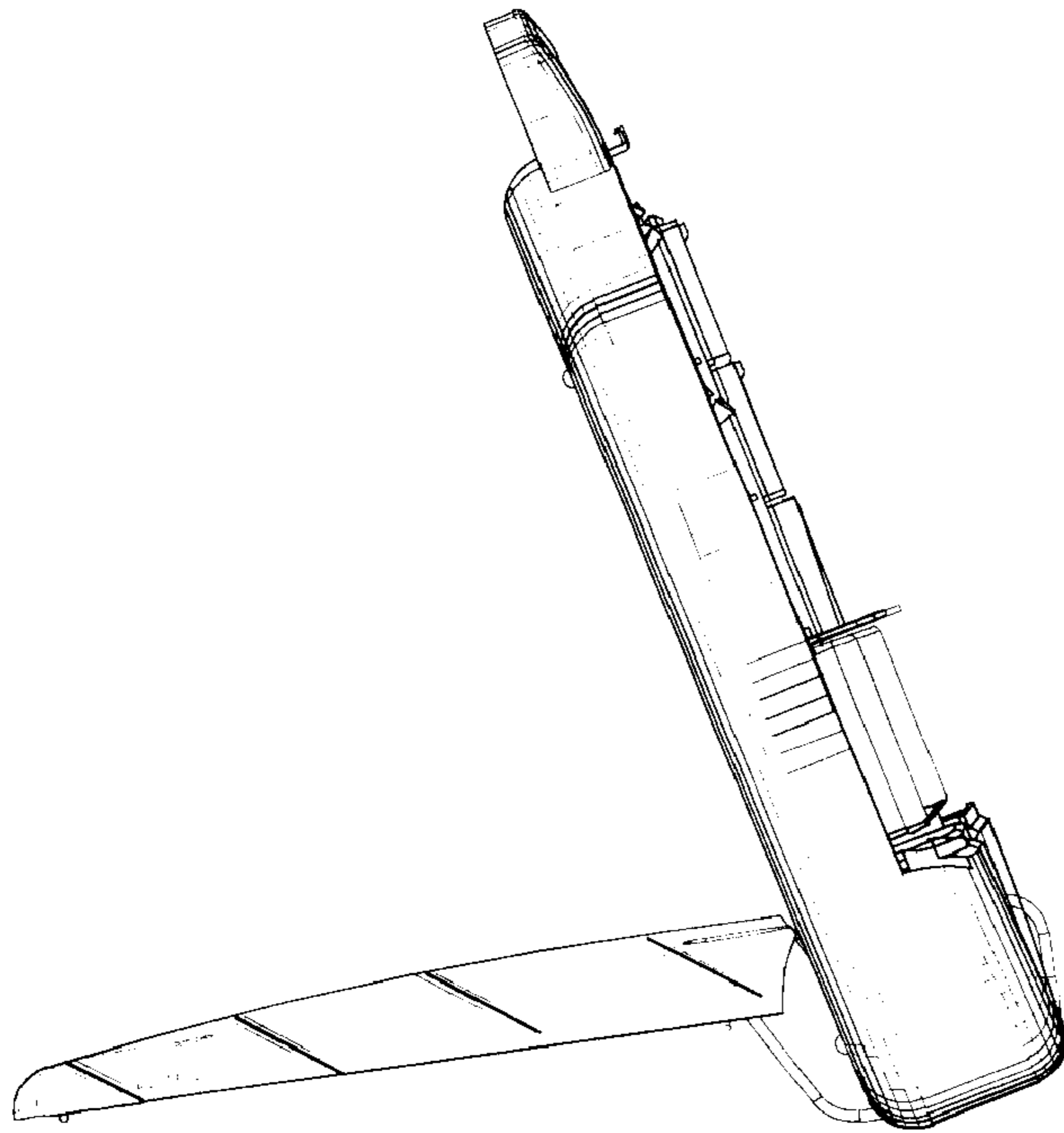


FIG. 19

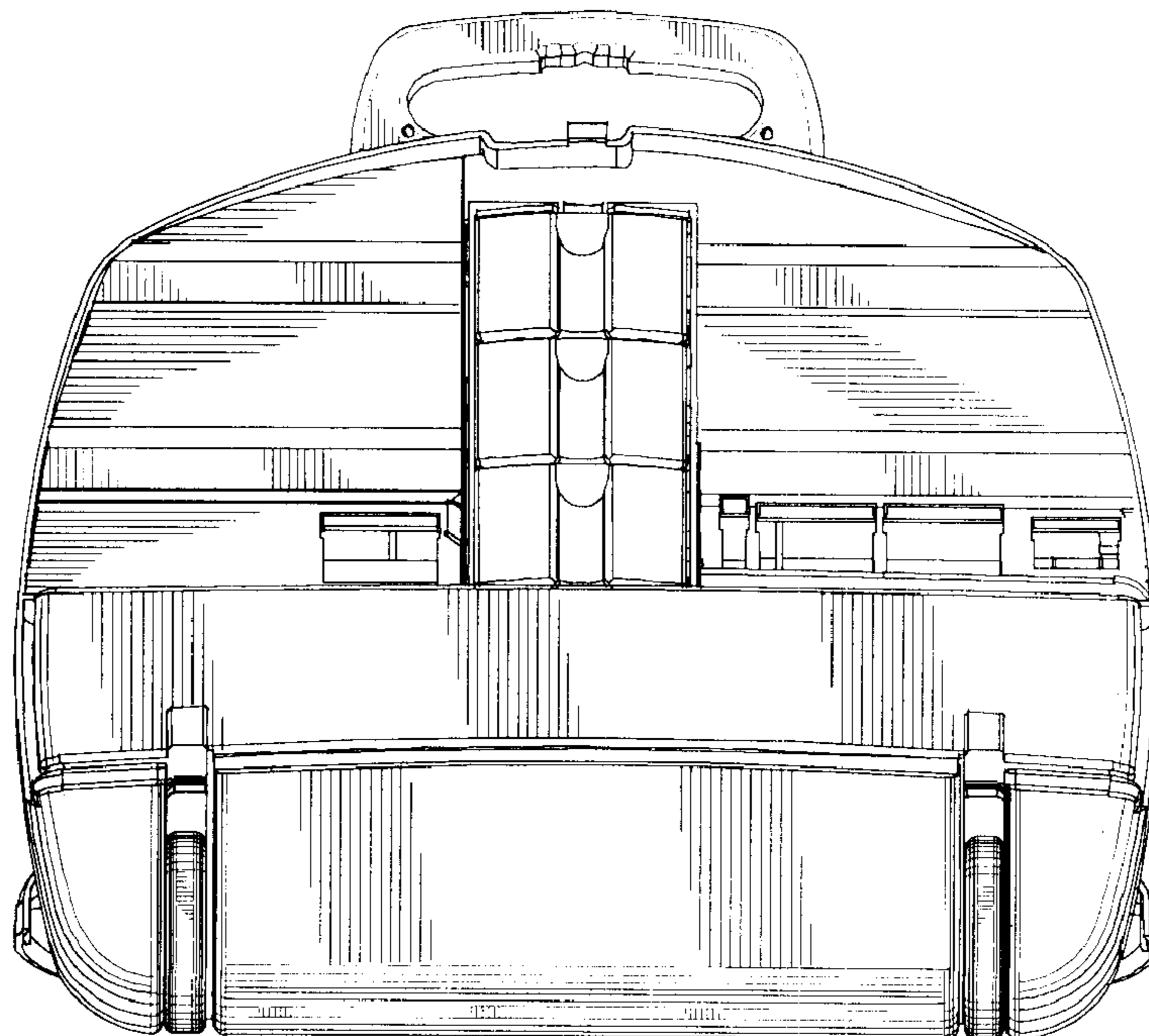


FIG. 20

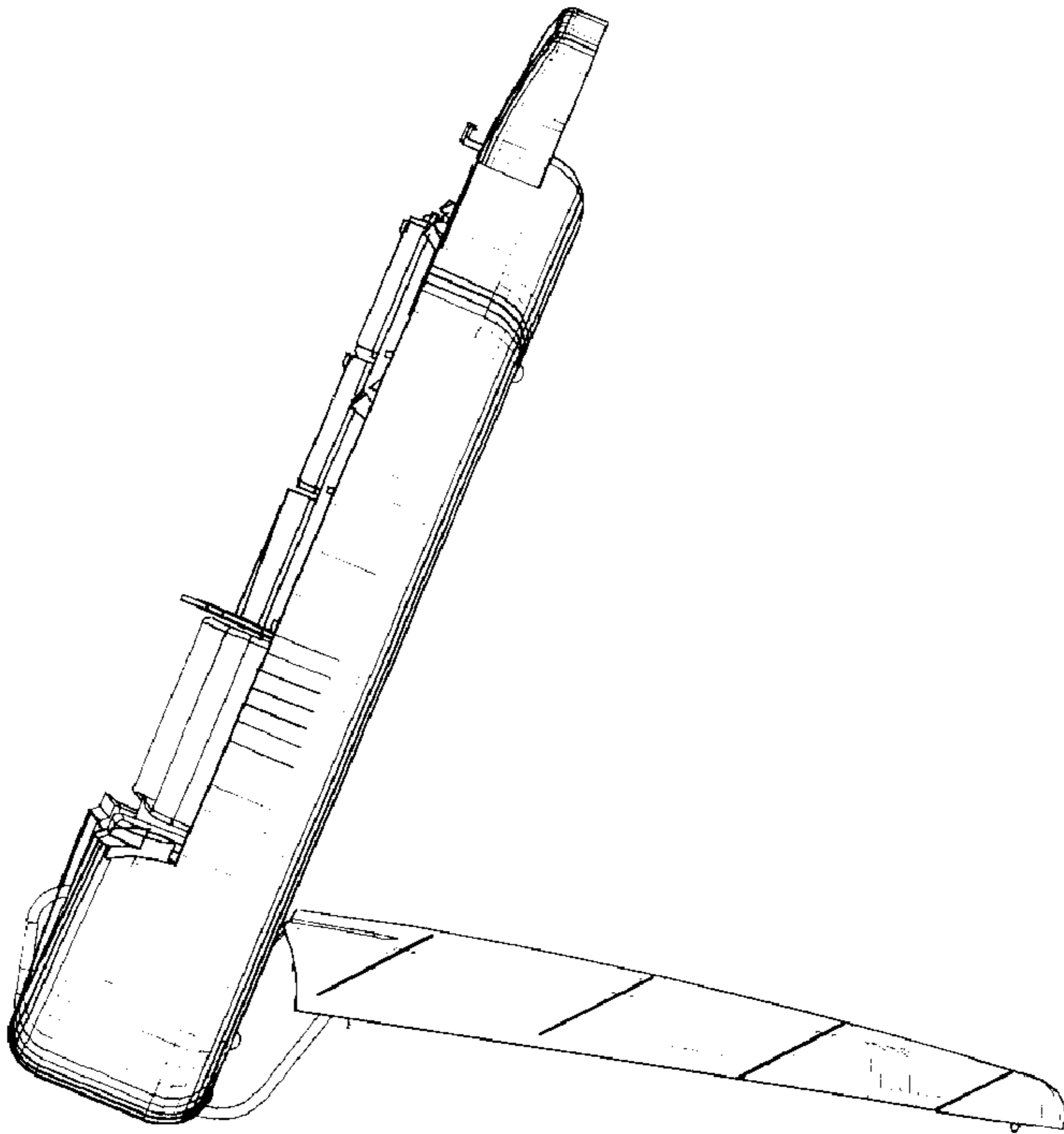


FIG. 21

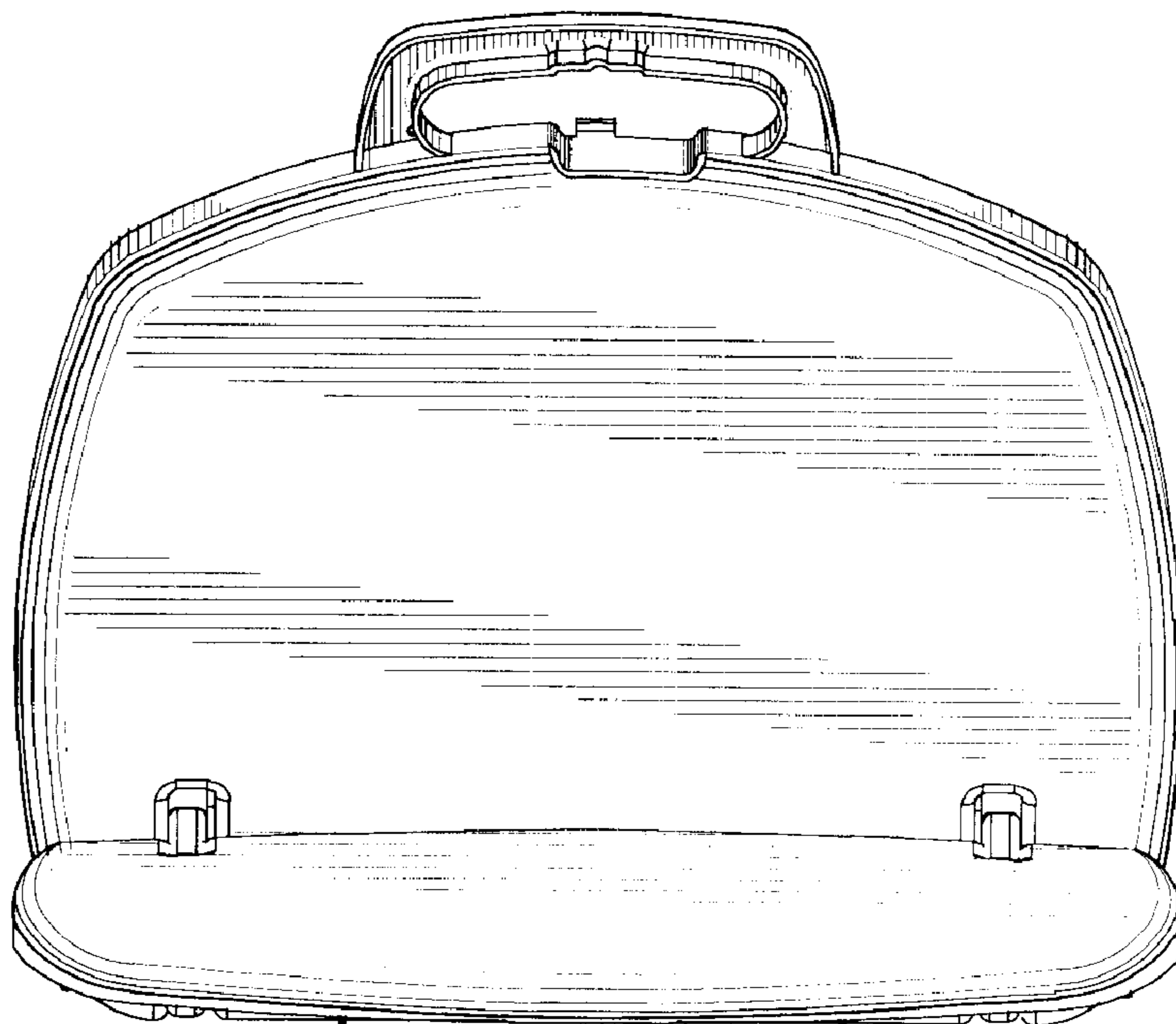


FIG. 22

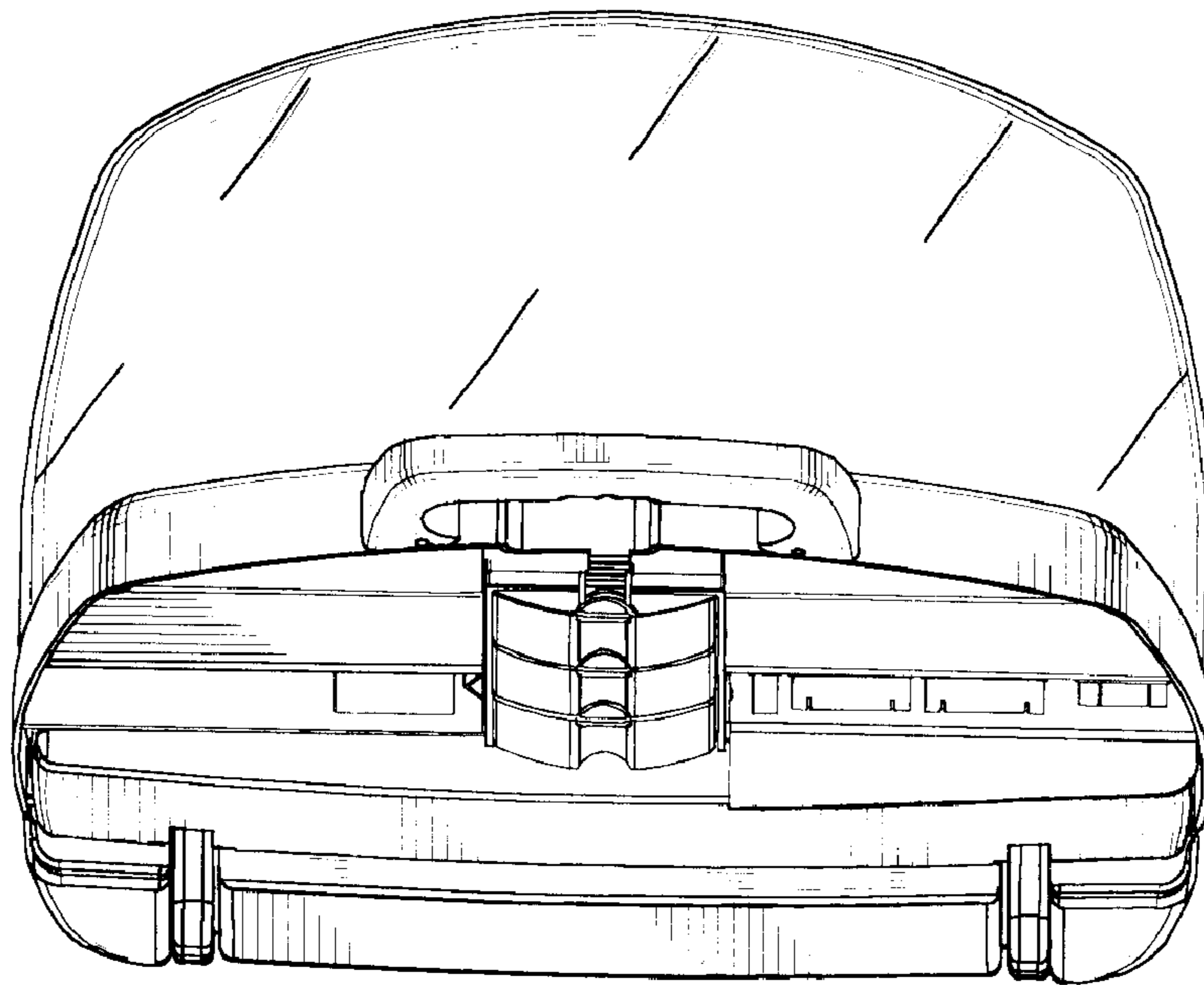


FIG. 23

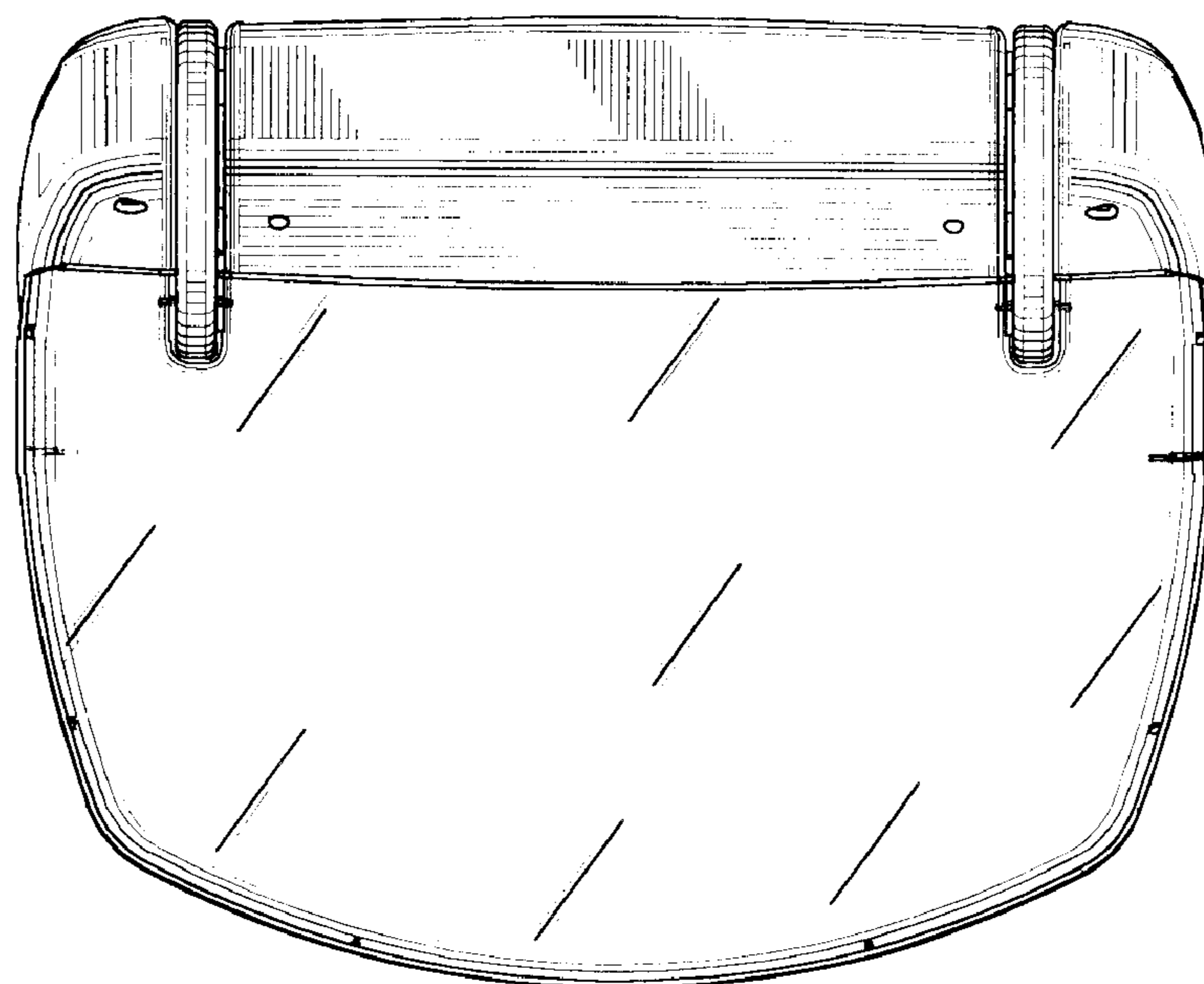


FIG. 24