



US00D512199S

(12) **United States Design Patent**
Ibañez

(10) **Patent No.:** **US D512,199 S**
(45) **Date of Patent:** **** Dec. 6, 2005**

(54) **CONFECTIONERY**

(75) **Inventor:** **Jorge Lopez Ibañez, Paterna (ES)**

(73) **Assignee:** **Productos Damel, Inc., Crevillente (ES)**

(**) **Term:** **14 Years**

(21) **Appl. No.:** **29/207,210**

(22) **Filed:** **Jun. 10, 2004**

(51) **LOC (6) Cl.** **01-01**

(52) **U.S. Cl.** **D1/129; D1/130**

(58) **Field of Search** **D1/129, 130, 126-127, D1/125; 426/501, 128, 297, 91, 94**

(56) **References Cited**

U.S. PATENT DOCUMENTS

2,726,156 A	*	12/1955	Armstrong	426/128
3,156,194 A	*	11/1964	Scott	426/501
D234,099 S	*	1/1975	Gobble et al.	D1/129
5,348,751 A	*	9/1994	Packer et al.	426/94
6,030,651 A	*	2/2000	Bronner	426/91

6,106,880 A	*	8/2000	Harada et al.	426/514
6,165,522 A	*	12/2000	Lira	426/94
6,468,569 B1	*	10/2002	Dunker et al.	426/94
D476,118 S	*	6/2003	Kirch	D30/160

* cited by examiner

Primary Examiner—Pamela Burgess

(74) *Attorney, Agent, or Firm*—Breiner & Breiner, L.L.C.

(57) **CLAIM**

The ornamental design for a confectionery, as shown and described.

DESCRIPTION

FIG. 1 is a perspective view of the confectionery of the invention.

FIG. 2 is a top plan view of the confectionery, the top and bottom views being the same.

FIG. 3 is a view of a first side of the confectionery.

FIG. 4 is a view of a second side of the confectionery, the view of a third side of the confectionery being the same; and,

FIG. 5 is a view of a fourth side of the confectionery.

1 Claim, 2 Drawing Sheets

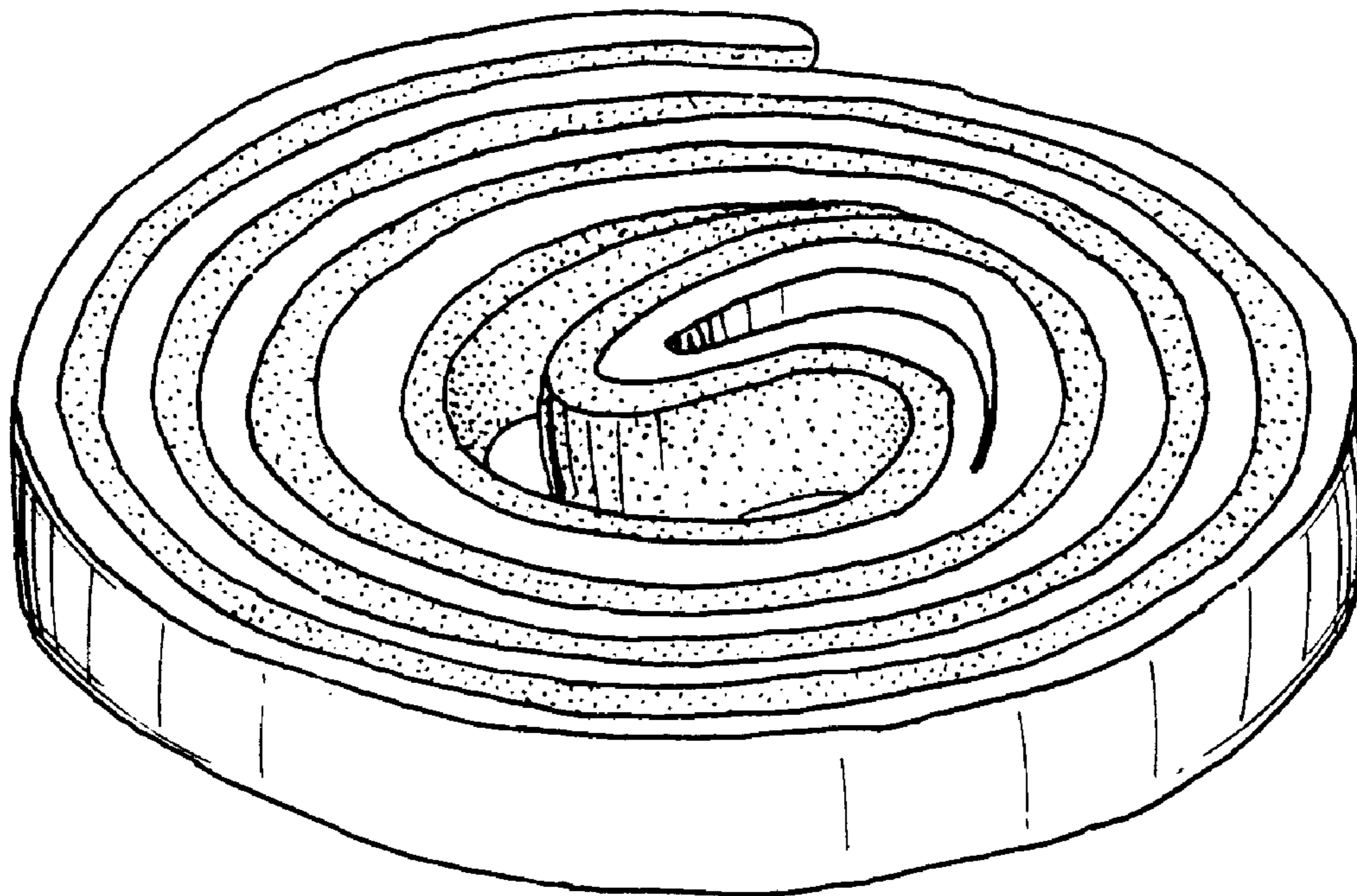


FIG. 1

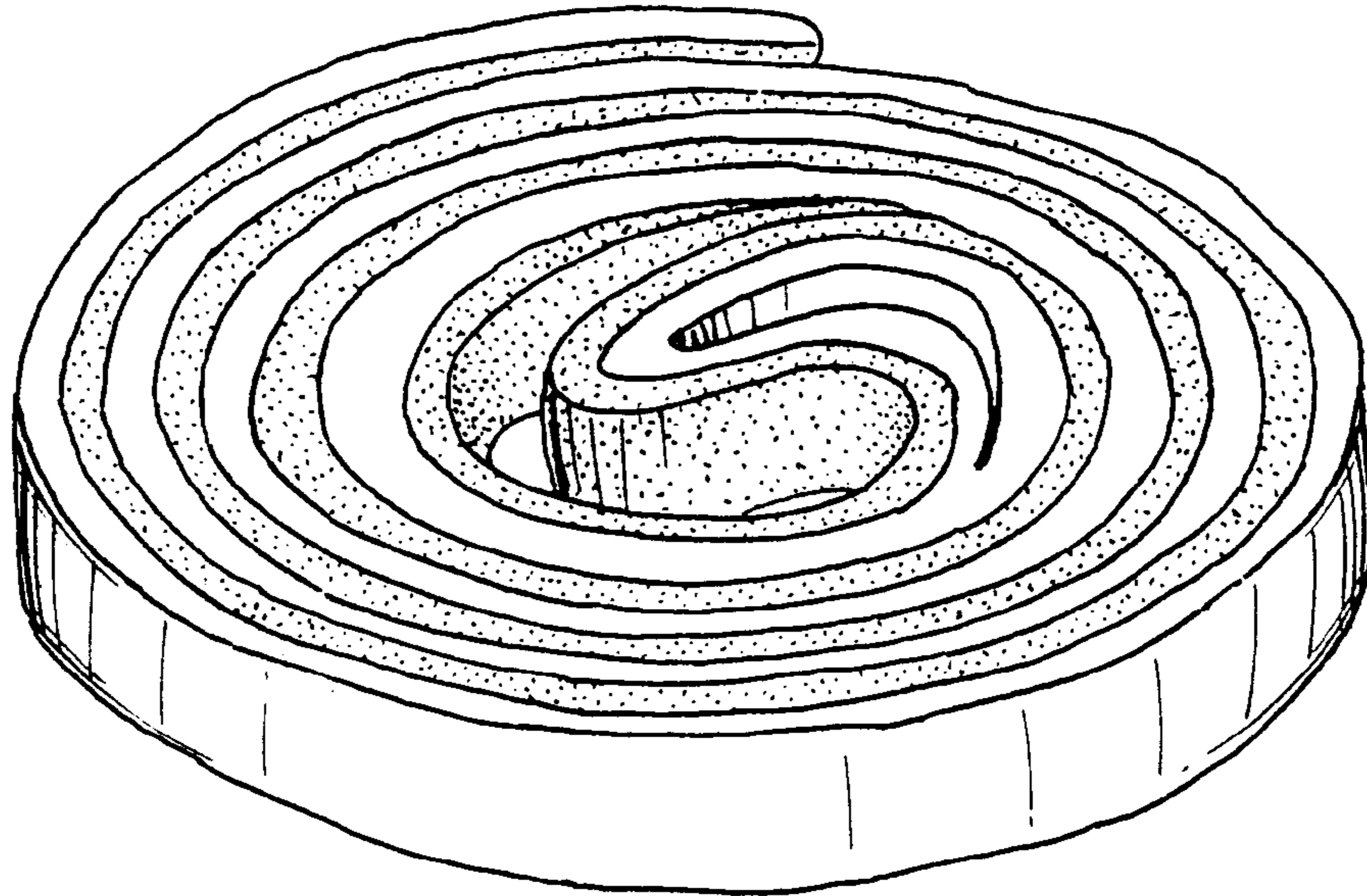


FIG. 2

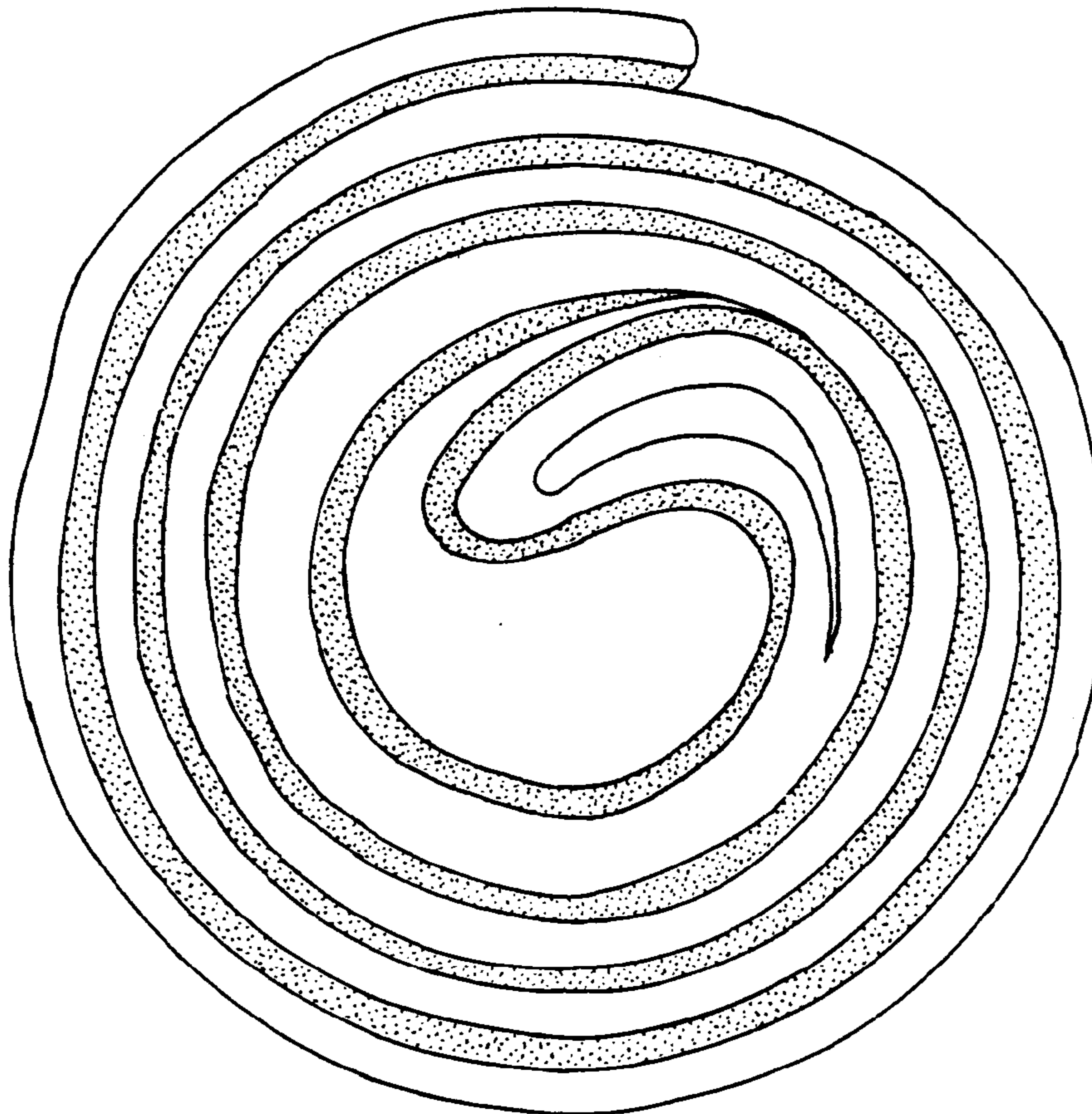


FIG. 3

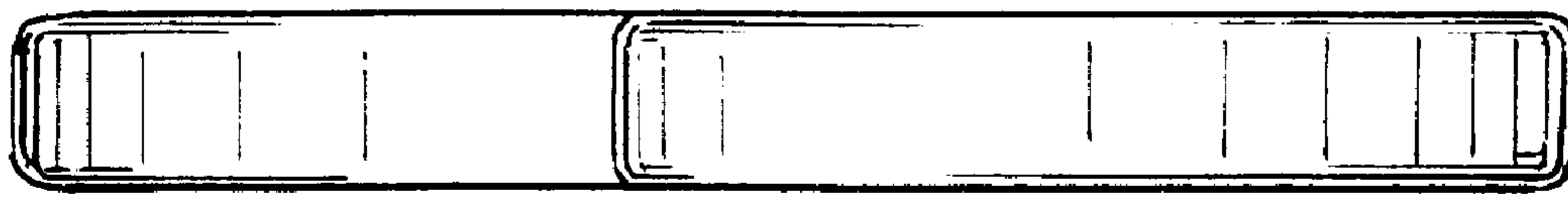
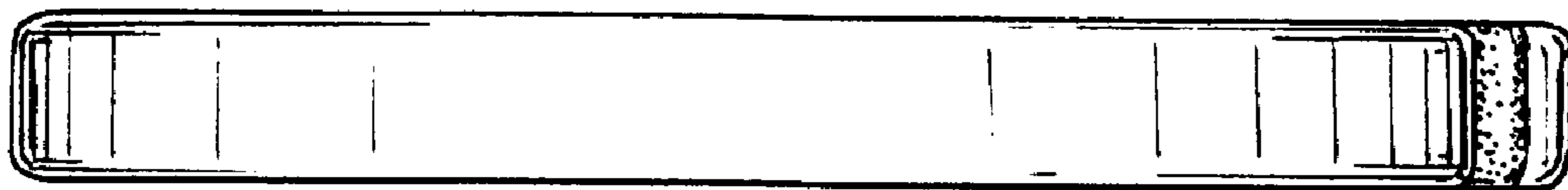


FIG. 4



FIG. 5



UNITED STATES PATENT AND TRADEMARK OFFICE
CERTIFICATE OF CORRECTION

PATENT NO. : Des. 512,199 S
APPLICATION NO. : 29/207210
DATED : December 6, 2005
INVENTOR(S) : Jorge Lopez Ibañez

Page 1 of 1

It is certified that error appears in the above-identified patent and that said Letters Patent is hereby corrected as shown below:

Title Page,

(73) Assignee: ... "Productos Damel, Inc." should read
-- Productos Damel, S.A. --.


Insert the following:

-- (30) Foreign Application Priority Data

March 26, 2004 (OHIM).....000156914-0001 --.

Signed and Sealed this

Fifteenth Day of August, 2006

A handwritten signature in black ink on a dotted background. The signature reads "Jon W. Dudas" in a cursive style.

JON W. DUDAS

Director of the United States Patent and Trademark Office