



US00D512195S

(12) **United States Design Patent**
Gartner

(10) **Patent No.:** **US D512,195 S**

(45) **Date of Patent:** **** *Nov. 29, 2005**

(54) **SAFE HANDLE**

(75) **Inventor:** **Klaus W. Gartner**, Palos Verdes Estates, CA (US)

(73) **Assignee:** **U-Code, Inc.**, Torrance, CA (US)

(*) **Notice:** This patent is subject to a terminal disclaimer.

(**) **Term:** **14 Years**

(21) **Appl. No.:** **29/167,245**

(22) **Filed:** **Sep. 11, 2002**

(51) **LOC (8) Cl.** **99-00**

(52) **U.S. Cl.** **D99/43**

(58) **Field of Search** D99/43, 28; D8/300, D8/301, 330, 331, 343; 109/39, 61, 63, 59 R, 68; 70/1.5, 213, 417, 422, 303 A, 333 R, 277, 311, 332, 278.1; 292/347; D21/519

(56) **References Cited**

U.S. PATENT DOCUMENTS

1,104,765 A * 7/1914 Baloun 109/59 R
1,693,048 A * 11/1928 Paca 109/63
2,918,883 A * 12/1959 Graber et al. 109/61
D272,823 S 2/1984 Fukanaga

D354,836 S * 1/1995 Crosby D99/43
5,609,051 A 3/1997 Donaldson
D391,834 S 3/1998 Phillips
5,887,467 A 3/1999 Butterweck et al.
6,016,677 A 1/2000 Clark
6,378,344 B1 * 4/2002 Gartner 70/278.1

* cited by examiner

Primary Examiner—Paula A. Mortimer

(74) *Attorney, Agent, or Firm*—Oppenheimer, Wolff & Donnelly LLP

(57) **CLAIM**

The ornamental design for an safe handle, as shown and described.

DESCRIPTION

FIG. 1 is a front view of a safe handle showing my new design, the entry mechanism shown in phantom is not part of the design;

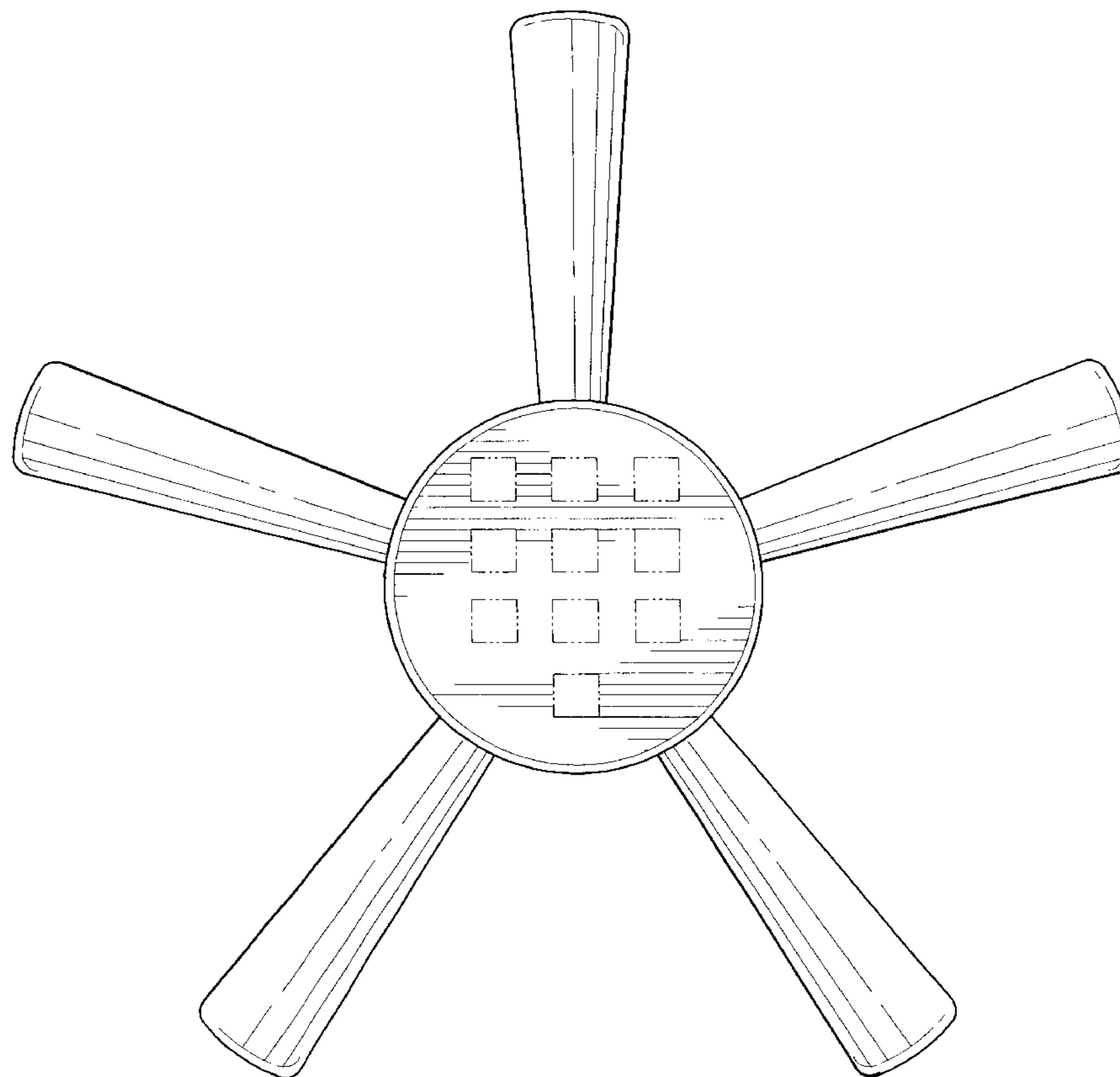
FIG. 2 is a rear elevation of the safe handle from the right side of FIG. 1;

FIG. 3 is a top view of the safe handle from the top of FIG. 1;

FIG. 4 is a bottom view of the safe handle from the bottom of FIG. 1; and,

FIG. 5 is a side view of the safe handle from the side of FIG. 1.

1 Claim, 3 Drawing Sheets



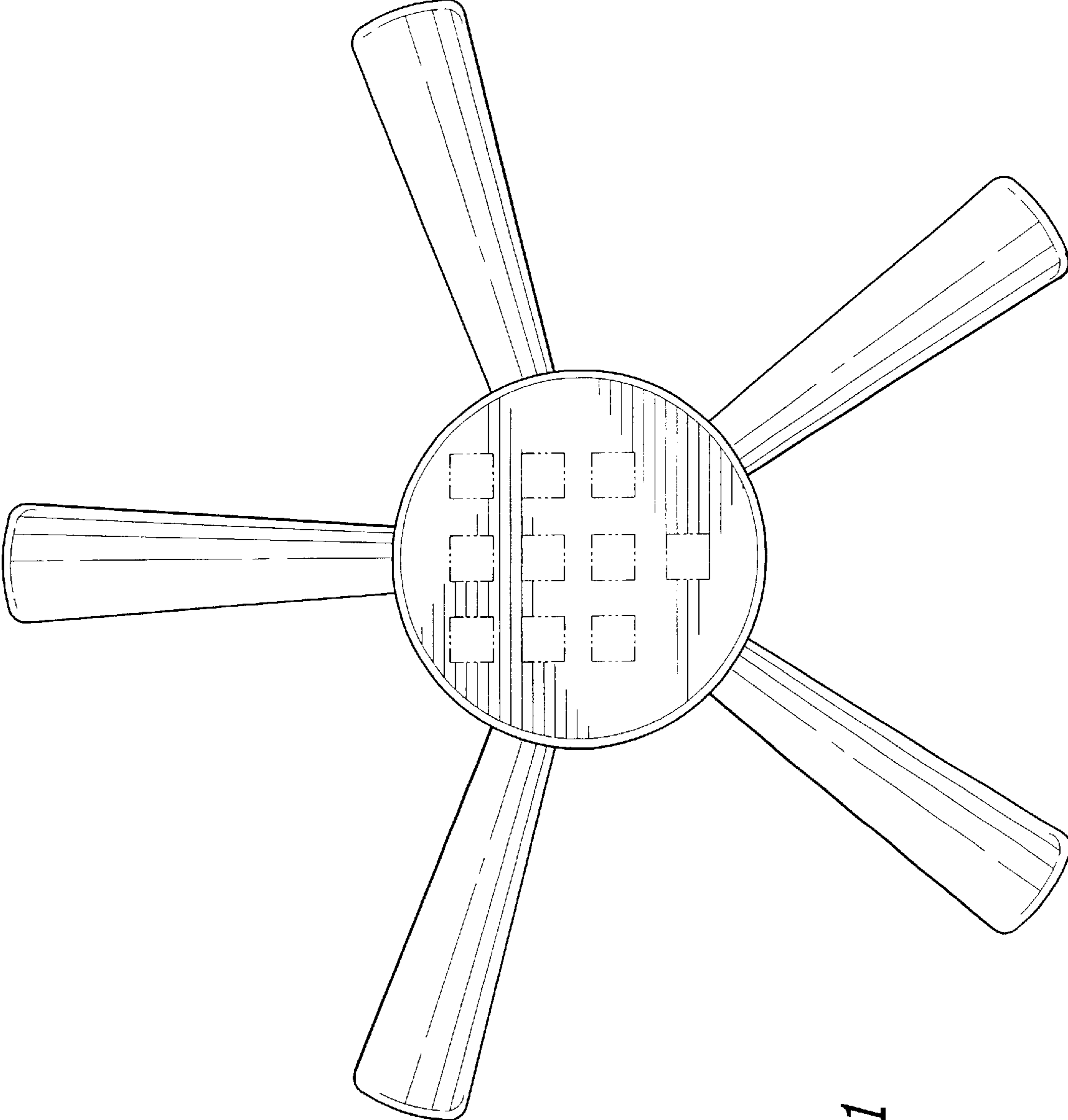


FIG. 1

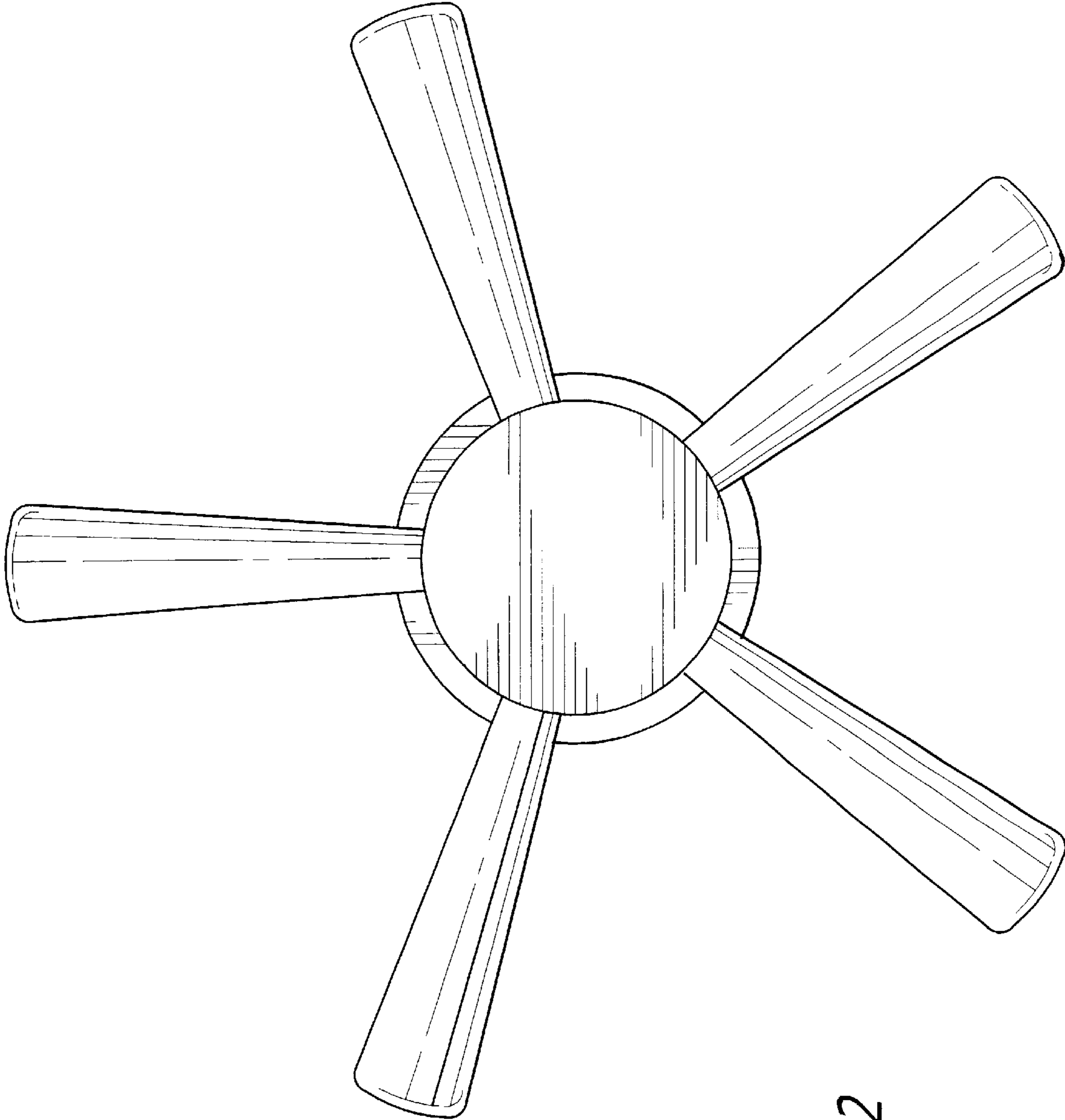


FIG. 2

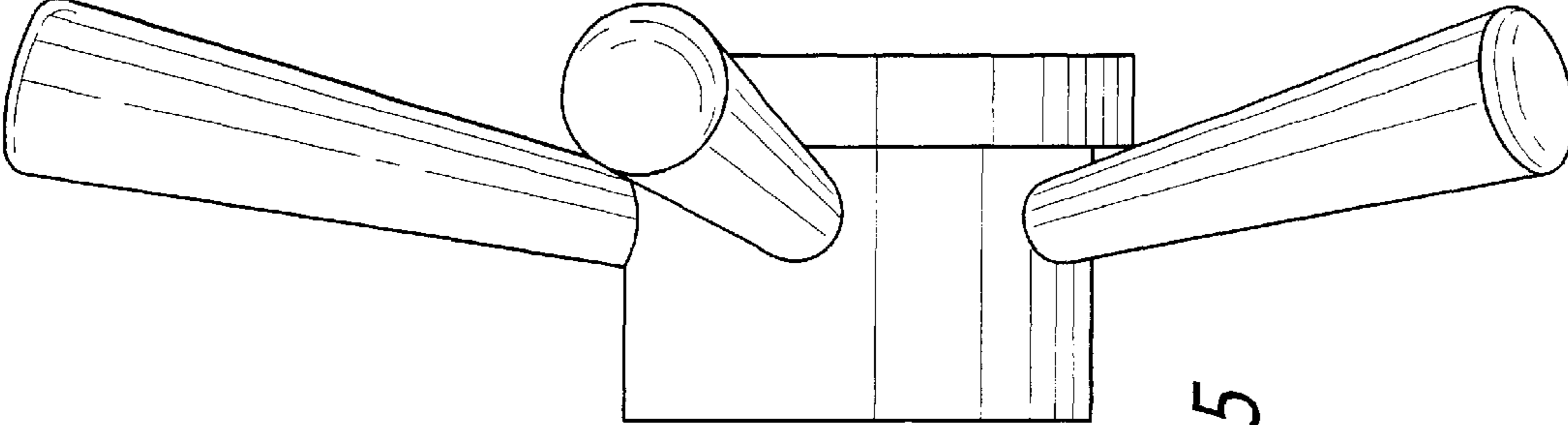


FIG. 5

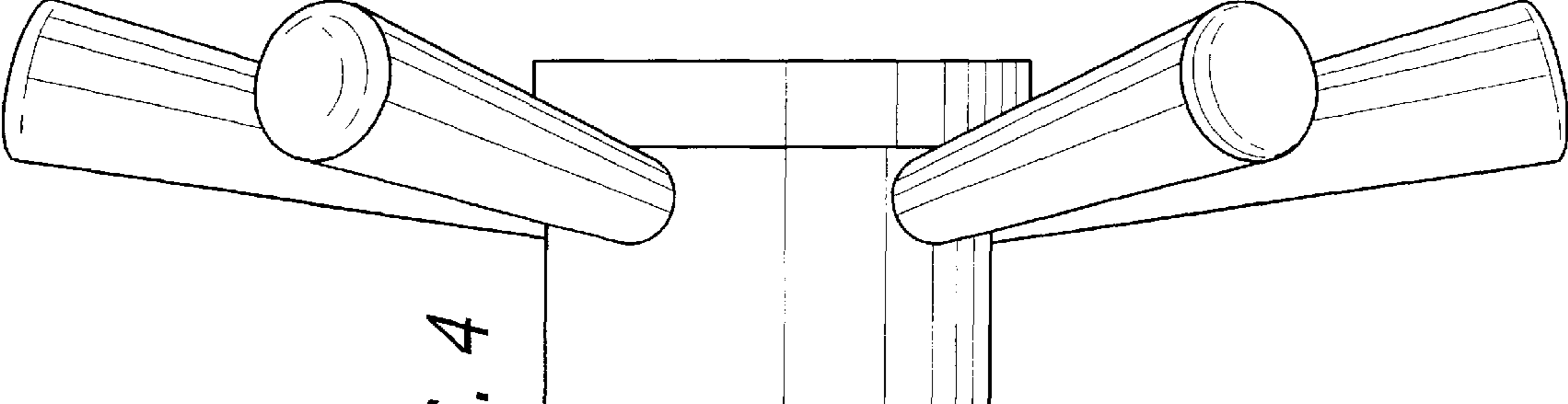


FIG. 4

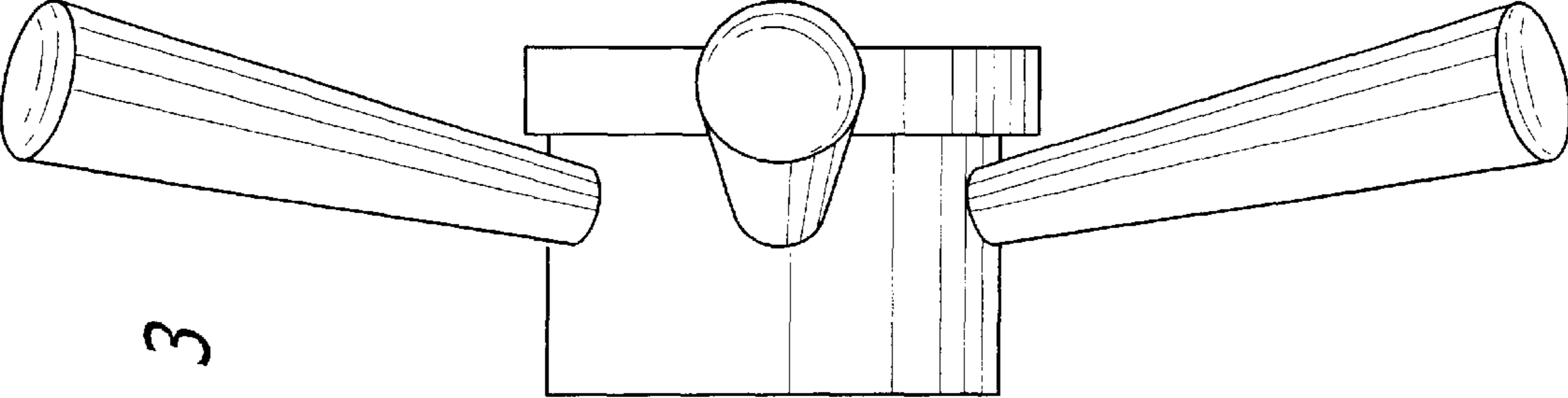


FIG. 3