



US00D512190S

(12) **United States Design Patent**  
**Hendricks**

(10) **Patent No.:** **US D512,190 S**

(45) **Date of Patent:** **\*\* Nov. 29, 2005**

(54) **BIRD PERCH ASSEMBLY**

(76) Inventor: **Don R. Hendricks**, 76 Ellisor Rd.,  
Huntsville, TX (US) 77320

(\*\*) Term: **14 Years**

(21) Appl. No.: **29/208,250**

(22) Filed: **Jun. 28, 2004**

(51) **LOC (8) Cl.** ..... **30-99**

(52) **U.S. Cl.** ..... **D30/199; 119/537**

(58) **Field of Search** ..... D30/124, 119,  
D30/160, 199; 119/468, 464, 537, 531,  
51.01, 57.8, 786, 702, 706

(56) **References Cited**

**U.S. PATENT DOCUMENTS**

819,204 A *	5/1906	Buckingham	119/531
D153,272 S	4/1949	Forner	
2,690,159 A	9/1954	Sherry	
2,707,936 A	5/1955	Kiehl	
D175,292 S	8/1955	Perch	
3,810,445 A *	5/1974	Stadler	119/537
4,627,384 A	12/1986	Courteau	
5,010,848 A	4/1991	Rankin	

5,265,557 A	11/1993	Lovitz
5,381,758 A	1/1995	Simon
5,413,068 A	5/1995	Segal
5,511,512 A	4/1996	Pintavalli
5,632,230 A	5/1997	Dornetta
D400,314 S	10/1998	Nicolai

\* cited by examiner

*Primary Examiner*—Alan P. Douglas

*Assistant Examiner*—Susan M Lee

(74) *Attorney, Agent, or Firm*—Stephen D. Carver

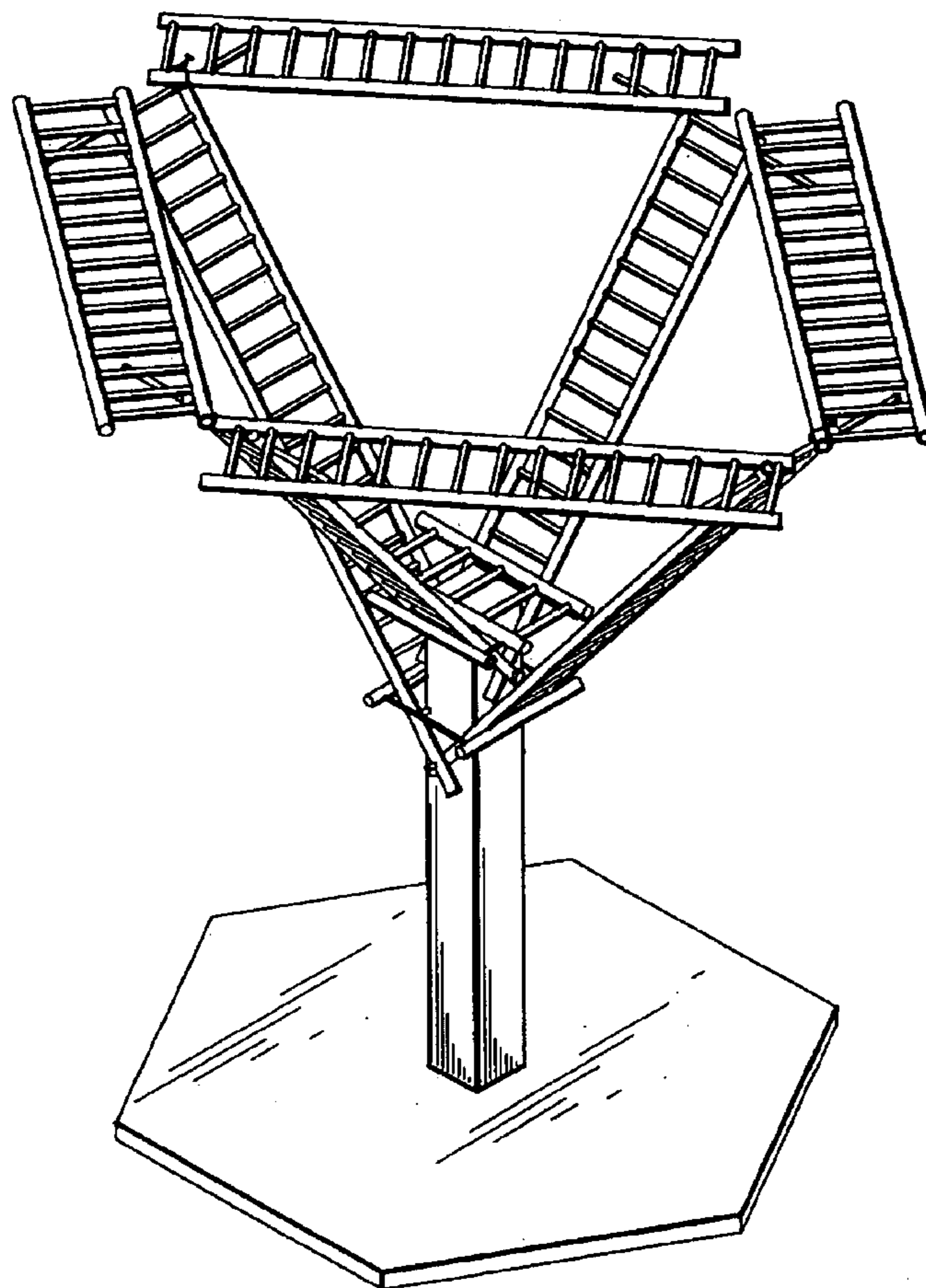
(57) **CLAIM**

The ornamental design for a bird perch assembly, as shown and described.

**DESCRIPTION**

FIG. 1 is a frontal isometric view;  
FIG. 2 is a bottom isometric view thereof;  
FIG. 3 is a front elevational view thereof;  
FIG. 4 is a left side elevational view thereof;  
FIG. 5 is a right side elevational view thereof;  
FIG. 6 is a top plan view thereof;  
FIG. 7 is a bottom plan view thereof; and,  
FIG. 8 is a rear elevational view thereof.

**1 Claim, 8 Drawing Sheets**



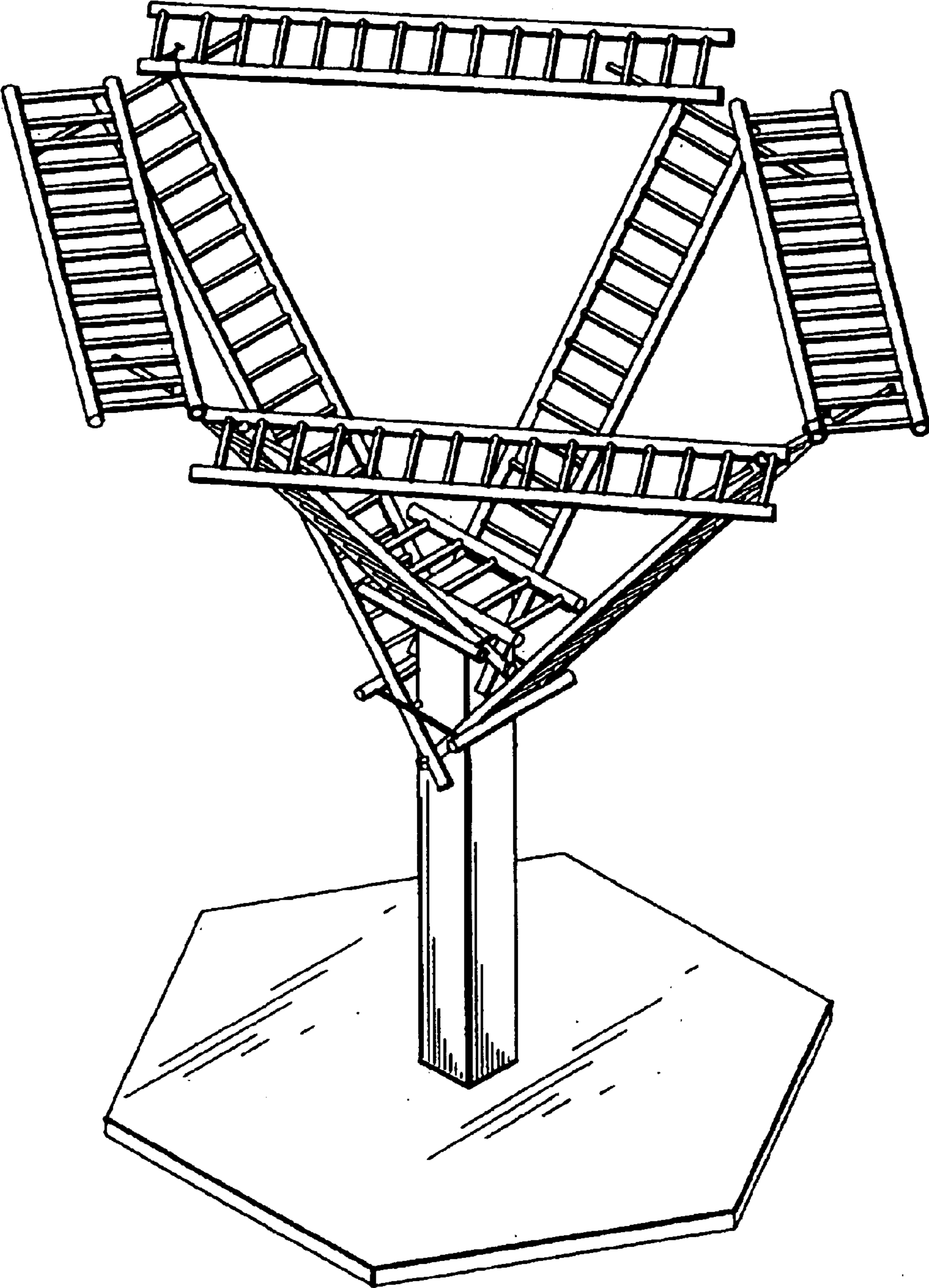


Fig. 1

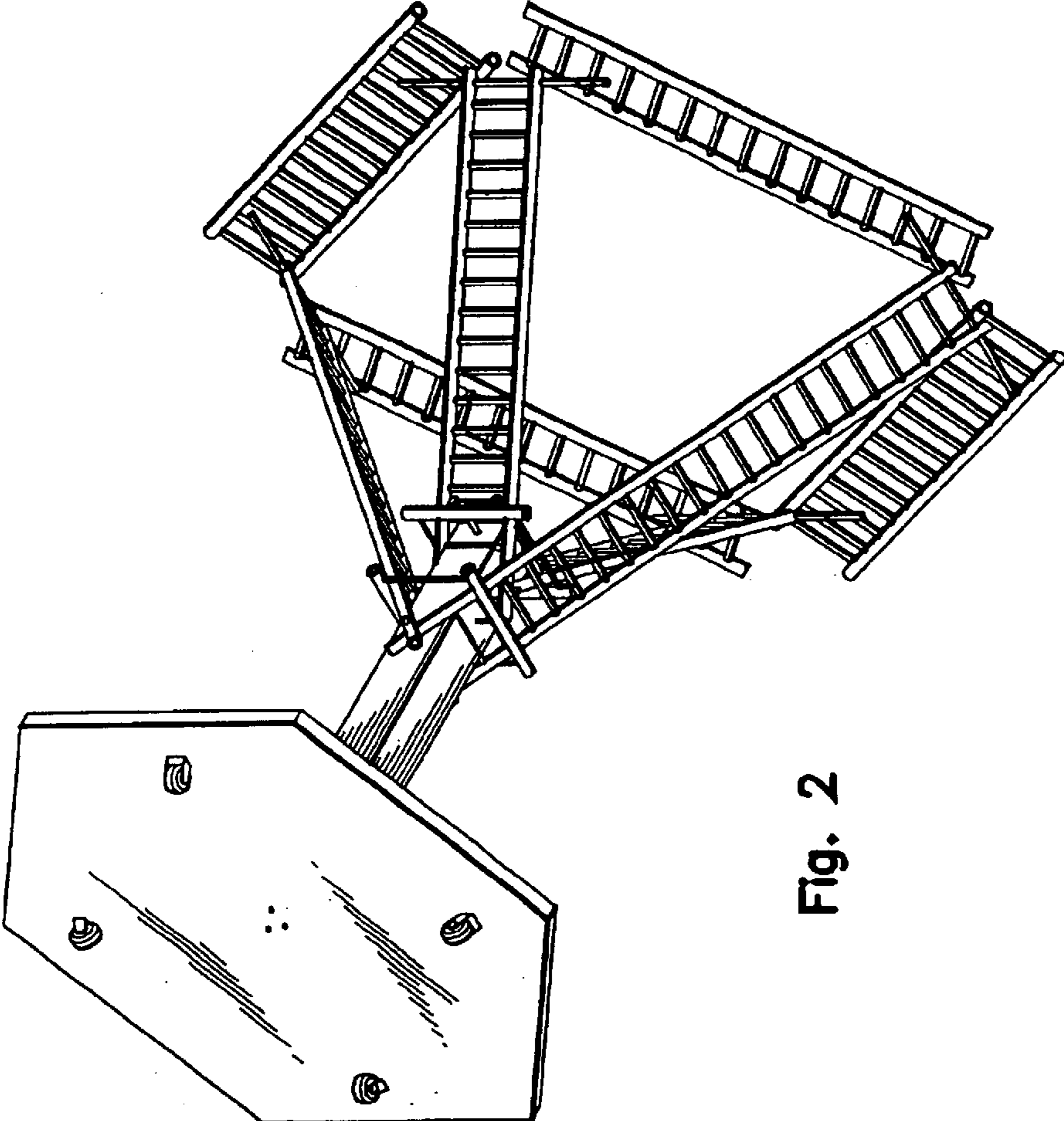


Fig. 2

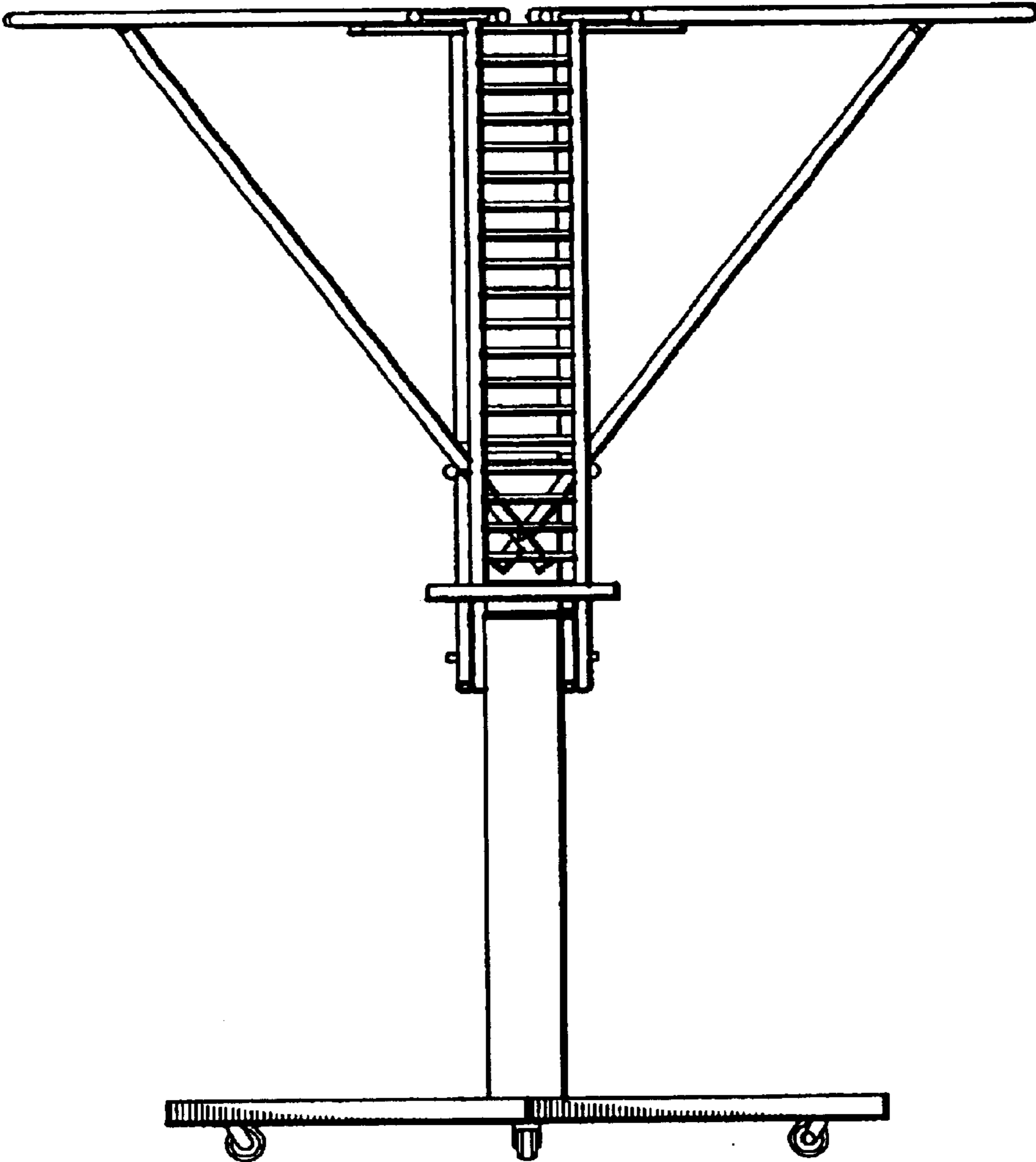


Fig. 3

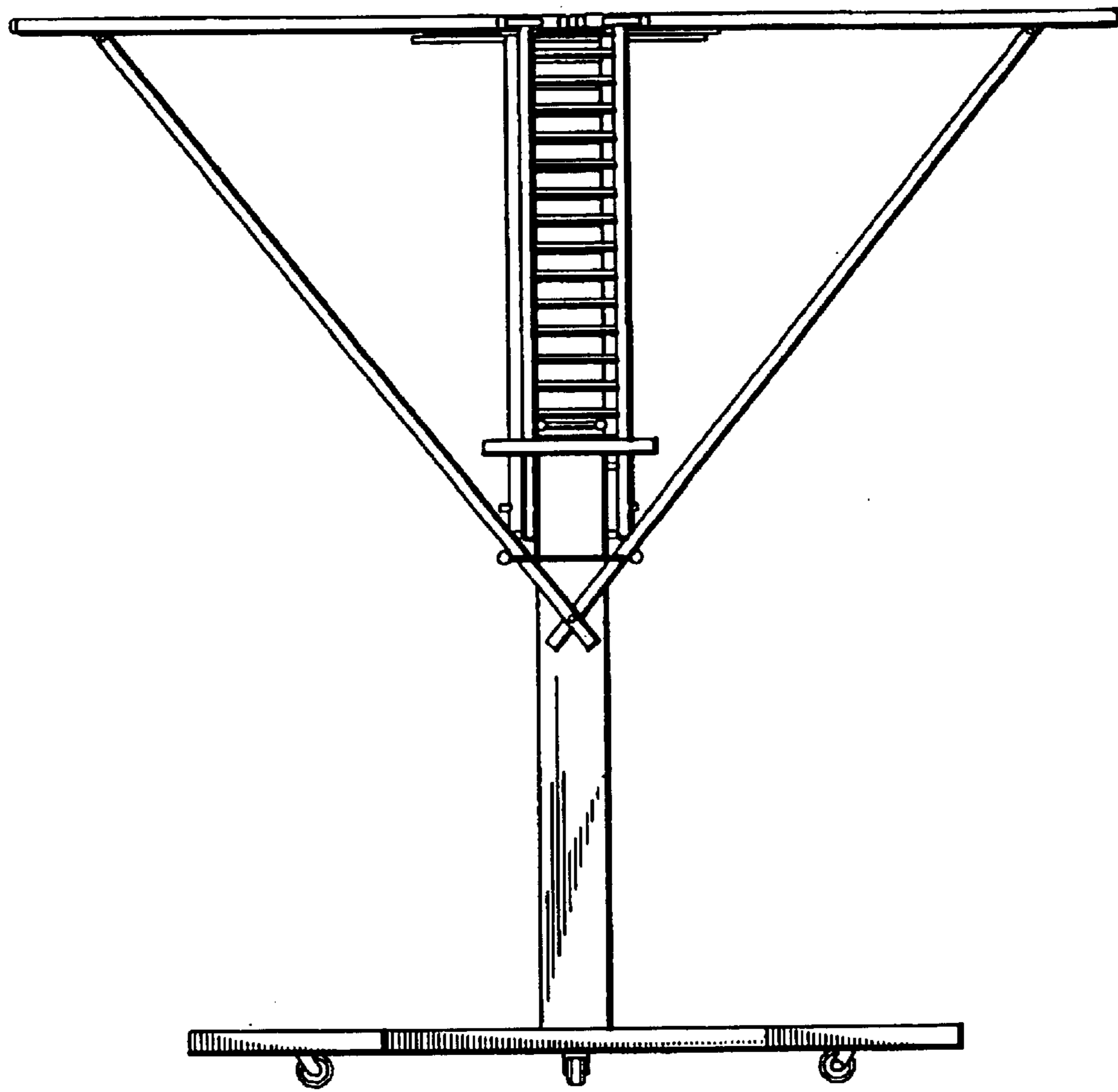


Fig. 4

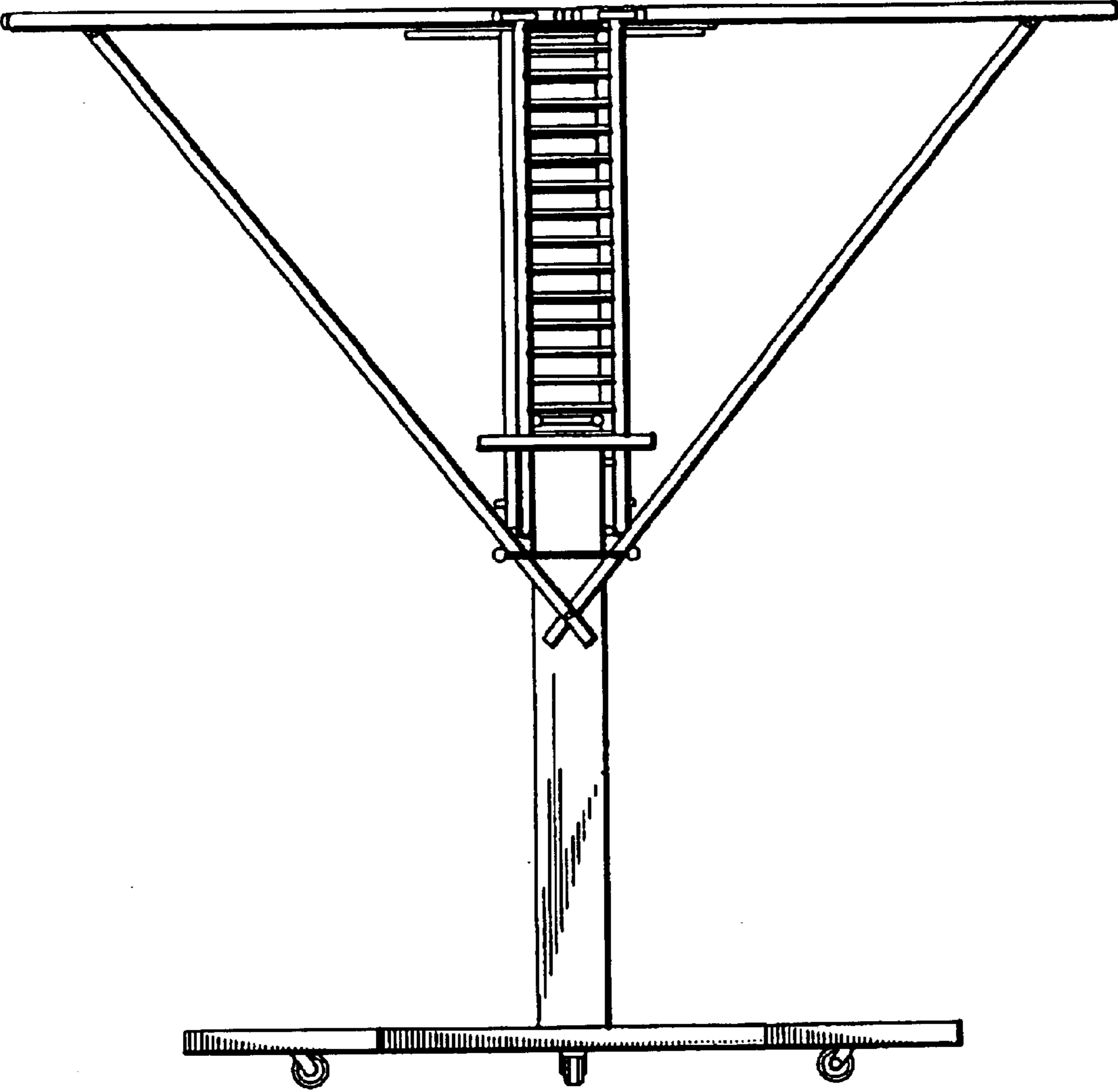


Fig. 5

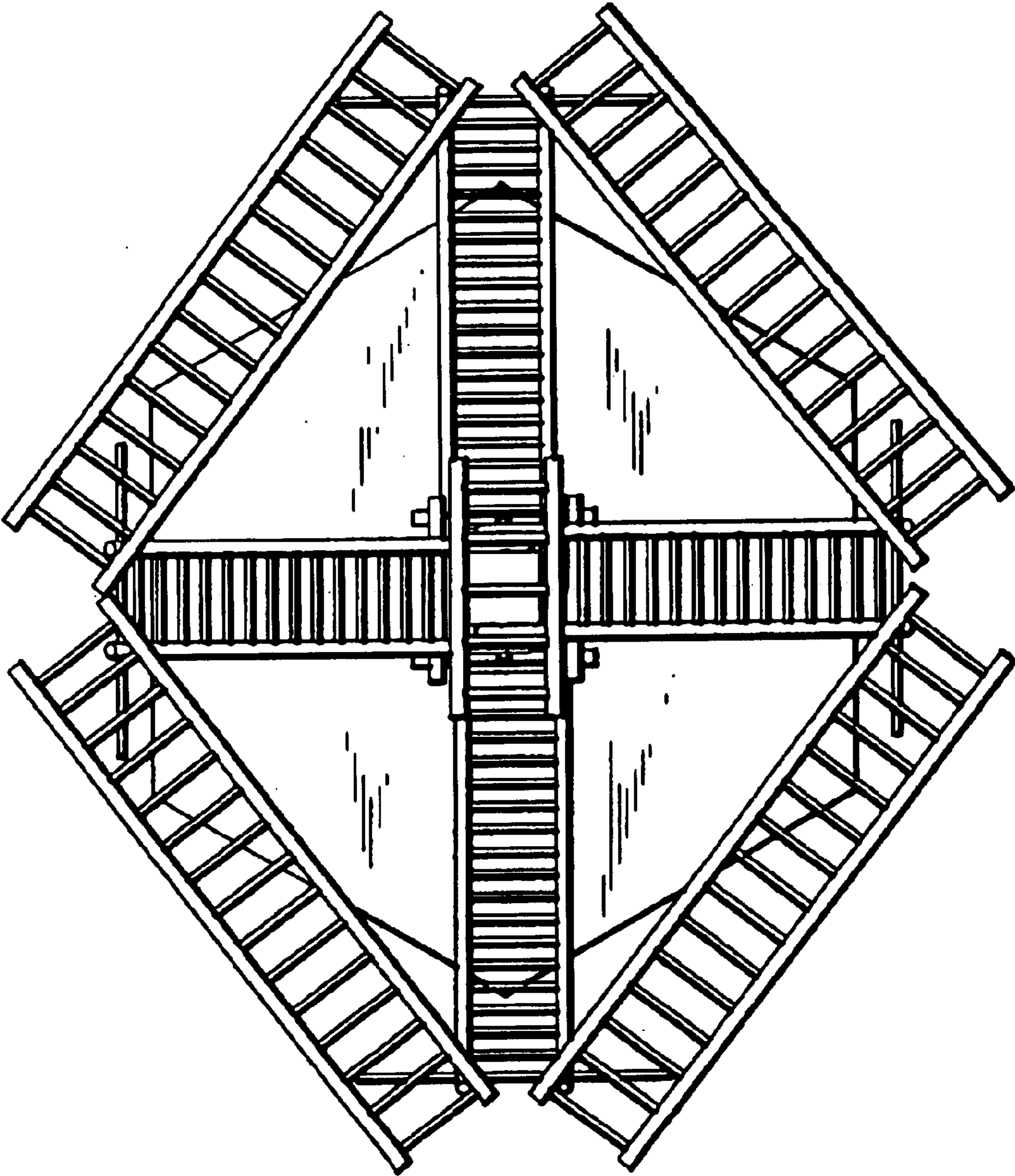


Fig. 6

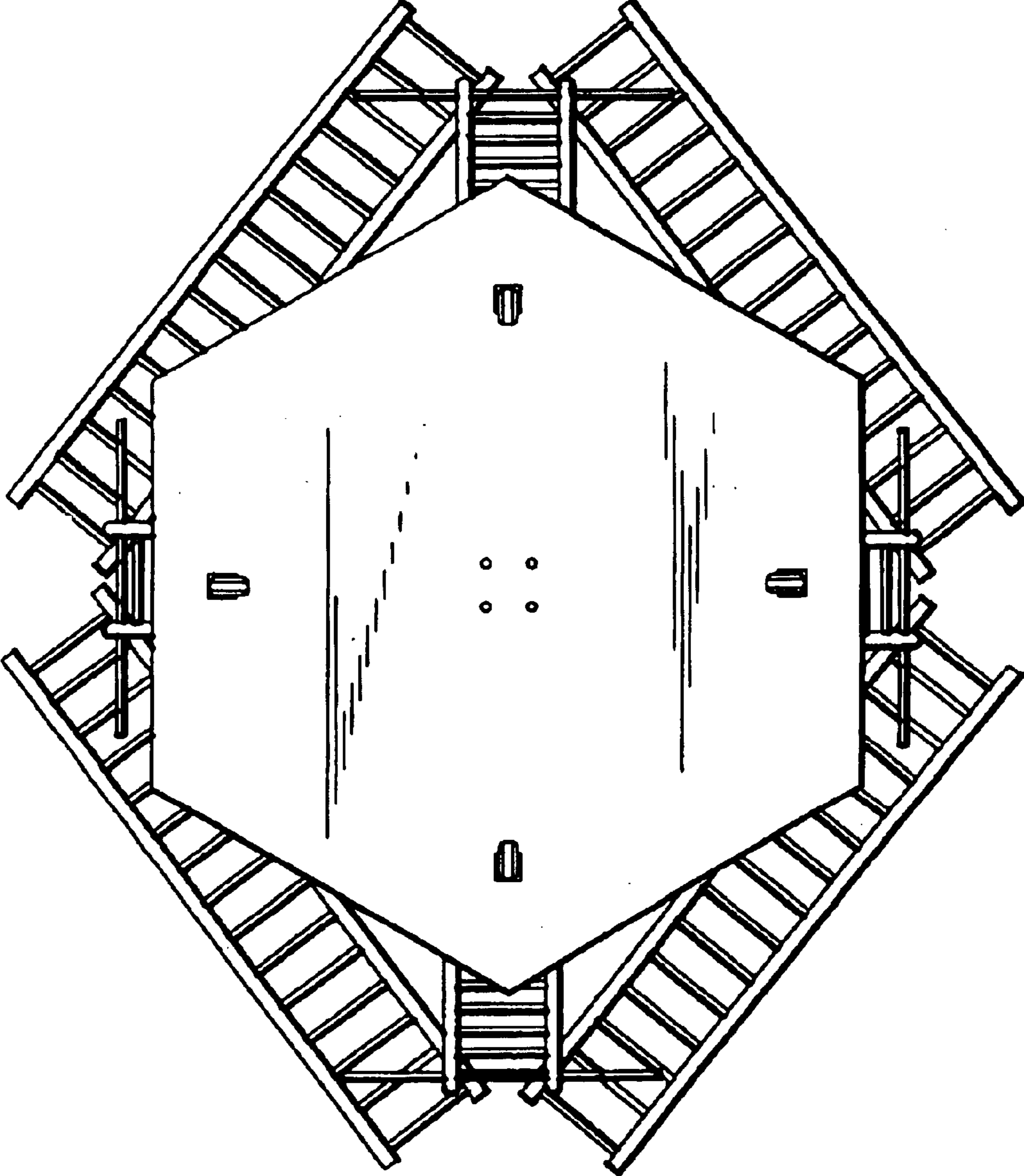


Fig. 7



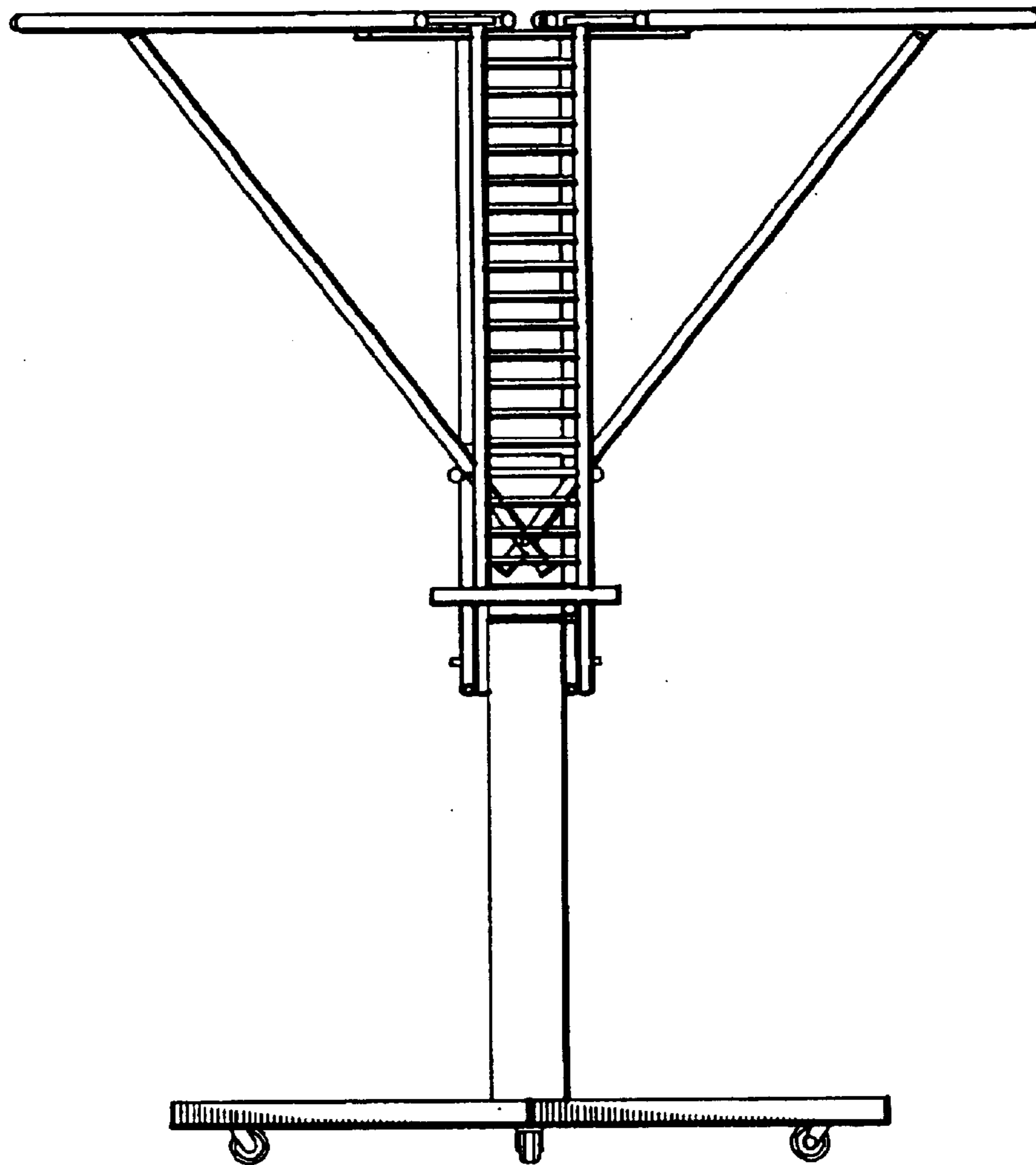


Fig. 8