

US00D512186S

(12) **United States Design Patent**  
**Kling**

(10) **Patent No.:** **US D512,186 S**

(45) **Date of Patent:** **\*\* Nov. 29, 2005**

(54) **ATTACHMENT FOR AN ELECTRIC SHAVER**

(75) **Inventor:** **Björn Kling, Königstein (DE)**

(73) **Assignee:** **Braun GmbH, Kronberg (DE)**

(\*\*) **Term:** **14 Years**

(21) **Appl. No.:** **29/217,919**

(22) **Filed:** **Nov. 23, 2004**

(30) **Foreign Application Priority Data**

May 28, 2004 (DE) ..... 4 04 03 272

(51) **LOC (8) Cl.** ..... **28-03**

(52) **U.S. Cl.** ..... **D28/54; D28/47**

(58) **Field of Search** ..... **D28/49-54; 30/32,**  
**30/34.05, 34.1, 34.2, 41, 537, 538, 539**

(56) **References Cited**

**U.S. PATENT DOCUMENTS**

6,886,254 B1 \* 5/2005 Pennella ..... 30/41

2004/0010918 A1 \* 1/2004 Orloff et al. .... 30/41  
2004/0177510 A1 \* 9/2004 Pennella ..... 30/41  
2005/0015990 A1 \* 1/2005 Barone et al. .... 30/41

\* cited by examiner

*Primary Examiner*—Jennifer Rivard

(74) *Attorney, Agent, or Firm*—Fish & Richardson P.C.

(57) **CLAIM**

The ornamental design for an attachment for an electric shaver, as shown and described.

**DESCRIPTION**

FIG. 1 is a perspective front elevational view of an attachment of an electric shaver from above, showing my design; FIG. 2 is a top plan view of the appliance; FIG. 3 is a front view thereof; FIG. 4 is a left side view thereof; FIG. 5 is a right view thereof; FIG. 6 is a rear side view thereof; and, FIG. 7 is a bottom plan view thereof.

**1 Claim, 2 Drawing Sheets**

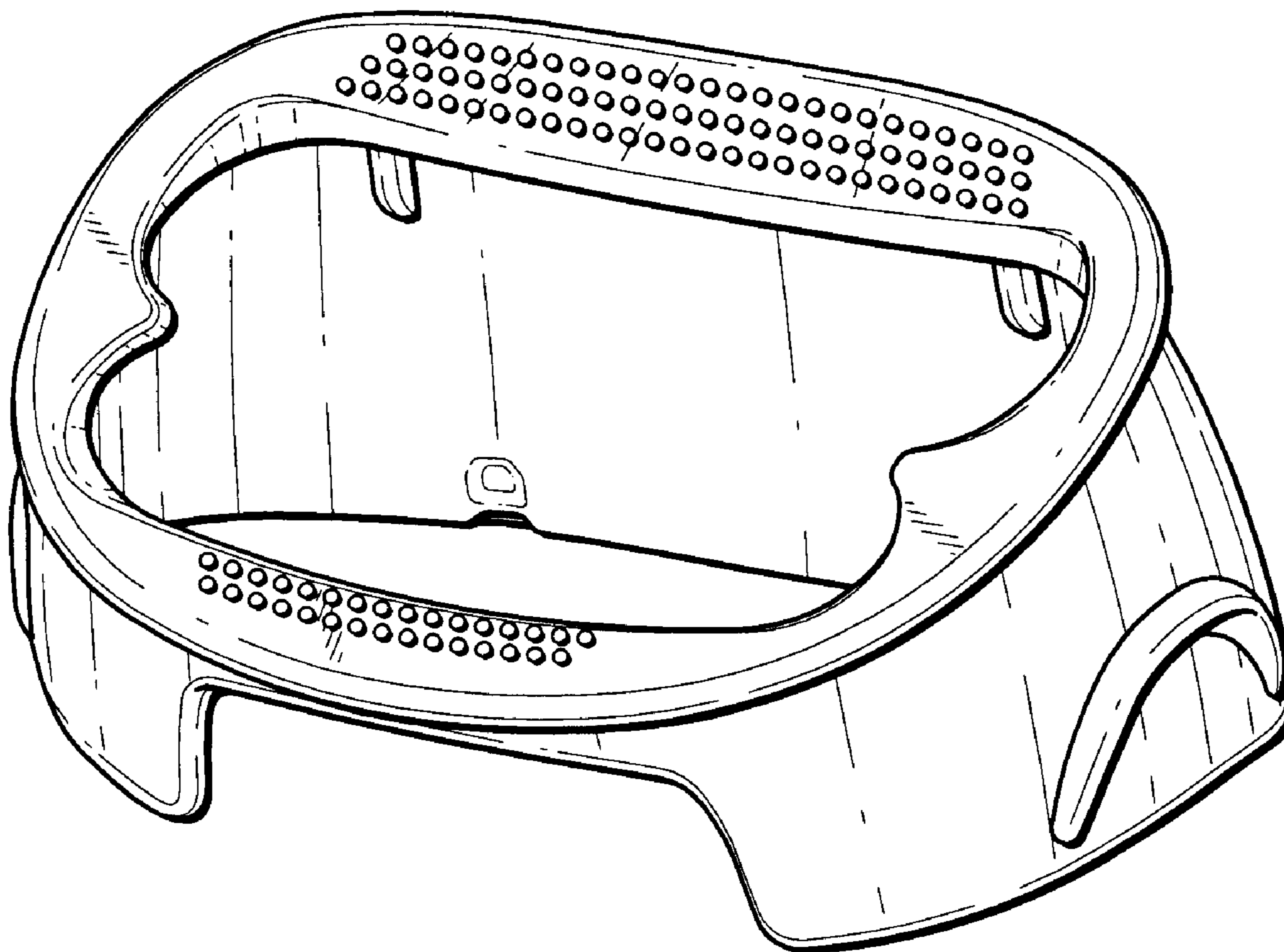


Fig. 1

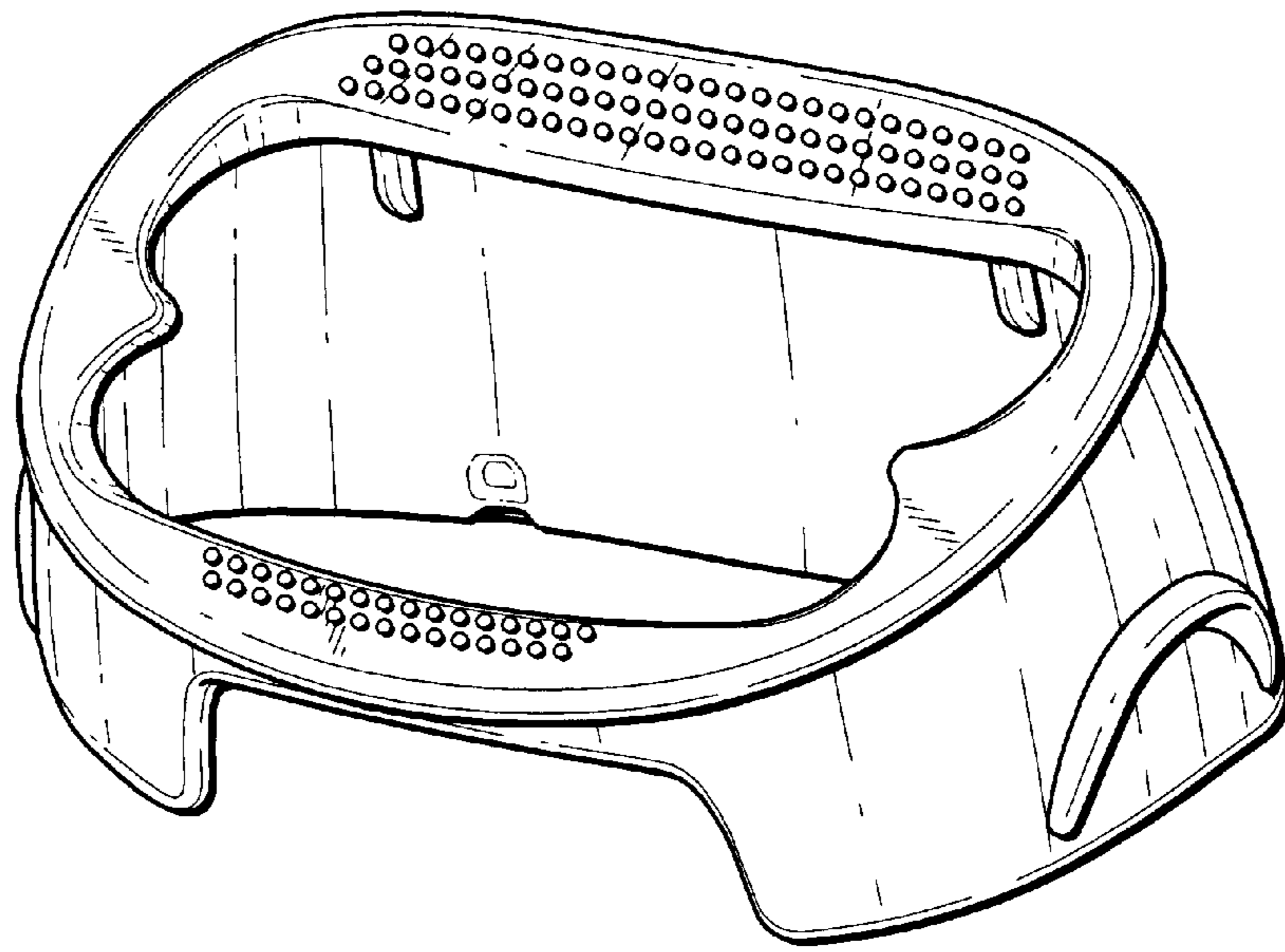


Fig. 2

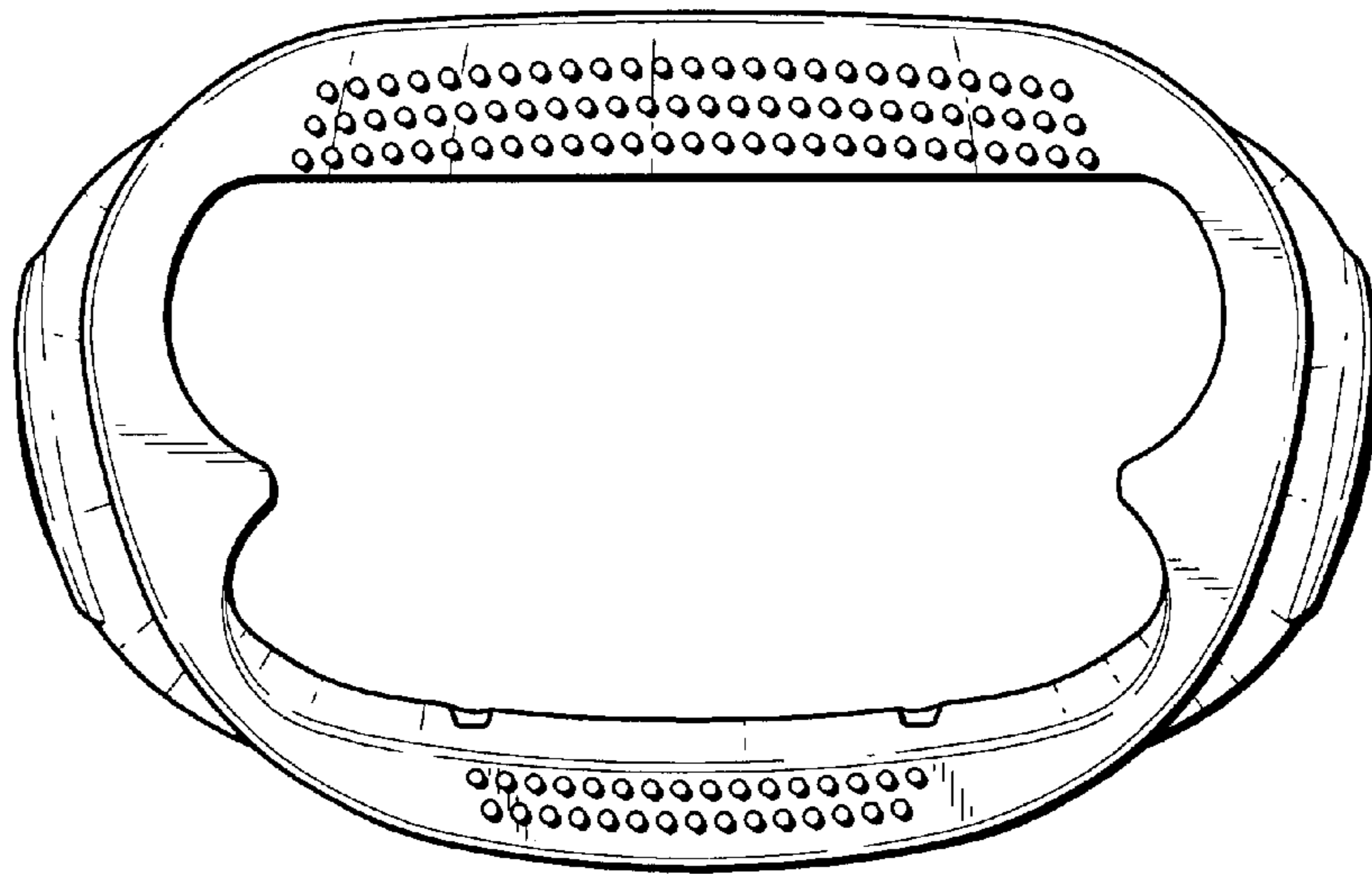
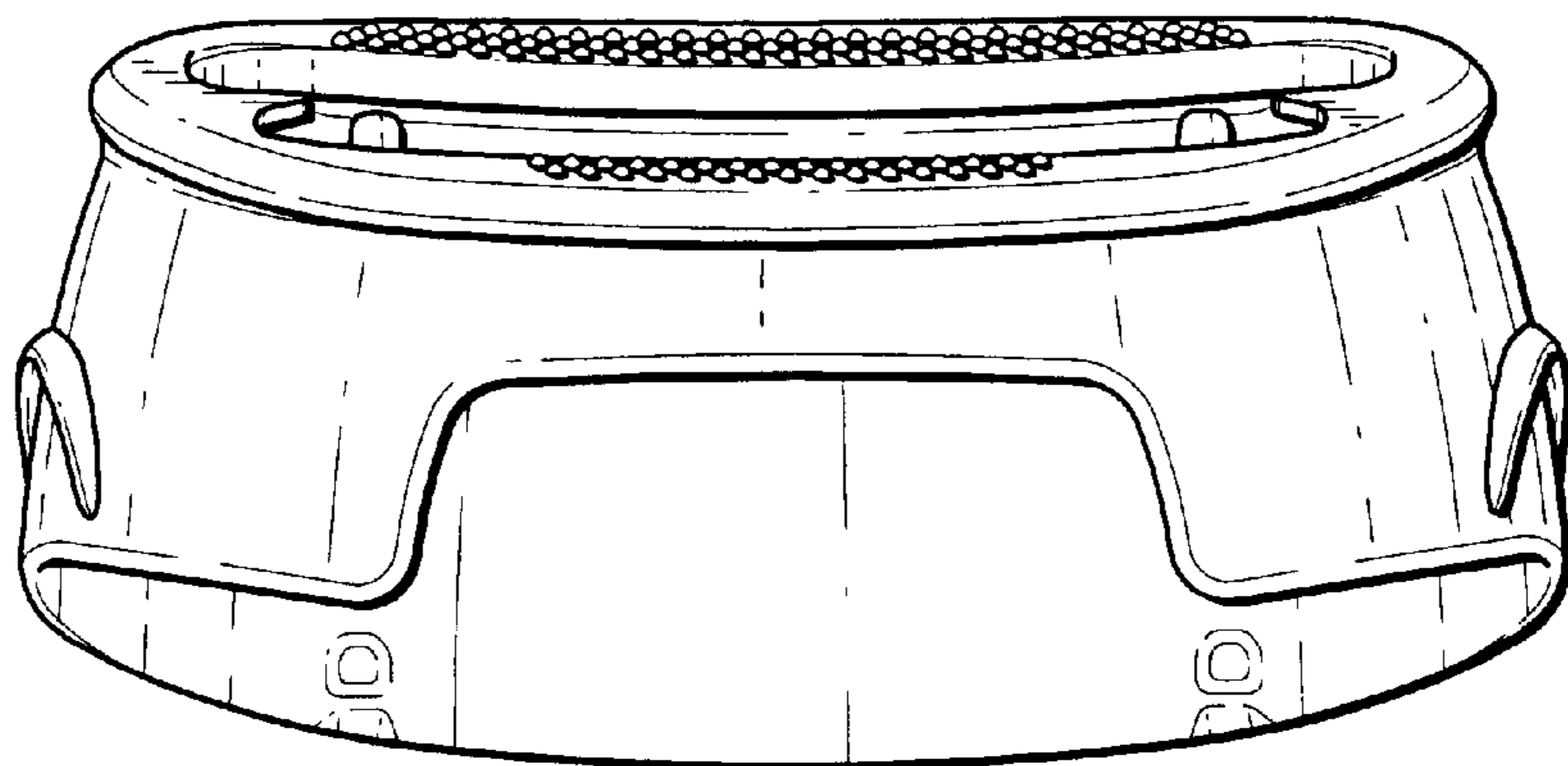
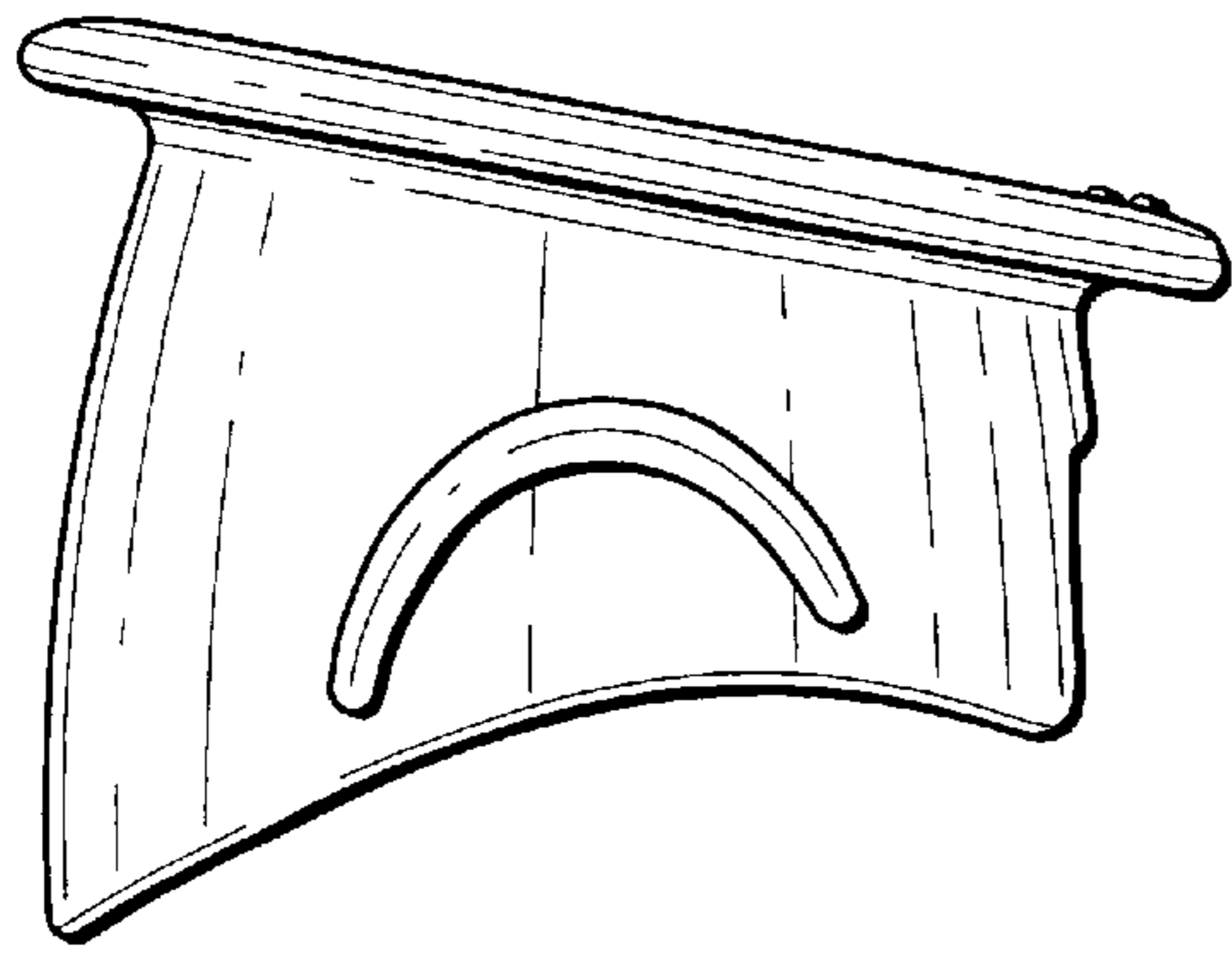
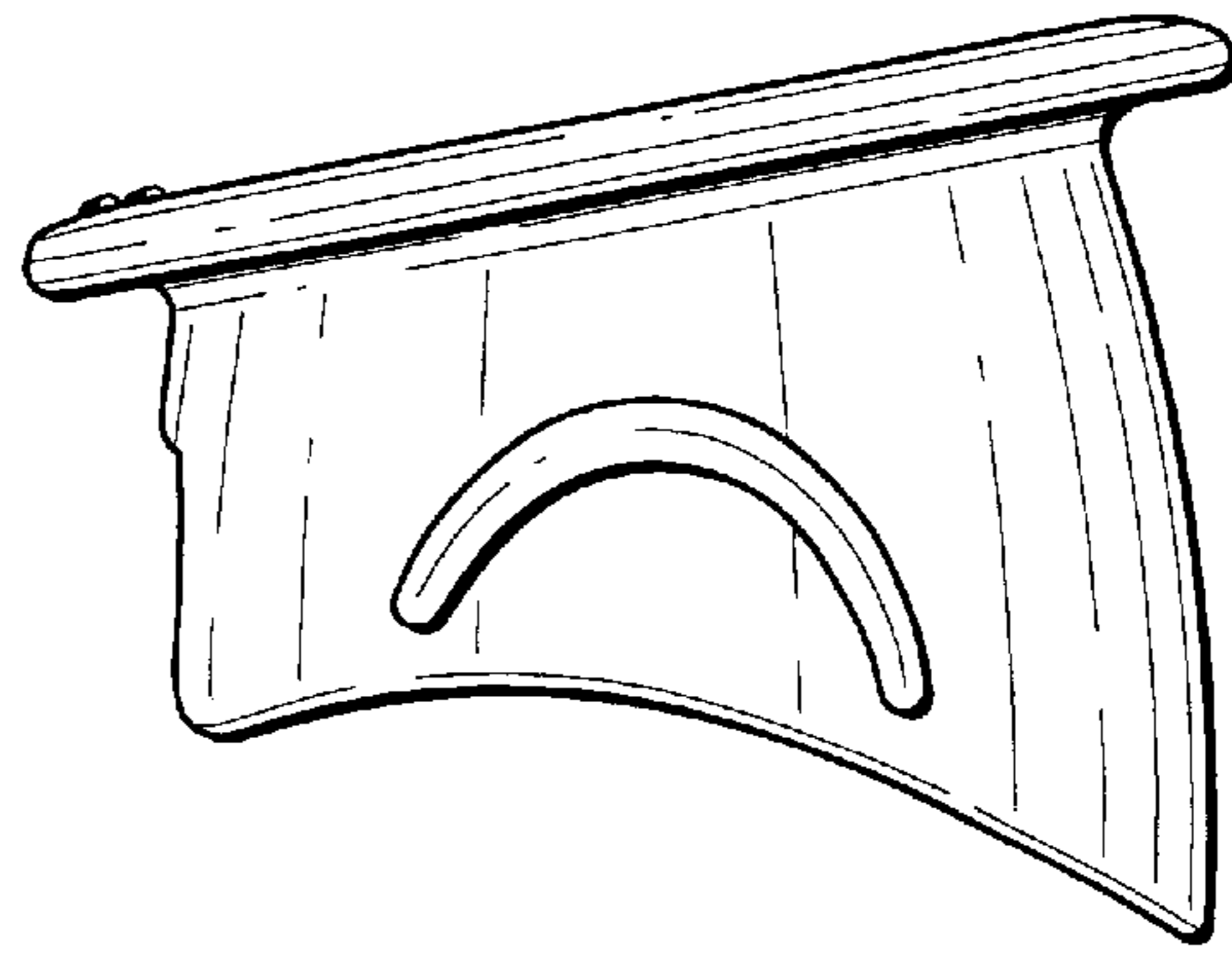


Fig. 3

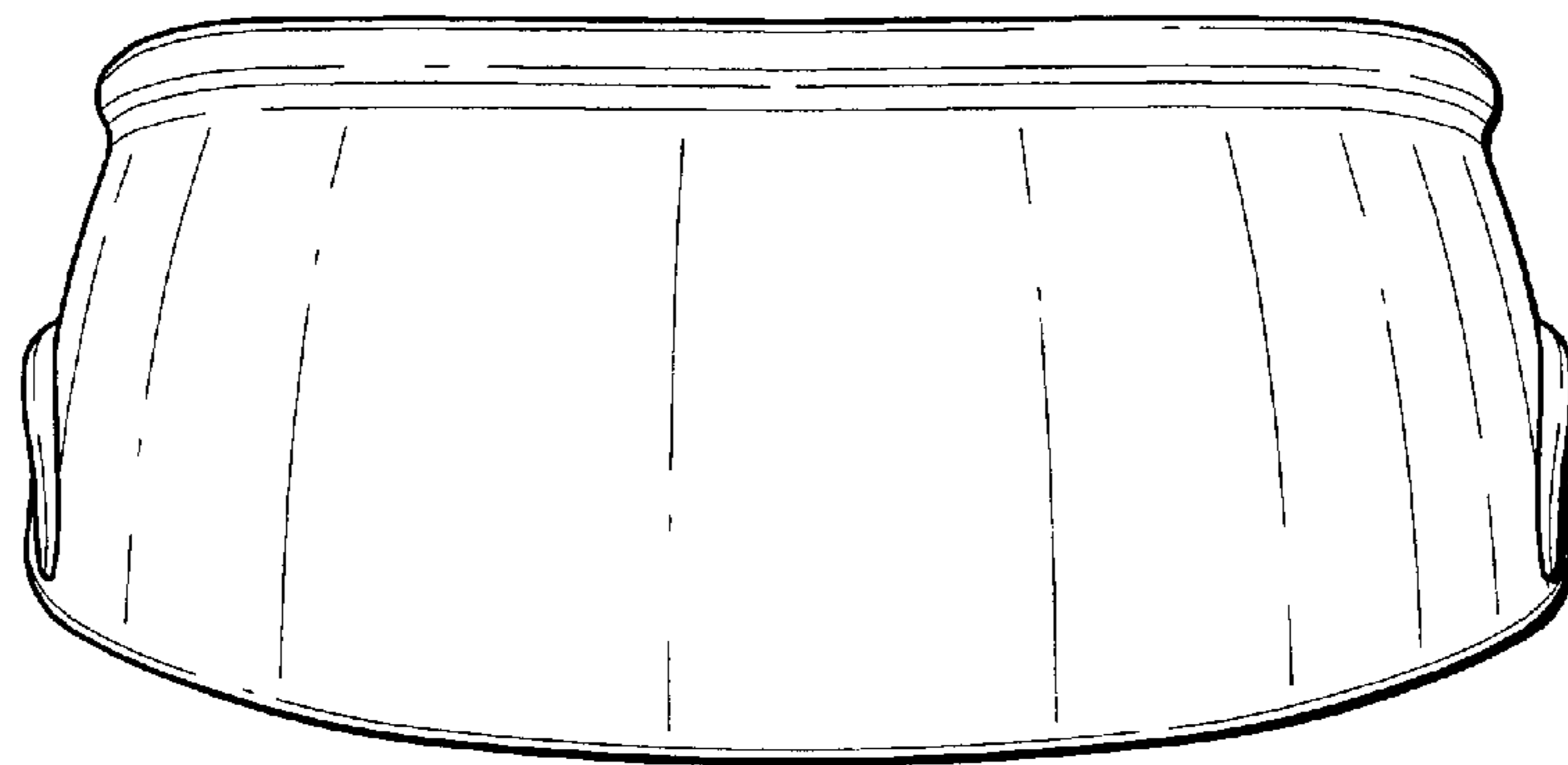




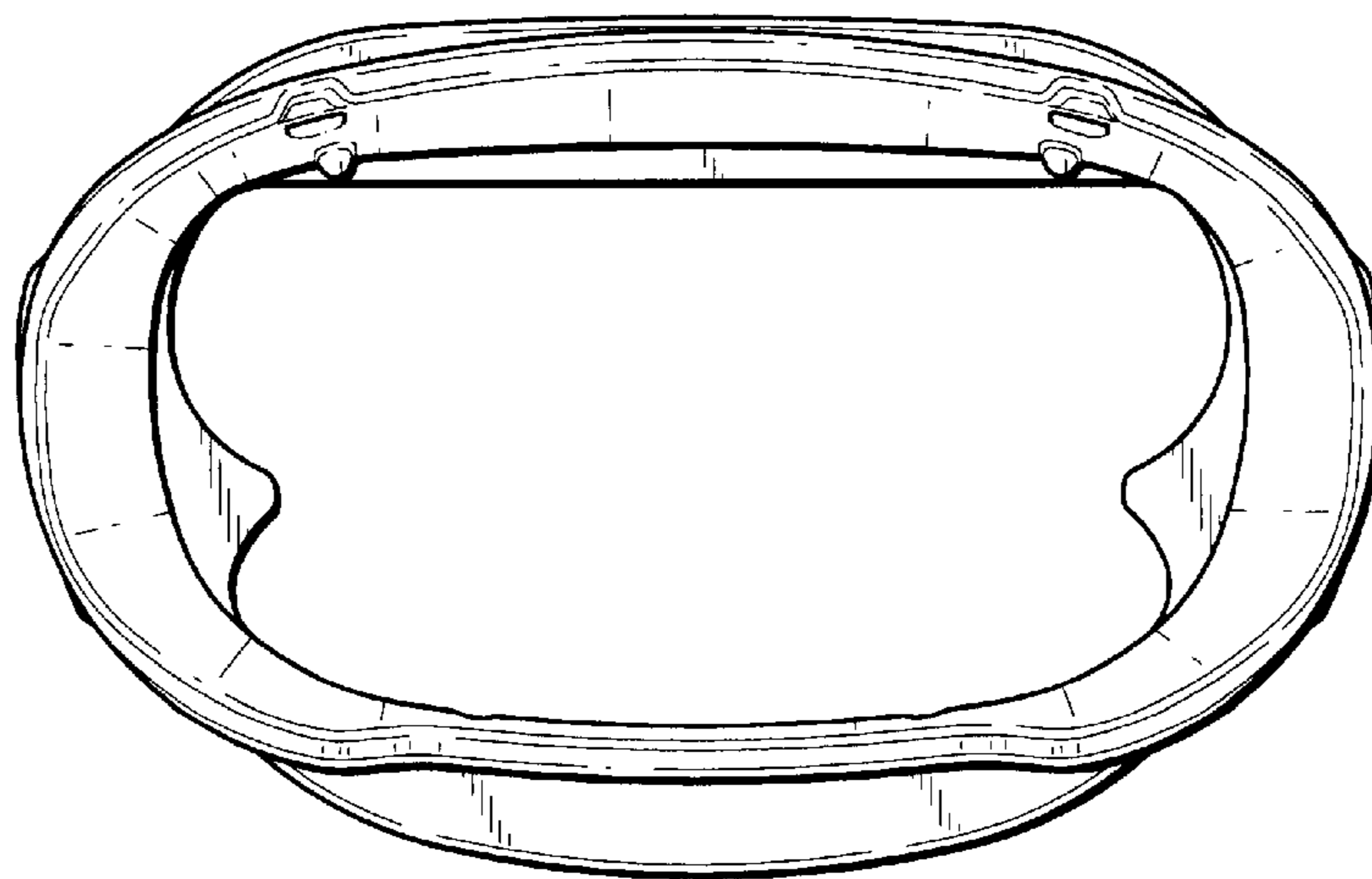
**Fig. 4**



**Fig. 5**



**Fig. 6**



**Fig. 7**