



US00D512184S

(12) **United States Design Patent**
Akahori

(10) **Patent No.:** **US D512,184 S**

(45) **Date of Patent:** **** Nov. 29, 2005**

(54) **ELECTRIC HAIR CLIPPER**

(75) Inventor: **Yasuhiro Akahori, Tokyo (JP)**

(73) Assignee: **Matsushita Electric Works, Ltd.,
Osaka (JP)**

(**) Term: **14 Years**

(21) Appl. No.: **29/207,700**

(22) Filed: **Jun. 16, 2004**

(30) **Foreign Application Priority Data**

Dec. 25, 2003 (JP) 2003-038377

(51) **LOC (8) Cl.** **28-03**

(52) **U.S. Cl.** **D28/53**

(58) **Field of Search** D28/49-54; 30/32,
30/34.05, 34.1, 34.2, 35, 41.9, 43, 43.1-43.9,
43.91, 43.92, 42, 44-46, 527, 196, 201,
233, 233.5

(56) **References Cited**

U.S. PATENT DOCUMENTS

D454,978 S * 3/2002 Hoffman et al. D28/53

D479,363 S * 9/2003 Micinilio D28/53
D499,844 S * 12/2004 Muramatsu D28/53

* cited by examiner

Primary Examiner—Jennifer Rivard
(74) *Attorney, Agent, or Firm*—J.C. Patents

(57) **CLAIM**

The ornamental design for an electric hair clipper, as shown and described.

DESCRIPTION

FIG. 1 is a top, front, and right side perspective view of an electric hair clipper showing the new design.

FIG. 2 is a front elevational view thereof.

FIG. 3 is a rear elevational view thereof.

FIG. 4 is a left side elevational view thereof.

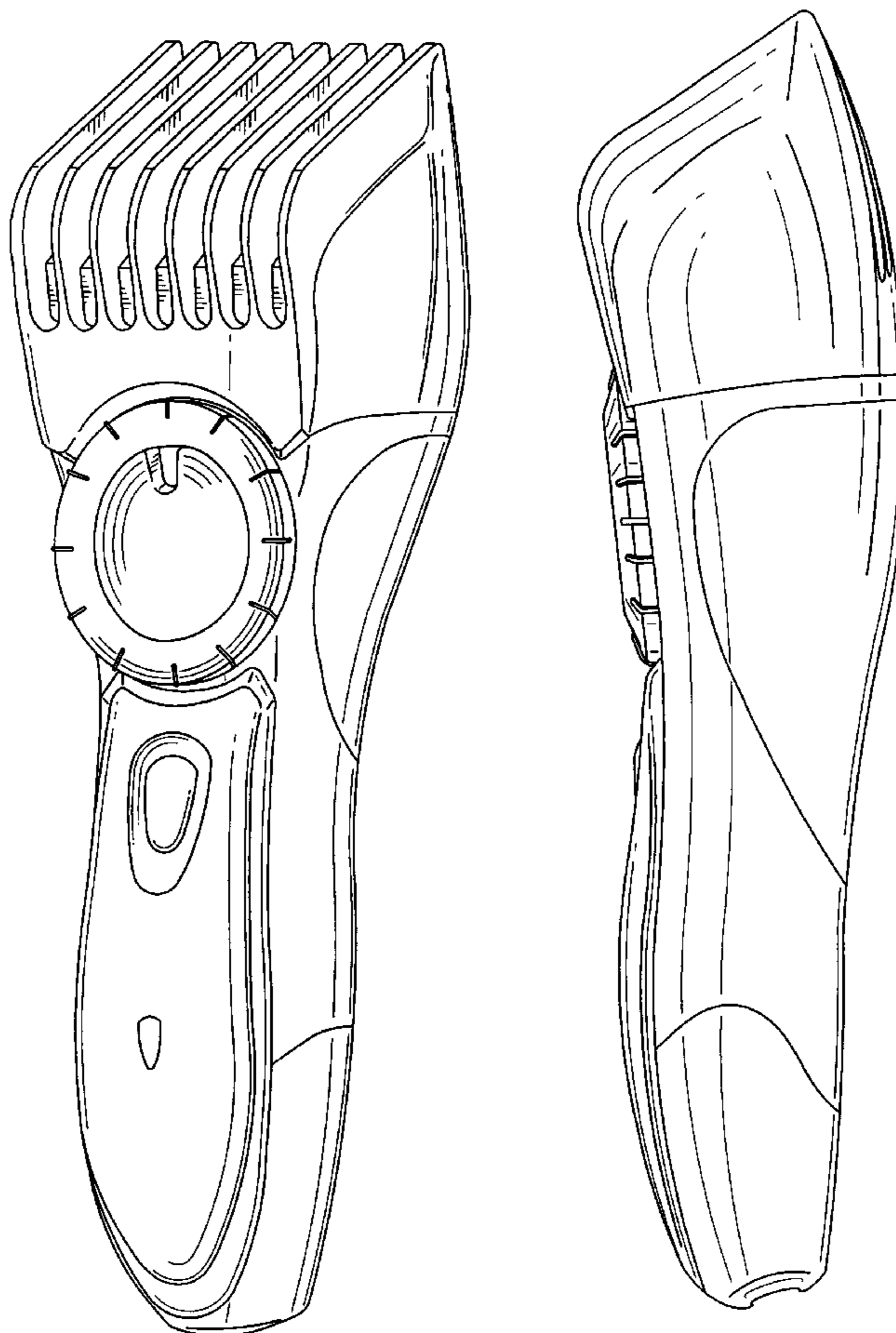
FIG. 5 is a right side elevational view thereof.

FIG. 6 is a top plan view thereof.

FIG. 7 is a bottom plan view thereof; and,

FIG. 8 is a top, rear, and left side perspective view thereof.

1 Claim, 7 Drawing Sheets



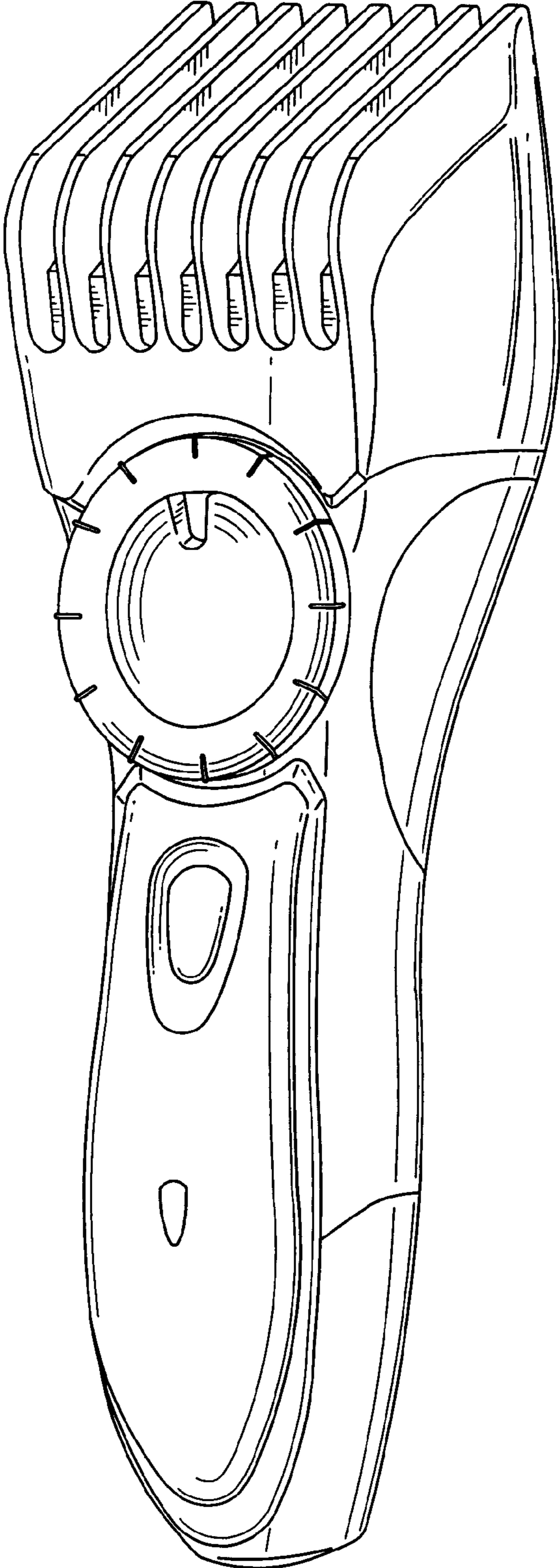


FIG. 1

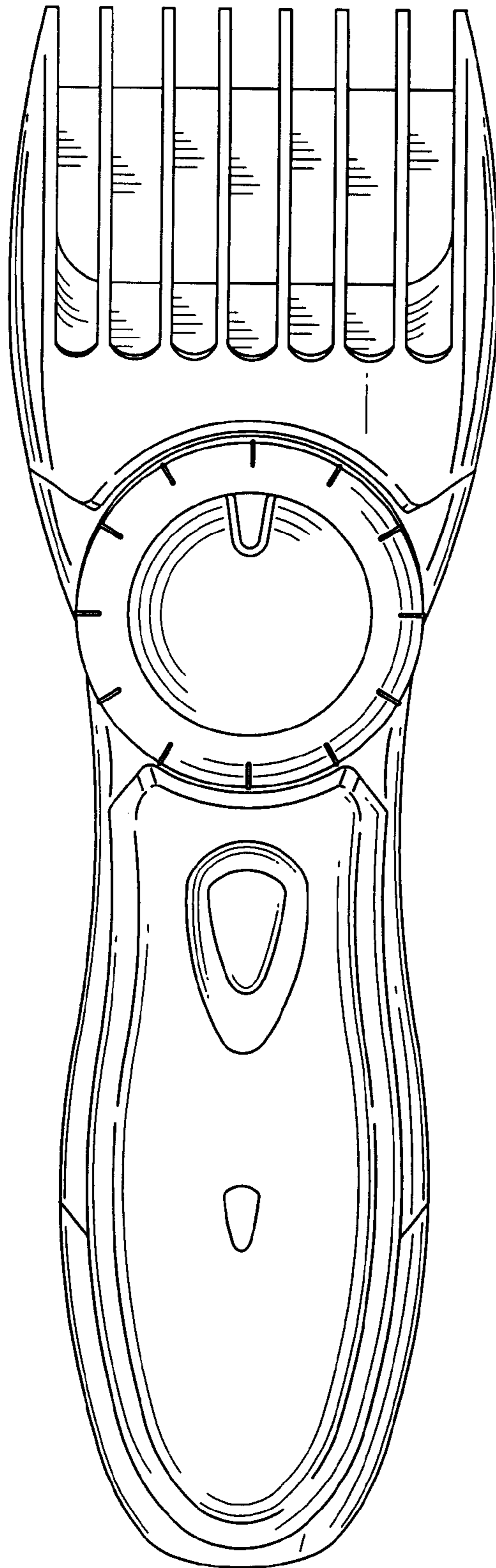


FIG. 2

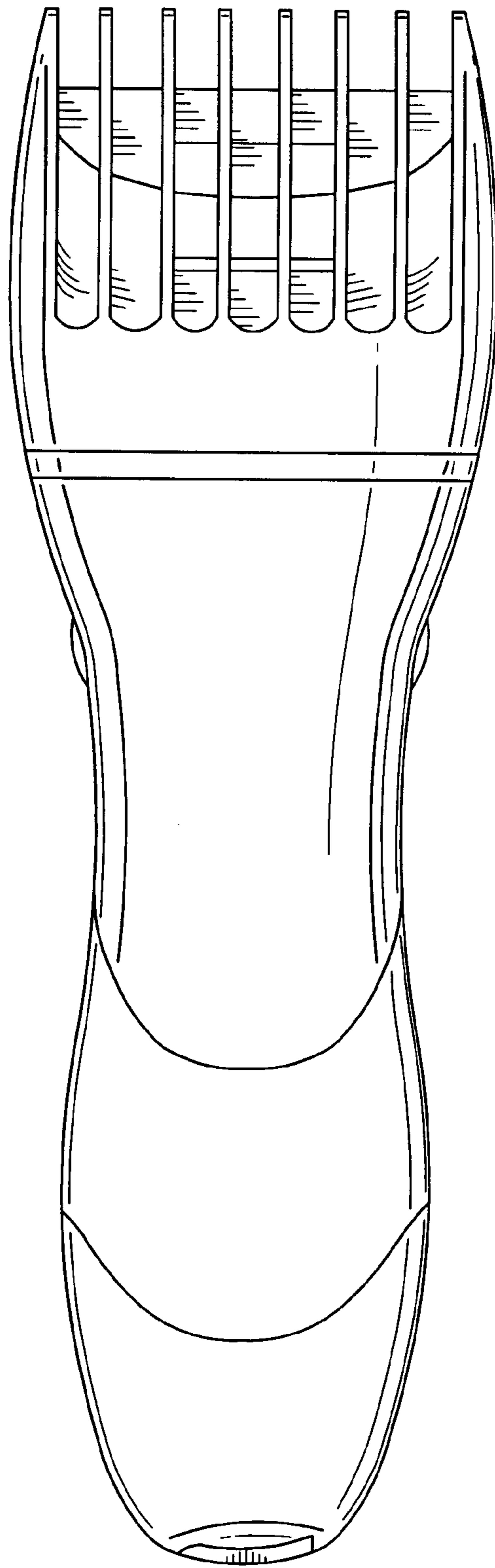


FIG. 3

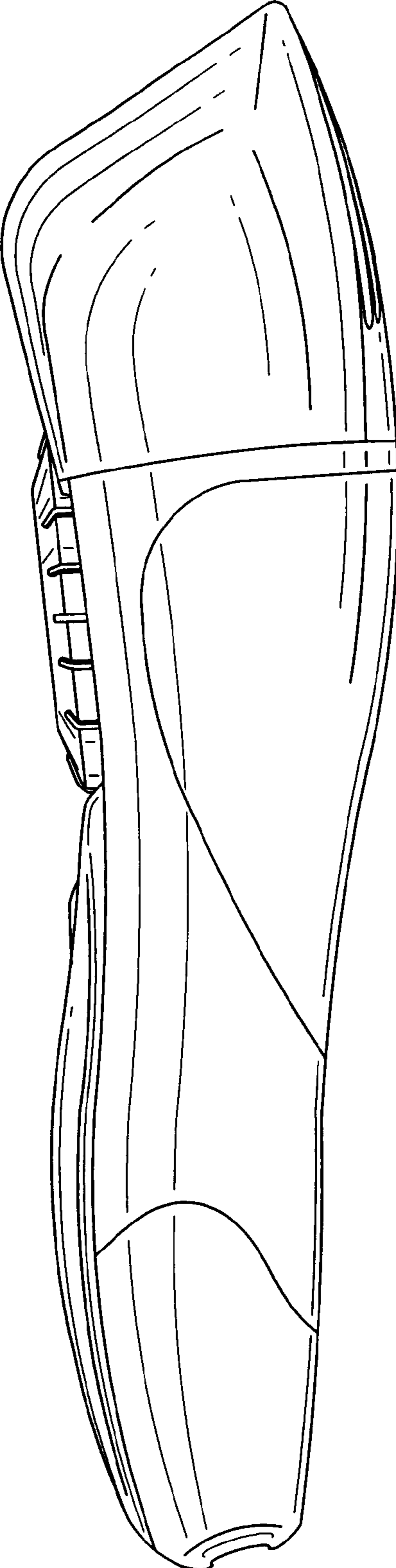


FIG. 4

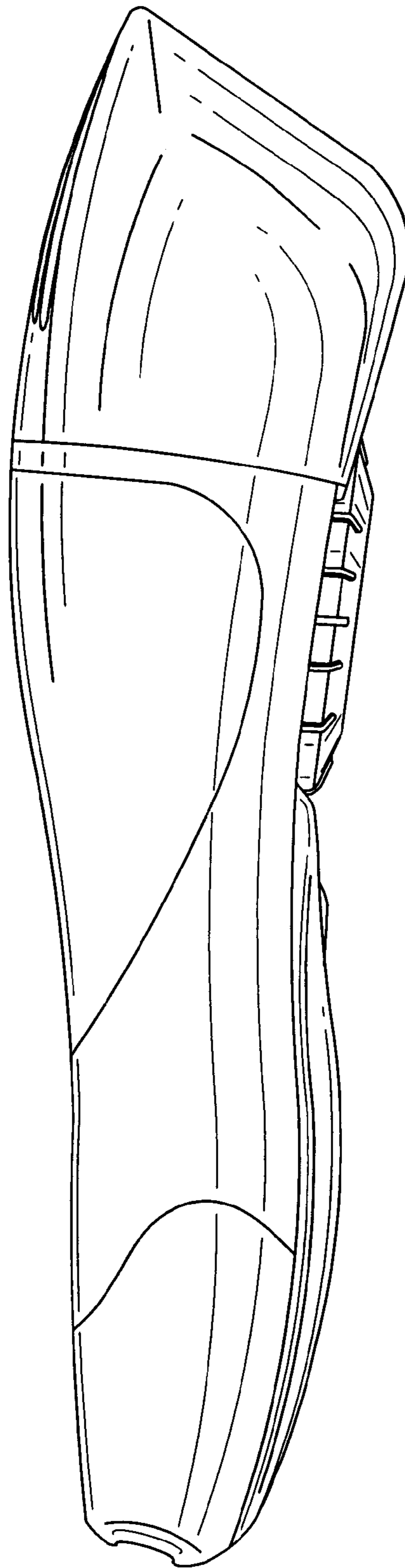


FIG. 5

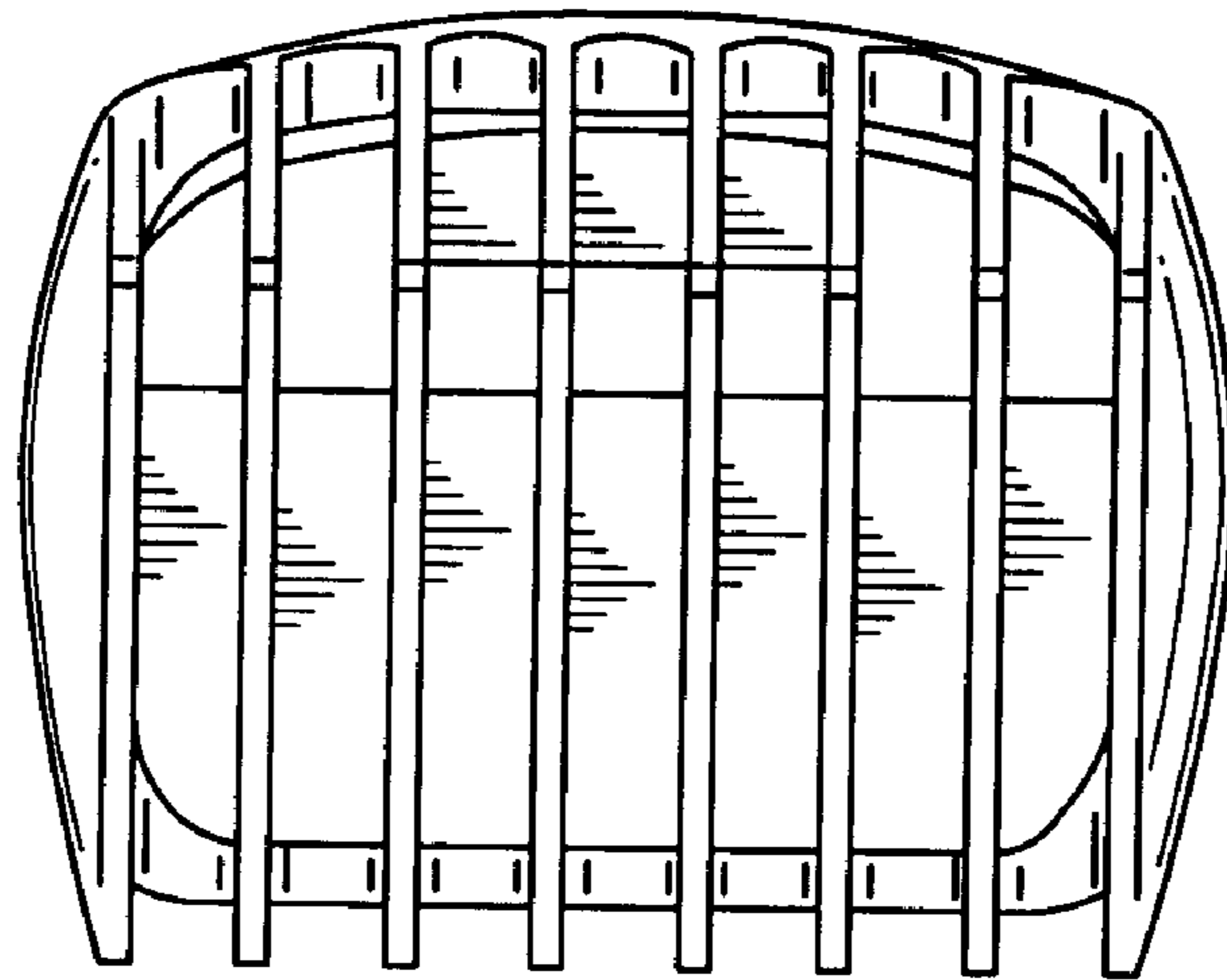


FIG. 6

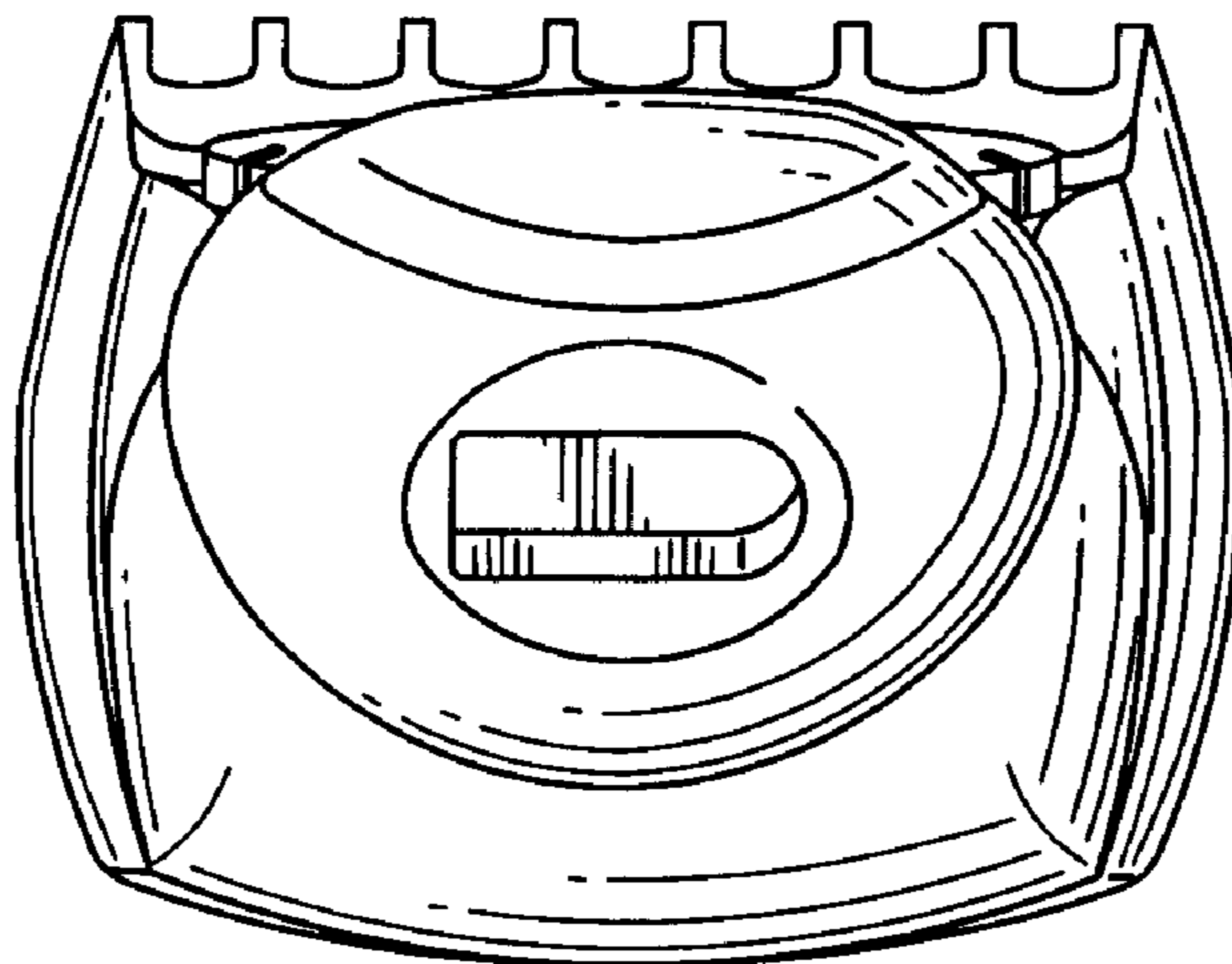


FIG. 7

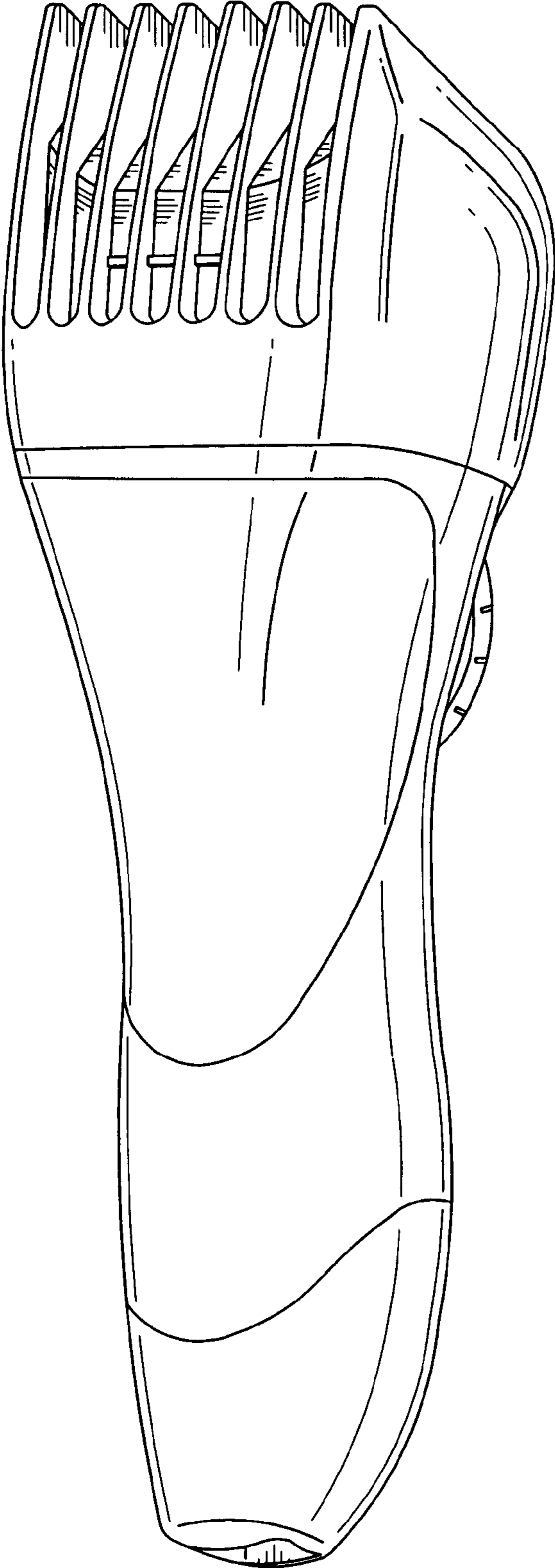


FIG. 8