



US00D512177S

(12) **United States Design Patent** (10) **Patent No.:** **US D512,177 S**
Porter (45) **Date of Patent:** **** Nov. 29, 2005**

(54) **LIGHTING FIXTURE**
(75) Inventor: **David H. Porter**, Monticello, WI (US)
(73) Assignee: **Kichler Lighting**, Cleveland, OH (US)
(**) Term: **14 Years**
(21) Appl. No.: **29/214,748**
(22) Filed: **Oct. 7, 2004**

Related U.S. Application Data

(63) Continuation of application No. 29/143,920, filed on Jun. 21, 2001.
(51) **LOC (8) Cl.** **26-99**
(52) **U.S. Cl.** **D26/155**
(58) **Field of Search** D26/72, 80-92,
D26/113, 138, 142-145, 155; 362/147,
404-408, 432

References Cited

U.S. PATENT DOCUMENTS

D41,378 S * 5/1911 Guth D26/144
D493,568 S * 7/2004 Parres D26/143
D499,507 S * 12/2004 Parres D26/143
D501,058 S * 1/2005 Parres D26/80
D501,269 S * 1/2005 Parres D26/80
D501,270 S * 1/2005 Lee D26/86

OTHER PUBLICATIONS

Taiwan Lighting, Nov. 2001, p. 82, item #BT-ML01.
Home Lighting and Accessories. Jun. 2001, p. 13, lighting fixture in center photograph.

Taiwan Lighting, Jan. 2002, p. 125, item #ML-107 and item #ML-103.
<http://lampsplus.com>, 30" contemporary bathbar #57989 and 9"W Contemporary Pool Table Chandelier #57986 dated Jan. 23, 2003.

* cited by examiner

Primary Examiner—Clare E Heflin
(74) *Attorney, Agent, or Firm*—Calfee, Halter & Griswold LLP

(57) **CLAIM**

I claim the ornamental design for a lighting fixture, as shown and described.

DESCRIPTION

This case is related to U.S. Patent application Ser. No. 29/214,747, filed herewith on Oct. 7, 2004, also entitled "Lighting Fixture".

FIG. 1 is a front elevation of the light fixture showing the new design;

FIG. 2 is a rear elevation thereof;

FIG. 3A is a right side elevation thereof;

FIG. 3B is a left side elevation thereof;

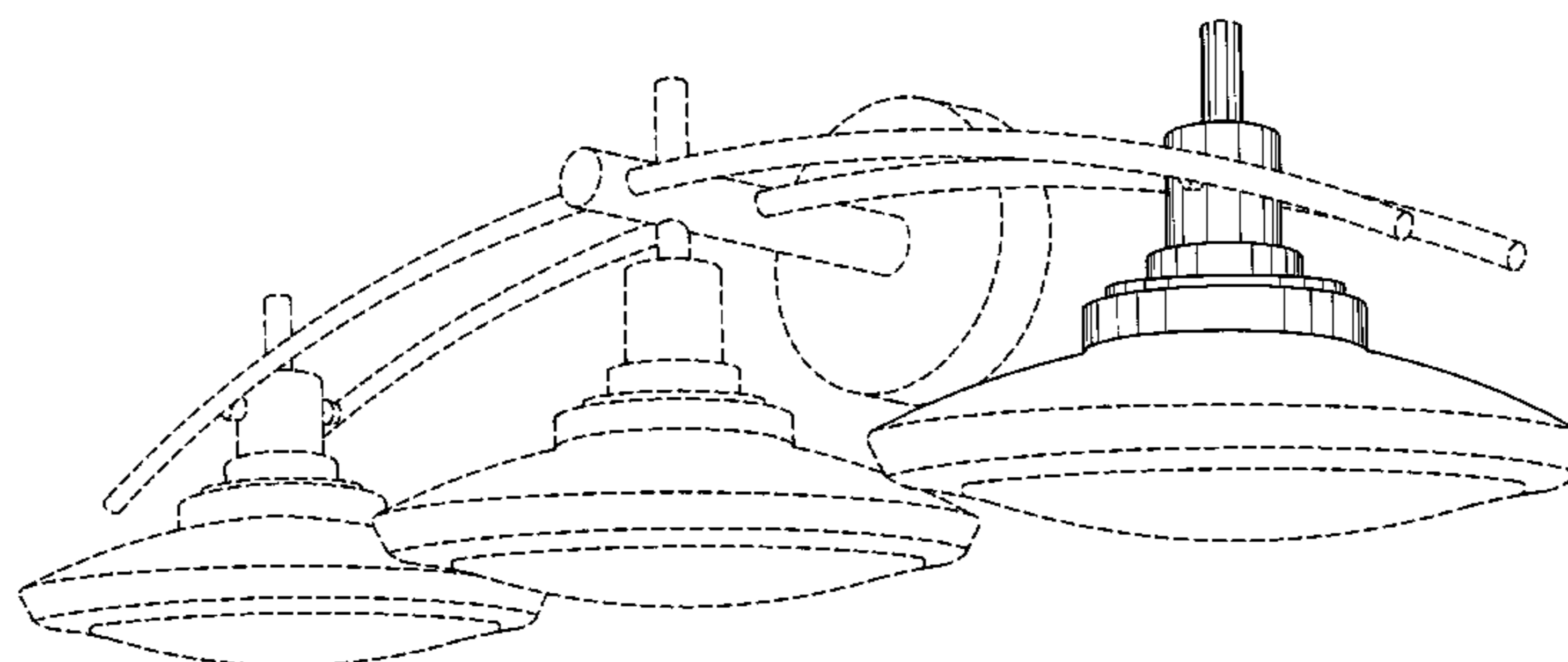
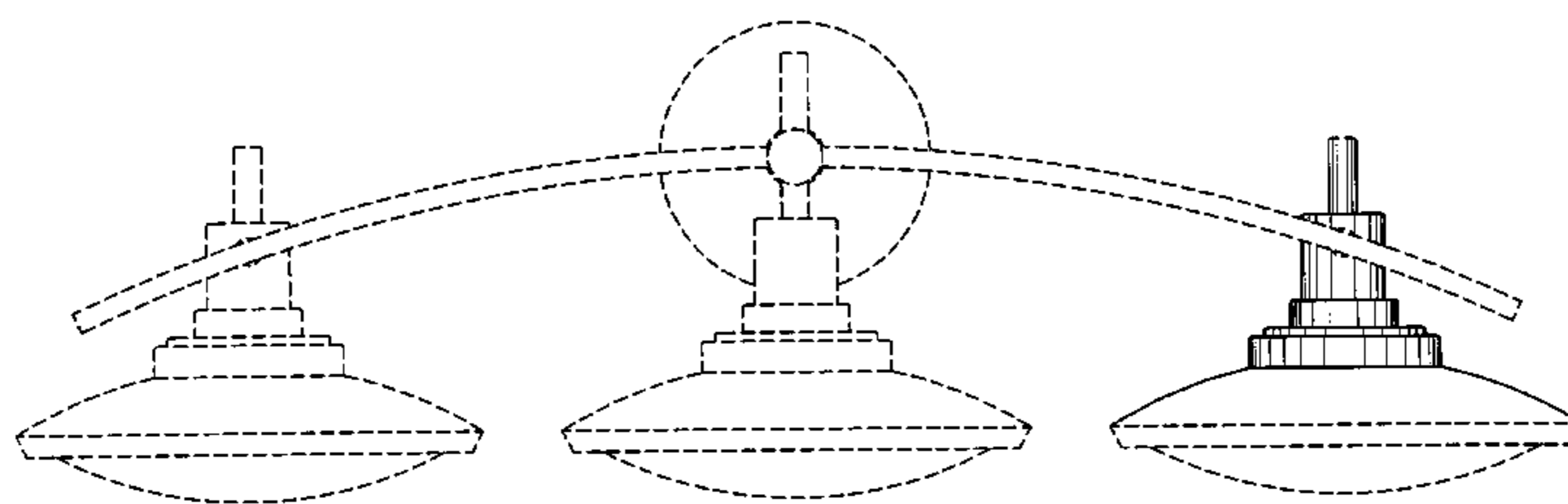
FIG. 4 is a top plan view thereof;

FIG. 5 is a bottom plan view thereof; and,

FIG. 6 is a perspective view thereof.

The broken lines immediately adjacent the shaded areas and the broken lines forming the lower boundary of the diffuser represent the bounds of the claimed design, while all other broken lines are directed to environment and are for illustrative purposes only; the broken lines form no part of the claimed design.

1 Claim, 6 Drawing Sheets



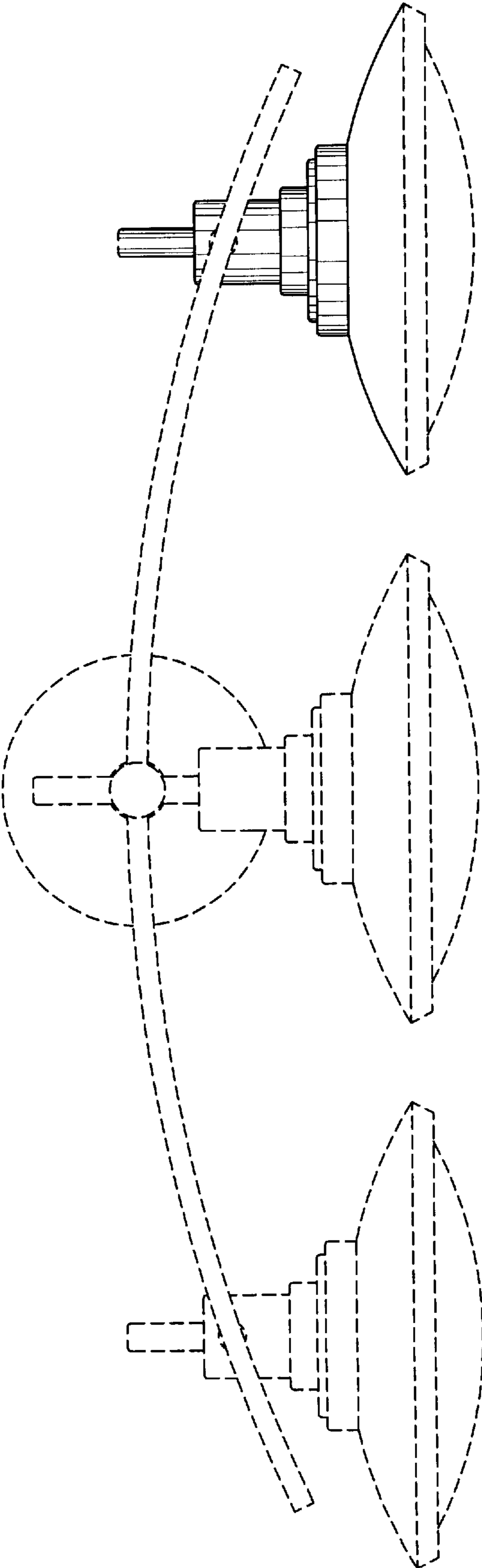


FIG. 1

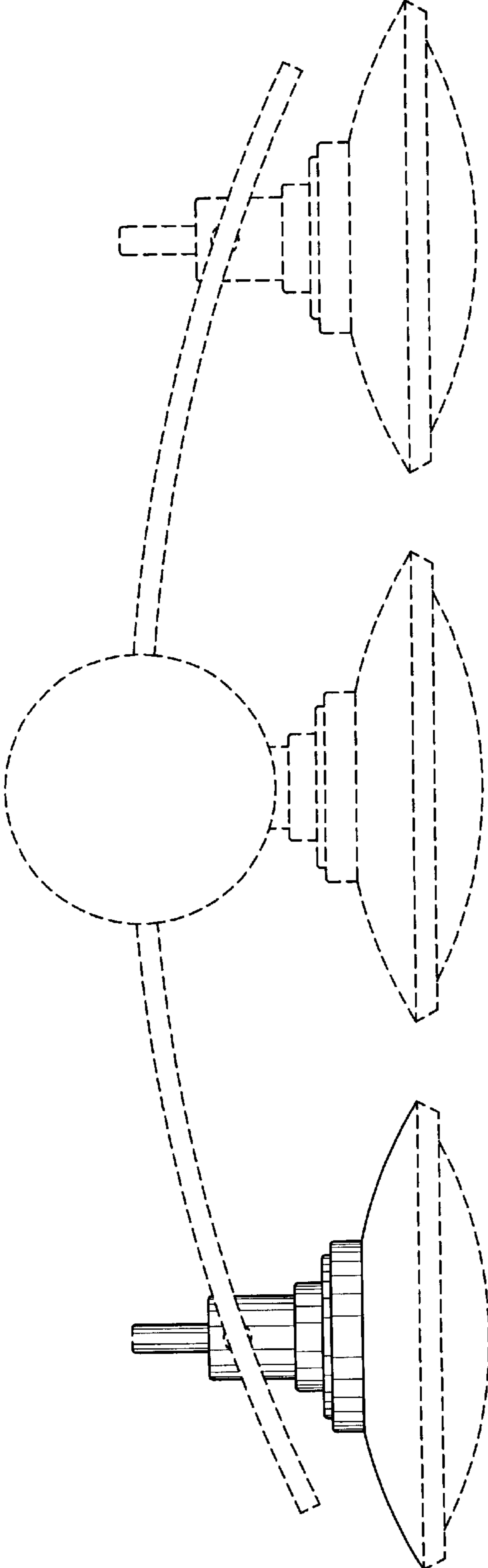


FIG.2

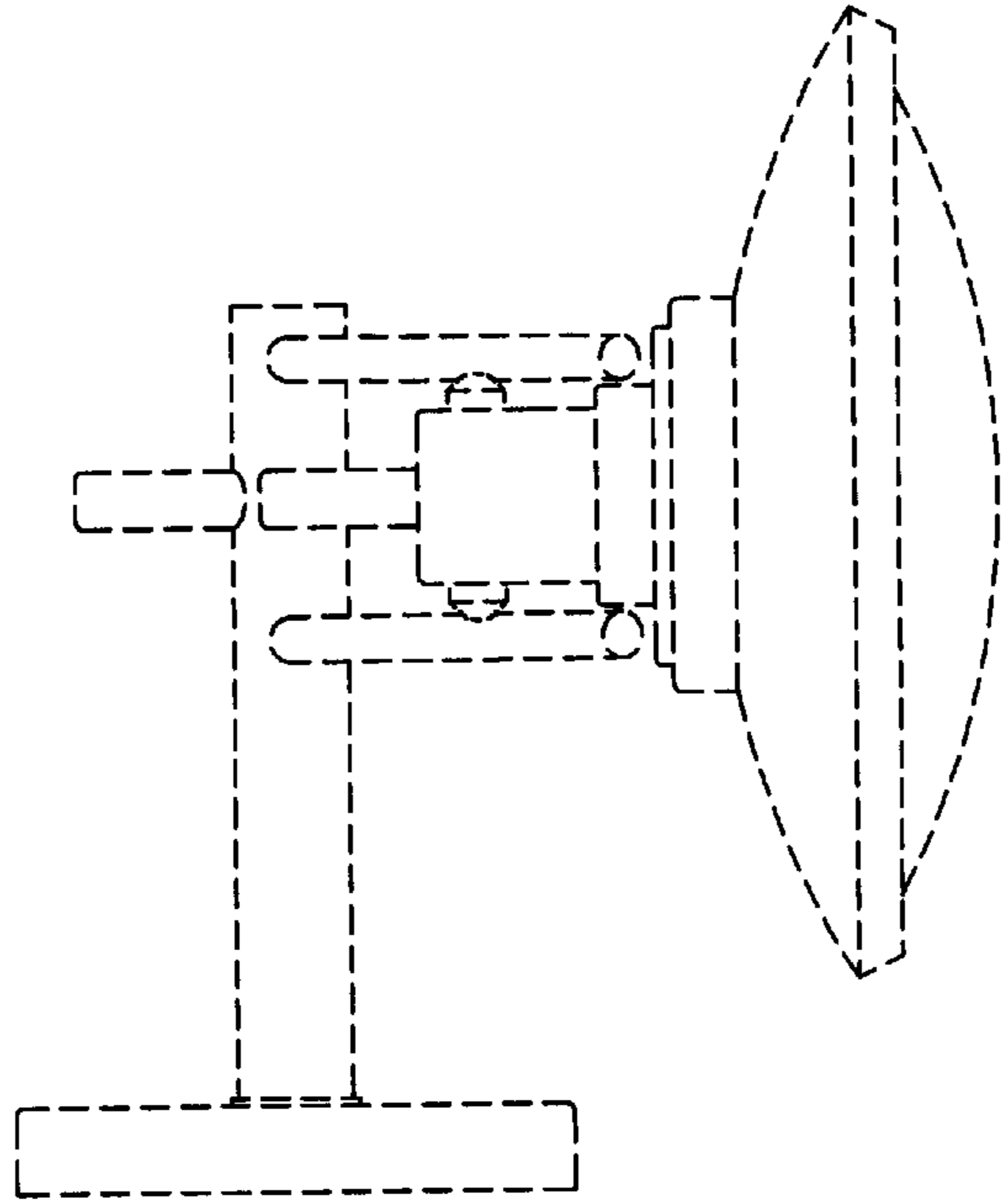


FIG. 3A

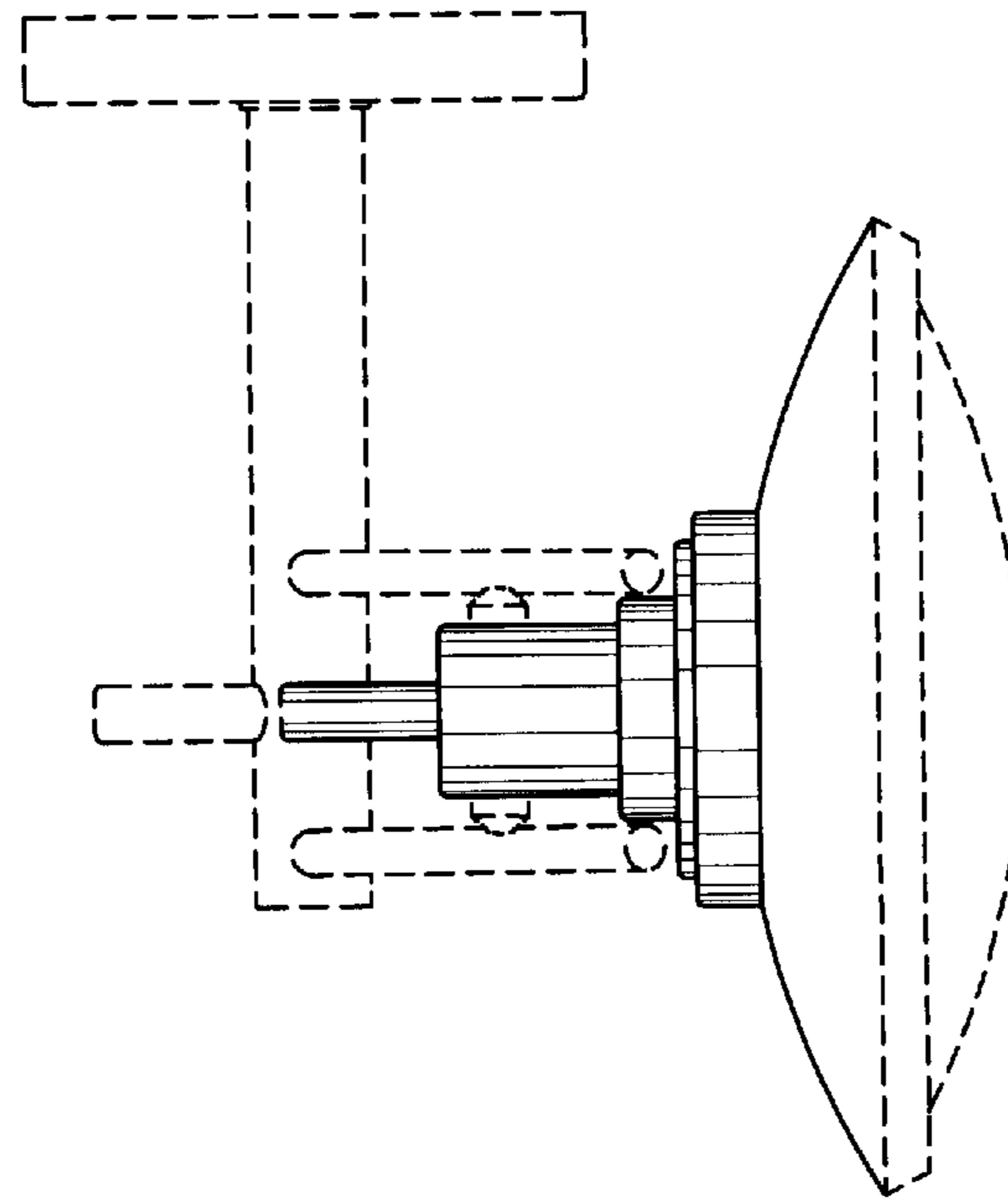


FIG. 3B

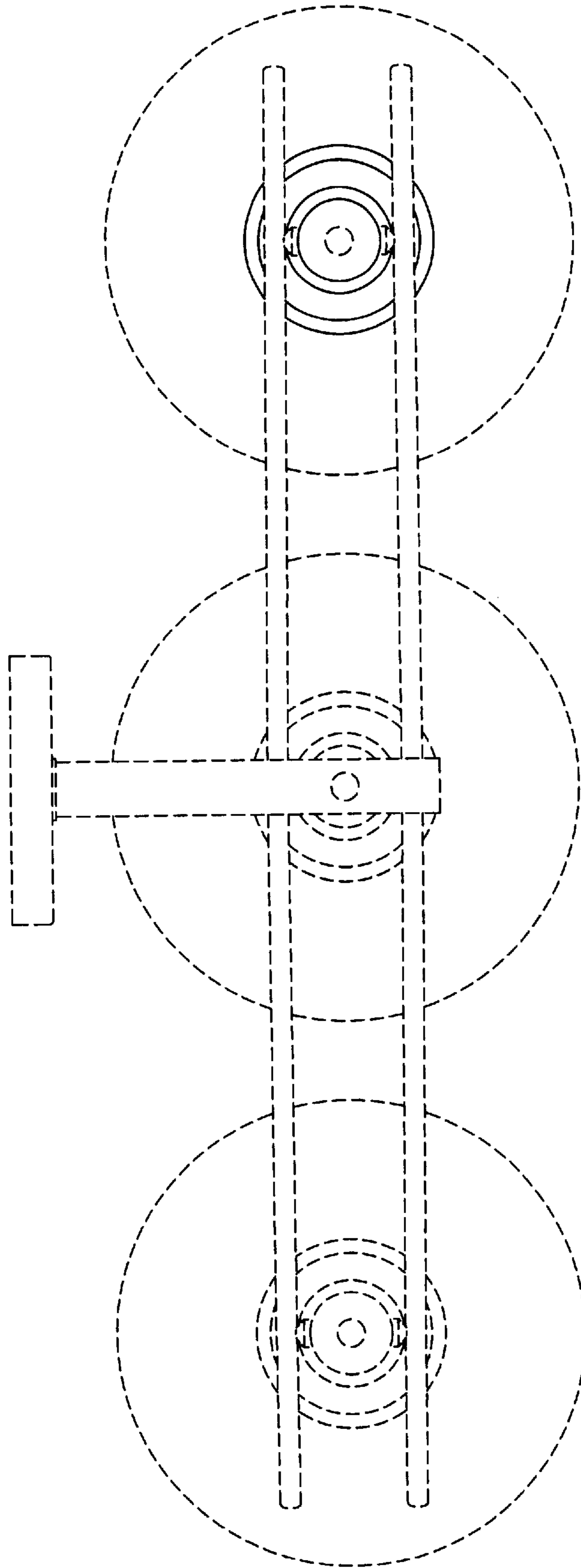


FIG. 4

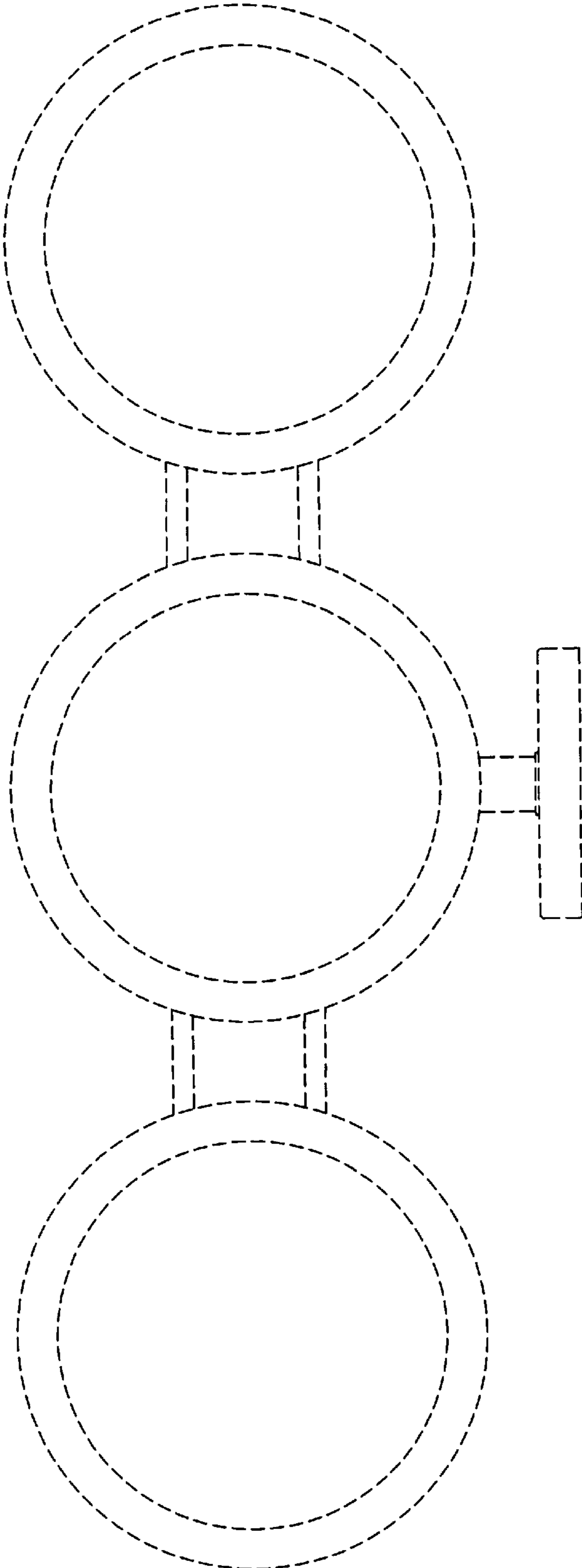


FIG. 5

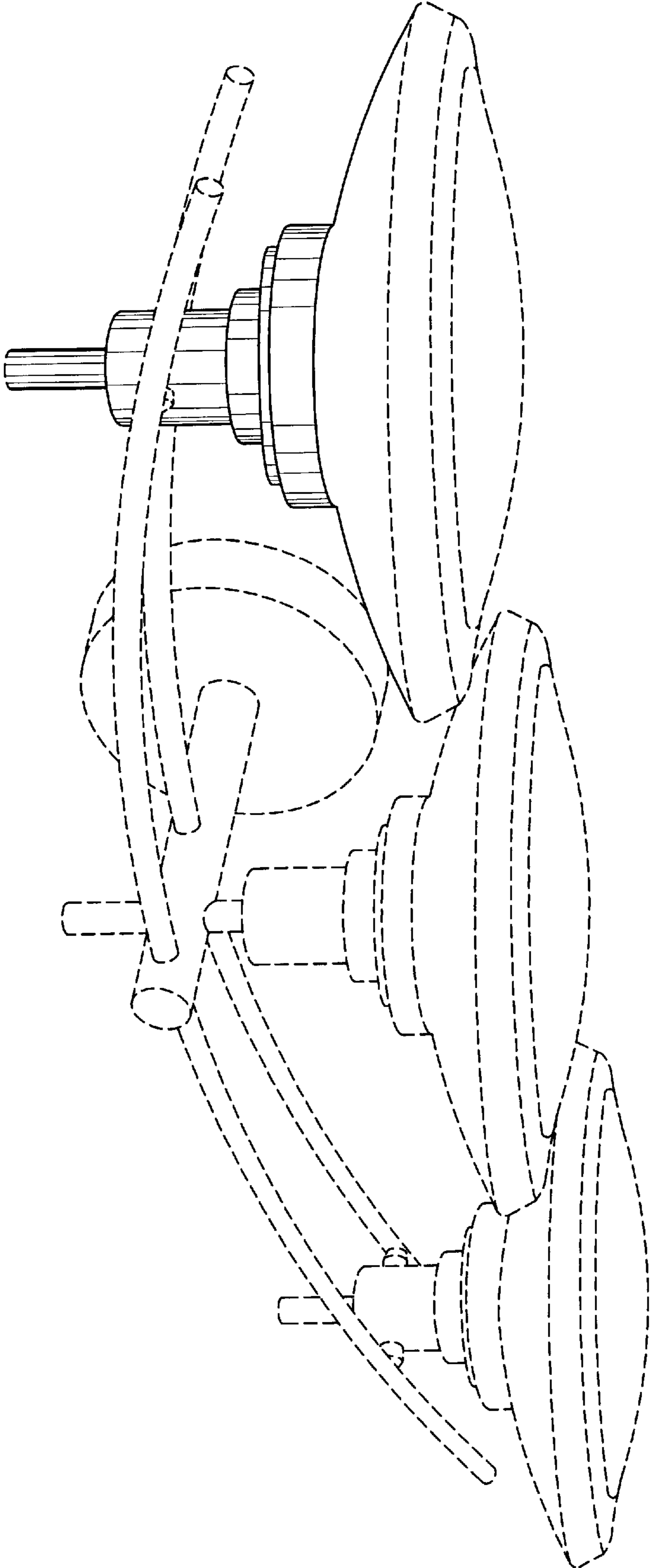


FIG. 6