



US00D512176S

(12) **United States Design Patent**  
**Flores**

(10) **Patent No.:** **US D512,176 S**

(45) **Date of Patent:** **\*\* Nov. 29, 2005**

(54) **LAMP HOUSING**

(75) **Inventor:** **Miguel Flores**, Riverside, CA (US)

(73) **Assignee:** **Minka Lighting, Inc.**, Corona, CA (US)

(\*\*) **Term:** **14 Years**

(21) **Appl. No.:** **29/216,783**

(22) **Filed:** **Nov. 9, 2004**

(51) **LOC (8) Cl.** ..... **26-99**

(52) **U.S. Cl.** ..... **D26/128; D26/118; D26/72**

(58) **Field of Search** ..... D26/24, 67, 71,  
D26/72, 85-92, 142, 145, 149, 152, 154,  
155, 118, 128-137; 362/147, 404-408,  
432, 455, 457

(56) **References Cited**

**U.S. PATENT DOCUMENTS**

D63,164 S	*	10/1923	Ohm	.....	D26/67
D67,423 S	*	5/1925	Walker	.....	D26/87
D67,929 S	*	8/1925	Lipschutz	.....	D26/24
6,767,117 B2	*	7/2004	De'Armond	.....	362/432

**OTHER PUBLICATIONS**

Kichler Lighting Catalog No. 104, ©2004; item 9283—"Kensington" on p. 320 and item 9476—"Inverness" on p. 302. (2 pages).\*

Progress Lighting Product Catalog No. 126, ©2004; item P5637-86—"Gilcrest" on p. 395. (1 page).\*

Quoizel 2004 Catalog; item DE 8976BR—"Devon" on p. 267. (1 page).\*

U.S. Appl. No. 29/216,777, Miguel Flores.

U.S. Appl. No. 29/216,815, Miguel Flores.

U.S. Appl. No. 29/216,821, Miguel Flores.

The Great Outdoors 2004 Catalog by Minka-Lavery; Minka Lighting, Inc., U.S.A.; Jan. 2004; Kent Place Model; pp. 4-5.

\* cited by examiner

*Primary Examiner*—Clare E Heflin

(74) *Attorney, Agent, or Firm*—Baker & McKenzie LLP

(57) **CLAIM**

The ornamental design for a lamp housing, as shown and described.

**DESCRIPTION**

FIG. 1 is a perspective view from above of a lamp housing in accordance with my design;

FIG. 2 is a perspective view from below of the lamp housing in accordance with my design;

FIG. 3 is a side elevation view of the lamp housing in accordance with my design;

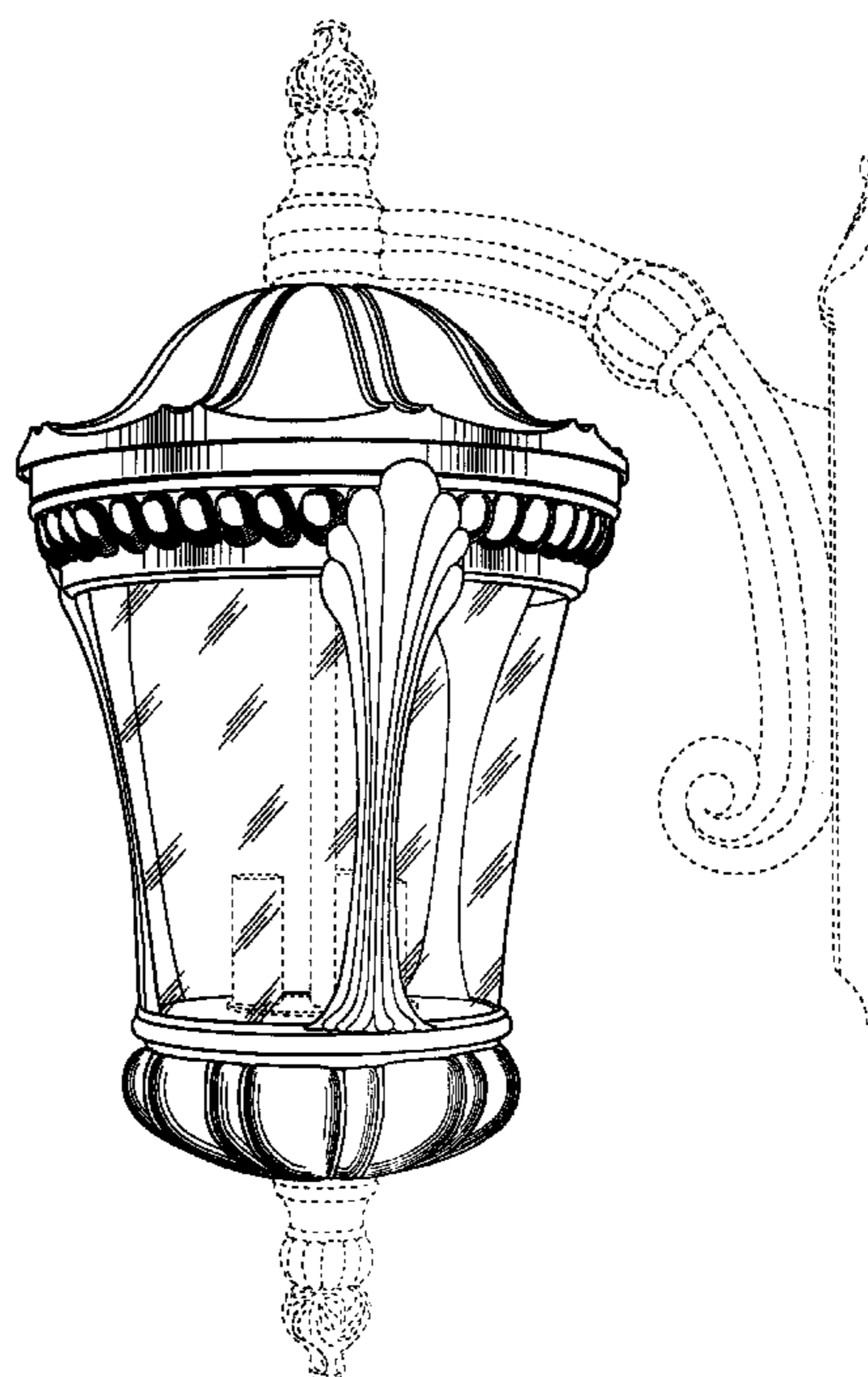
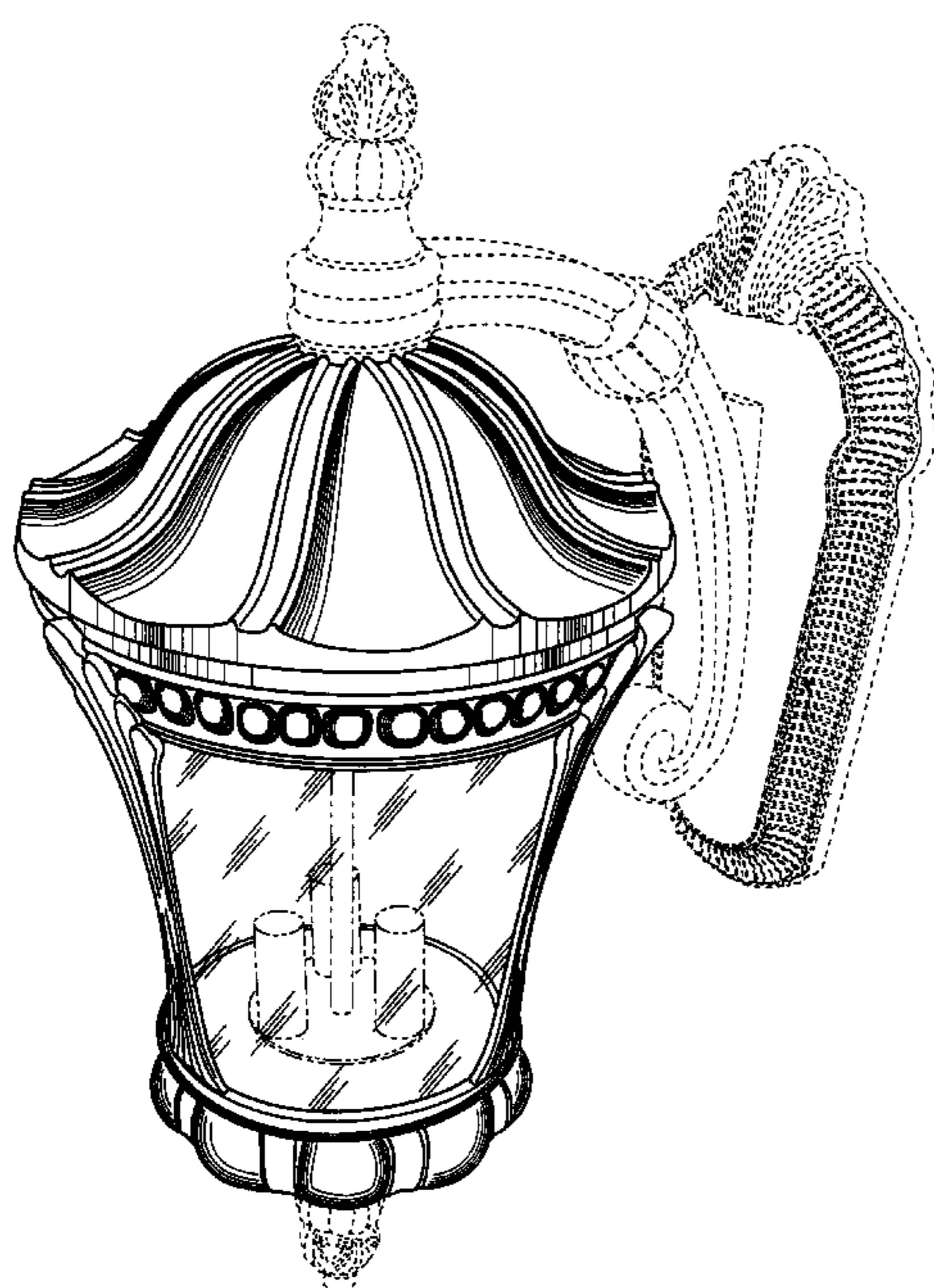
FIG. 4 is a front elevation view of the lamp housing in accordance with my design;

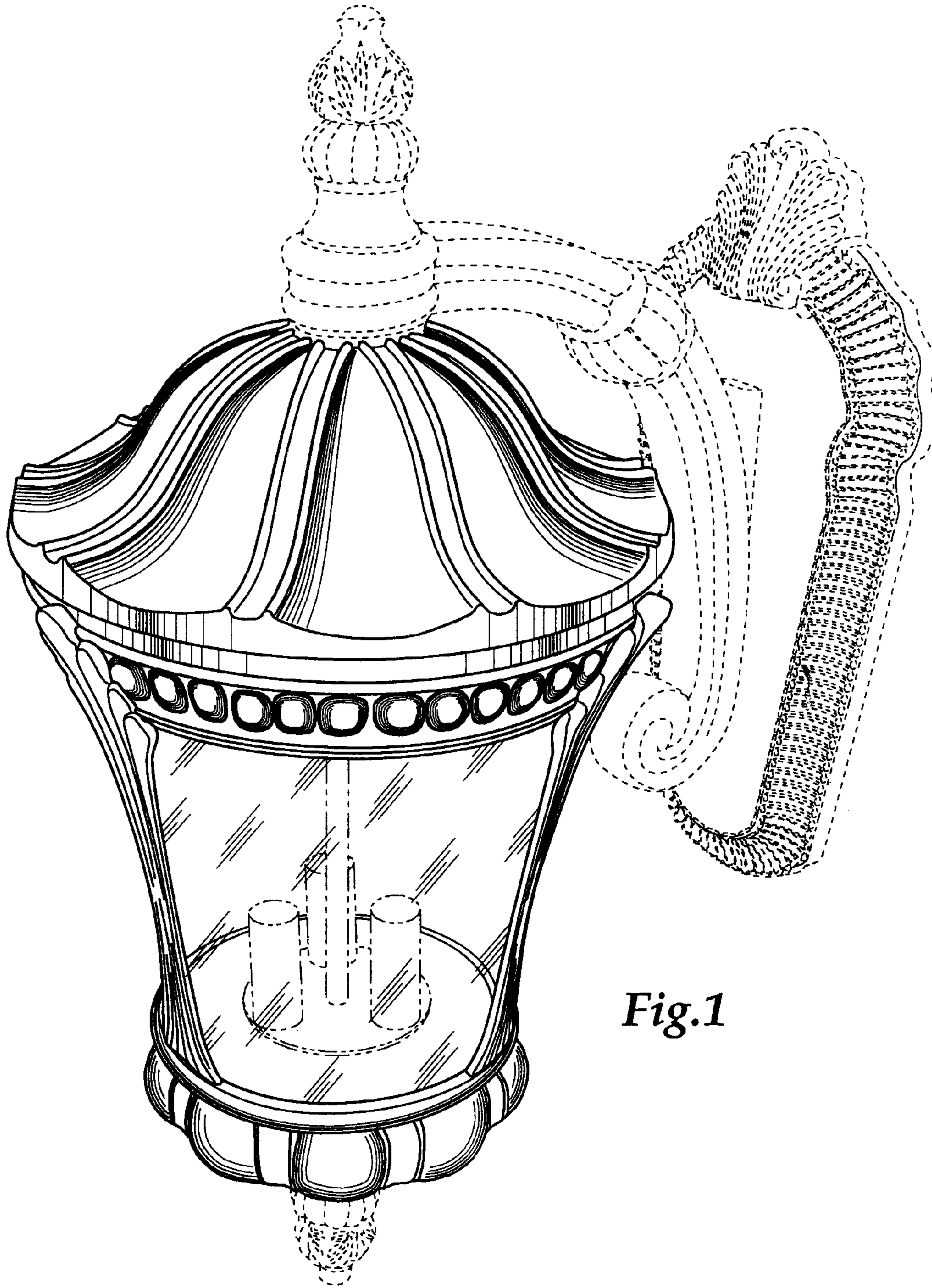
FIG. 5 is a top plan view of the lamp housing in accordance with my design; and,

FIG. 6 is a bottom plan view of the lamp housing in accordance with my design.

The broken lines showing environmental structure are for illustrative purposes and form no part of the claimed design.

**1 Claim, 5 Drawing Sheets**





*Fig.1*

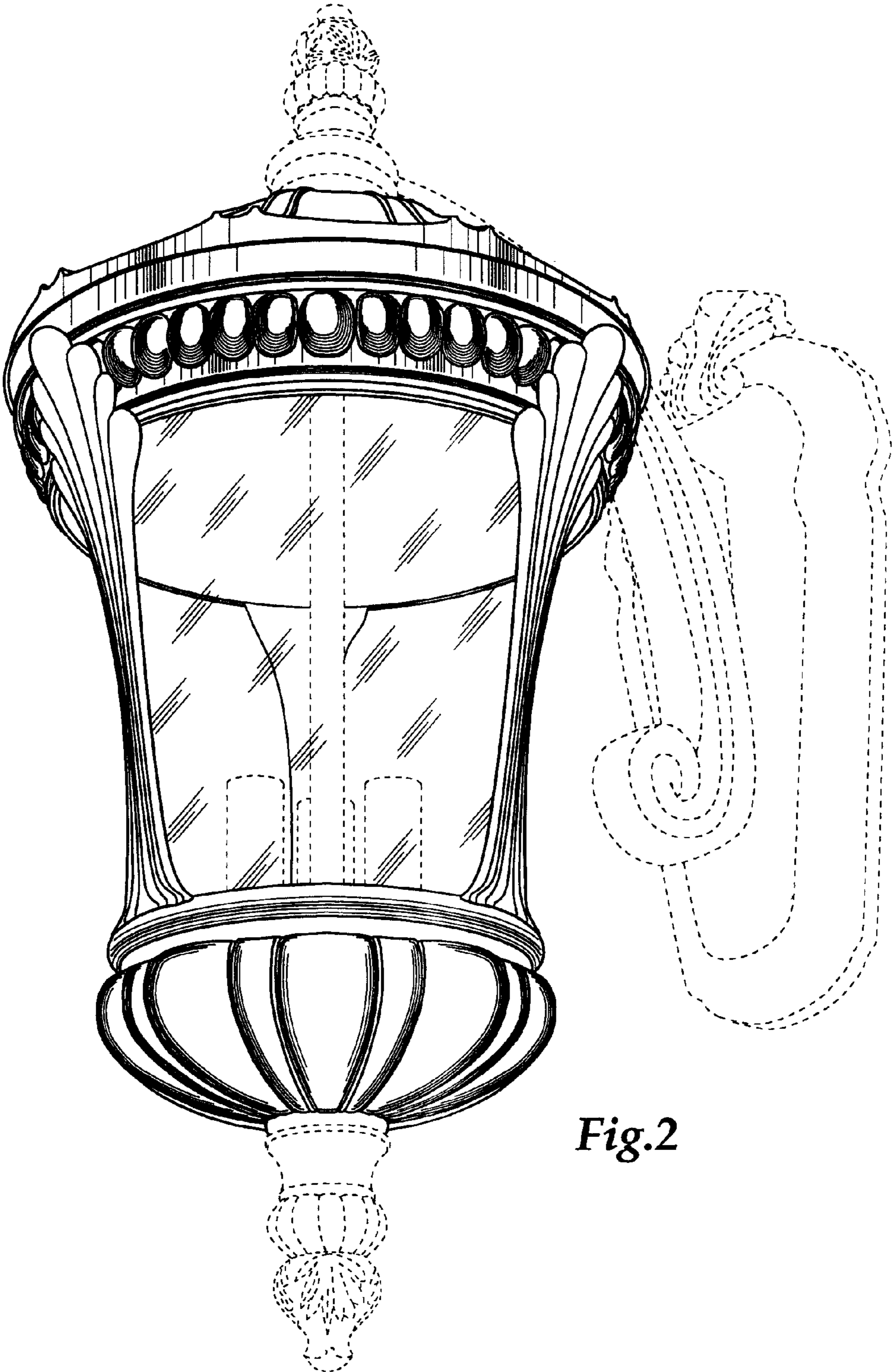
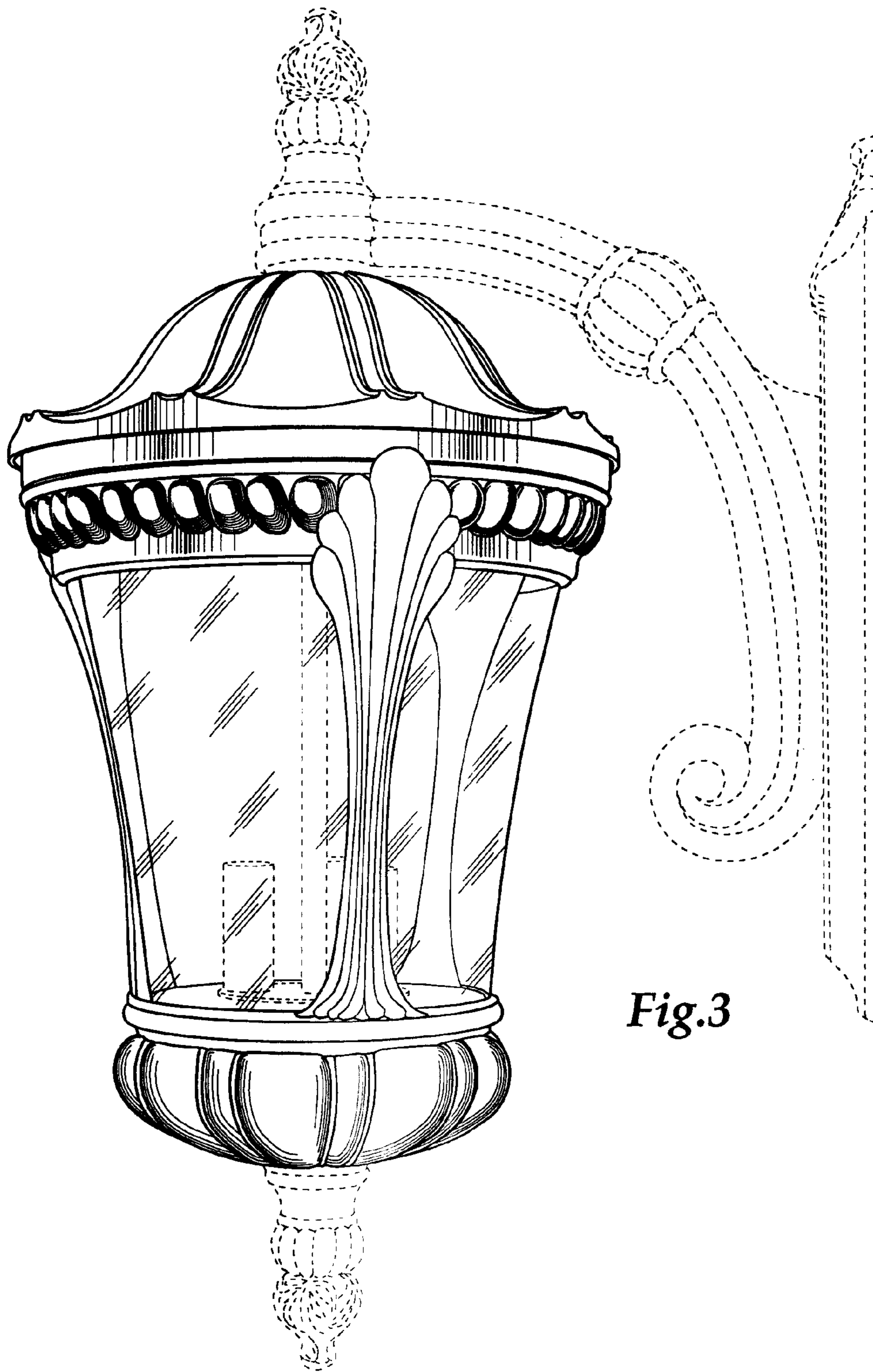
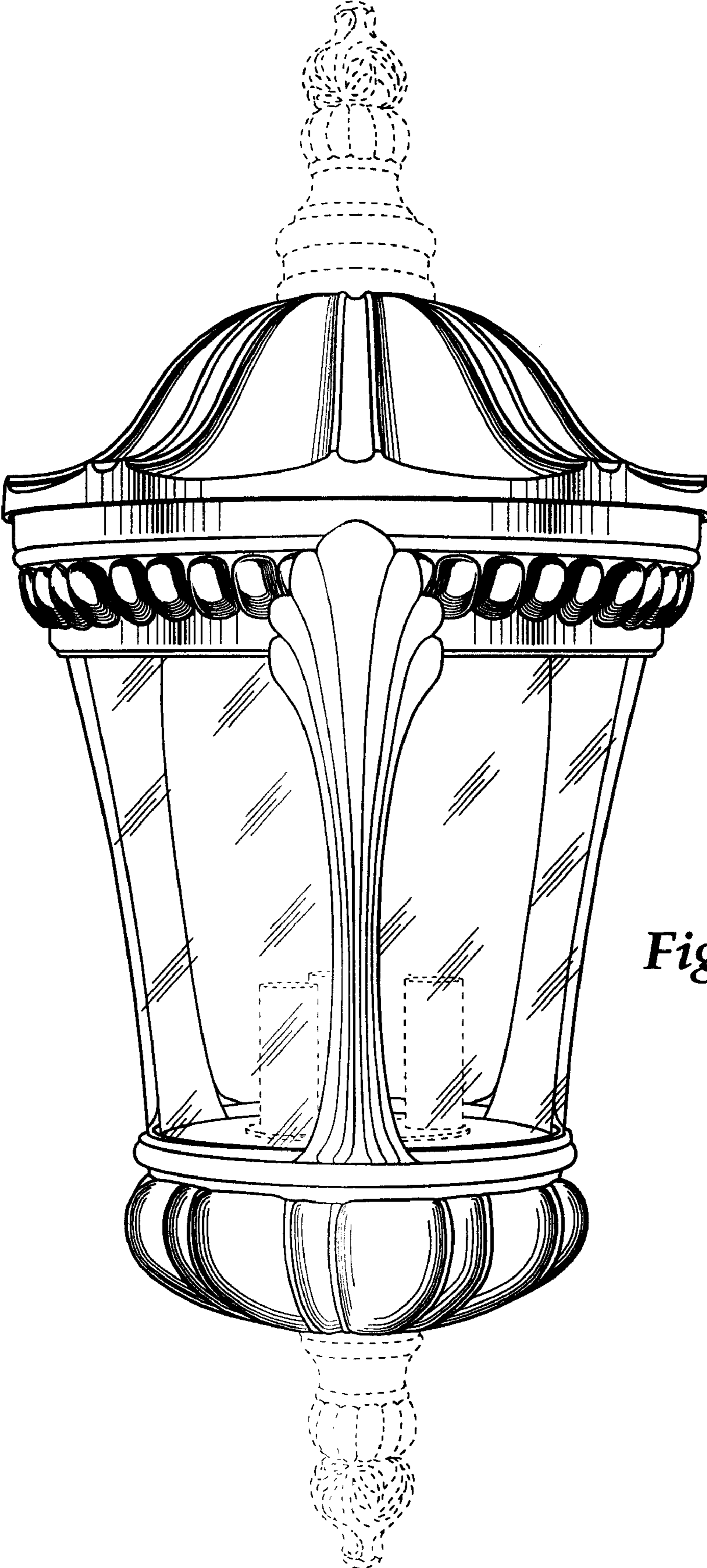


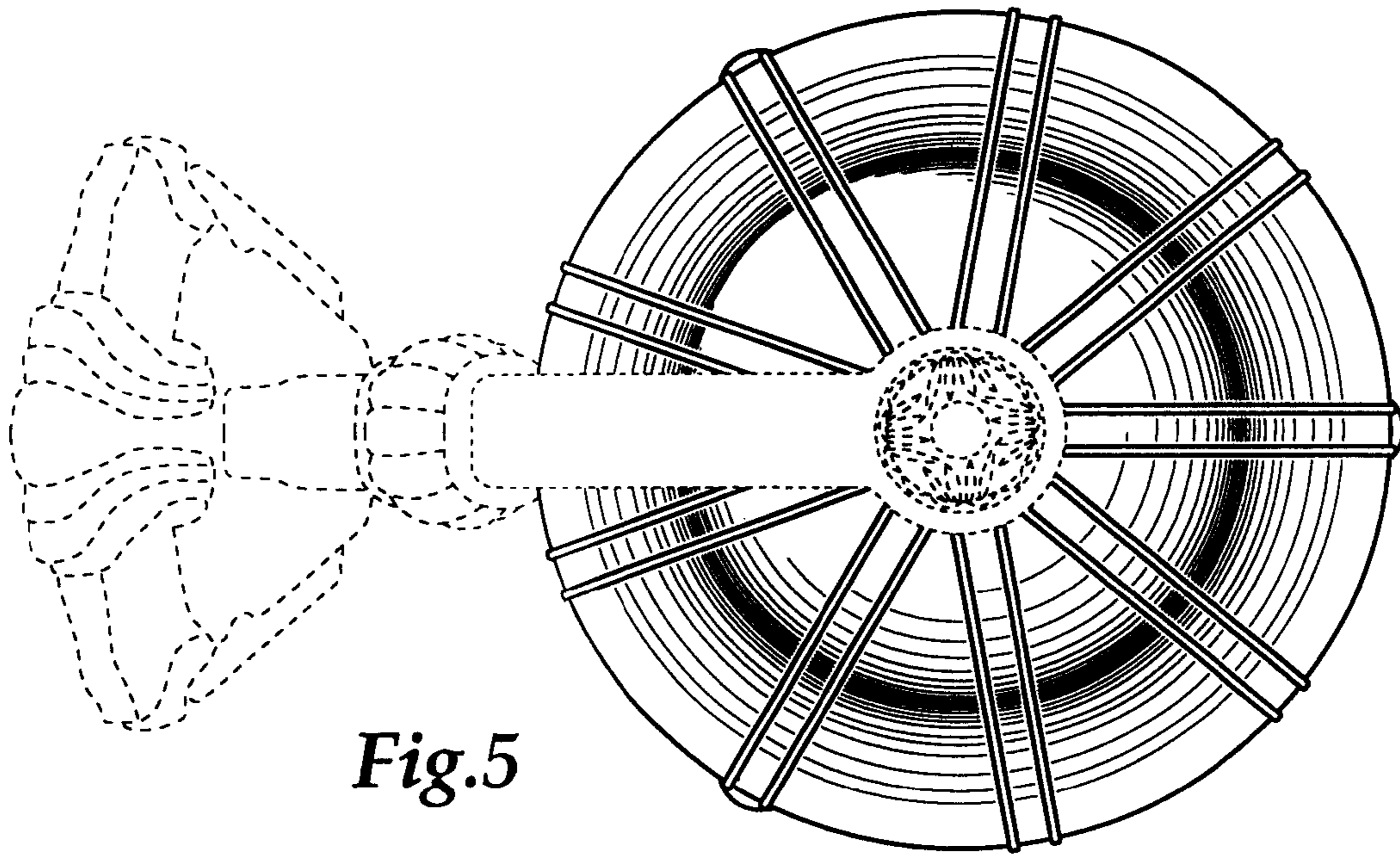
Fig.2



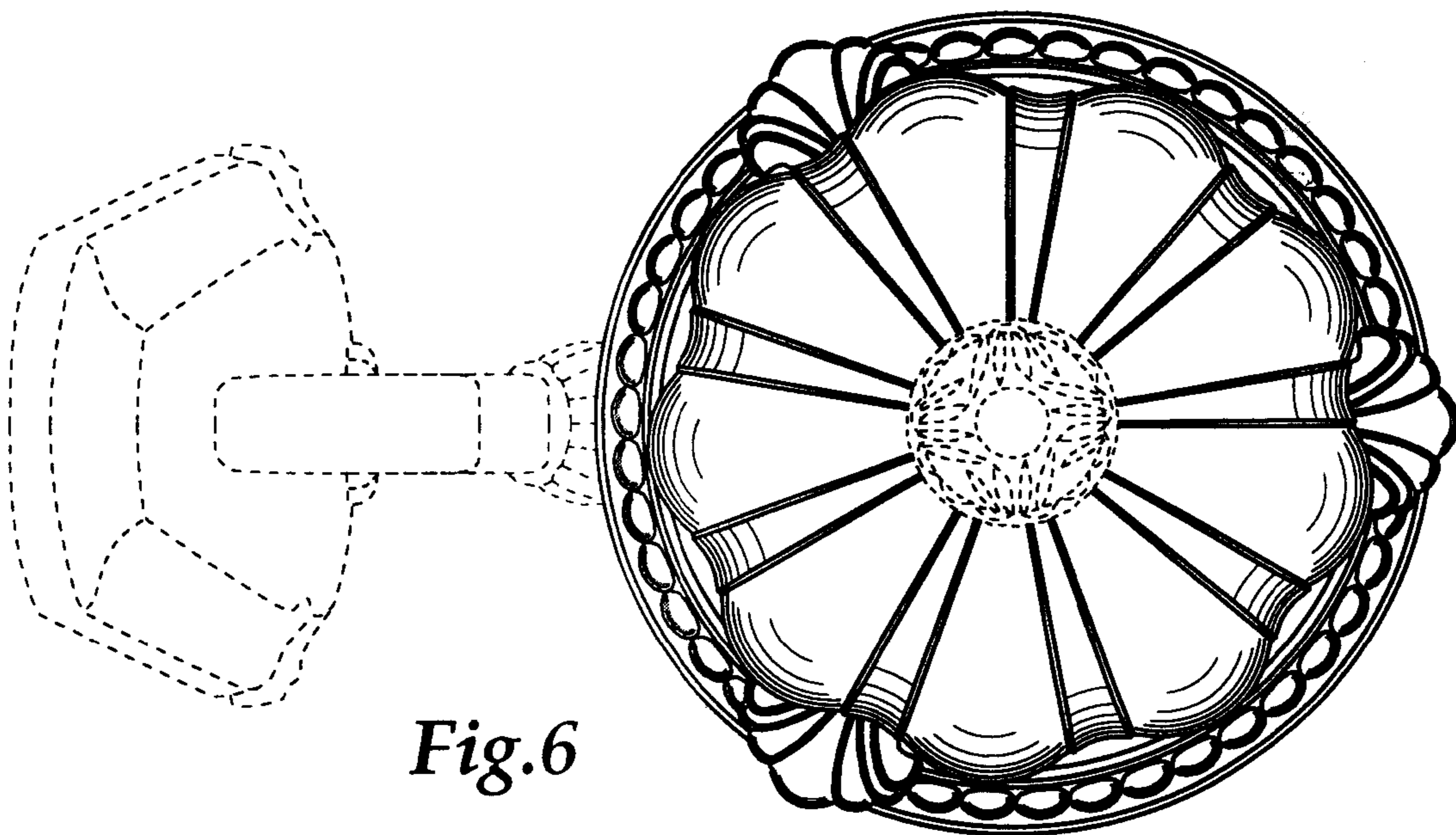
*Fig.3*



*Fig. 4*



*Fig.5*



*Fig.6*