



US00D512175S

(12) **United States Design Patent**
Santachiara

(10) **Patent No.:** **US D512,175 S**

(45) **Date of Patent:** **** Nov. 29, 2005**

(54) **LAMP**

(76) **Inventor:** **Denis Santachiara**, Alzaia Naviglio
Grande 156, 20144 Milan (IT)

(**) **Term:** **14 Years**

(21) **Appl. No.:** **29/196,434**

(22) **Filed:** **Dec. 31, 2003**

(30) **Foreign Application Priority Data**

Jul. 11, 2003 (IT) RM200300128

(51) **LOC (8) Cl.** **26-03**

(52) **U.S. Cl.** **D26/108**

(58) **Field of Search** D26/93-112; 362/410-414,
362/418, 419

(56) **References Cited**

U.S. PATENT DOCUMENTS

D280,554 S * 9/1985 Alessandro D26/110

* cited by examiner

Primary Examiner—Alan P. Douglas

Assistant Examiner—Linda Brooks

(74) *Attorney, Agent, or Firm*—Staas & Halsey LLP

(57) **CLAIM**

The ornamental design for a lamp, as shown and described.

DESCRIPTION

FIG. 1 is a front view of the lamp showing my design in a partially opened state;

FIG. 2 is a perspective view thereof in a more open state;

FIG. 3 is a front view of the design shown in FIG. 2;

FIG. 4 is a perspective view of the design in a partially closed state;

FIG. 5 is a rear view of the design in a partially opened state; and,

FIG. 6 is a rear view of the design in the fully closed state.

1 Claim, 6 Drawing Sheets

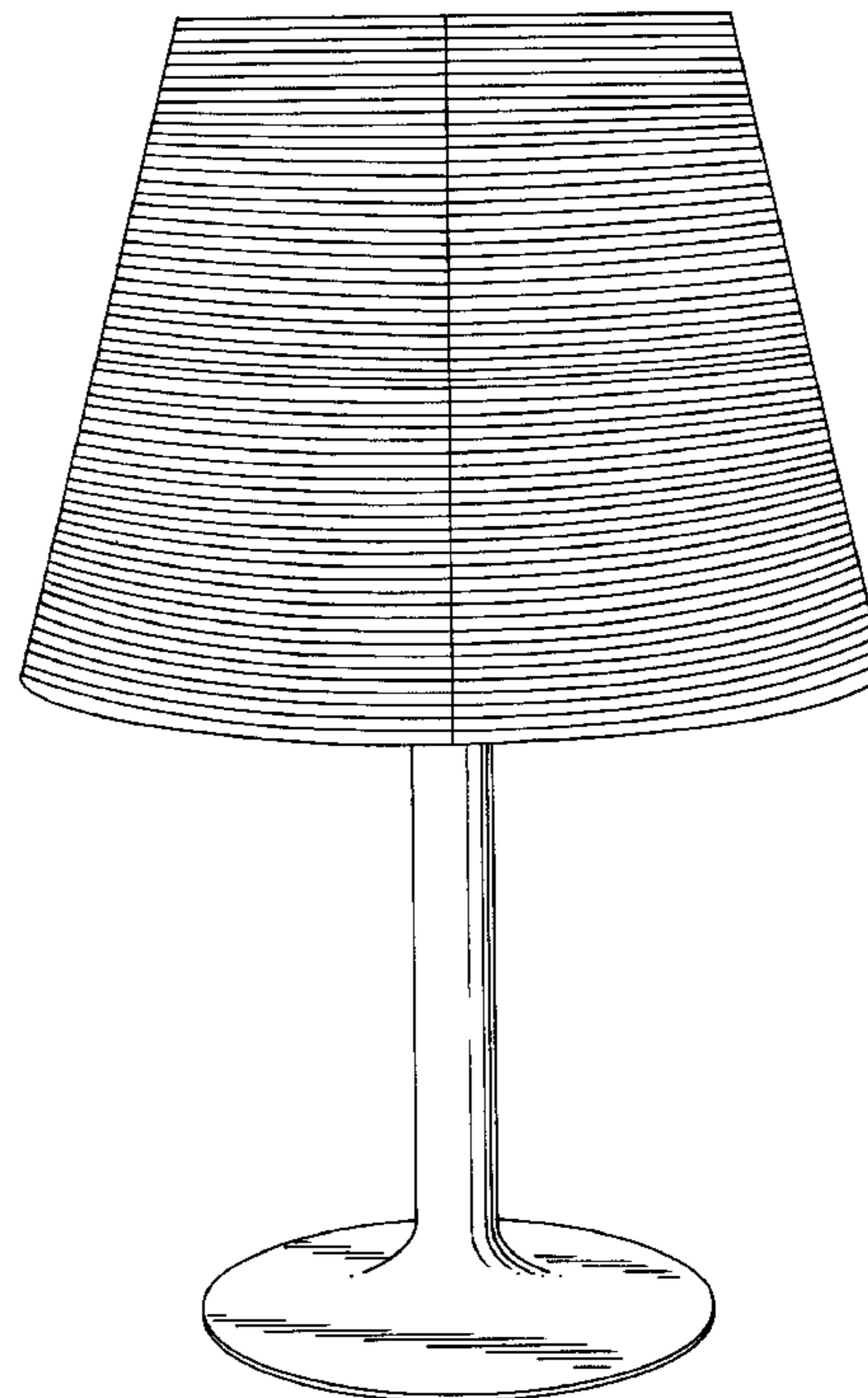
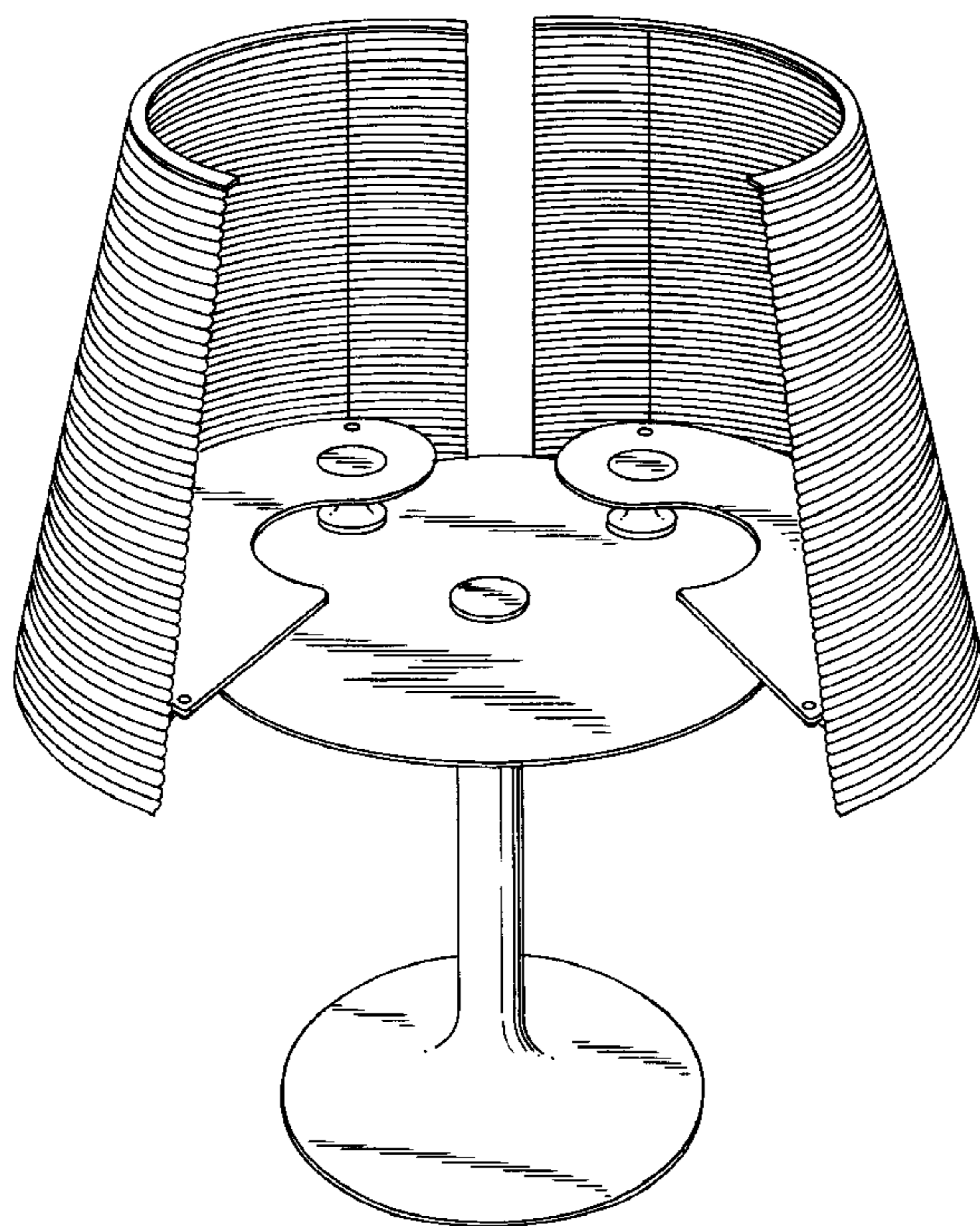


FIG. 1

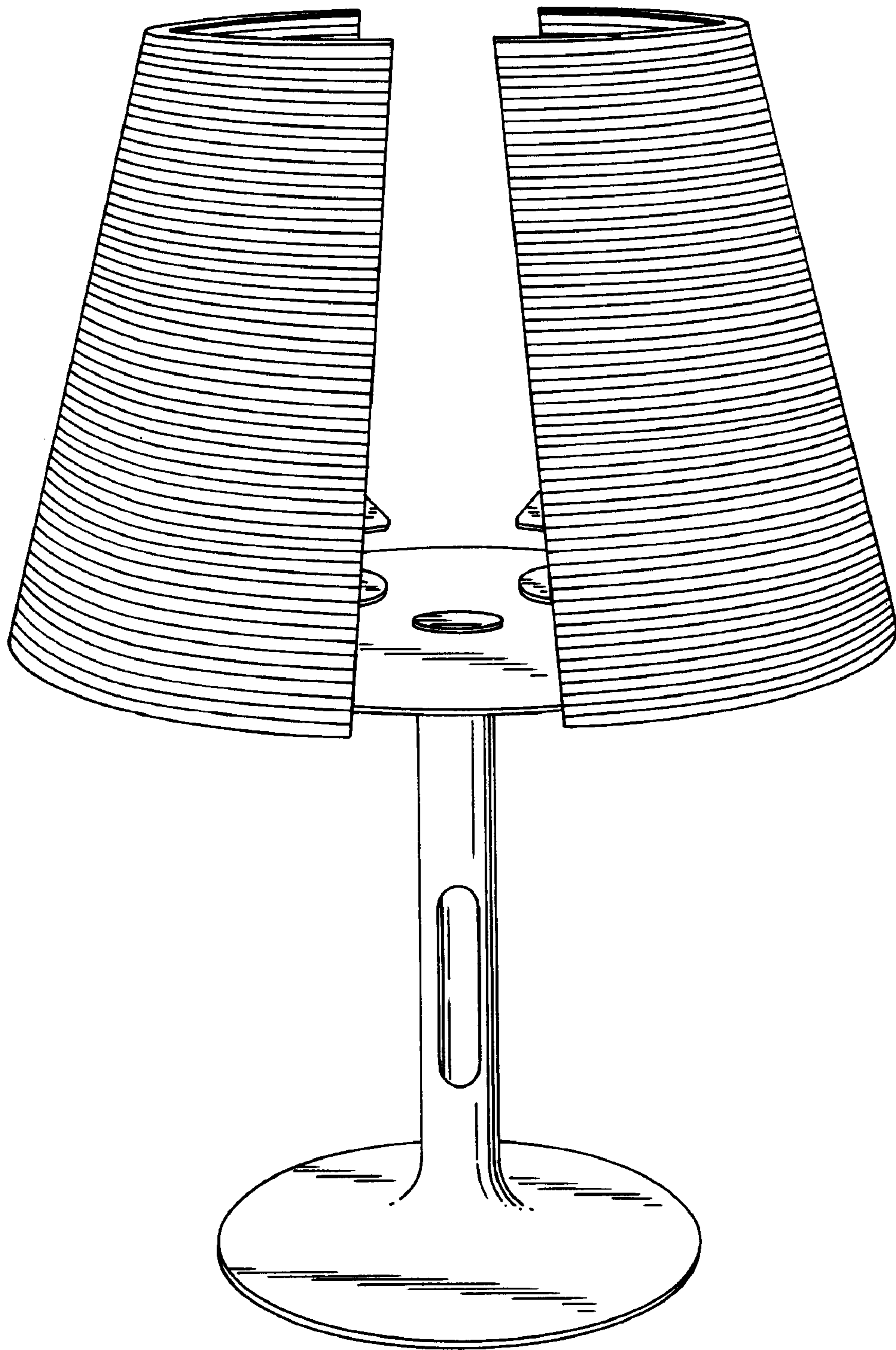


FIG. 2

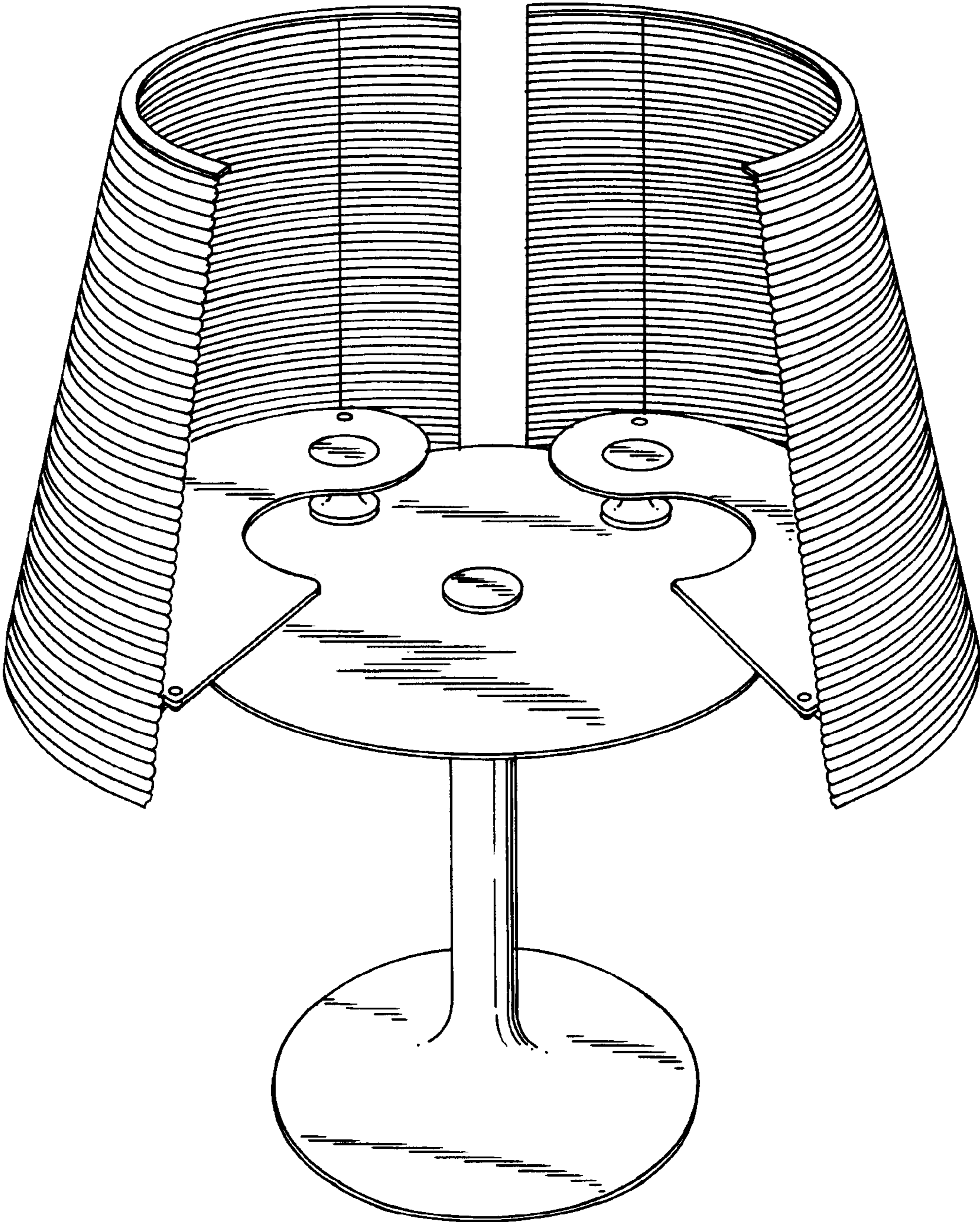


FIG. 3

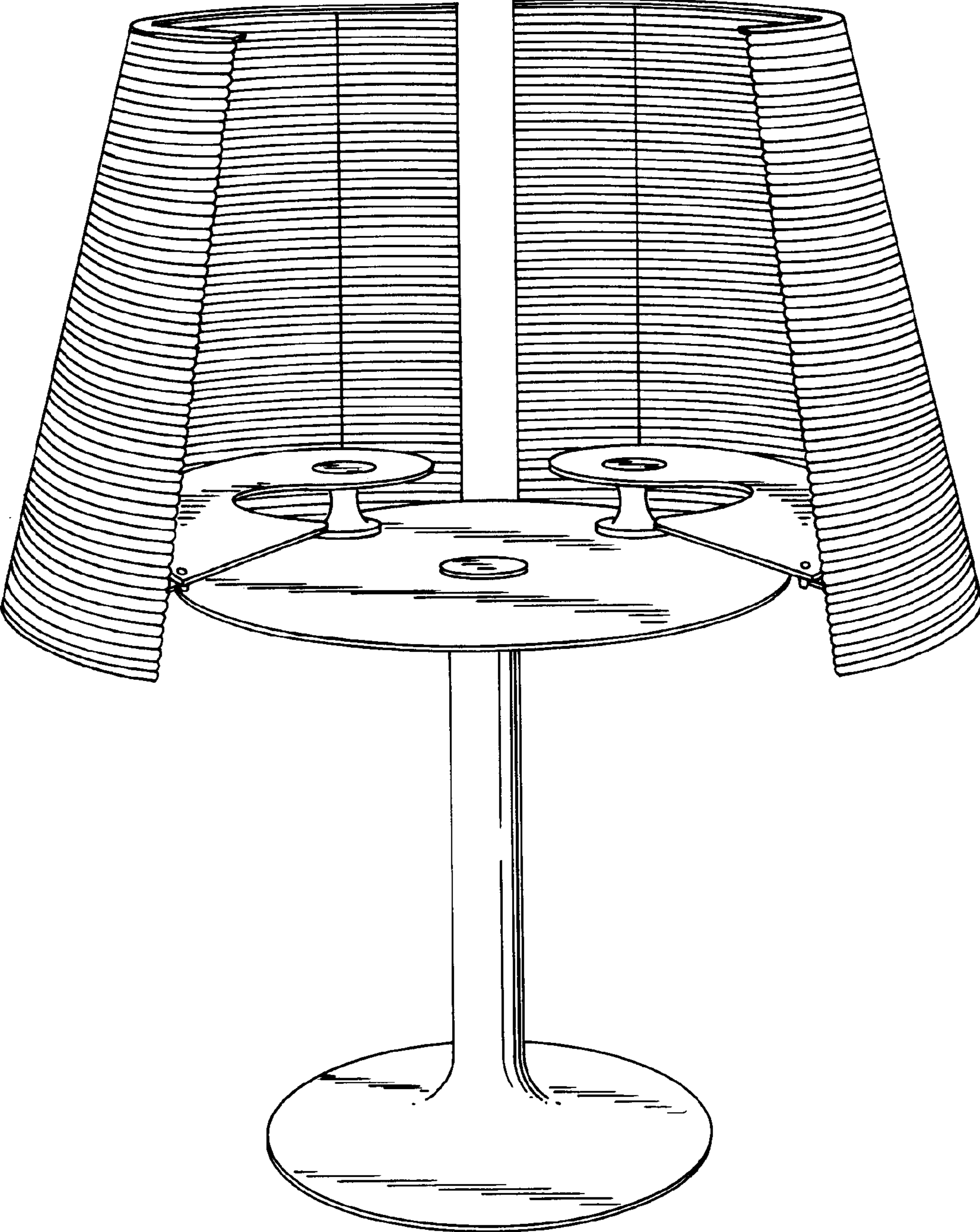


FIG. 4

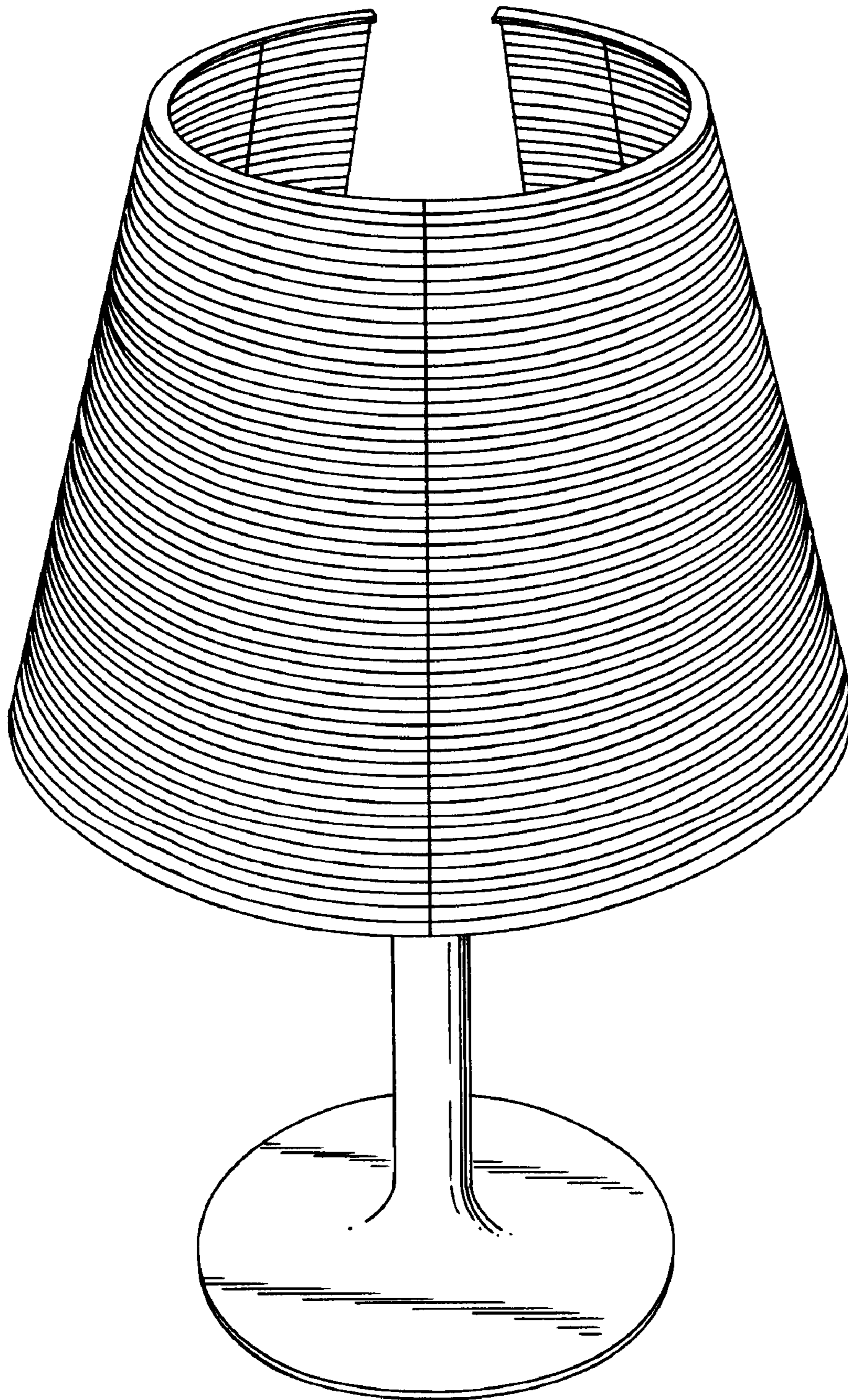


FIG. 5

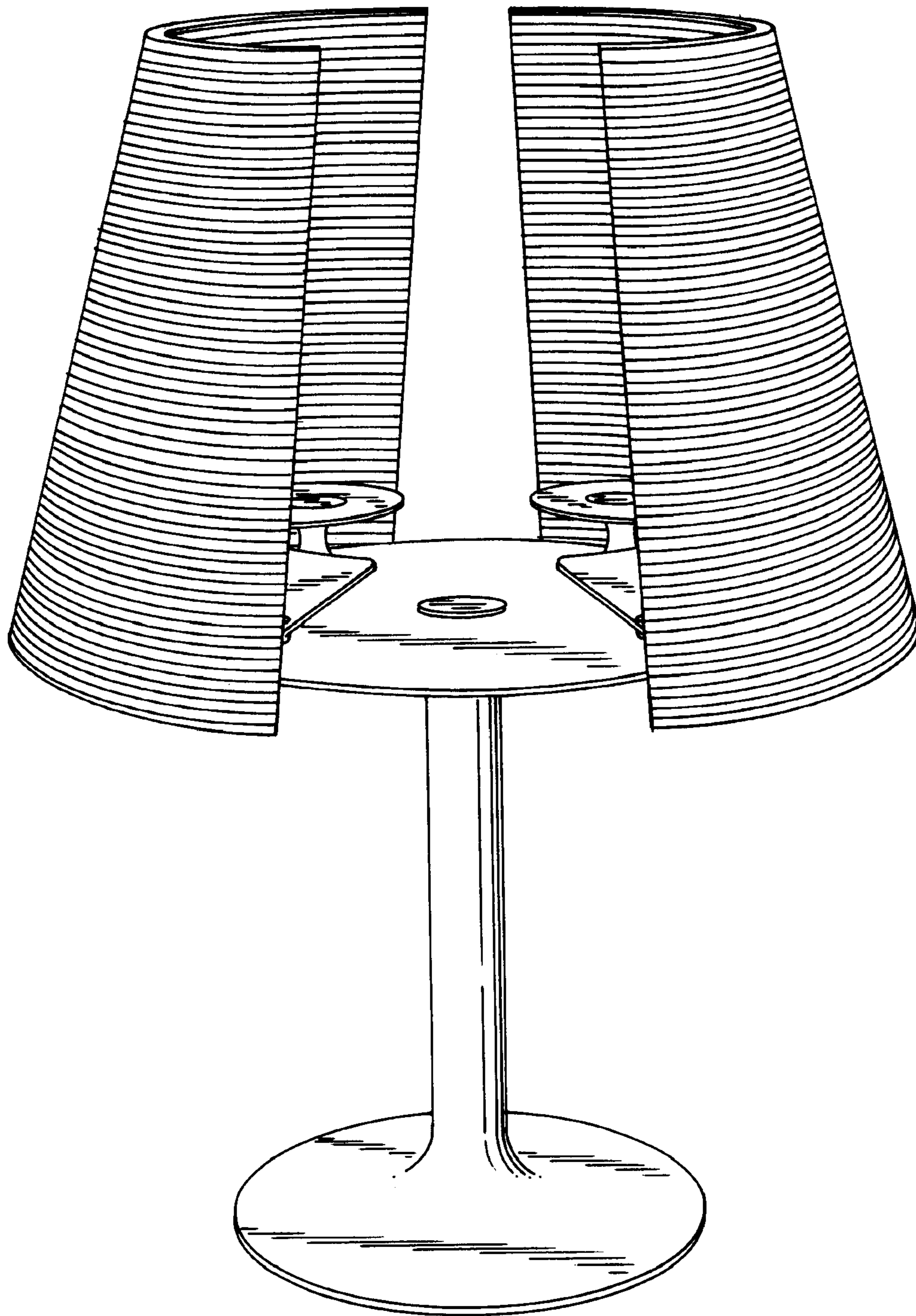


FIG. 6

