



US00D512170S

(12) **United States Design Patent**
Canino et al.

(10) **Patent No.:** **US D512,170 S**

(45) **Date of Patent:** **** Nov. 29, 2005**

(54) **UTILITY LIGHT**

D468,477 S * 1/2003 Landefeld et al. D26/104

(75) Inventors: **Serafino Canino**, Torrington, CT (US);
Scott Gelormino, Unionville, CT (US)

* cited by examiner

(73) Assignee: **Innovative Concepts Corporation**,
Torrington, CT (US)

Primary Examiner—Alan P. Douglas
Assistant Examiner—Linda Brooks

(**) Term: **14 Years**

(57) **CLAIM**

(21) Appl. No.: **29/215,115**

The ornamental design for a utility light, as shown and described.

(22) Filed: **Oct. 13, 2004**

DESCRIPTION

(51) **LOC (8) Cl.** **26-05**

(52) **U.S. Cl.** **D26/61**

(58) **Field of Search** D26/60–66, 93,
D26/104, 37, 40; 362/410–414, 269–275,
277–289, 418, 806, 809

FIG. 1 is a perspective view of a first embodiment showing our design in a first configuration;

FIG. 2 is a top view of the embodiment of FIG. 1 in another configuration; and,

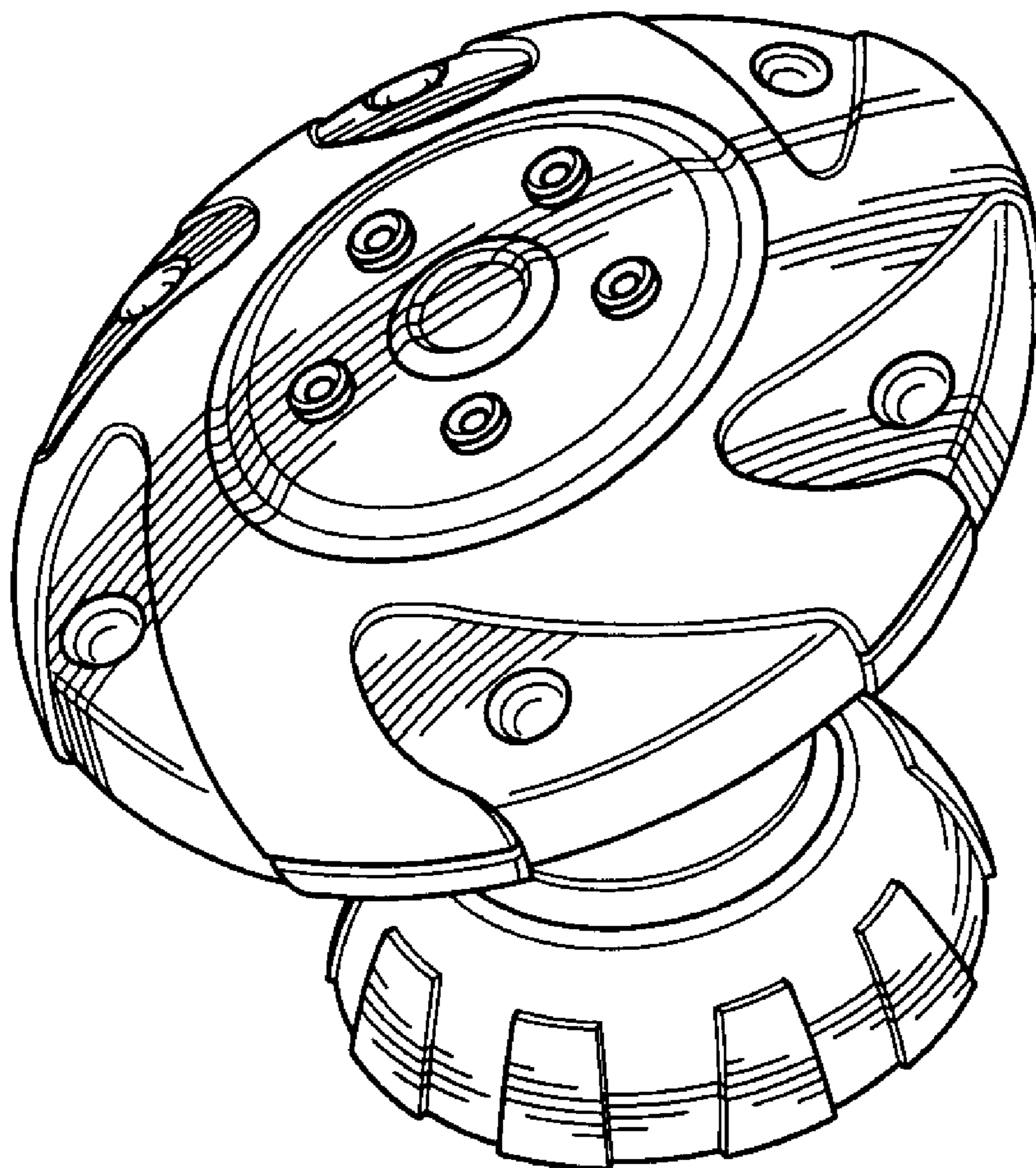
FIG. 3 is a side view of the configuration of FIG. 2, with all other side views being substantially the same.

(56) **References Cited**

U.S. PATENT DOCUMENTS

D383,872 S * 9/1997 Lin D26/110

1 Claim, 1 Drawing Sheet



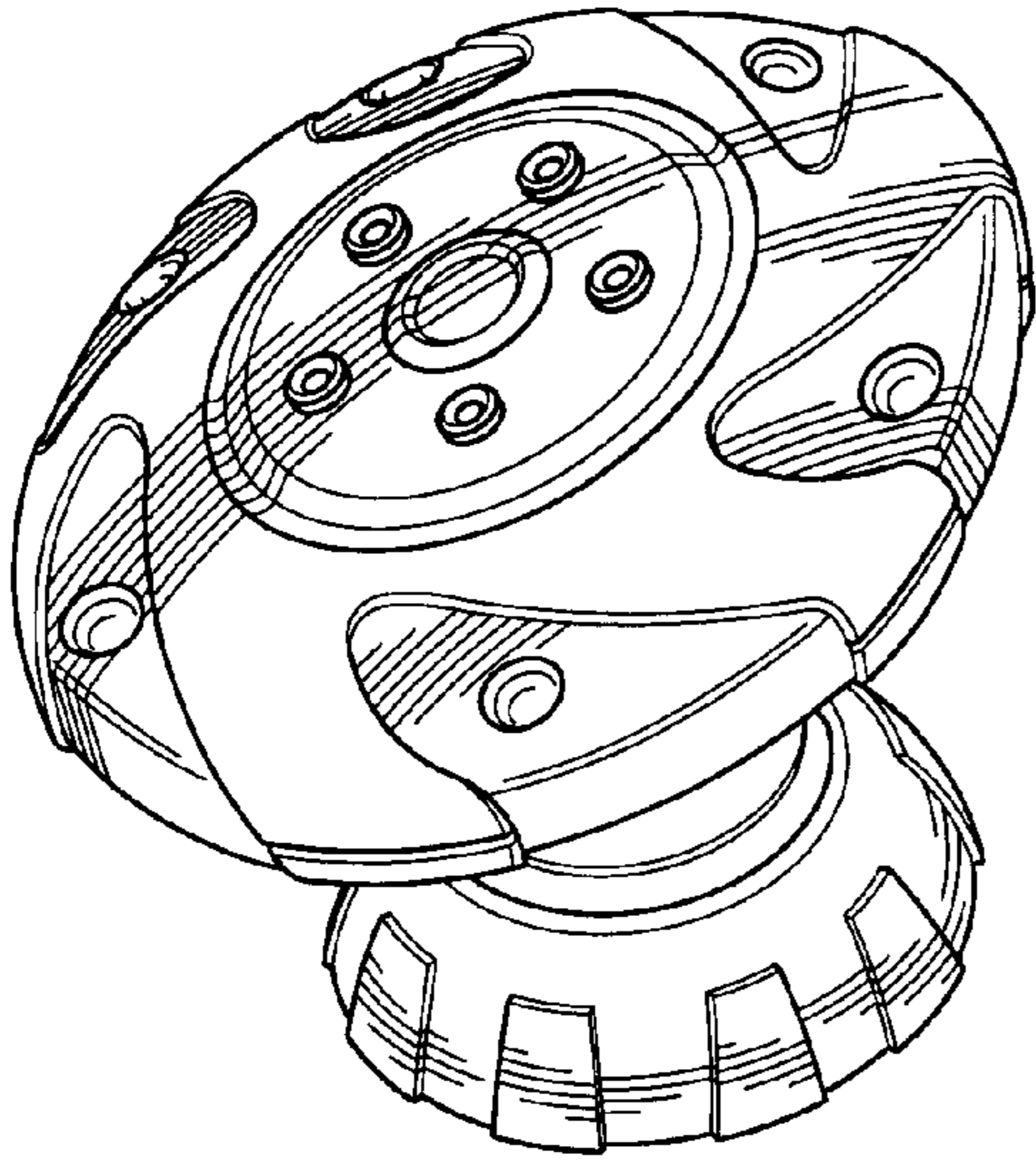


Figure 1

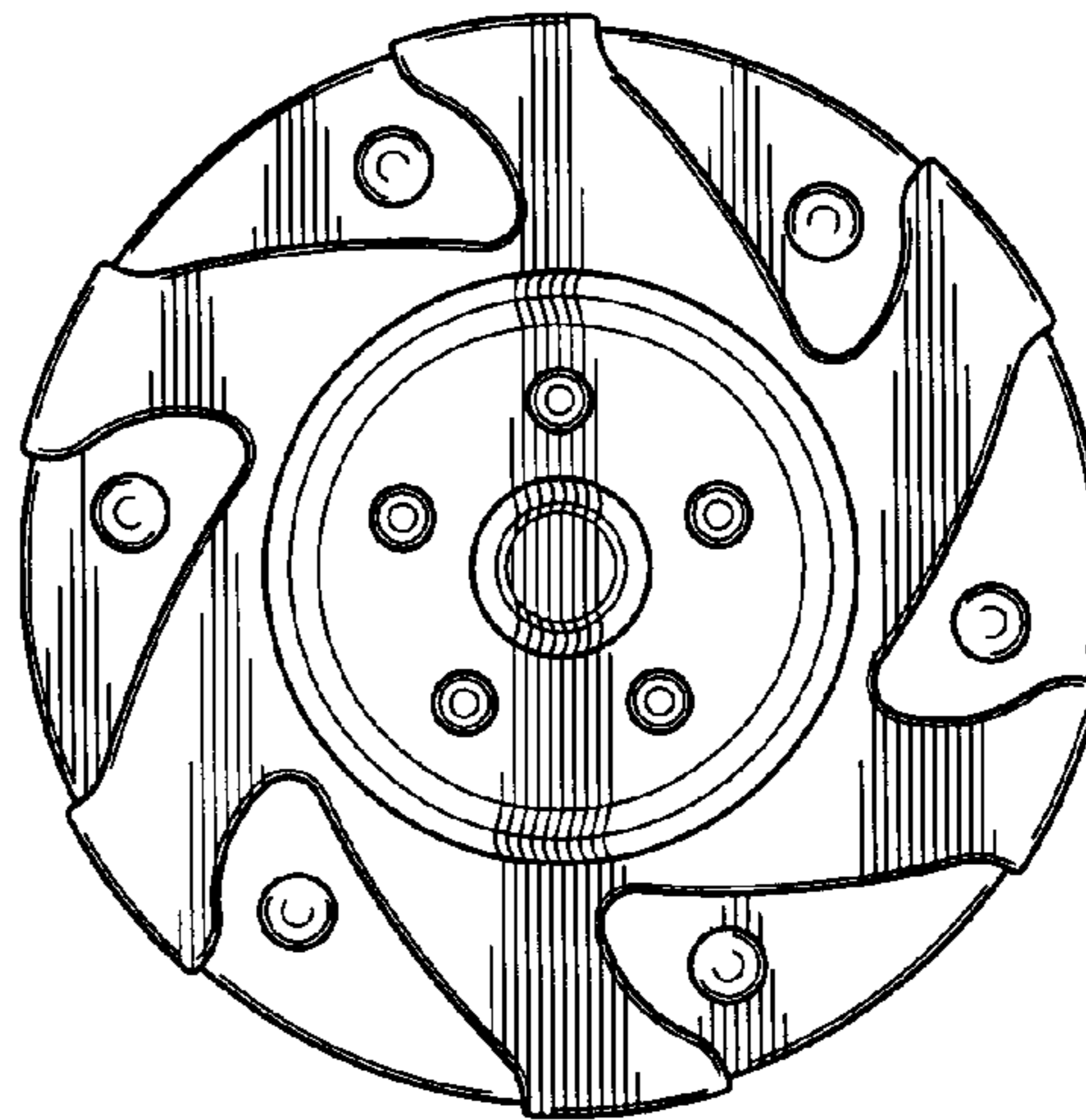


Figure 2

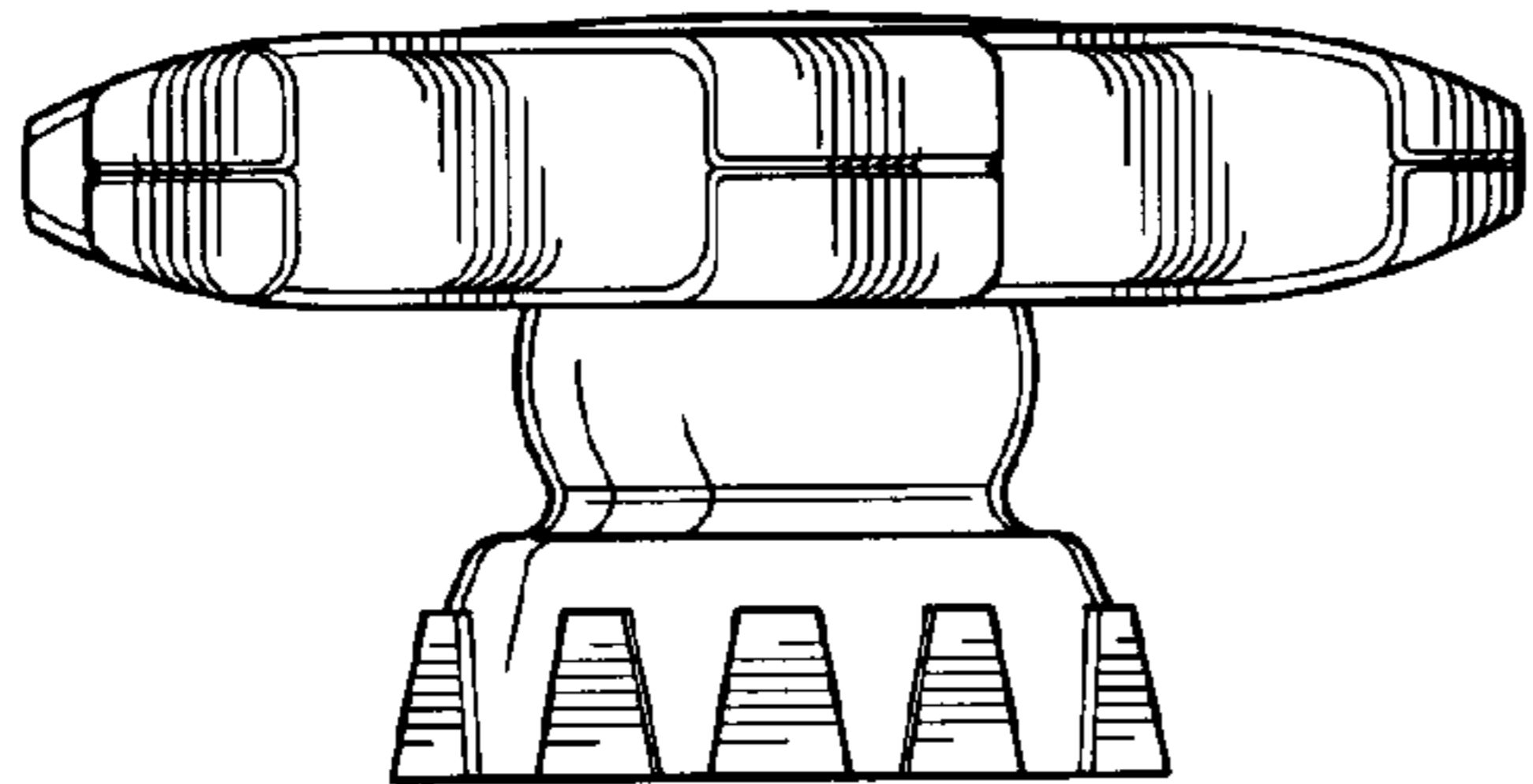


Figure 3