



US00D512169S

(12) **United States Design Patent**
Yuen

(10) **Patent No.:** **US D512,169 S**
(45) **Date of Patent:** **** Nov. 29, 2005**

(54) **SEARCHLIGHT WITH BATTERY PACK**

(76) **Inventor:** **Se Kit Yuen**, 6/F., Yau Lee Centre, 45 Hoi Yuen Road, Kwun Tong, Hong Kong (HK)

(**) **Term:** **14 Years**

(21) **Appl. No.:** **29/216,730**

(22) **Filed:** **Nov. 8, 2004**

(51) **LOC (8) Cl.** **26-02**

(52) **U.S. Cl.** **D26/46**

(58) **Field of Search** D26/37-50; 362/157, 362/158, 171-174, 183-208

(56) **References Cited**

U.S. PATENT DOCUMENTS

D430,323 S	*	8/2000	Yuen	D26/46
D437,434 S	*	2/2001	Zeller	D26/46
D443,708 S	*	6/2001	Lynch et al.	D26/46
D447,588 S	*	9/2001	Zeller	D26/46

* cited by examiner

Primary Examiner—Marcus A. Jackson

(57) **CLAIM**

The ornamental design for a searchlight with battery pack, as shown and described.

DESCRIPTION

FIG. 1 is a right side elevational view of a searchlight with battery pack showing my new design, of the search light

portion, and with the cord broken in the middle to indicate indeterminate length;

FIG. 2 is a side view with handle rotated thereof;

FIG. 3 is another side view with handle and light rotated thereof.

FIG. 4 is a plan side view thereof.

FIG. 5 is an underneath view thereof.

FIG. 6 is a front view thereof.

FIG. 7 is a rear view thereof.

FIG. 8 is another side view thereof.

FIG. 9 is a front view of battery pack thereof.

FIG. 10 is a plan view of battery pack thereof.

FIG. 11 is an underneath view of battery pack thereof.

FIG. 12 is a rear view of battery pack thereof.

FIG. 13 is a side view of battery pack thereof.

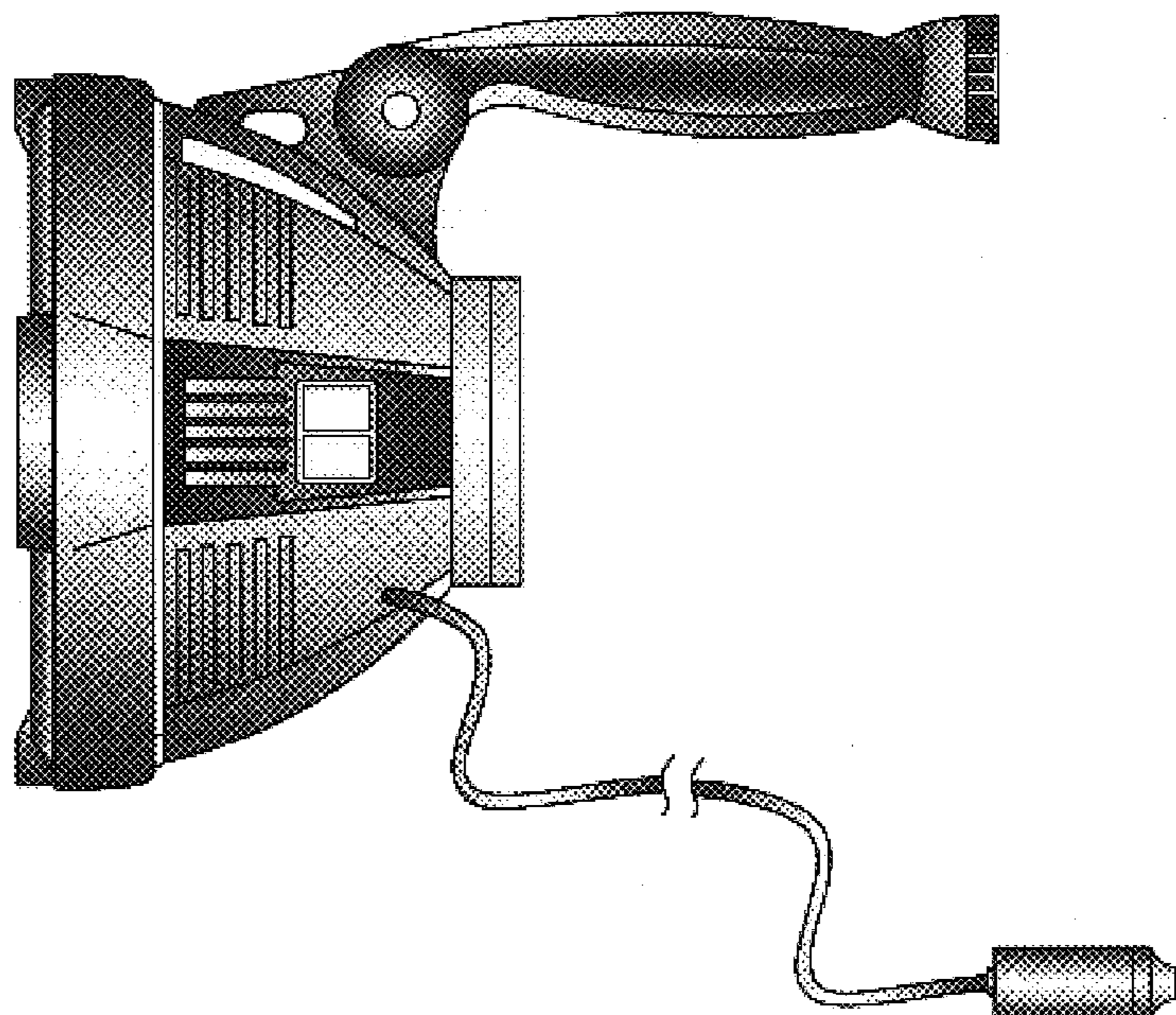
FIG. 14 is another side view of battery pack thereof.

FIG. 15 is a right side elevational view of the searchlight with battery pack thereof; and,

FIG. 16 is an exploded right side elevational view thereof.

The surface(s) or portion(s) of the article not shown in the drawing or described in the specification form(s) no part of the claimed design.

1 Claim, 16 Drawing Sheets



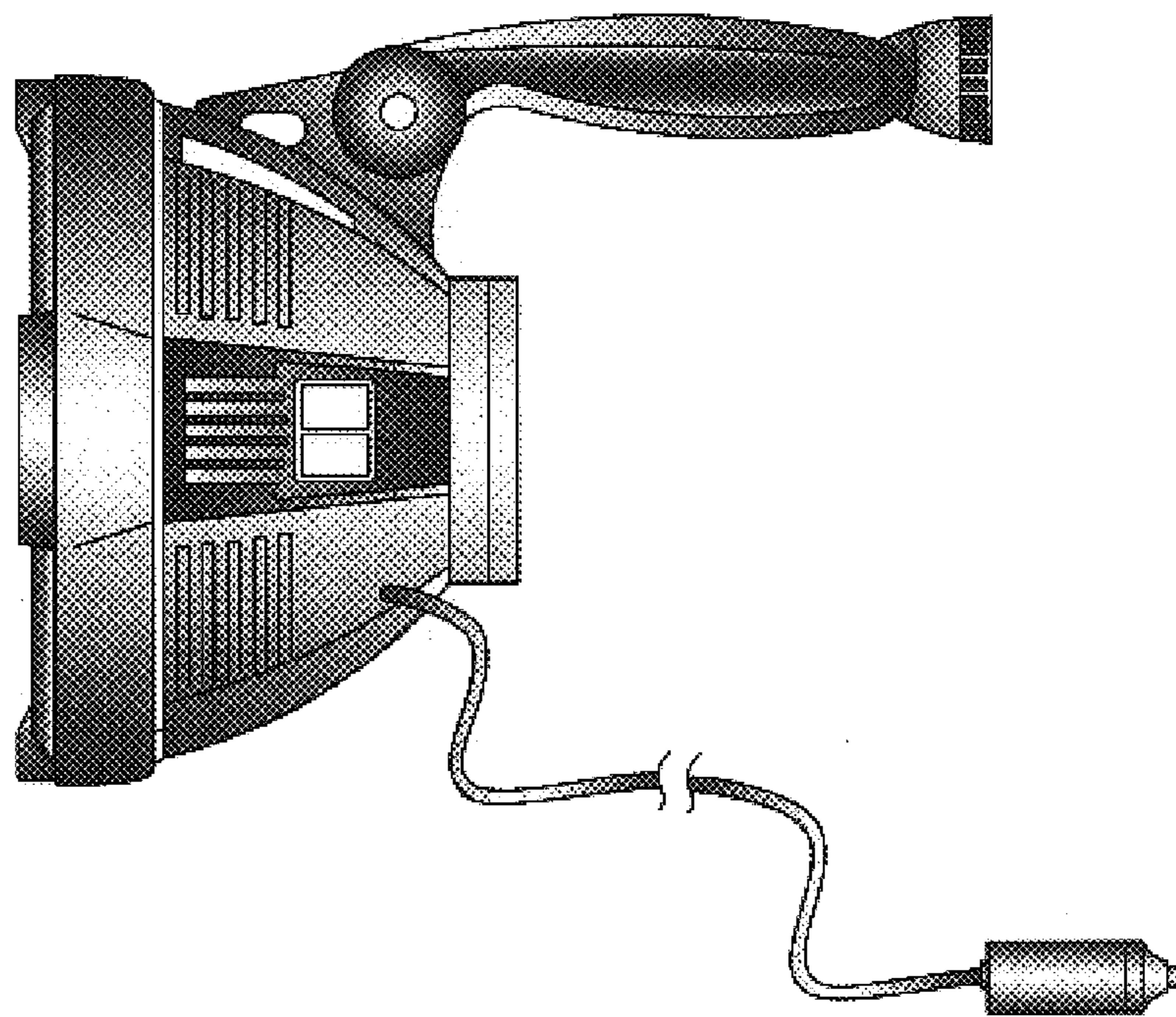


Fig. 1

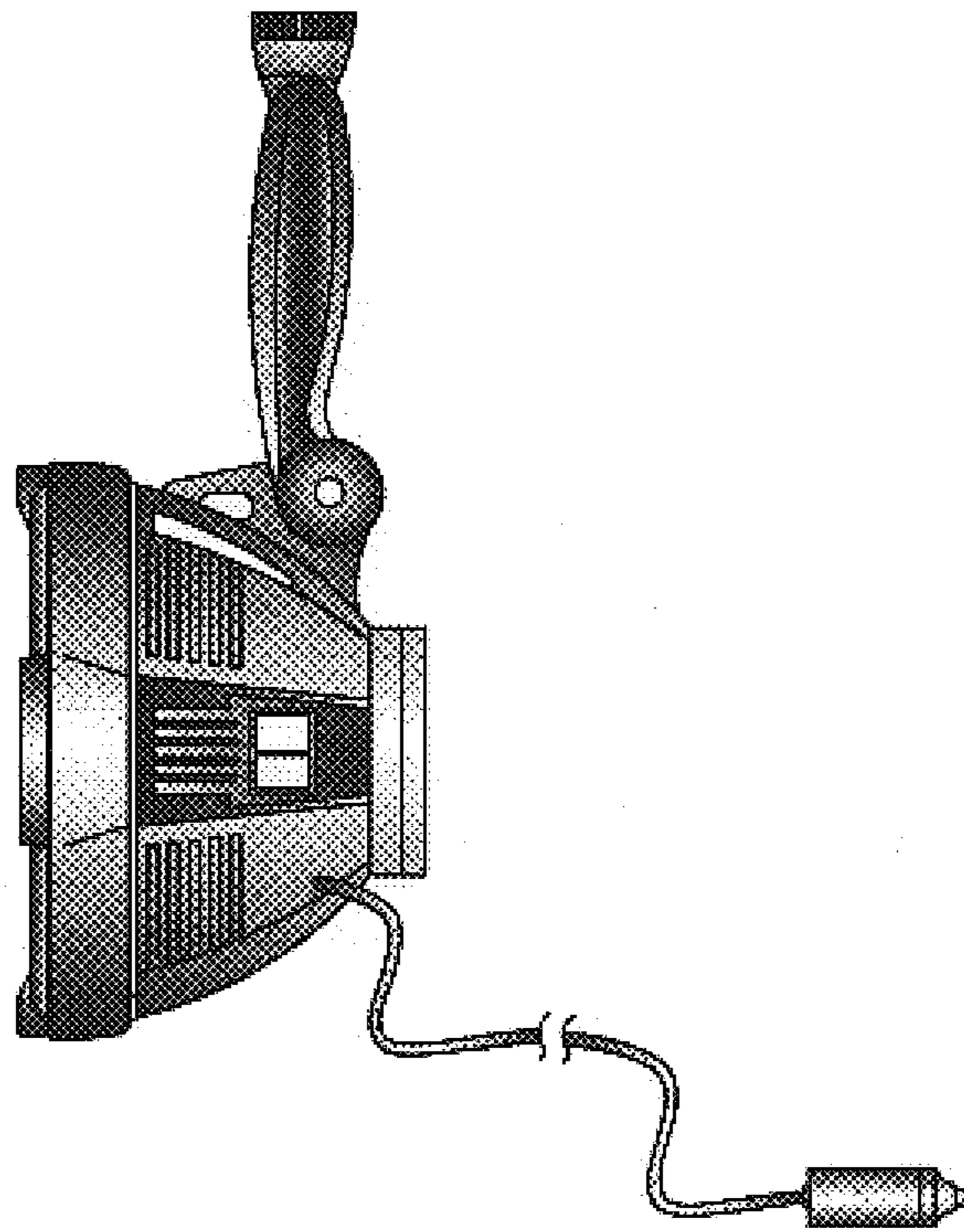


Fig. 2

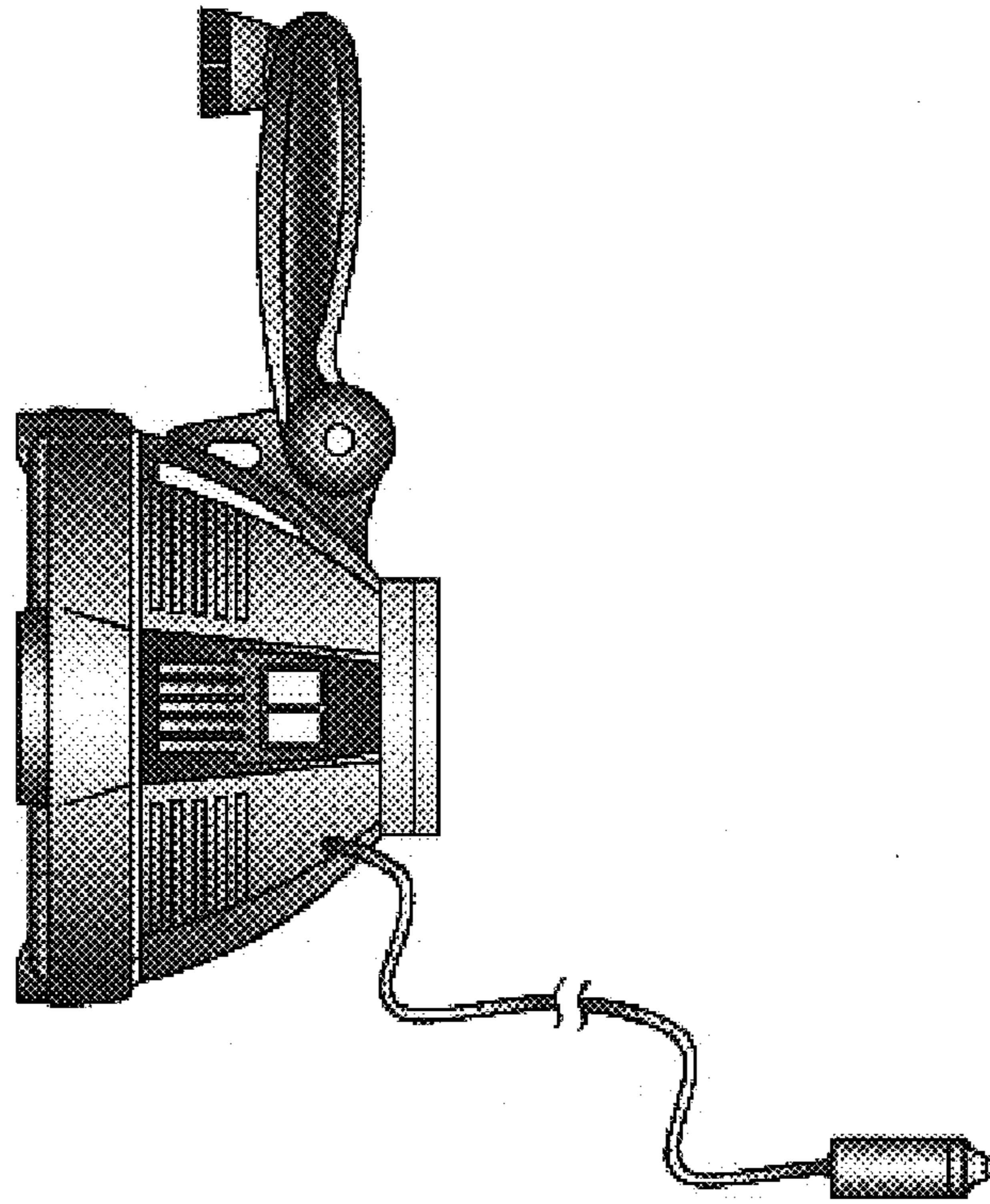


Fig. 3

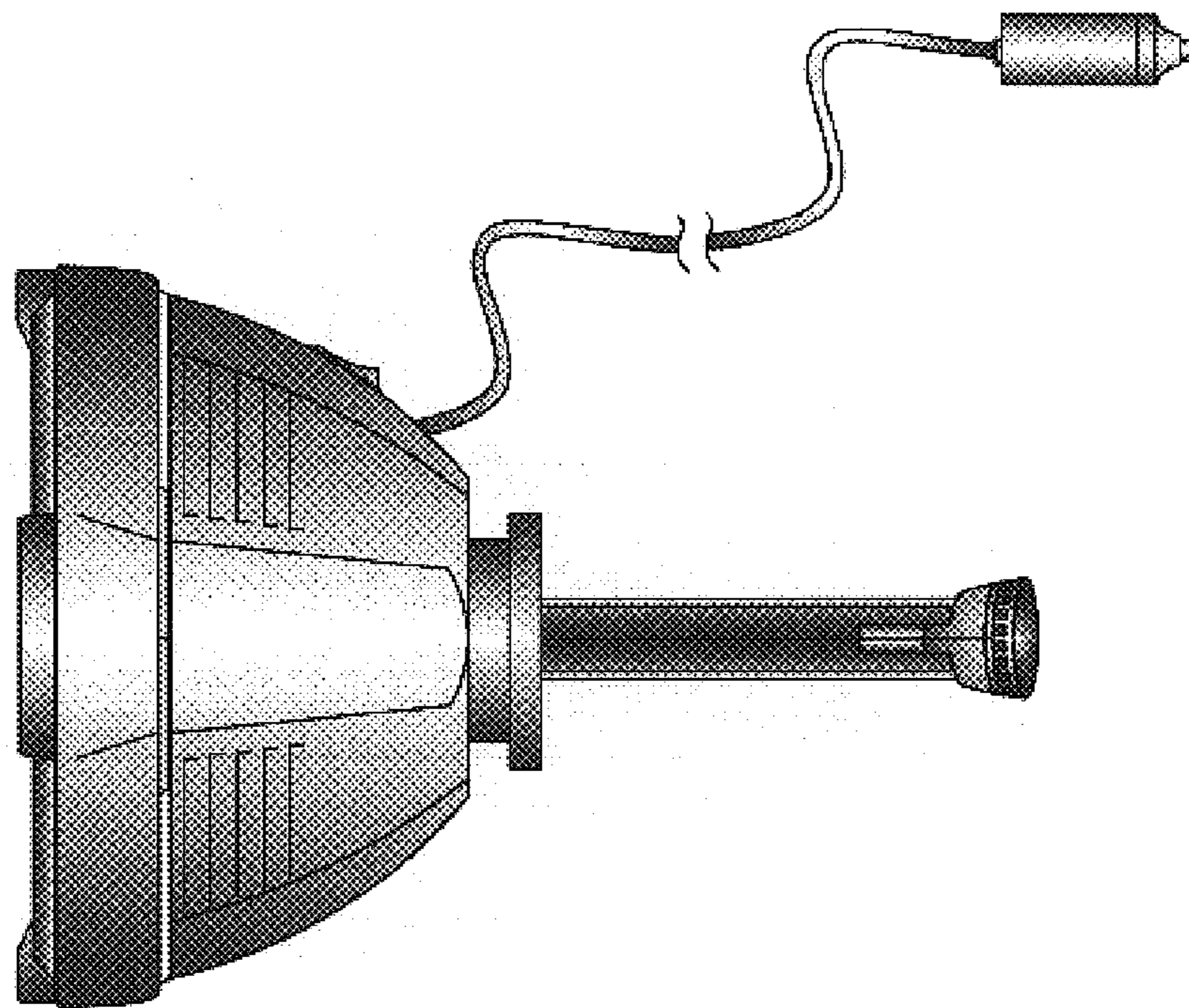


Fig. 4

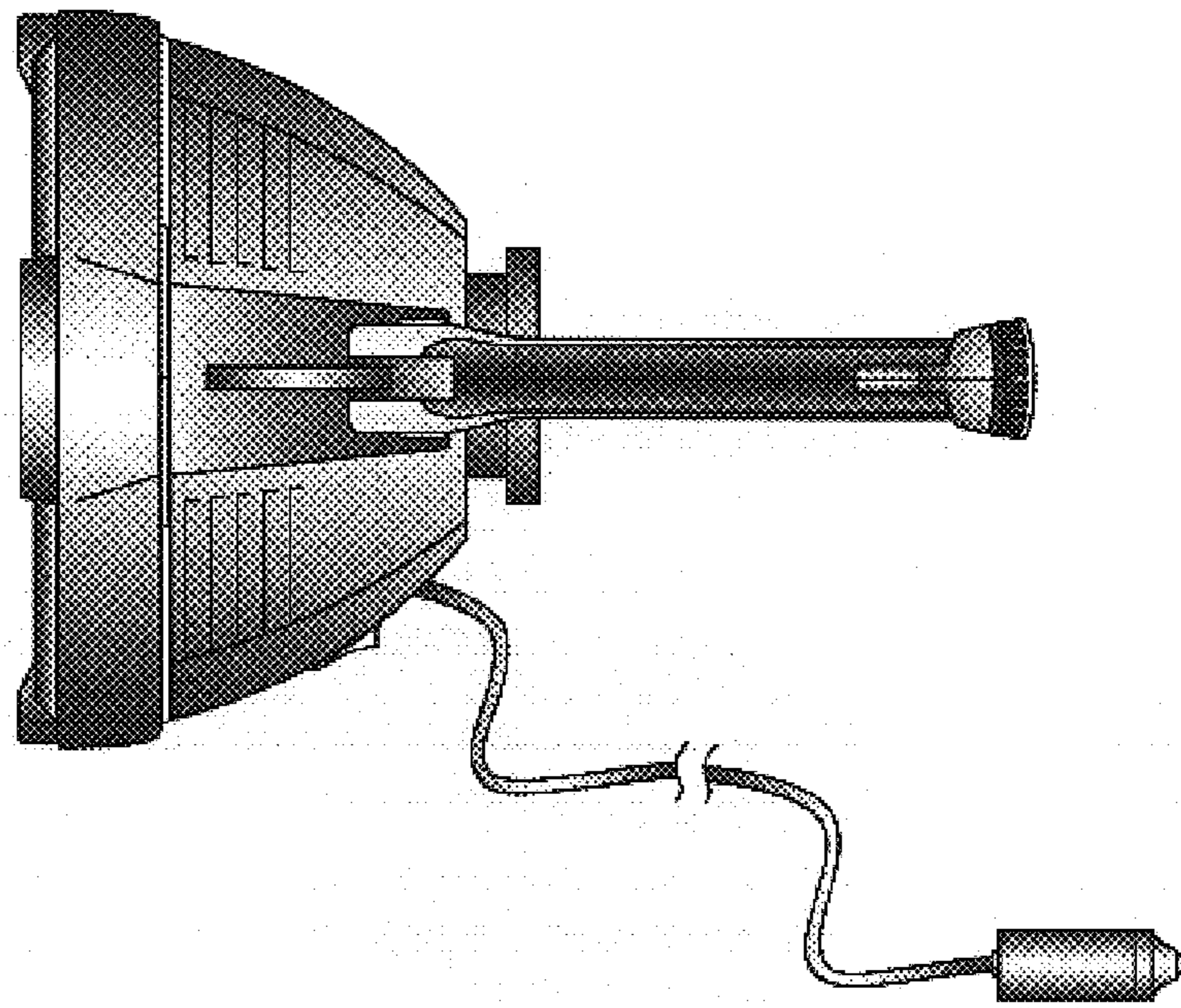


Fig. 5

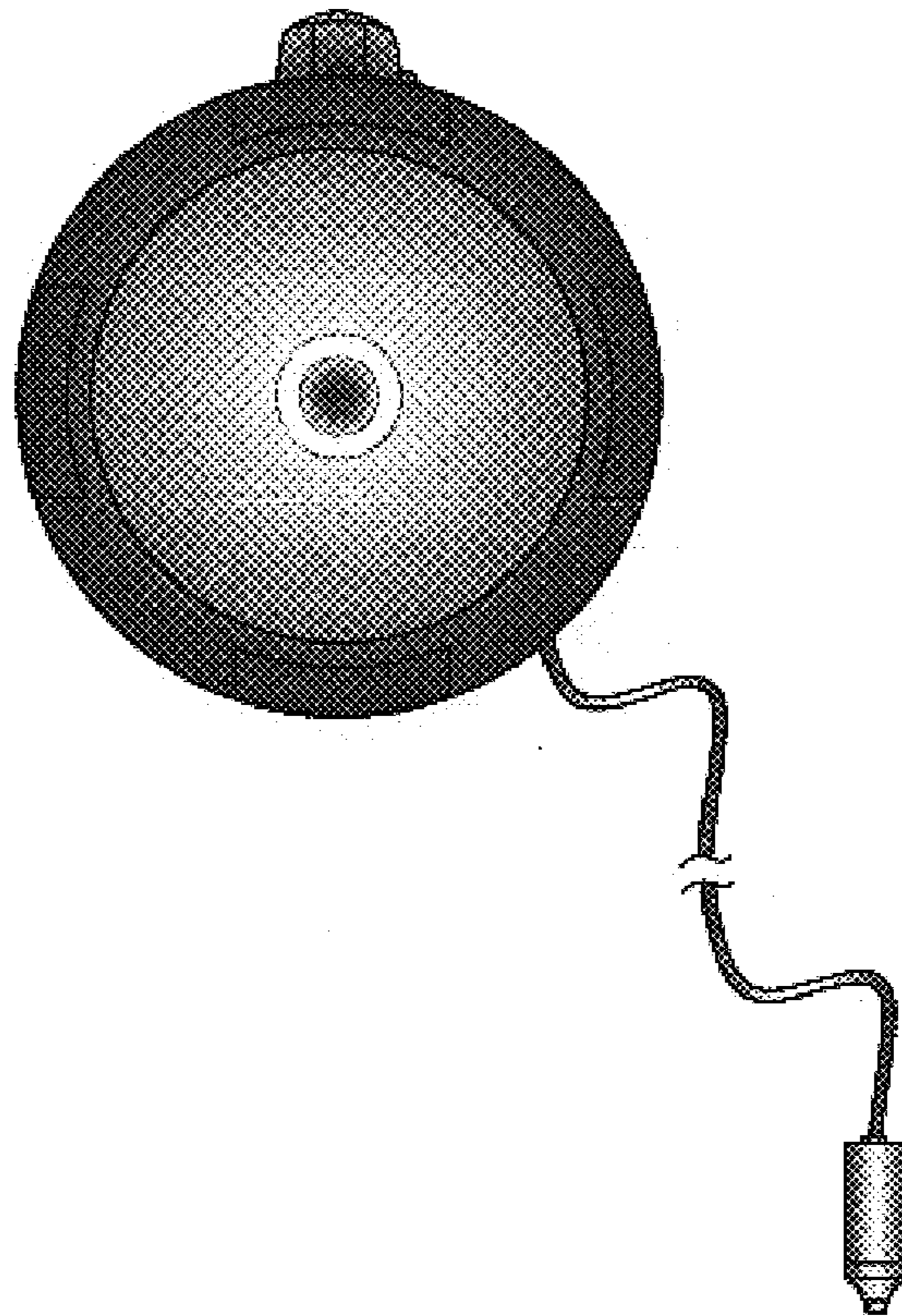


Fig. 6

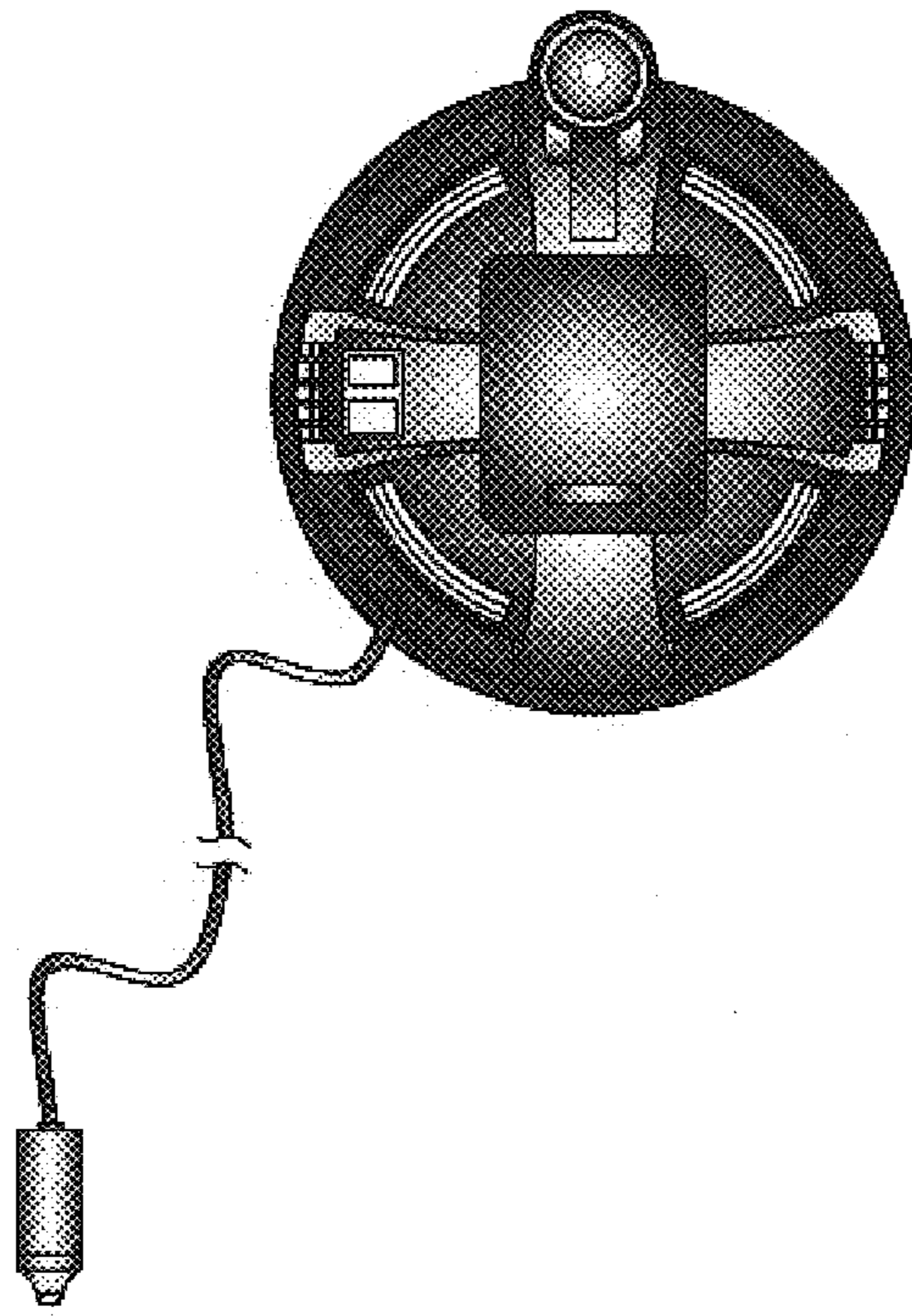


Fig. 7

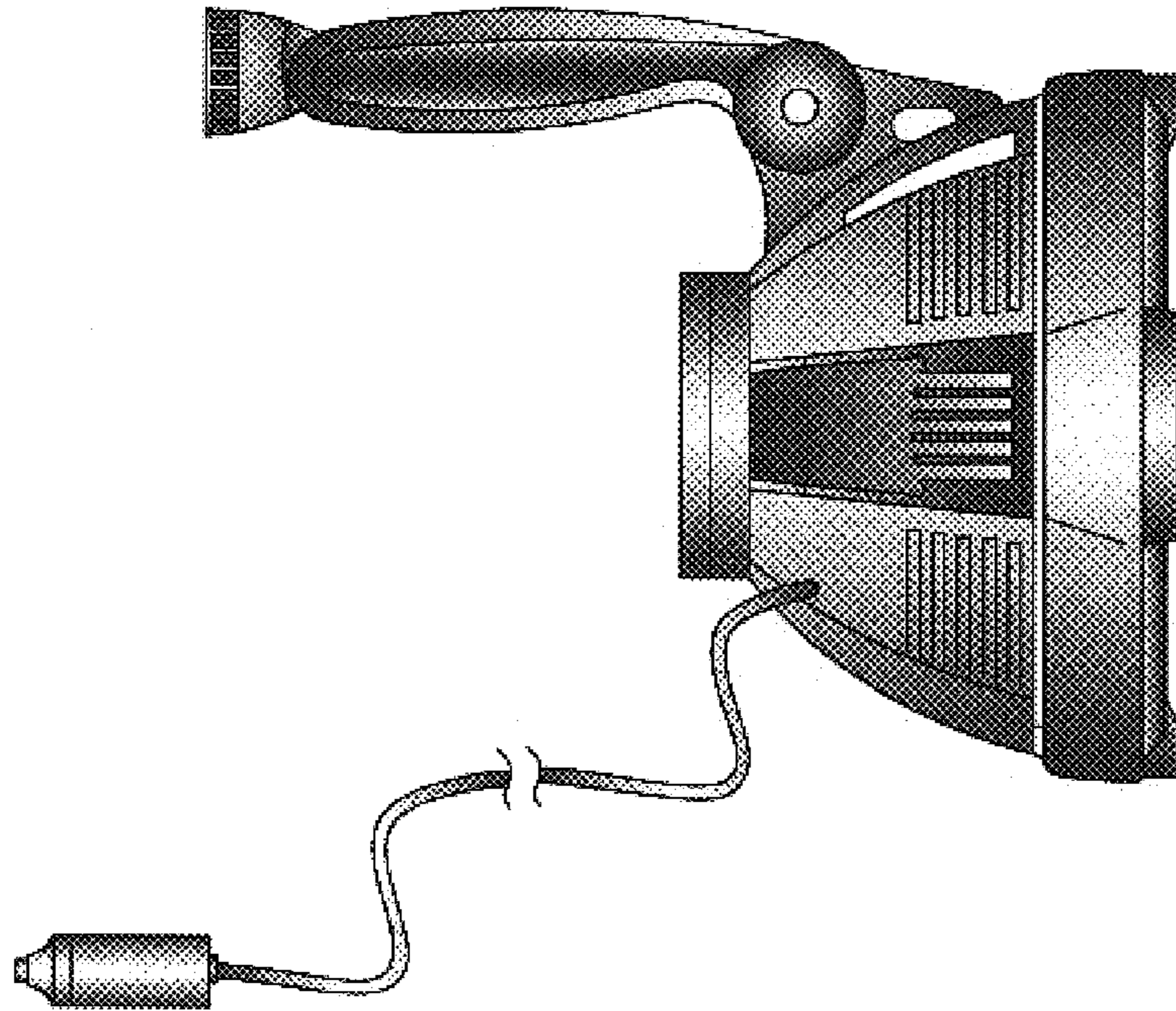


Fig. 8

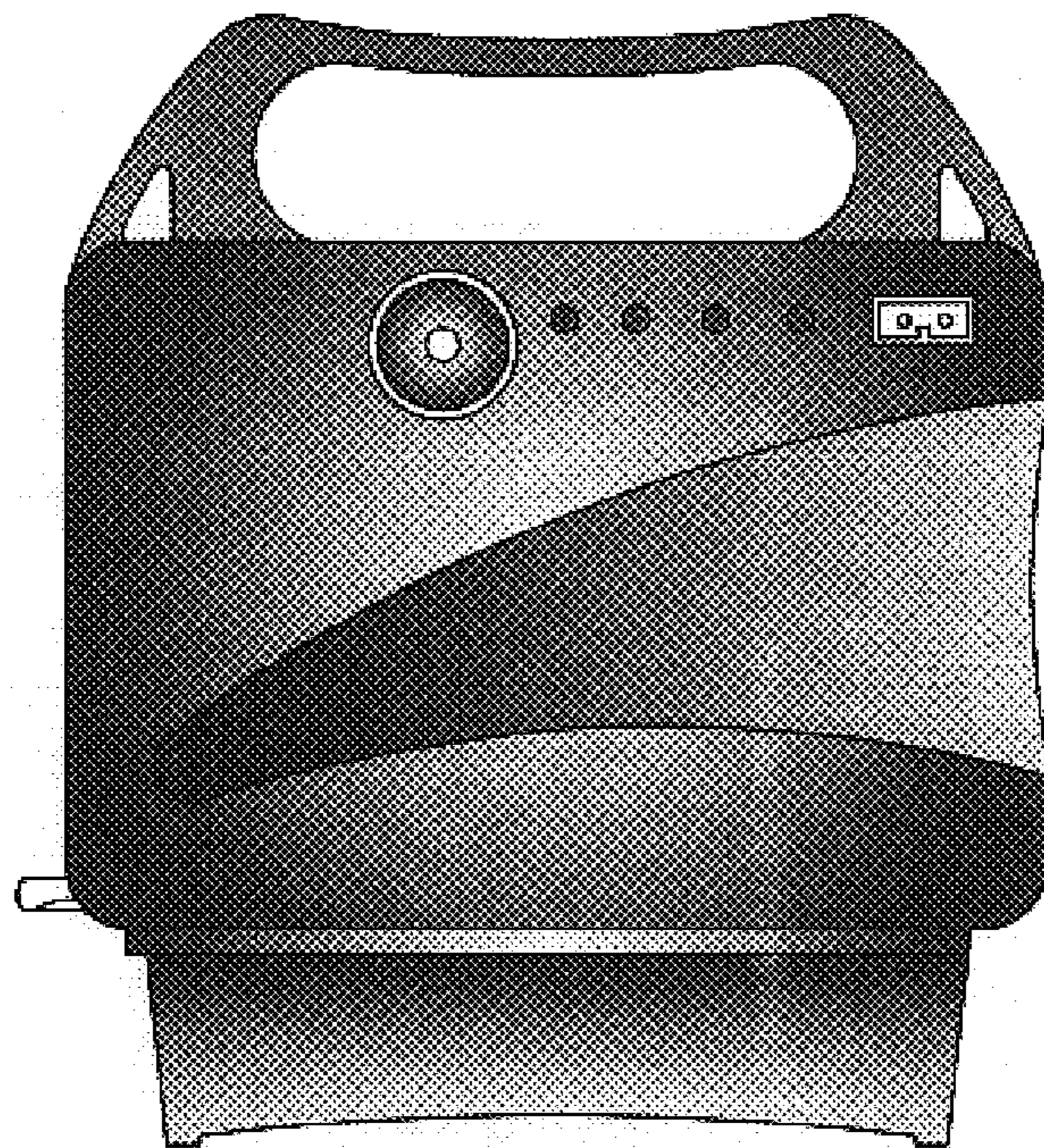


Fig. 9

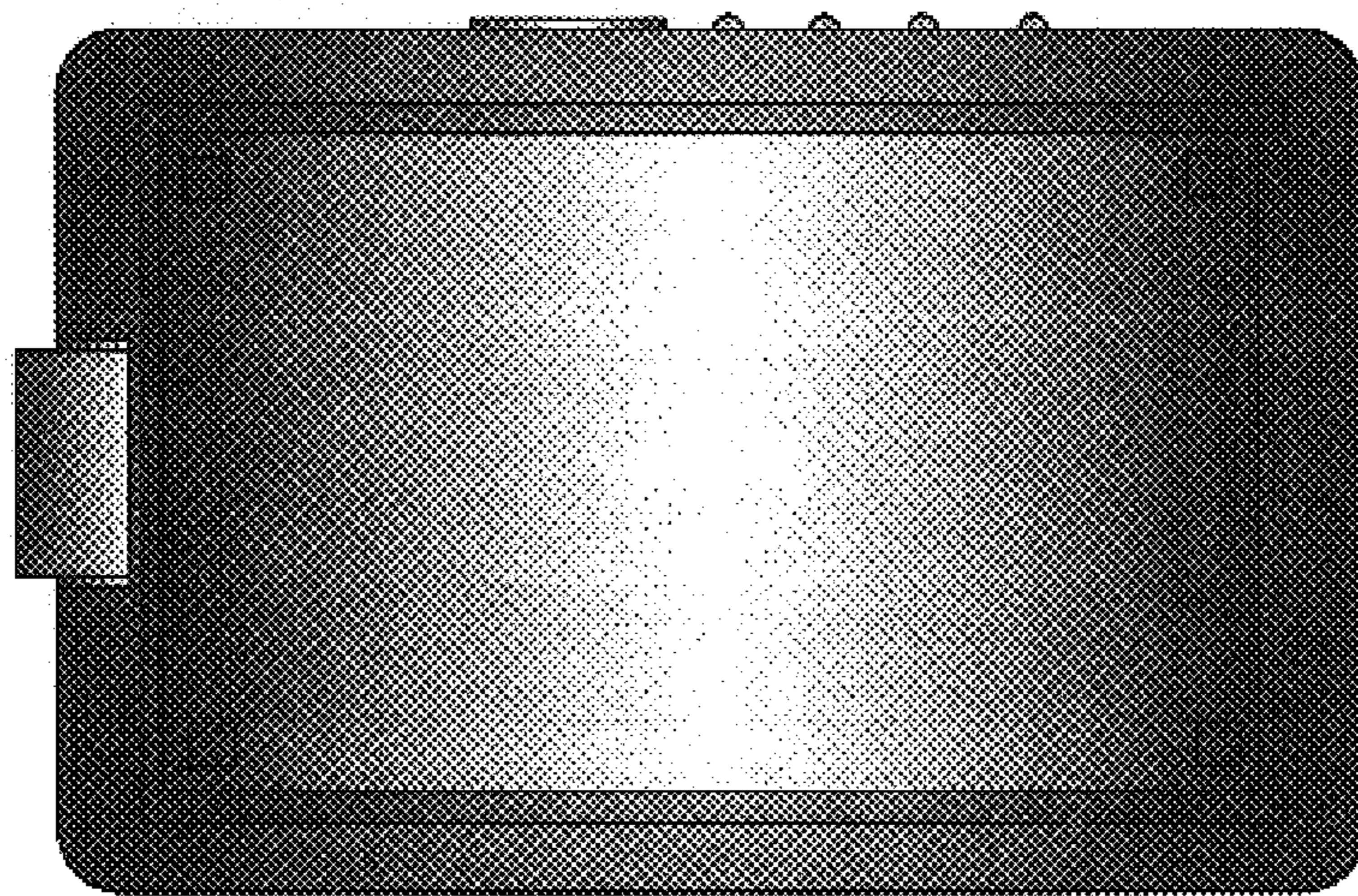


Fig. 10

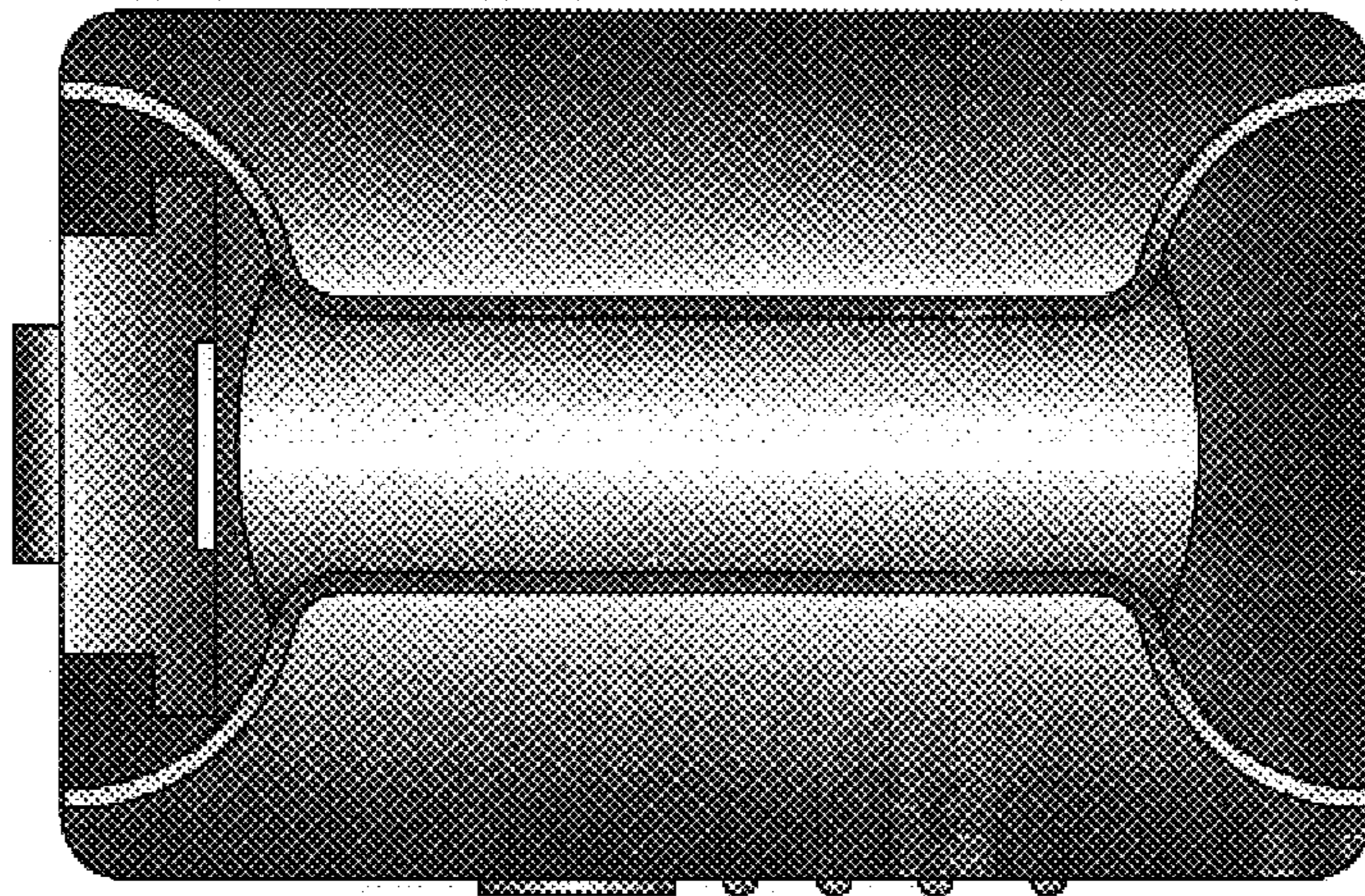


Fig. 11

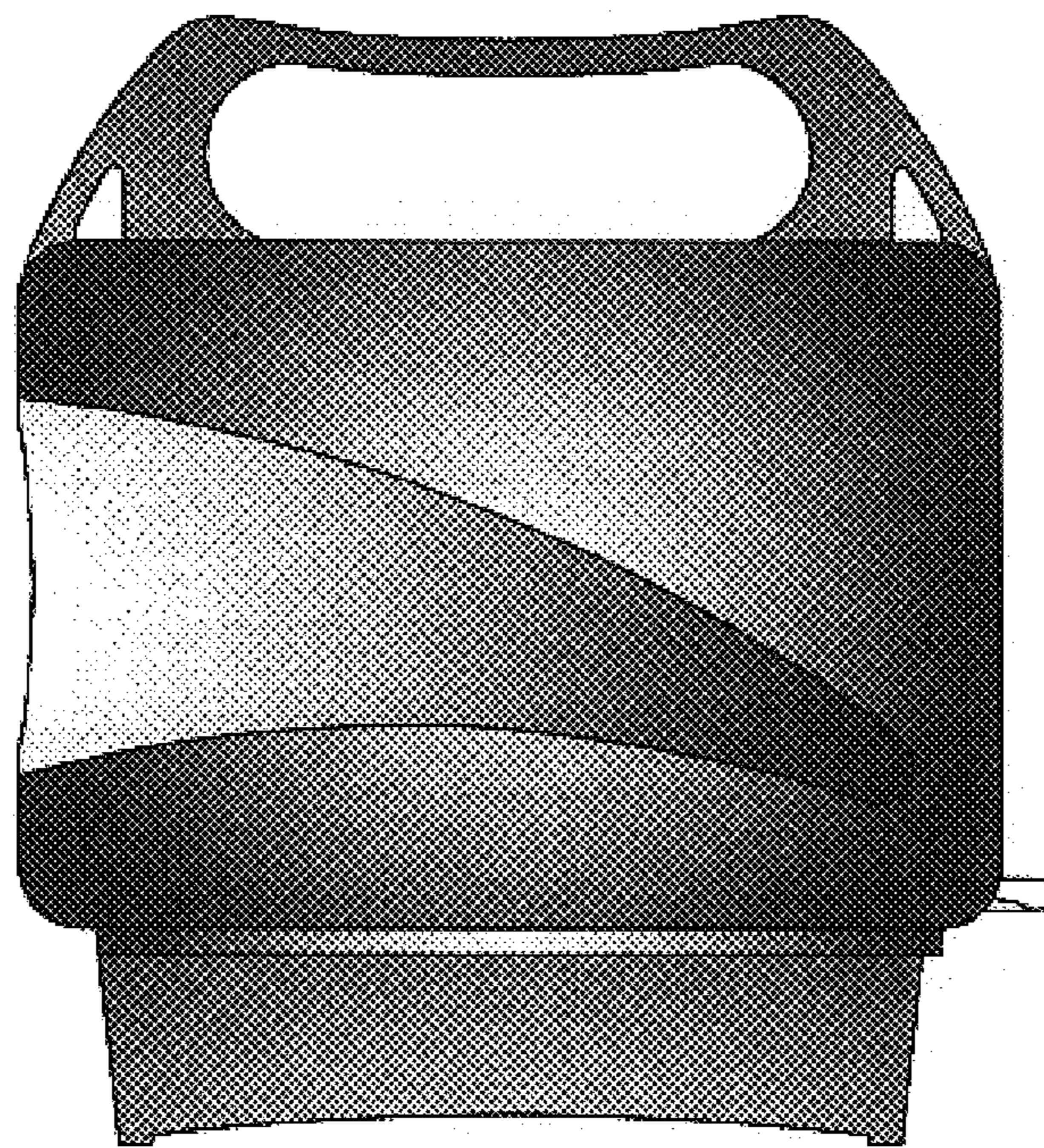


Fig. 12

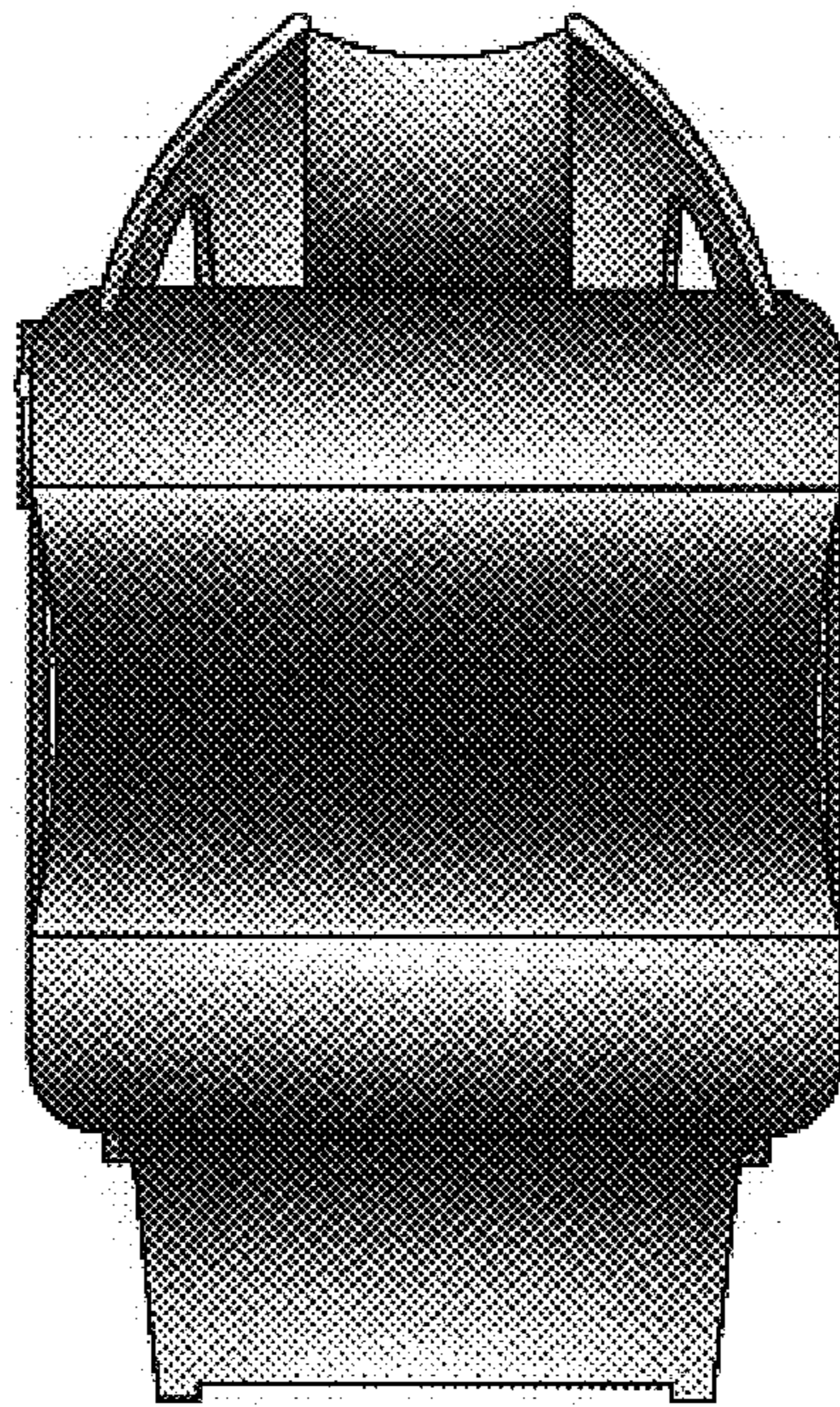


Fig. 13

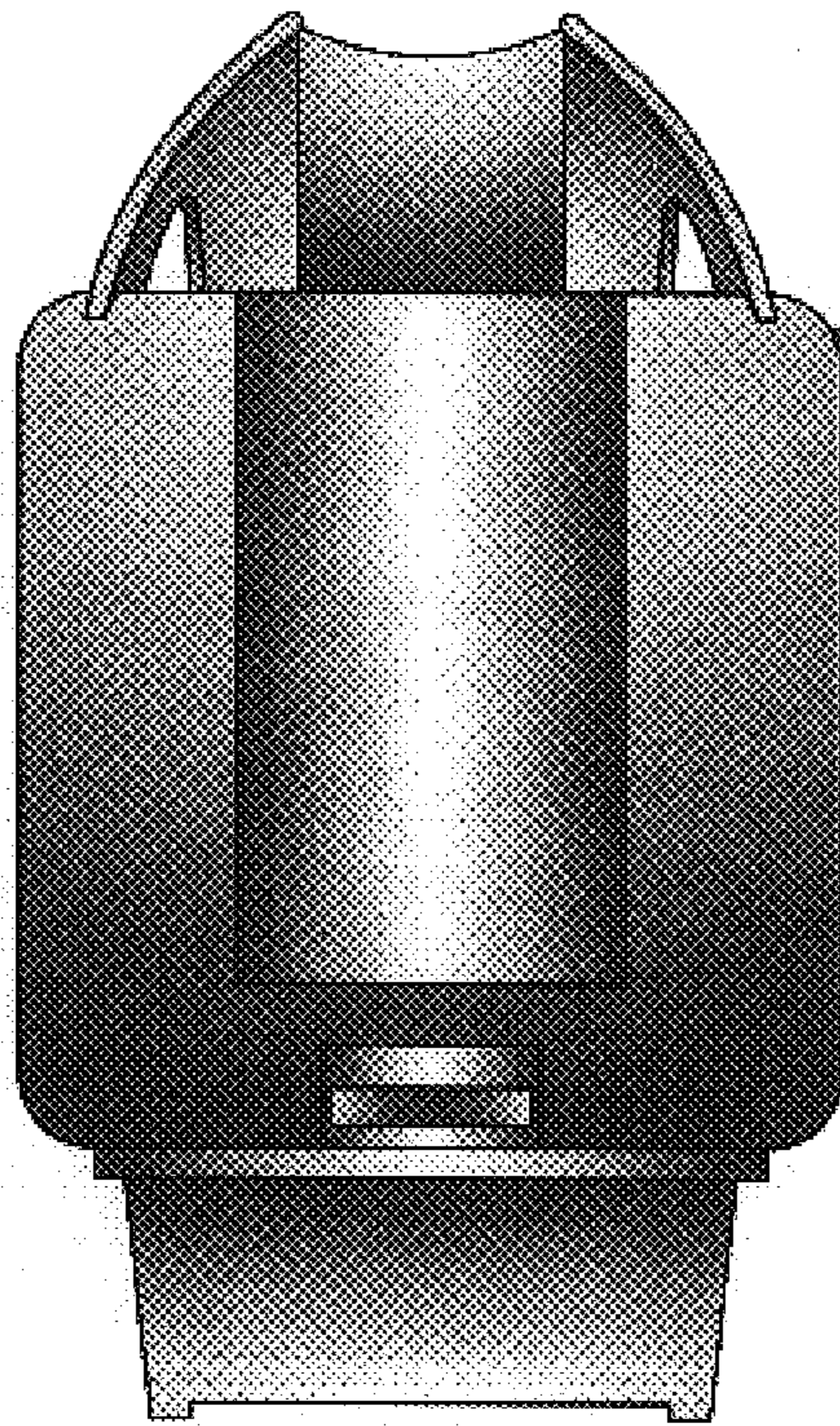


Fig. 14

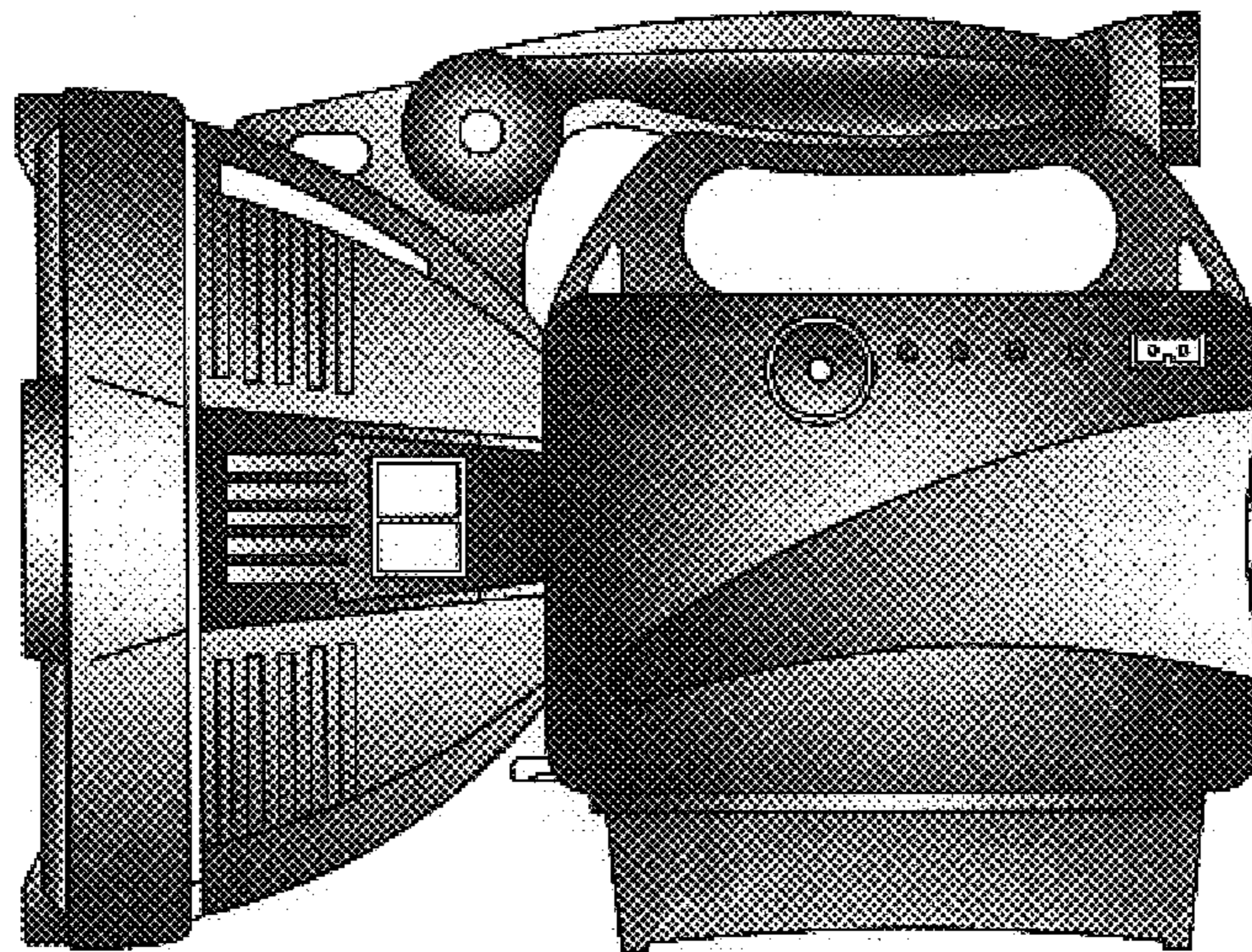


Fig. 15

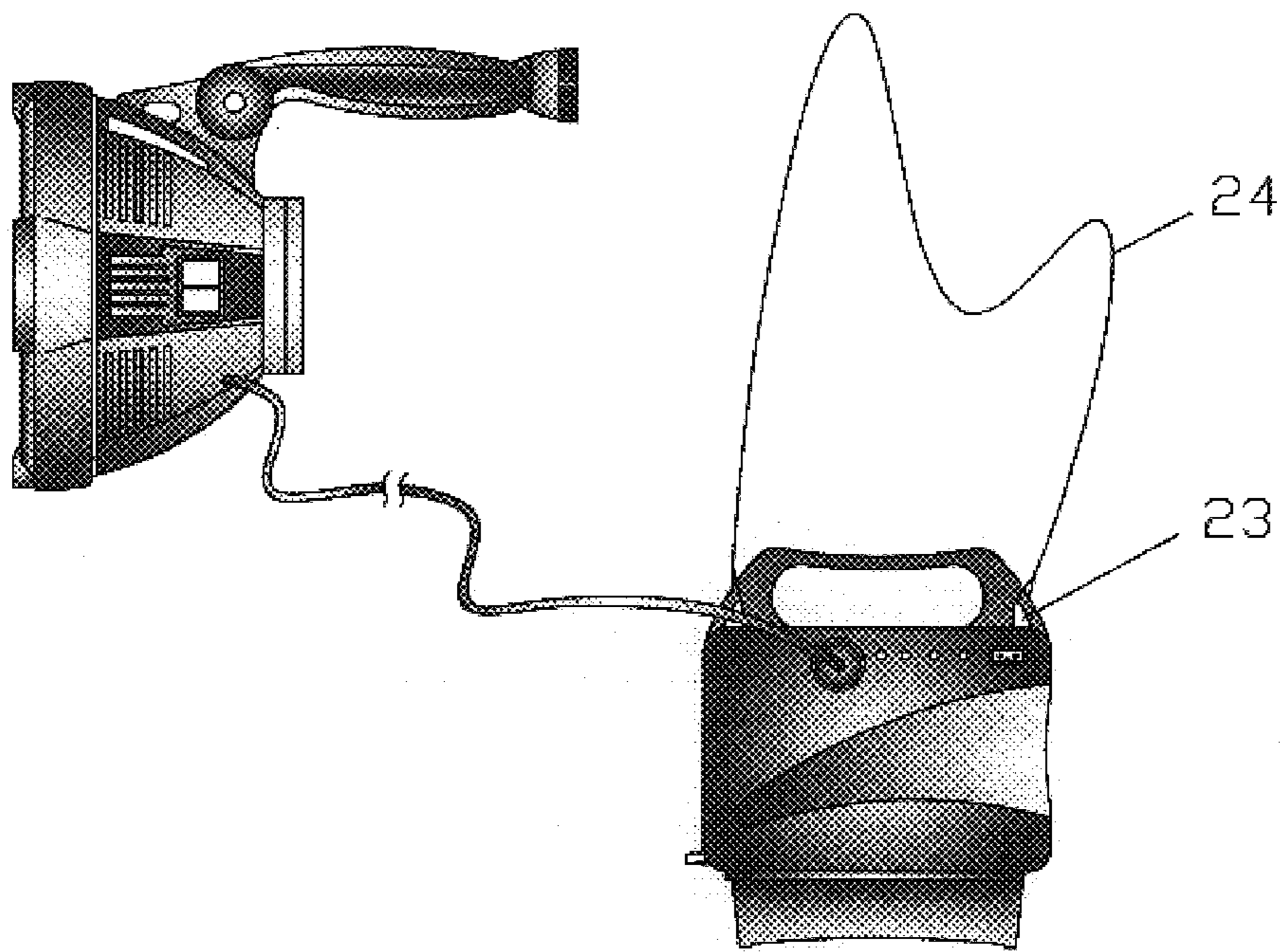


Fig. 16