

US00D512168S

(12) **United States Design Patent**
Suzuki

(10) **Patent No.:** **US D512,168 S**

(45) **Date of Patent:** **** Nov. 29, 2005**

(54) **ELECTRIC TORCH**

D501,054 S * 1/2005 Galli D26/37

(75) Inventor: **Hitoshi Suzuki**, Hachioji (JP)

* cited by examiner

(73) Assignee: **Kabushiki Kaisha Hiromori**, Tokyo (JP)

Primary Examiner—Marcus A. Jackson

(74) *Attorney, Agent, or Firm*—Robert M. Downey, P.A.

(**) Term: **14 Years**

(57) **CLAIM**

The ornamental design for an electric torch, as shown and described.

(21) Appl. No.: **29/216,347**

(22) Filed: **Nov. 1, 2004**

DESCRIPTION

(51) **LOC (8) Cl.** **26-02**

FIG. 1 is a front top perspective view of an electric torch showing my new design;

(52) **U.S. Cl.** **D26/37**

FIG. 2 is a right side elevational view thereof;

(58) **Field of Search** D26/37-50; 362/157, 362/158, 171-174, 183-208

FIG. 3 is a left side elevational view thereof;

FIG. 4 is a top plan view thereof;

FIG. 5 is a bottom plan view thereof;

FIG. 6 is a front elevational view thereof; and,

FIG. 7 is a rear elevational view thereof.

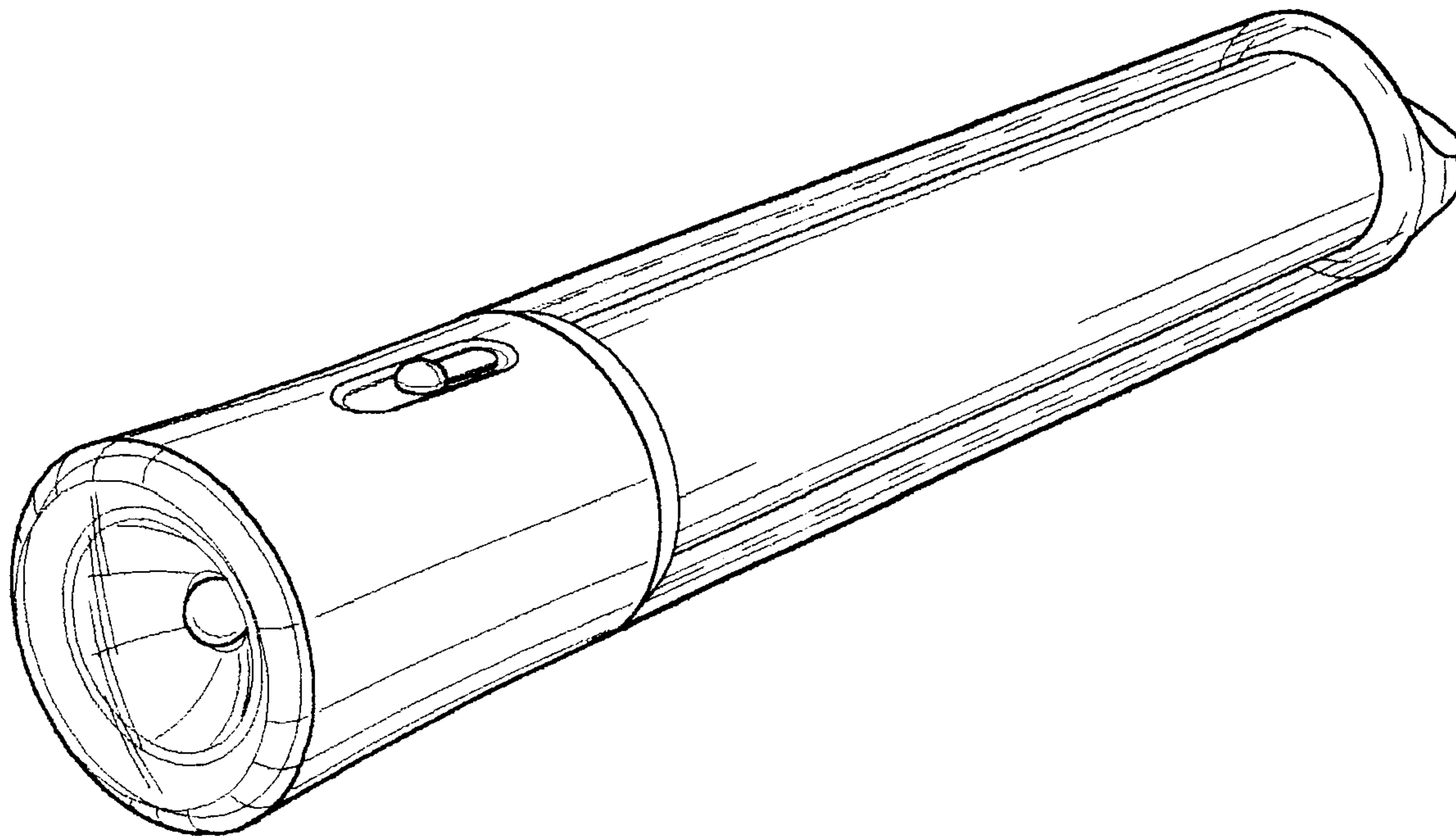
(56) **References Cited**

U.S. PATENT DOCUMENTS

D476,103 S * 6/2003 Galli D26/37

D497,445 S * 10/2004 Chan D26/37

1 Claim, 2 Drawing Sheets



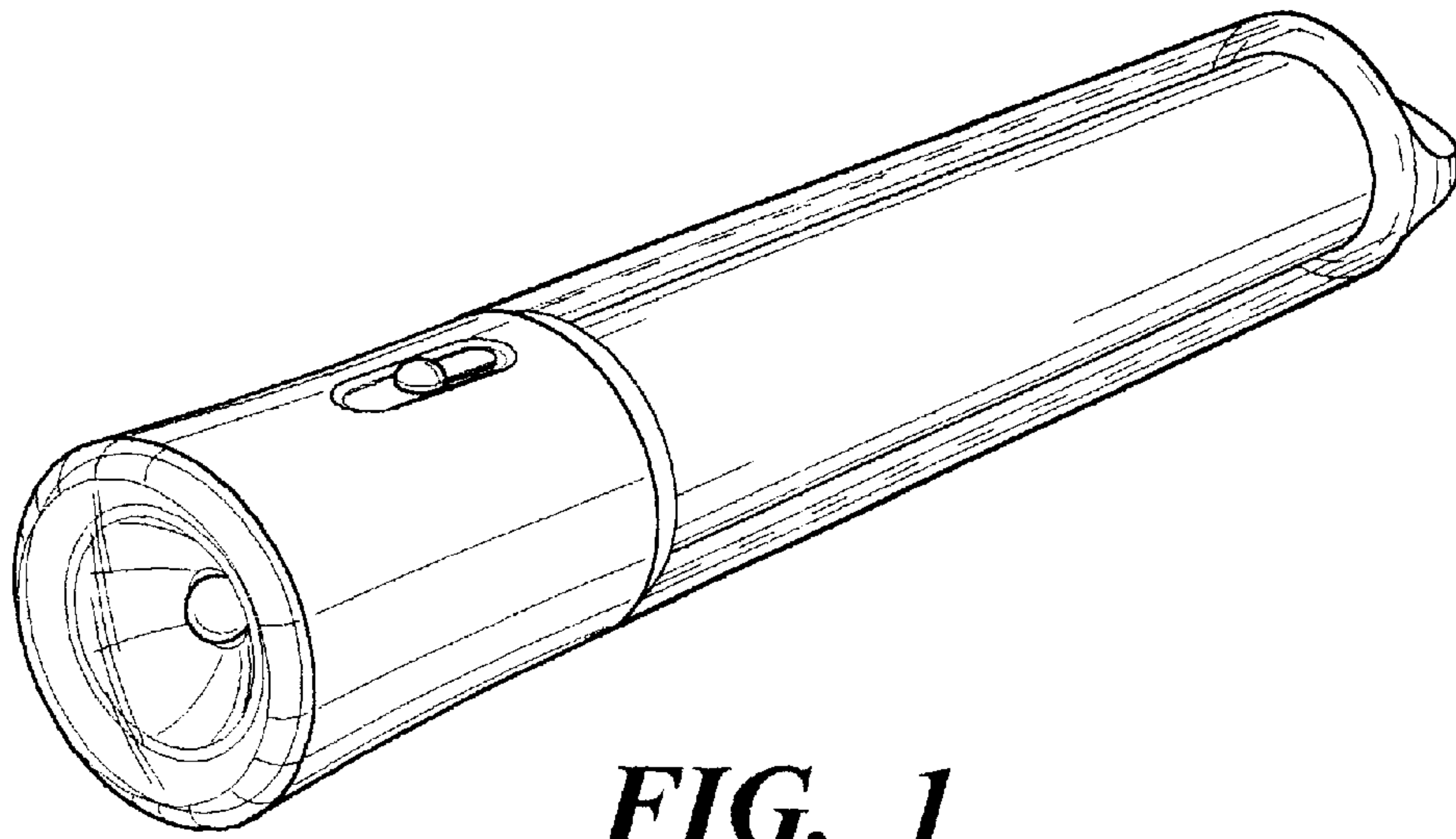


FIG. 1

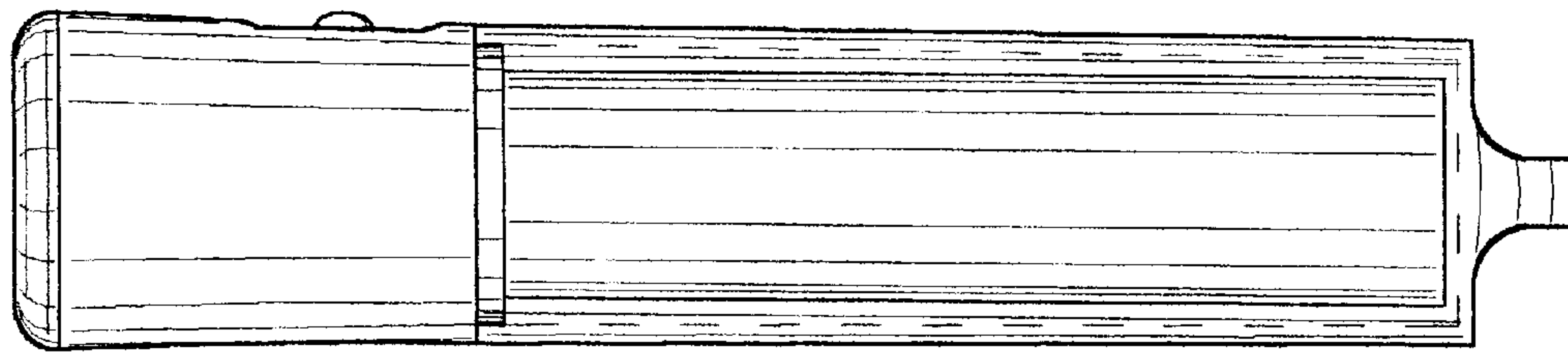


FIG. 2

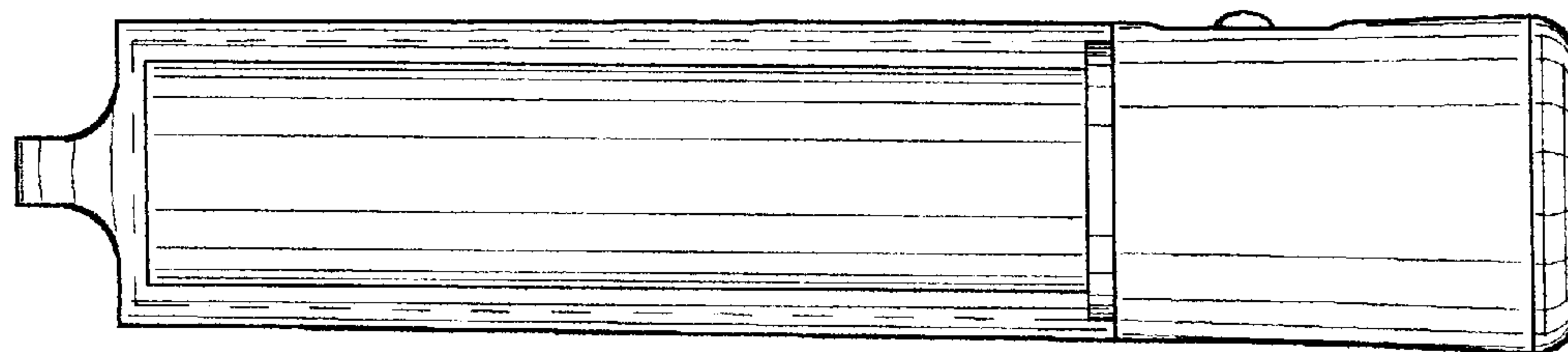


FIG. 3

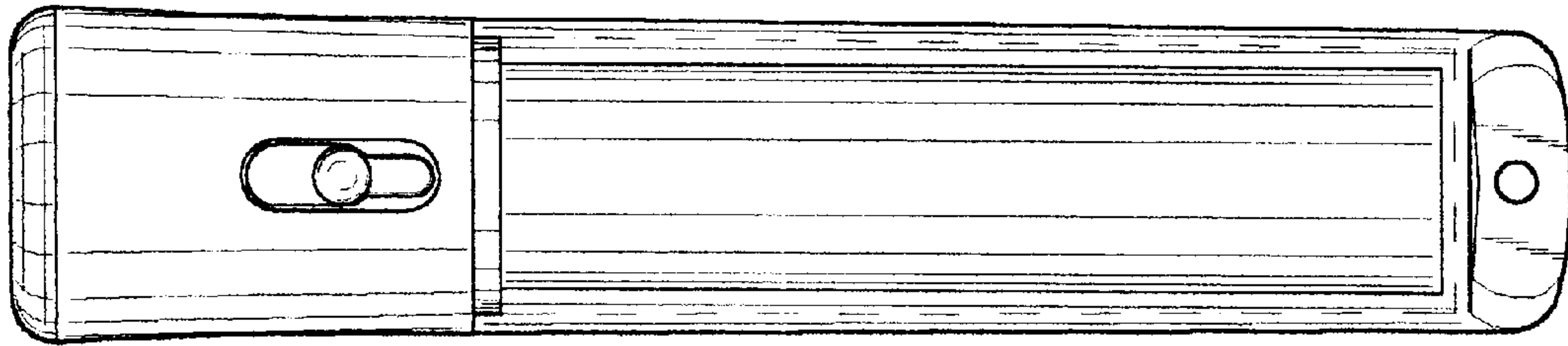


FIG. 4

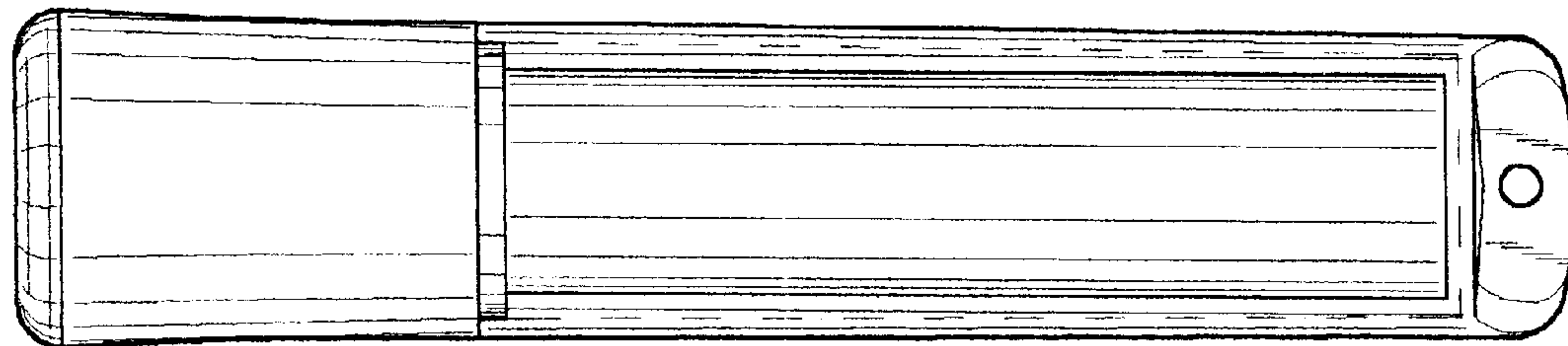


FIG. 5

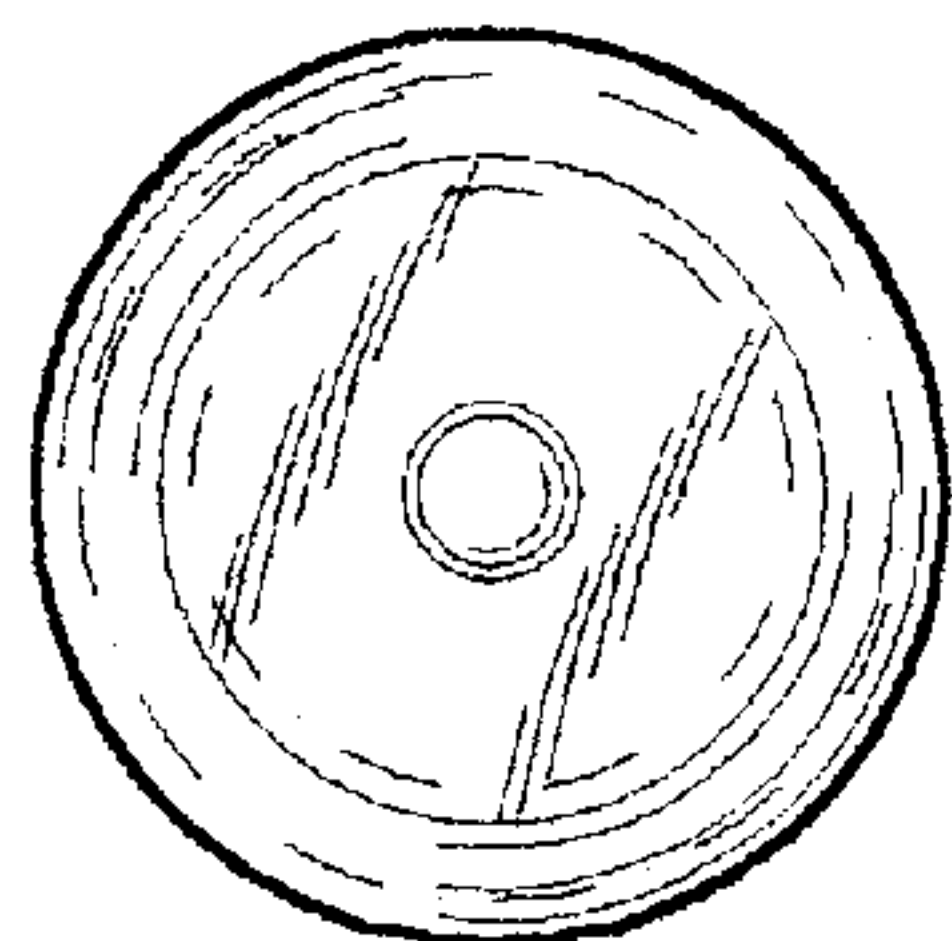


FIG. 6

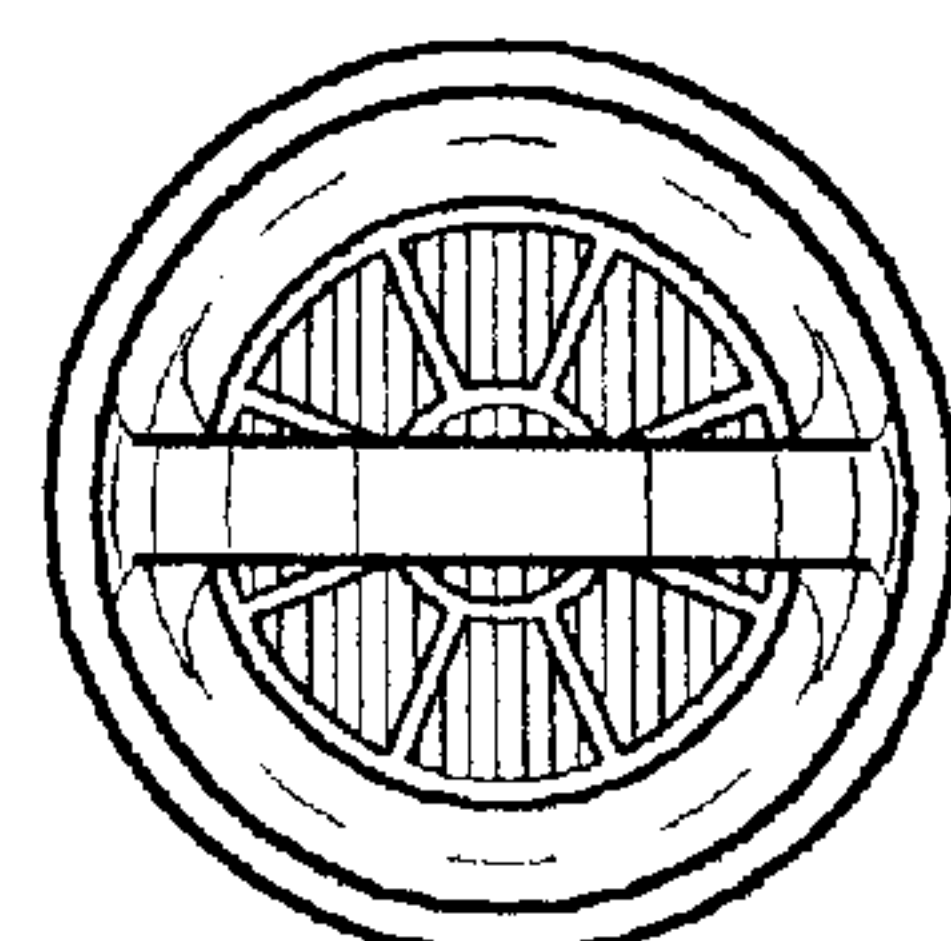


FIG. 7